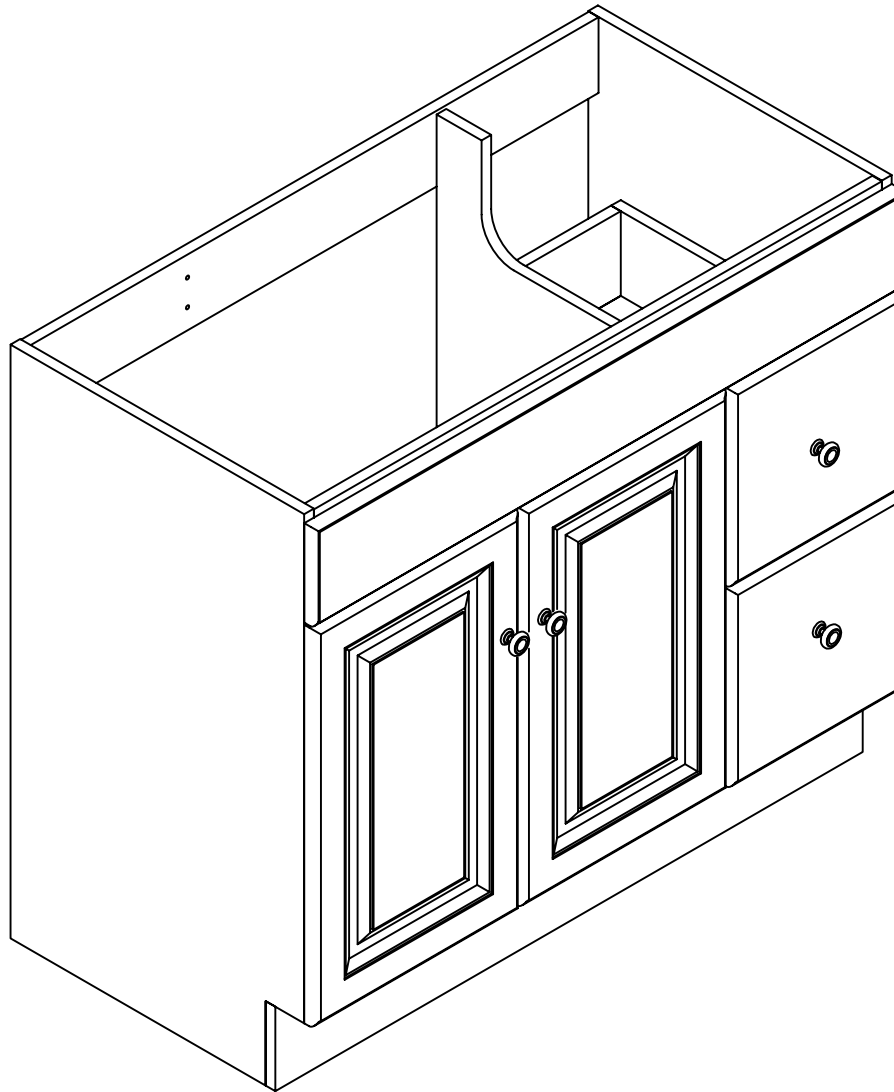




www.todaysdesignhouse.com

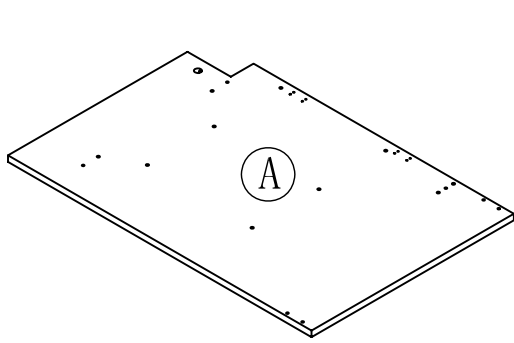


545178 • 545186

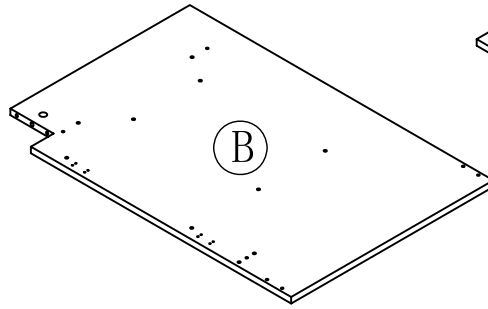
# ASSEMBLY INSTRUCTIONS

DHI Corp. • 5205 W. Donges Bay Rd. • Mequon, WI 53092 • 800.558.8700

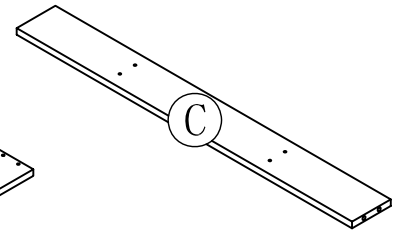
# PARTS LIST:



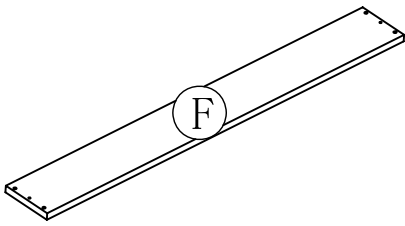
LEFT SIDE PANEL 1PC



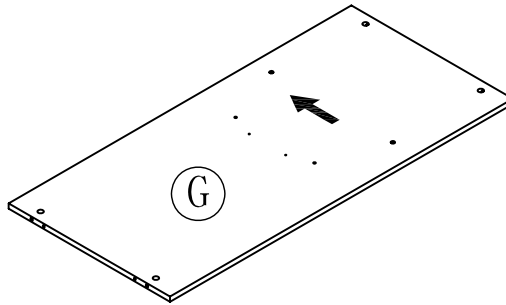
RIGHT SIDE PANEL 1PC



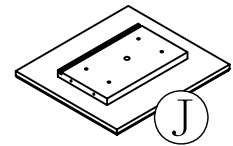
BACK CROSS BRACE 1PC



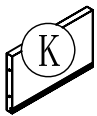
TOE KICK PANEL 1PC



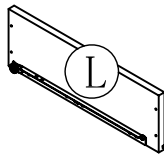
BOTTOM PANEL 1PC



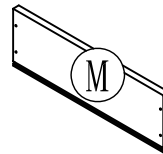
DRAWER FRONT PANEL 2PCS



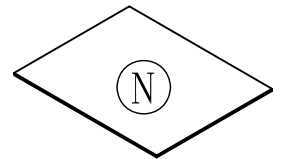
DRAWER BACK PANEL  
2PCS



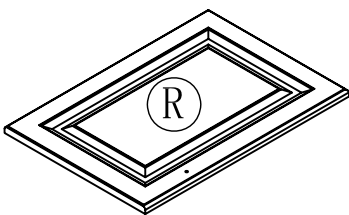
DRAWER LEFT SIDE  
PANEL 2PCS



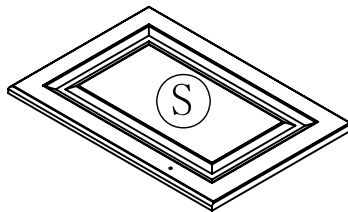
DRAWER RIGHT SIDE  
PANEL 2PCS



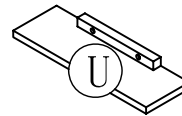
DRAWER BOTTOM  
PANEL 2PCS



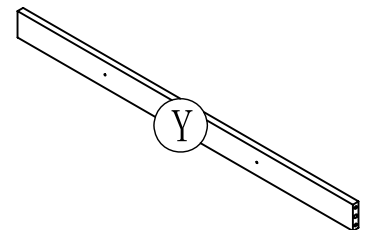
RIGHT SIDE DOOR 1PC



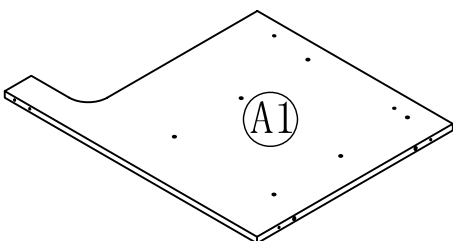
LEFT SIDE DOOR 1PC



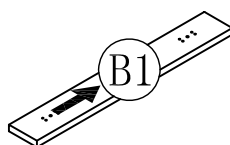
FIXED PANEL 1PC



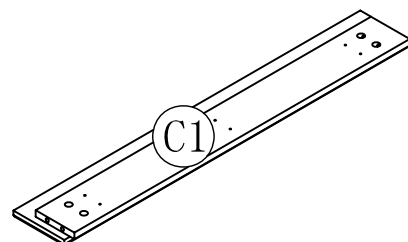
FRONT CROSS BRACE 1PC



BIG PARTITION 1PC



SMALL PARTITION 1PC

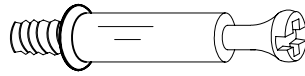


FALSE DRAWER FRONT 1PC

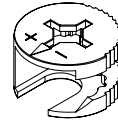
# HARDWARE LIST:



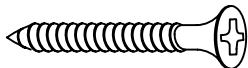
a. WOOD DOWEL 16PCS



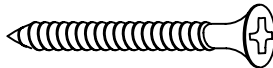
b. CAM LOCK SCREW  
16PCS



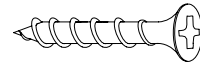
c. CAM LOCK 16PCS



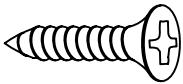
d. 1" L WOOD SCREW 6PCS



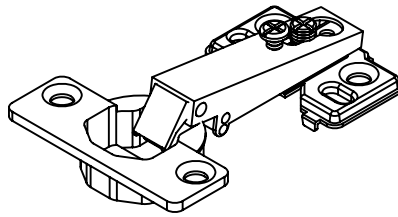
e. 1-1/2" L WOOD  
SCREW 19PCS



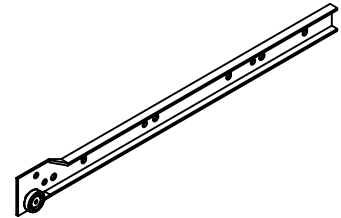
f. 5/8" L FLAT HEAD  
SCREW 24PCS



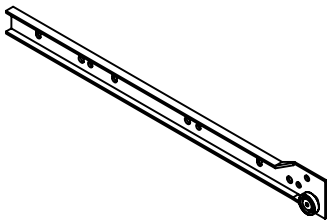
g. 1/2" L WOOD  
SCREW 12PCS



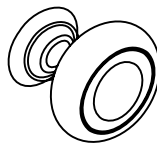
h. HINGE 4PCS



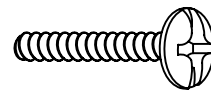
i. LEFT SIDE DRAWER  
GLIDE 2PCS



j. RIGHT SIDE DRAWER  
GLIDE 2PCS



l. KNOB 4PCS



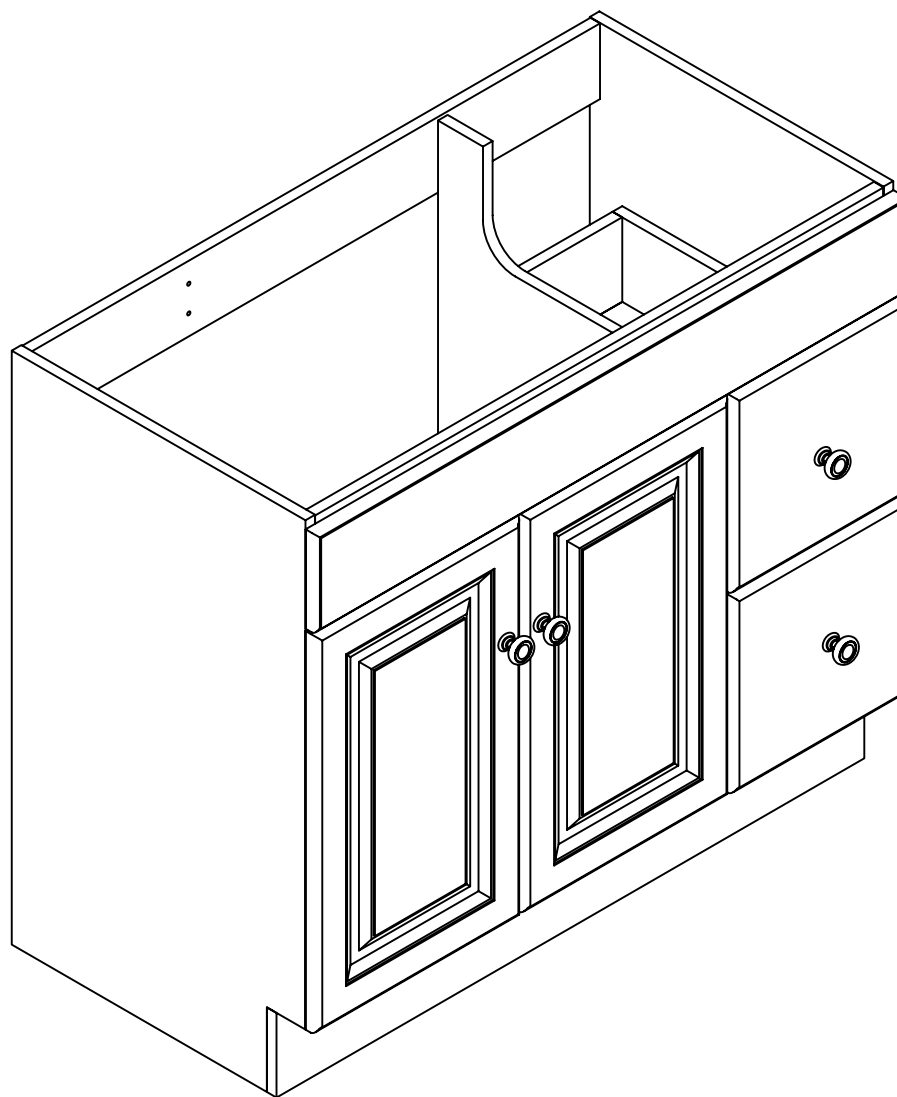
n. KNOB BOLT 4PCS



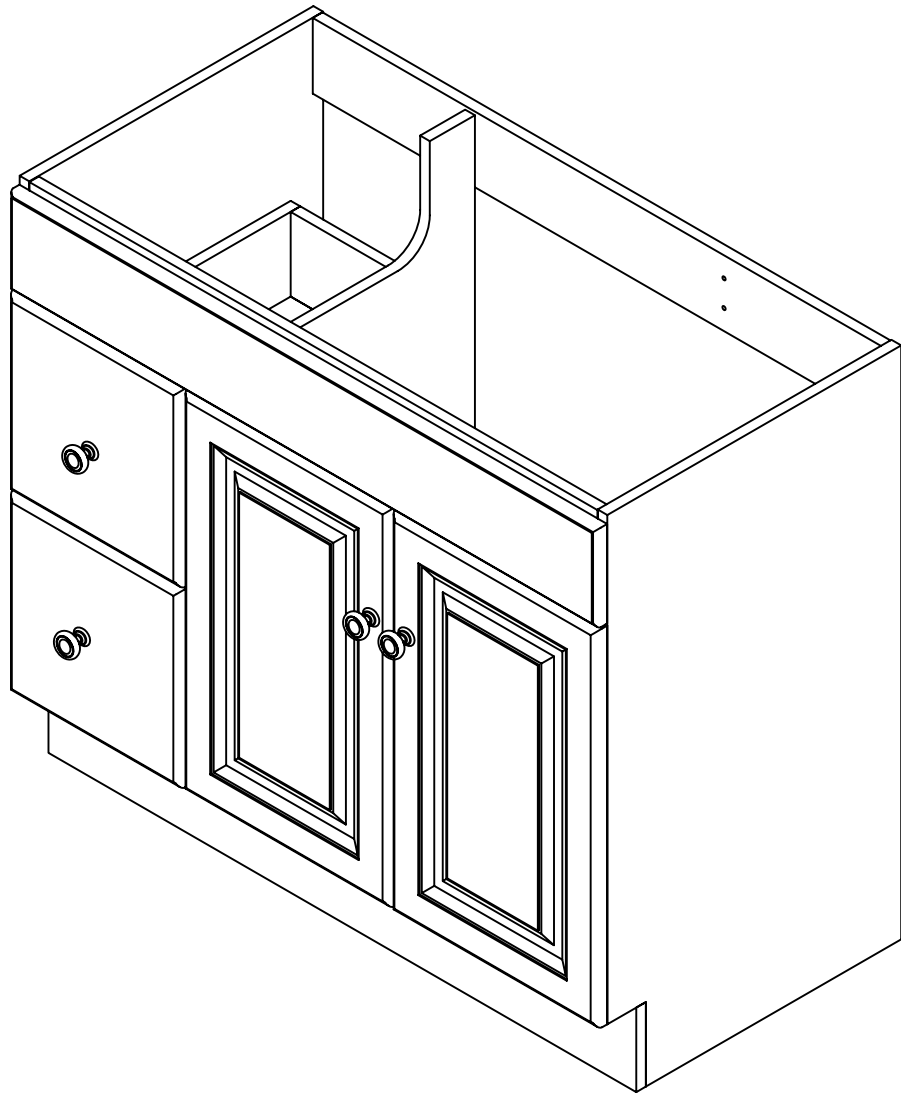
o. WRENCH 1PC



p. GLUE 1PC

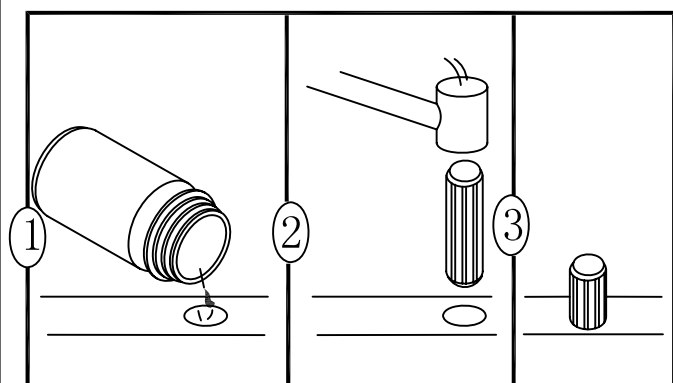
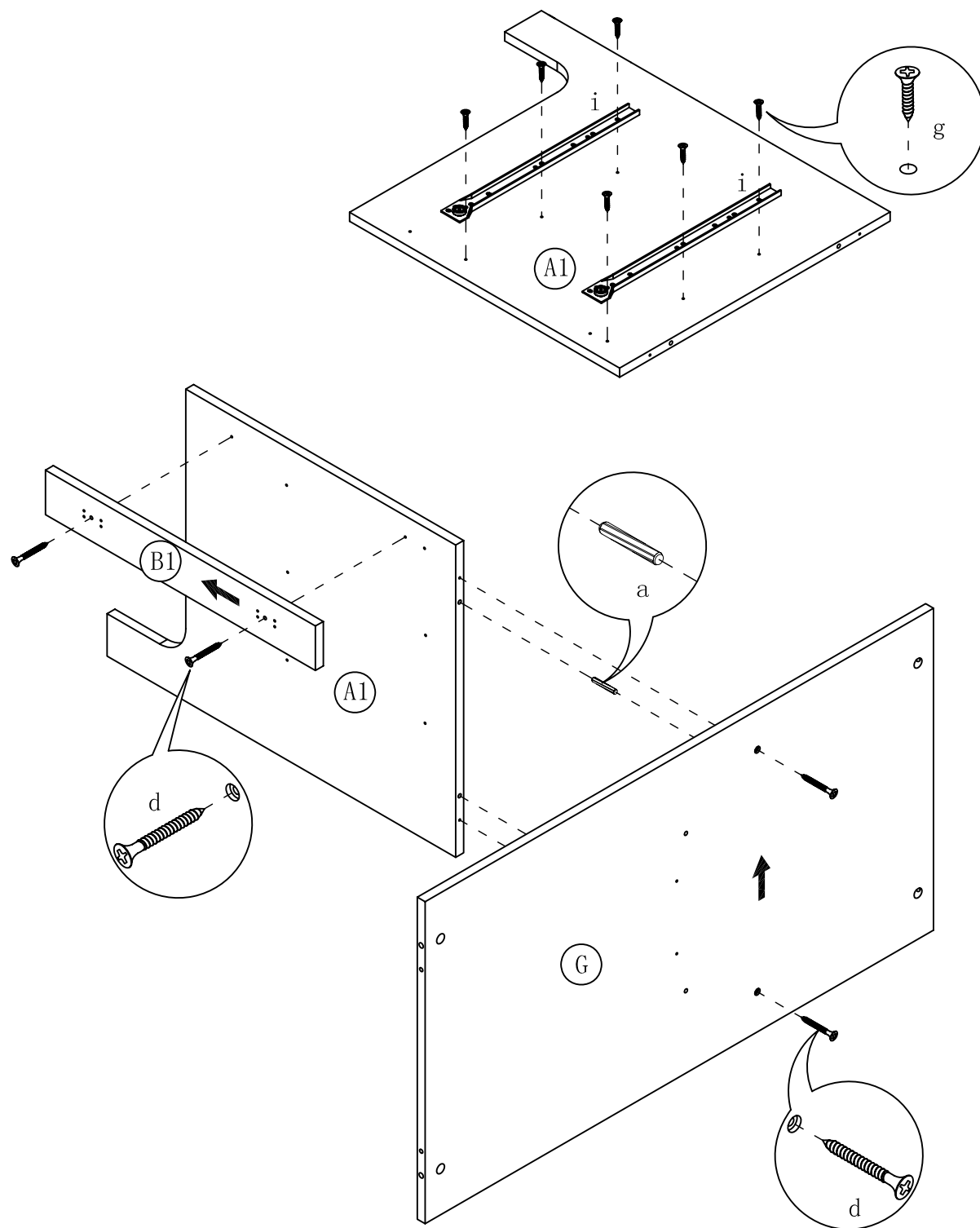


FOLLOW STEPS 1~10 TO INSTALL THE DOORS  
ON THE LEFT SIDE AND THE DRAWERS ON THE  
RIGHT SIDE

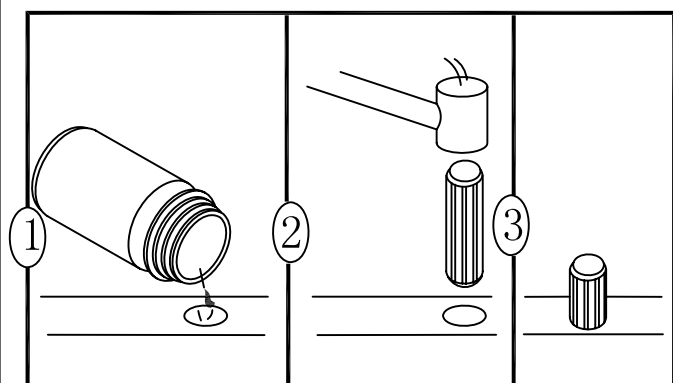
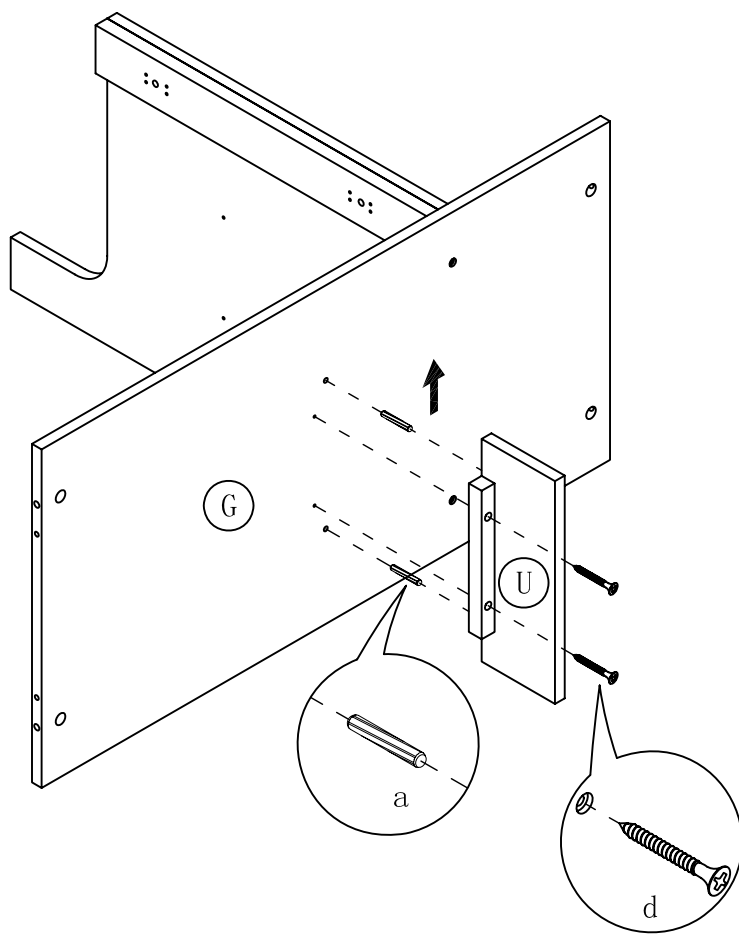


FOLLOW STEPS 11~20 TO INSTALL THE DOORS  
ON THE RIGHT SIDE AND THE DRAWERS ON THE  
LEFT SIDE

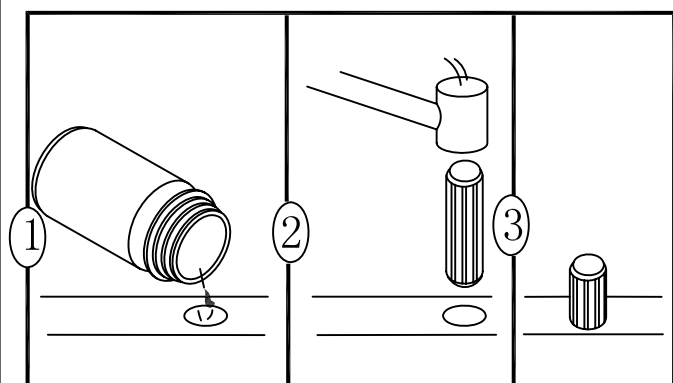
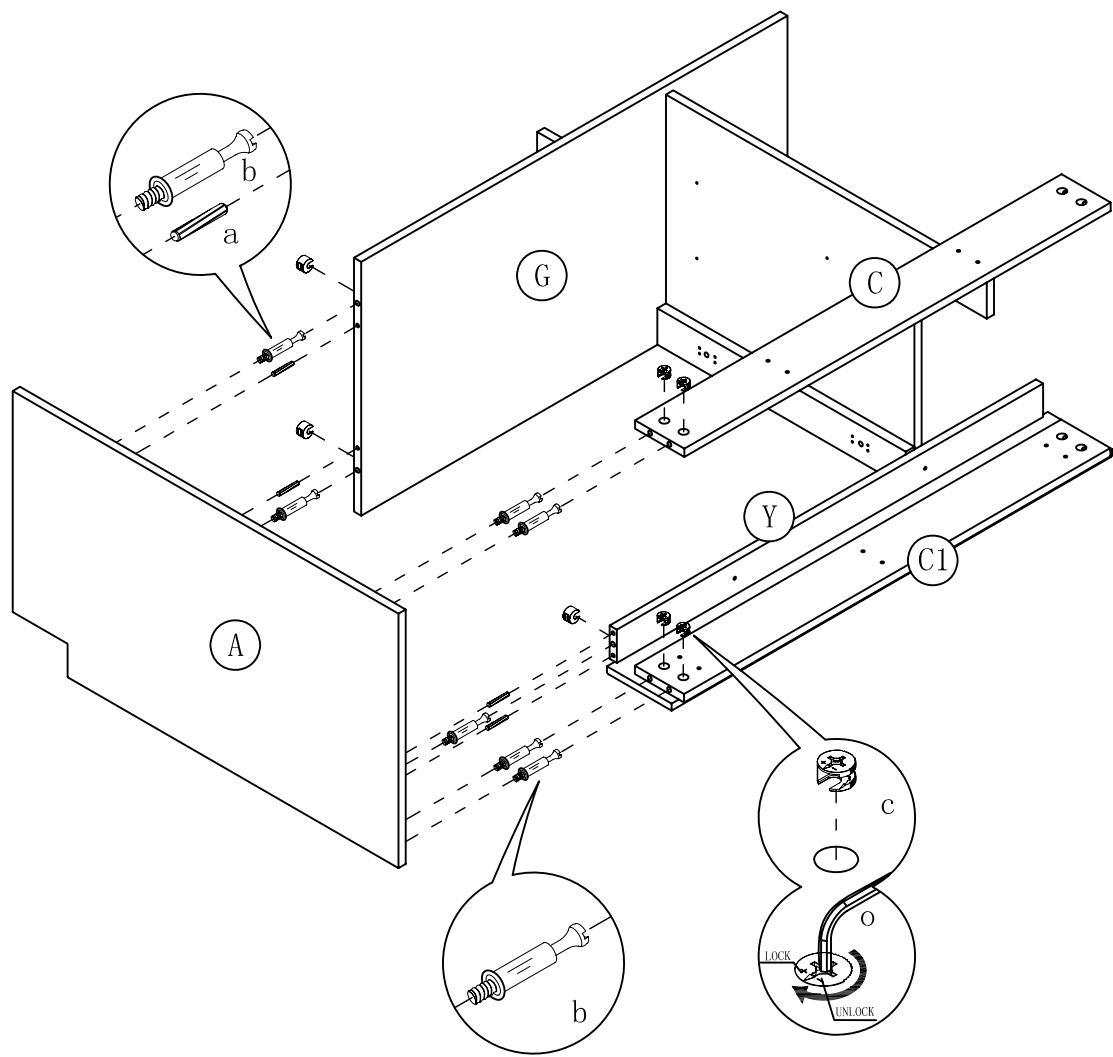
# STEP 1



# STEP 2

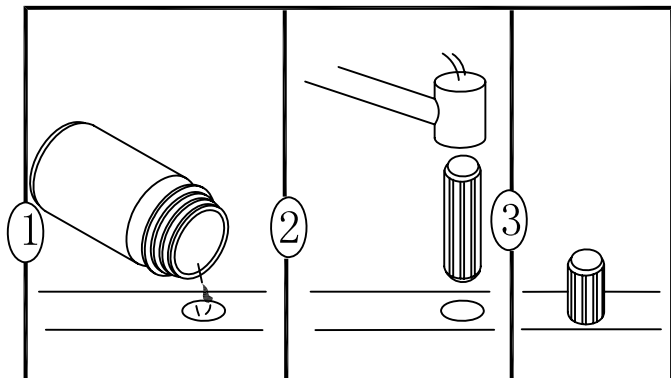
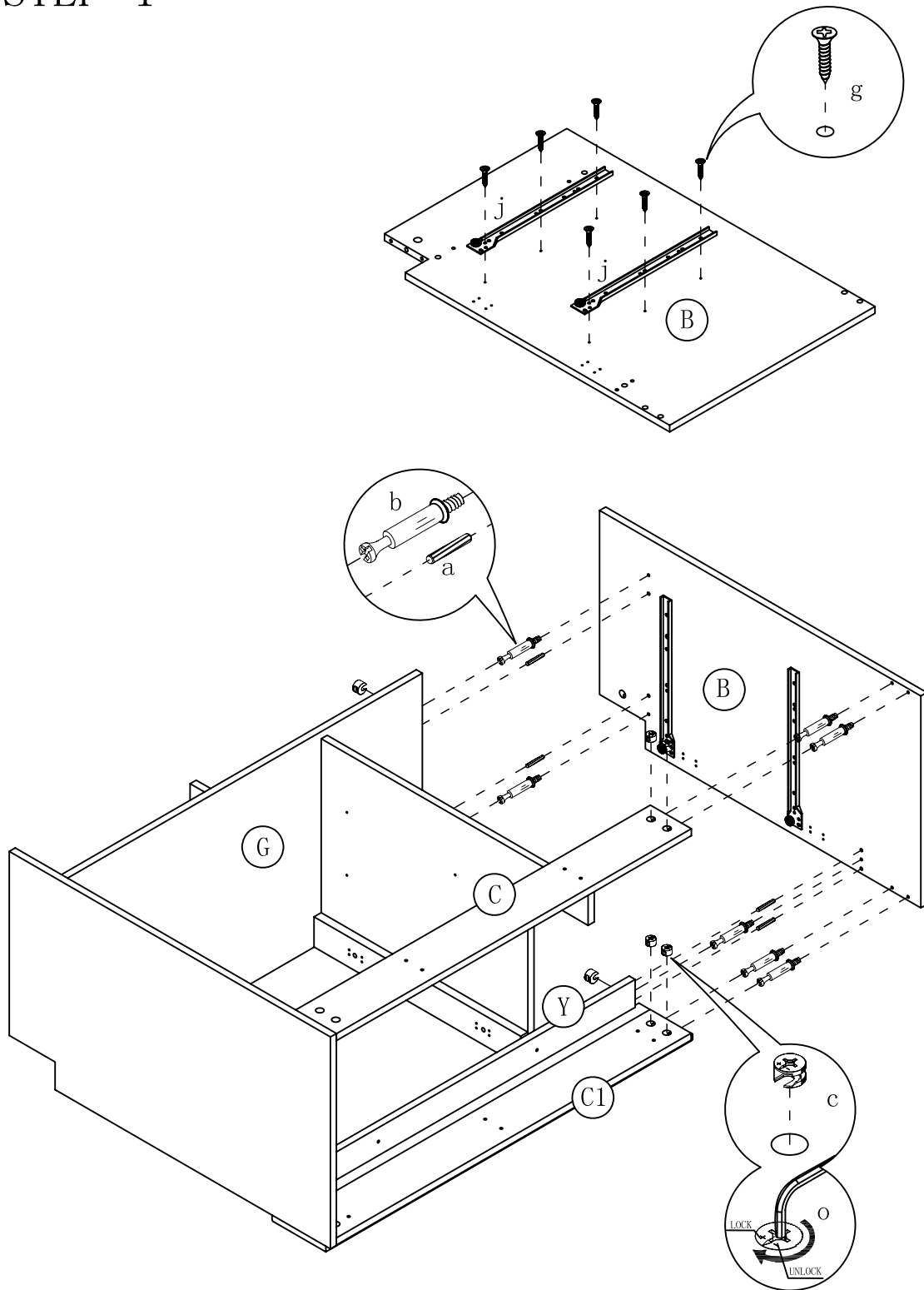


# STEP 3

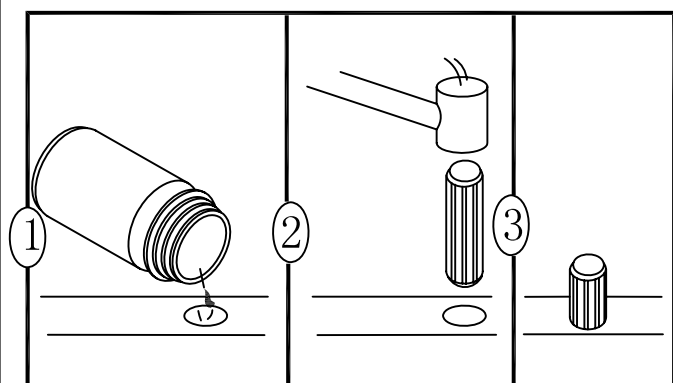
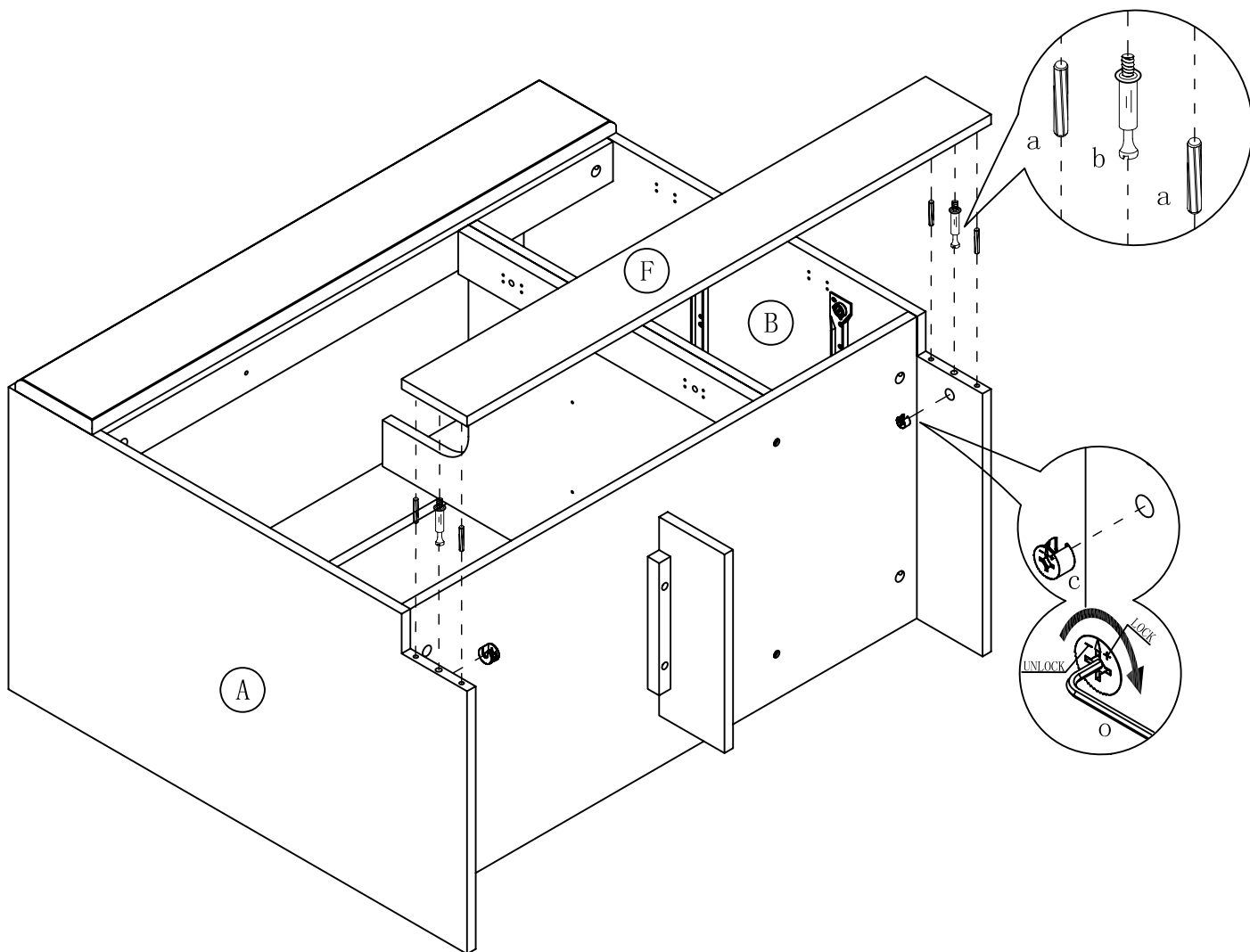




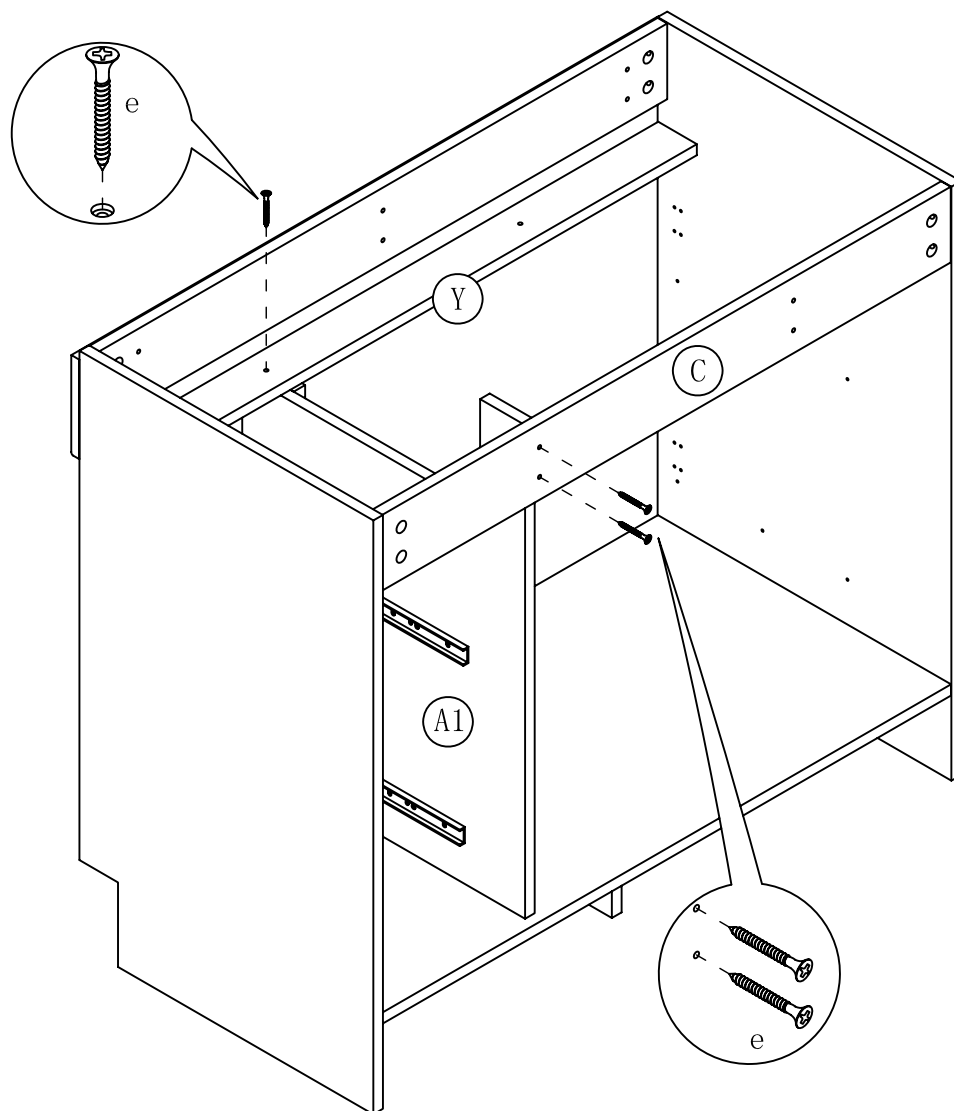
# STEP 4



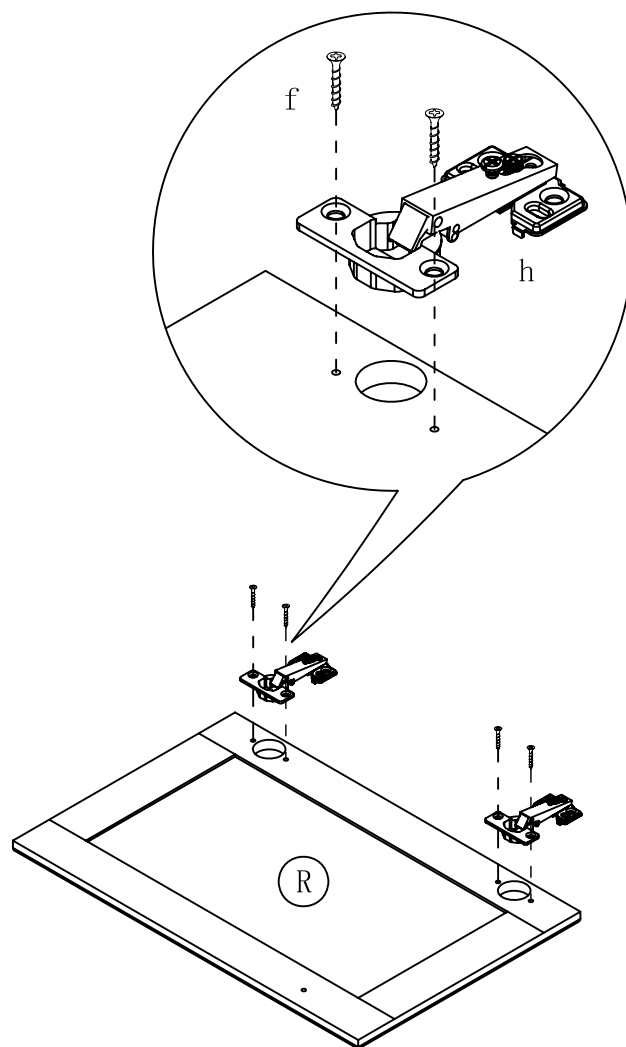
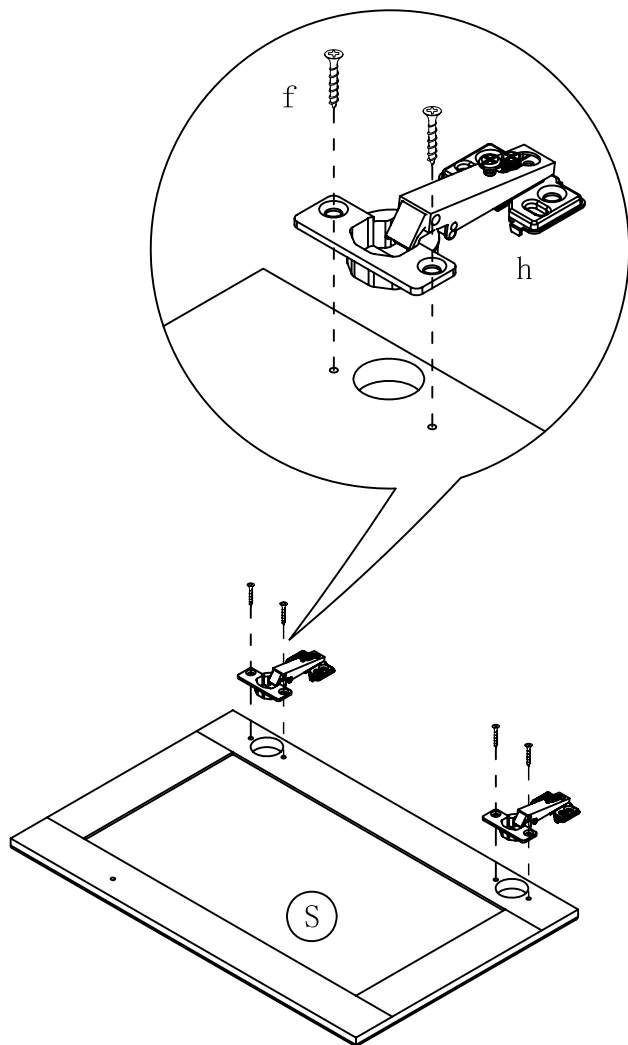
# STEP 6



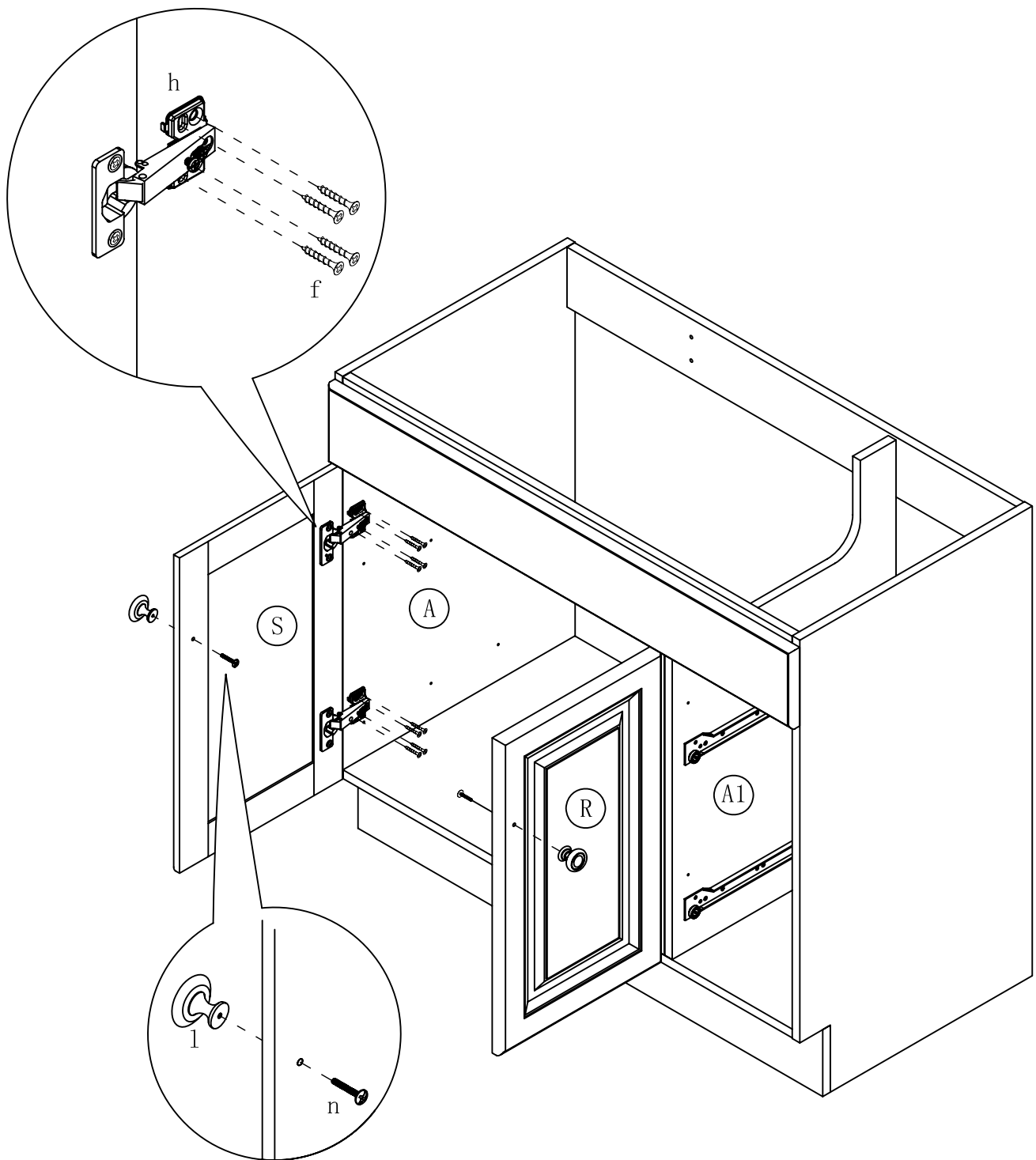
# STEP 5



# STEP 7

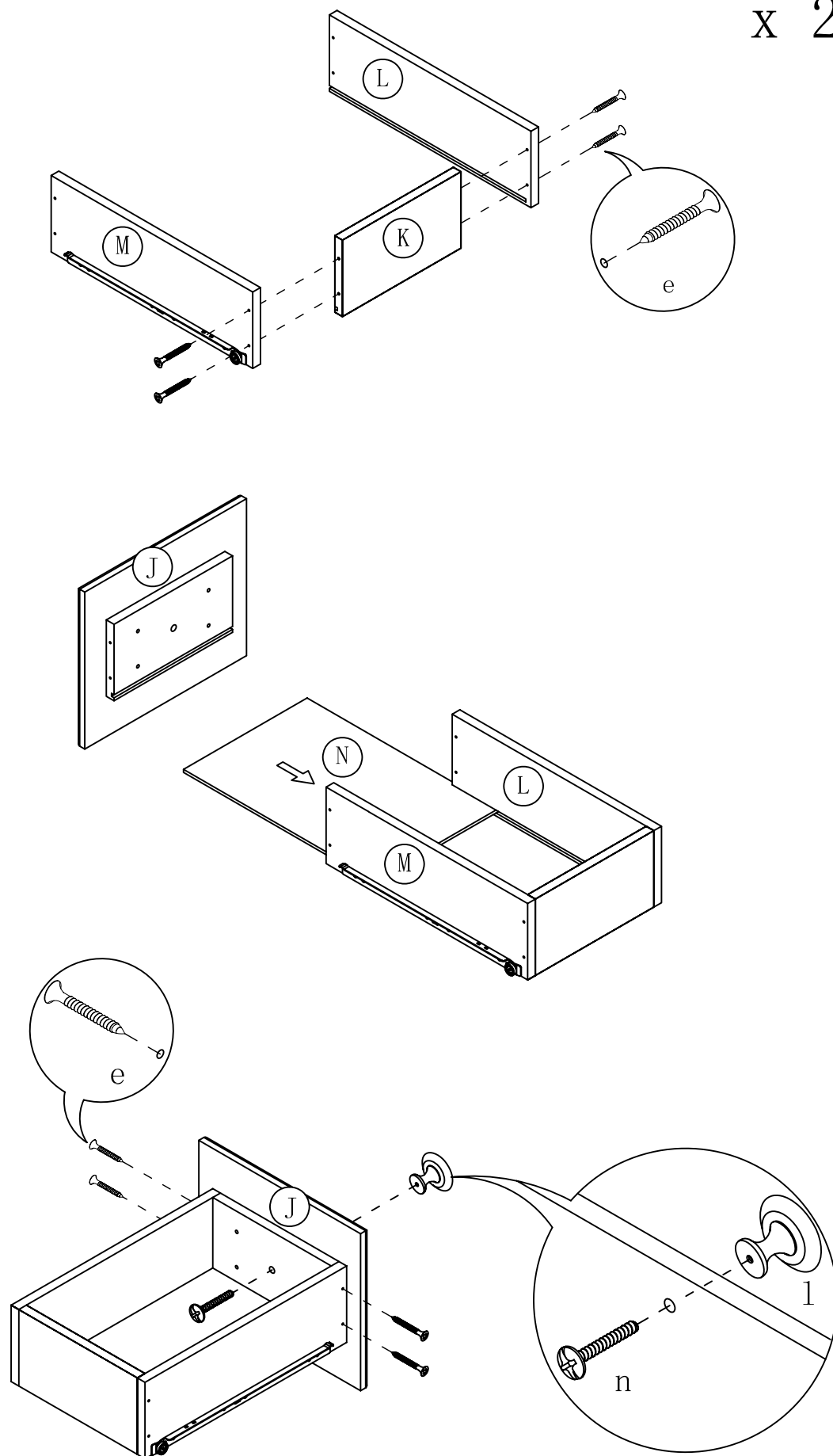


# STEP 8

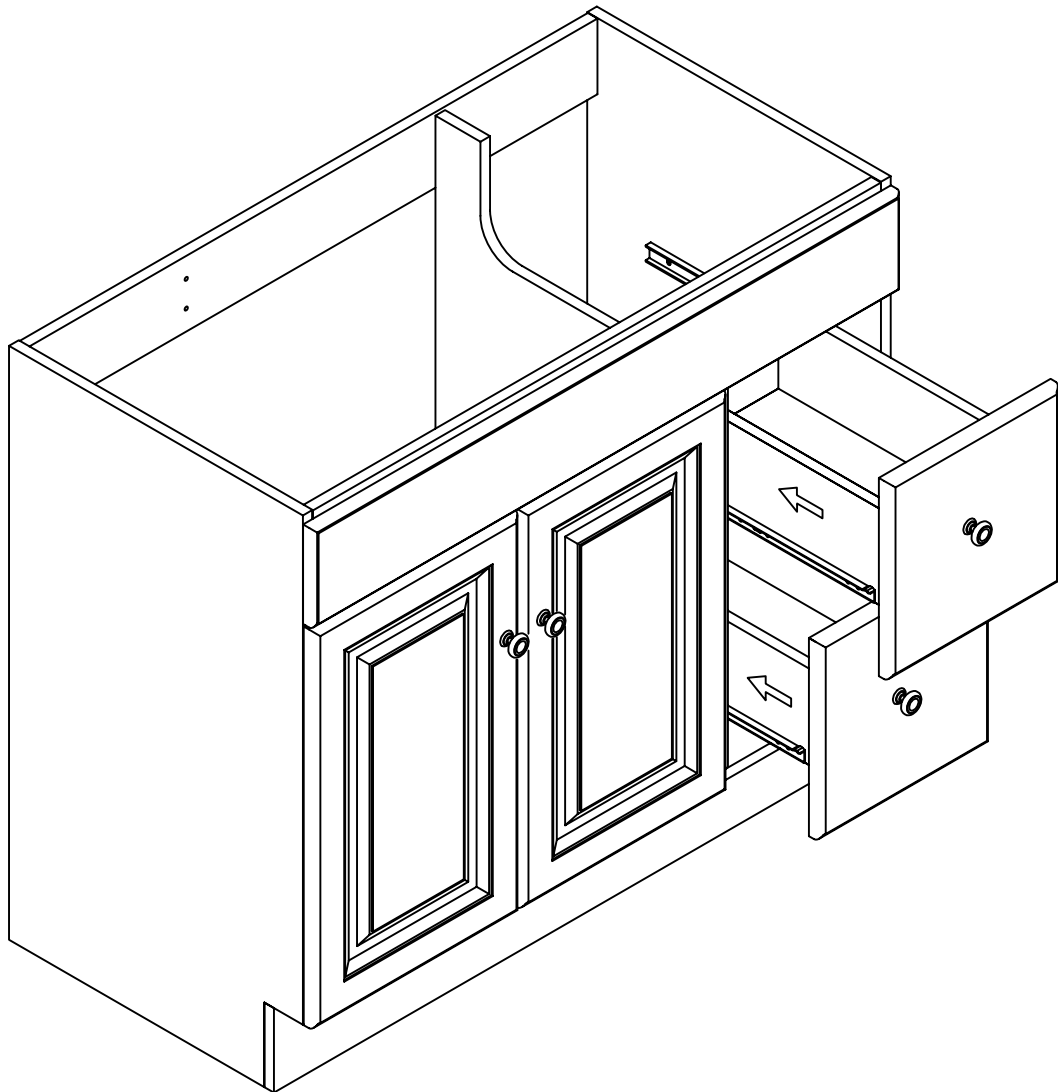


STEP 9

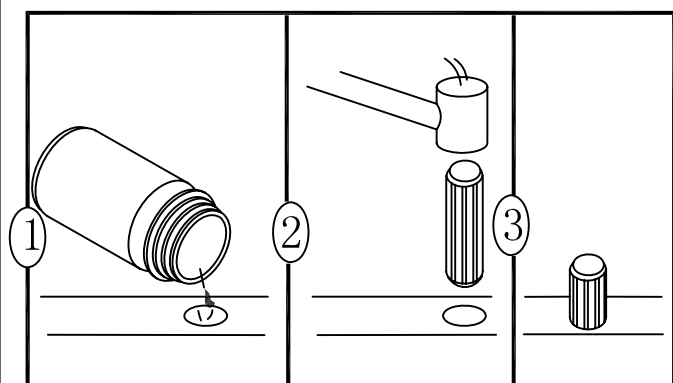
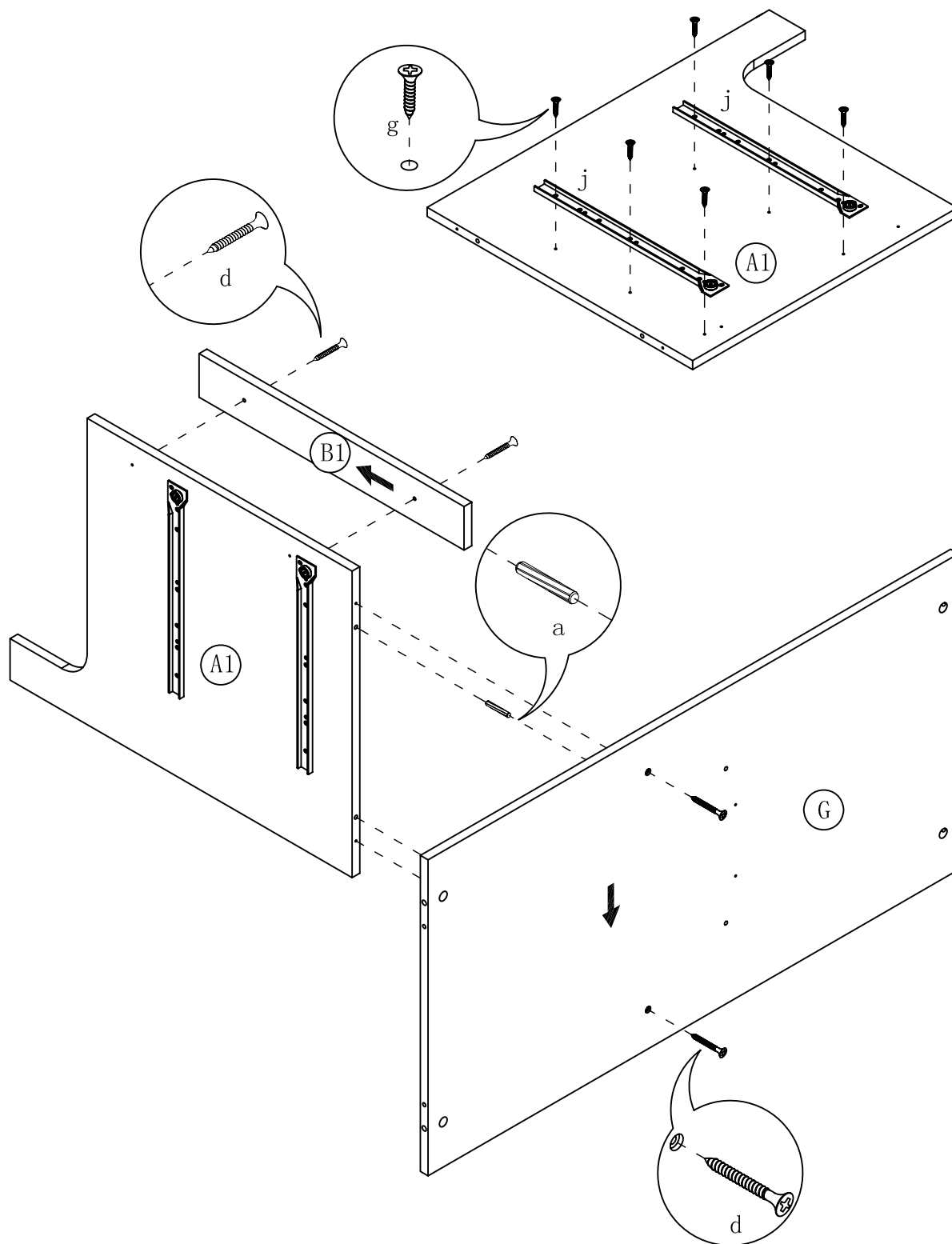
x 2



STEP 10

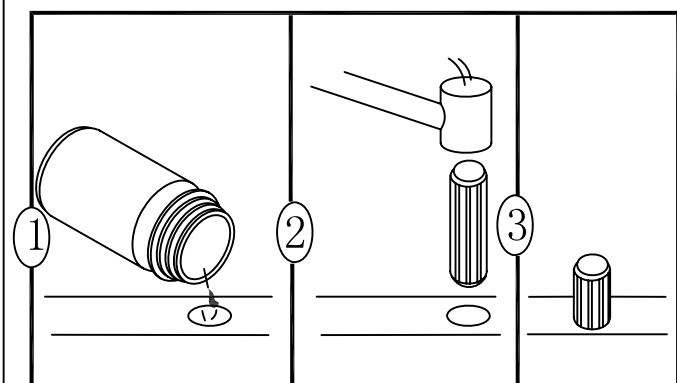
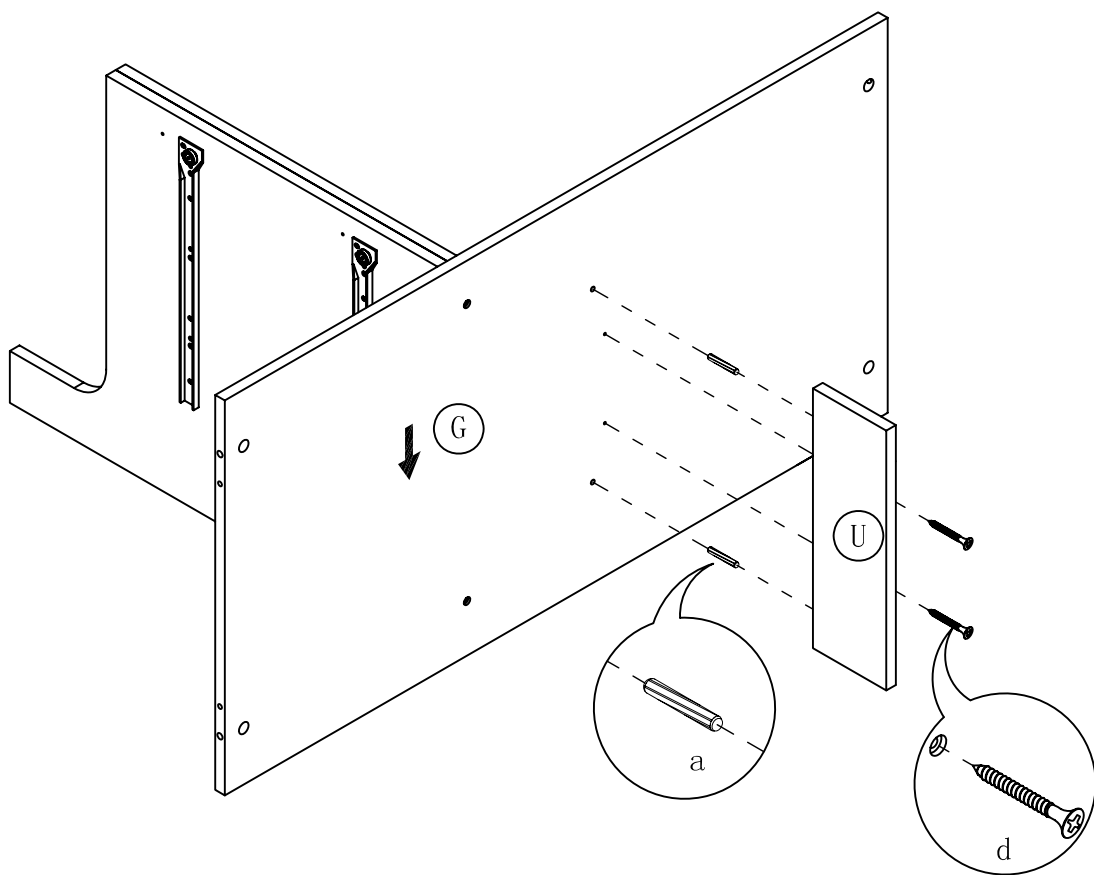


# STEP 11

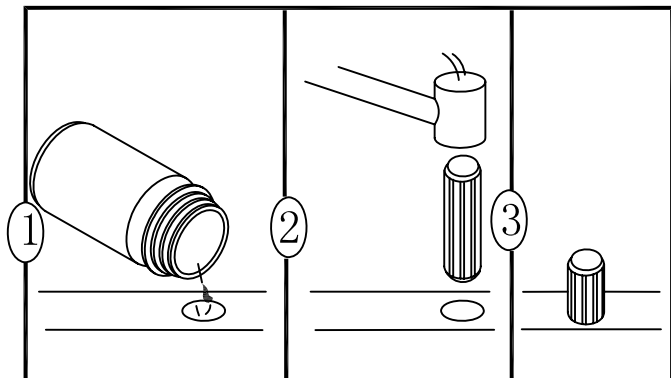
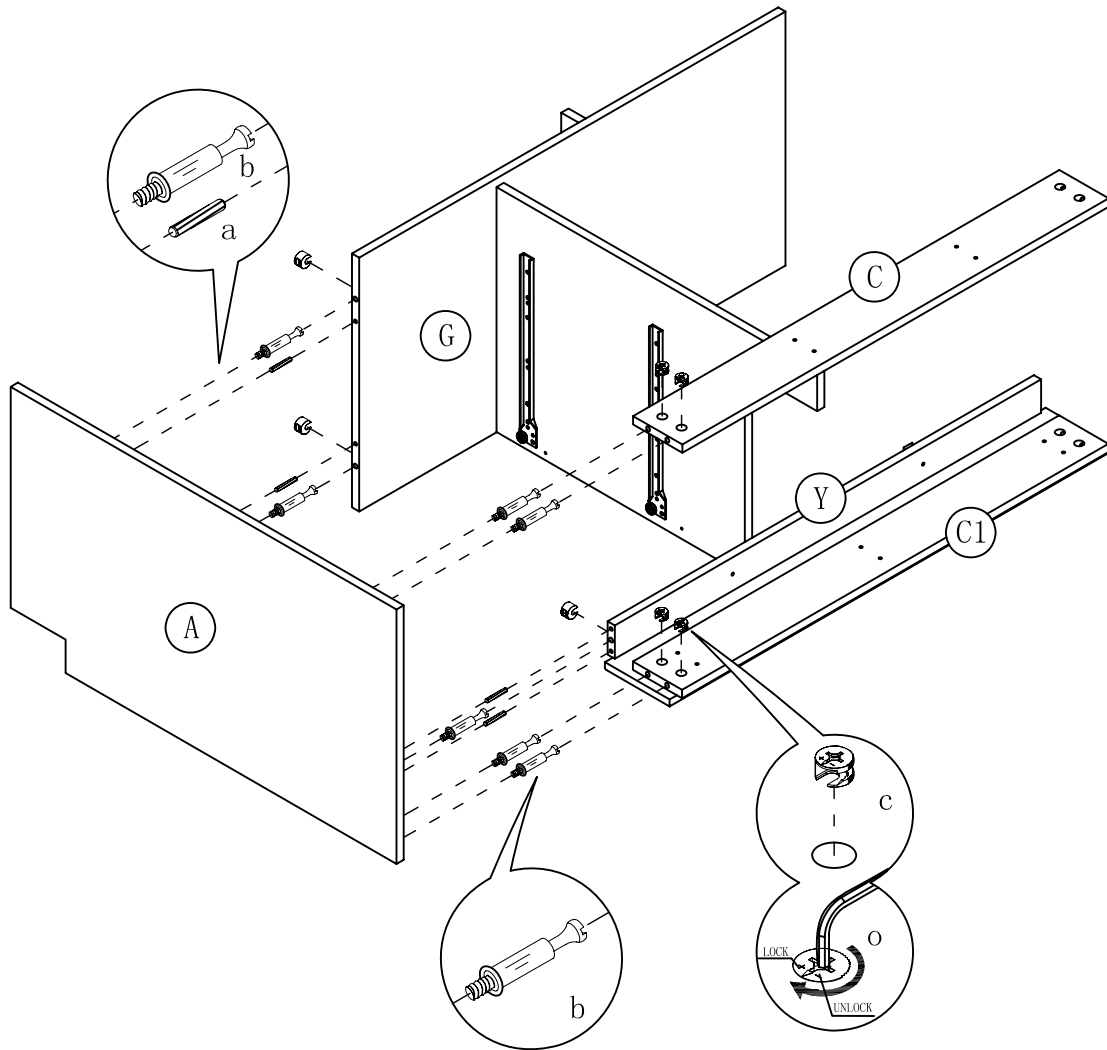
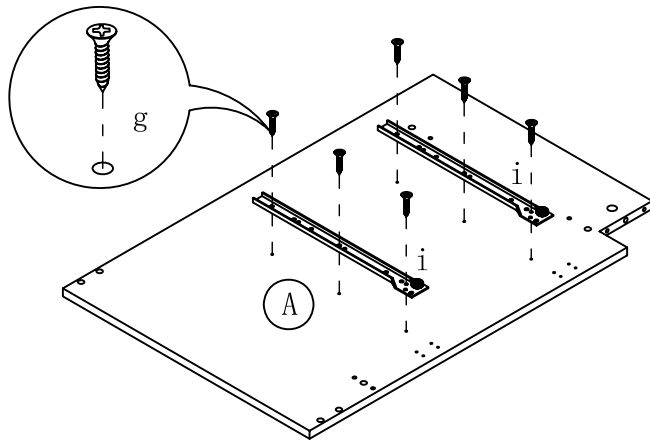




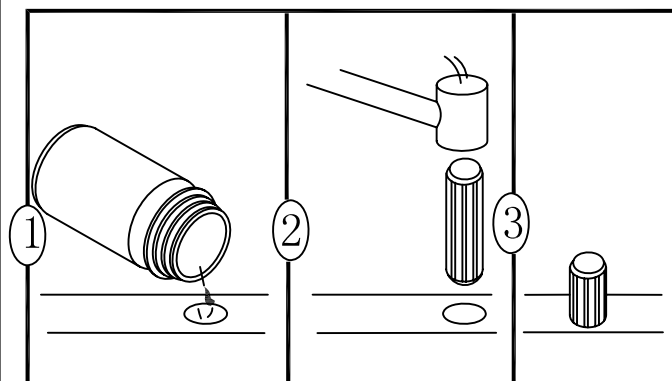
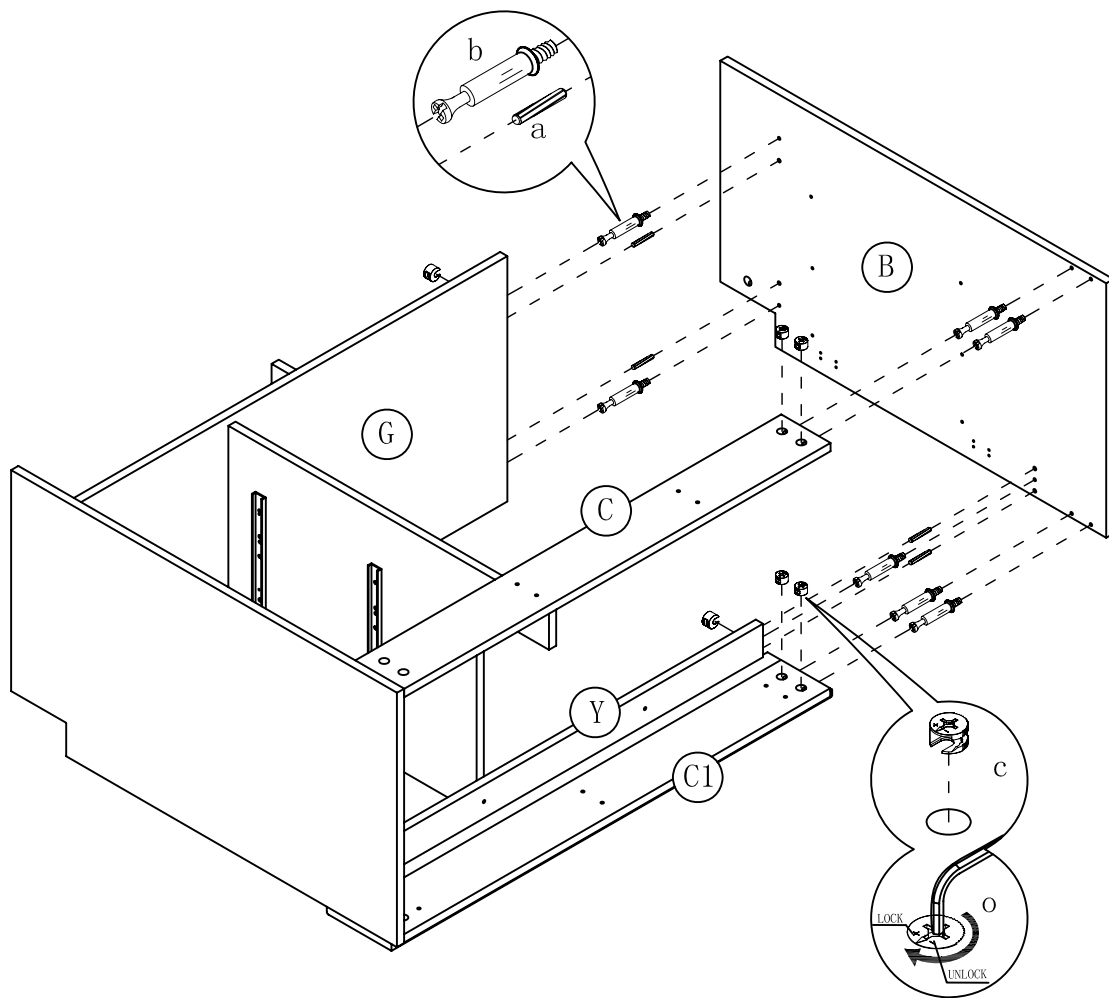
# STEP 12



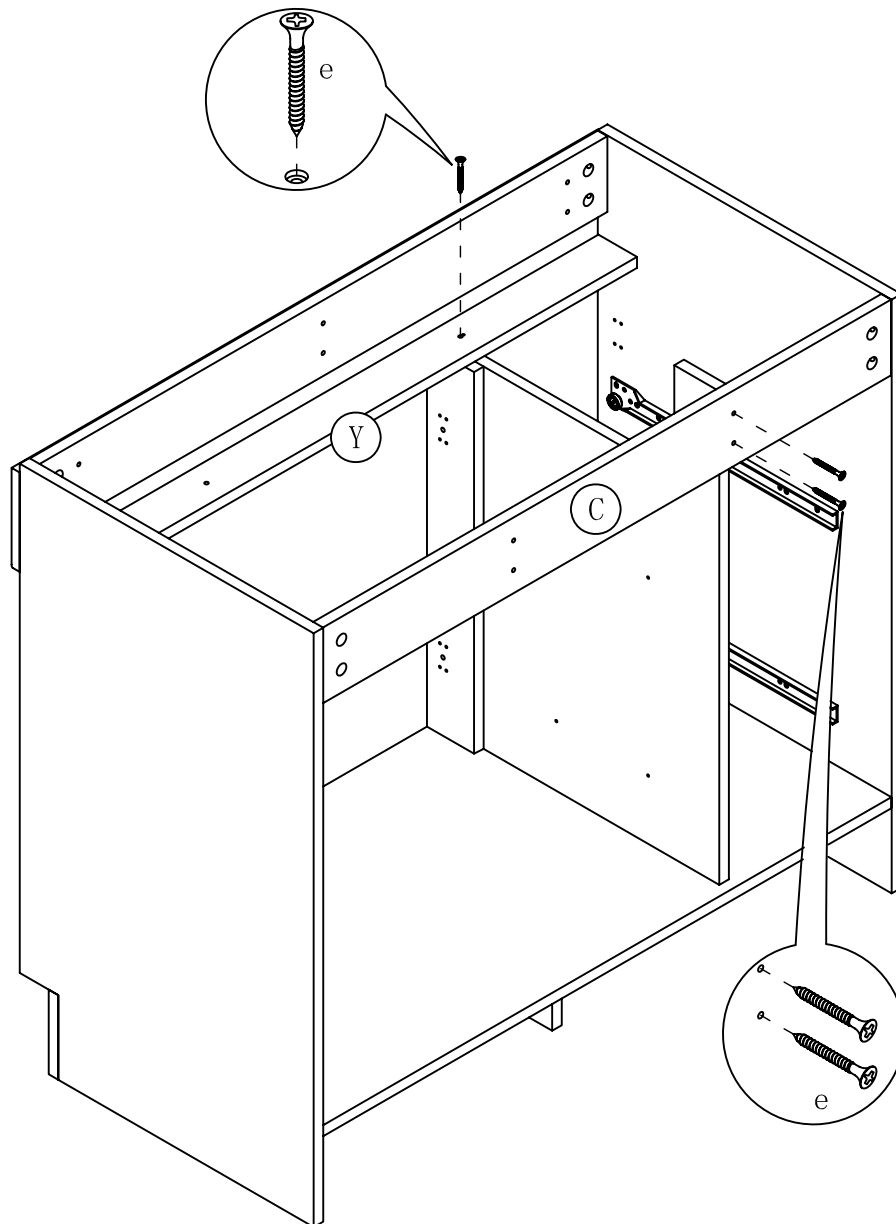
# STEP 13



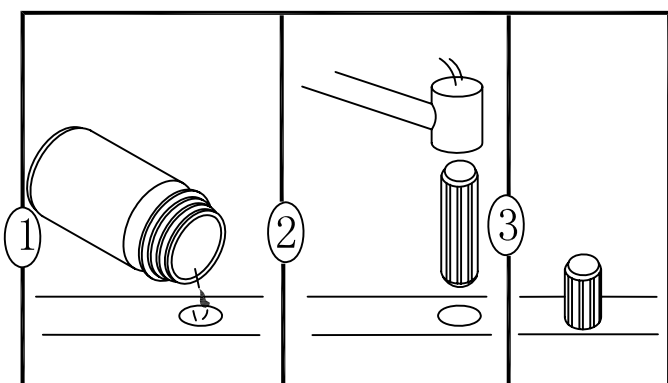
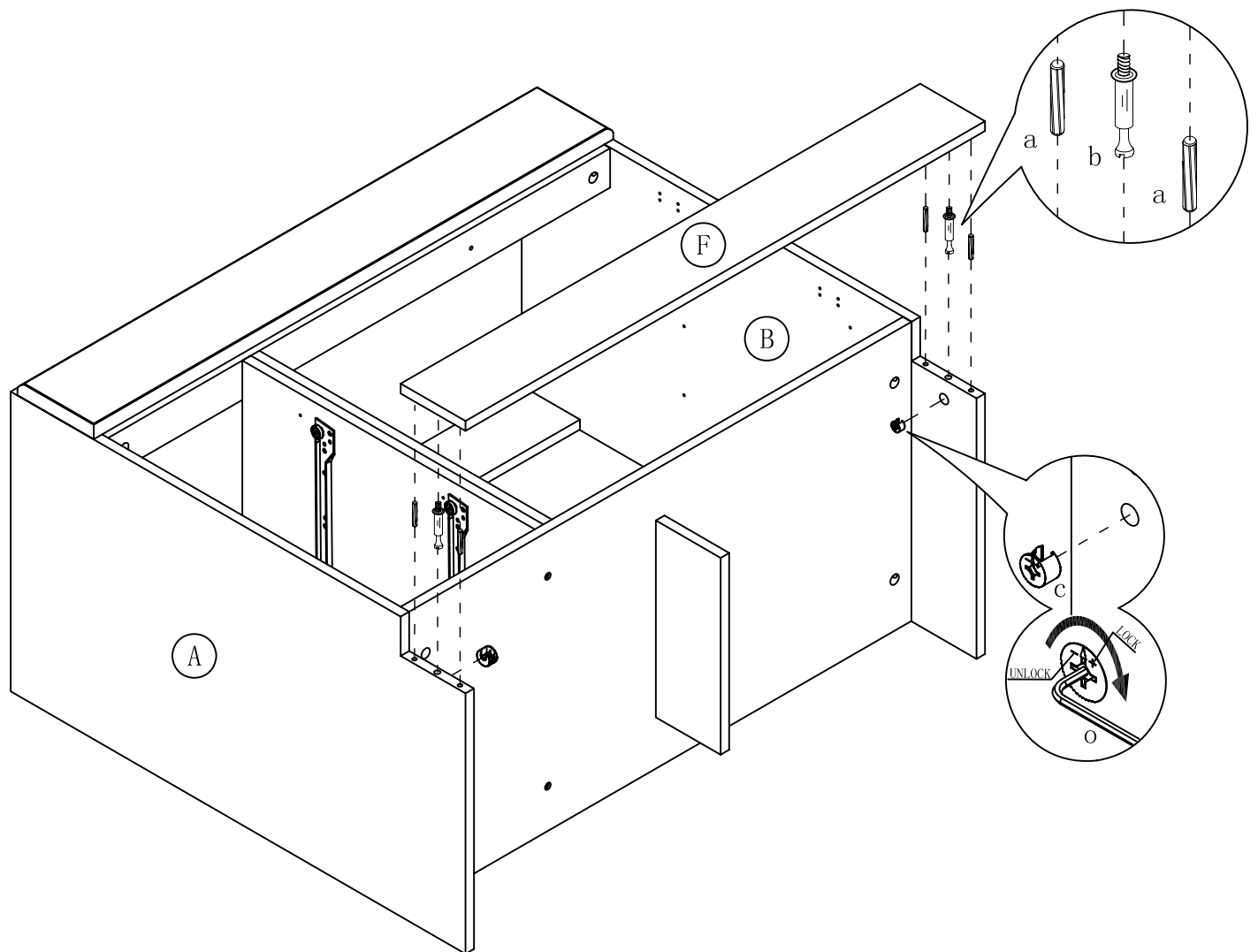
# STEP 14



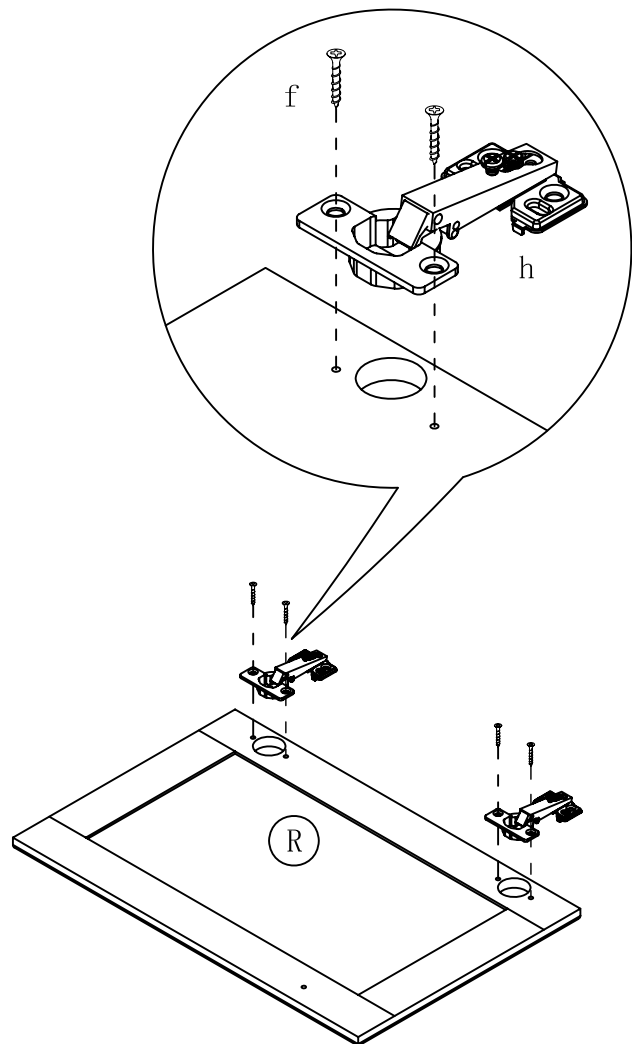
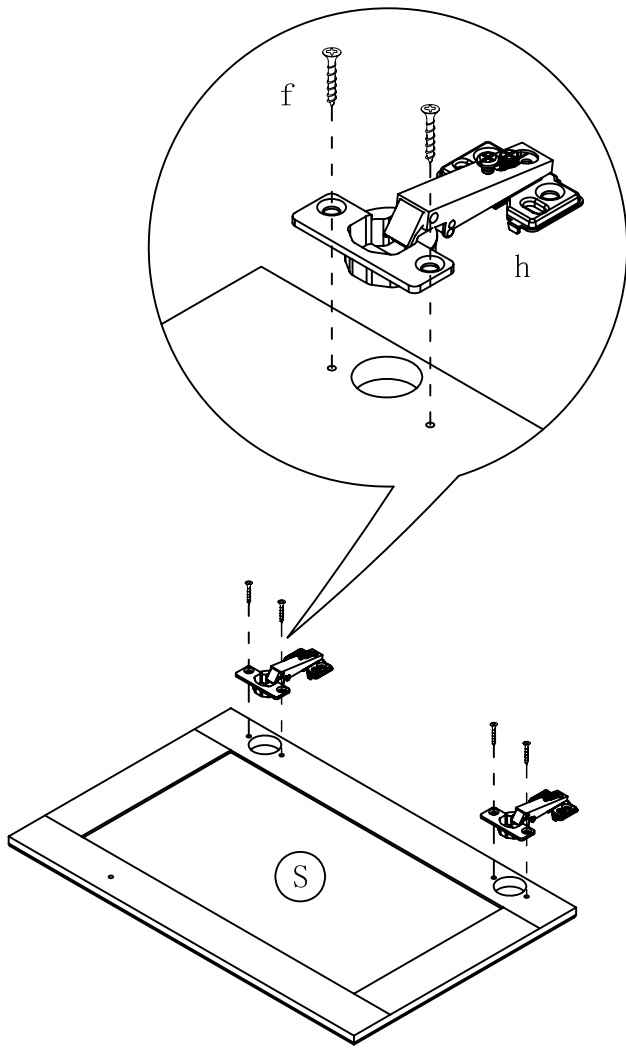
# STEP 15



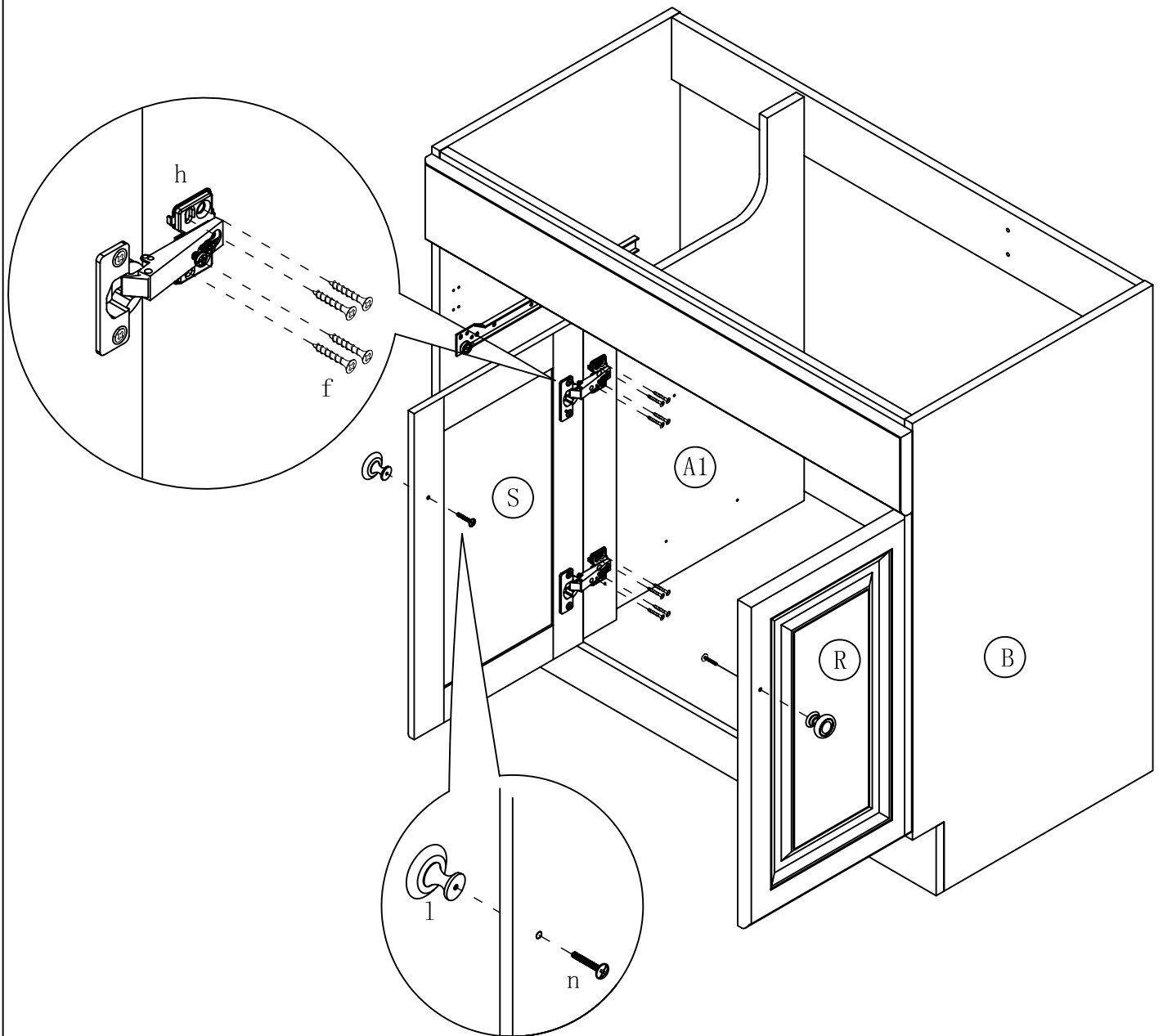
# STEP 16



# STEP 17

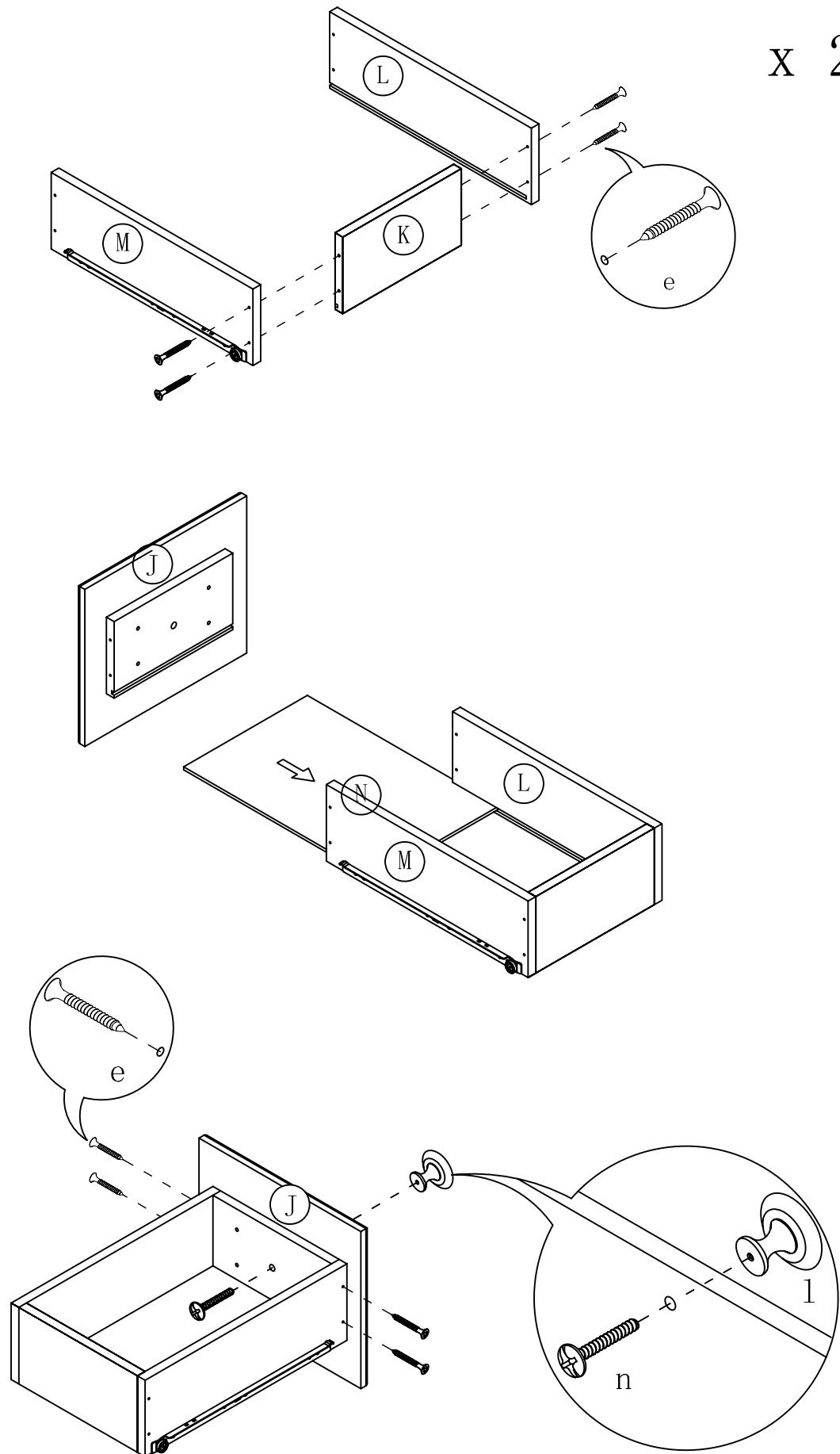


# STEP 18



# STEP 19

x 2





# STEP 20

