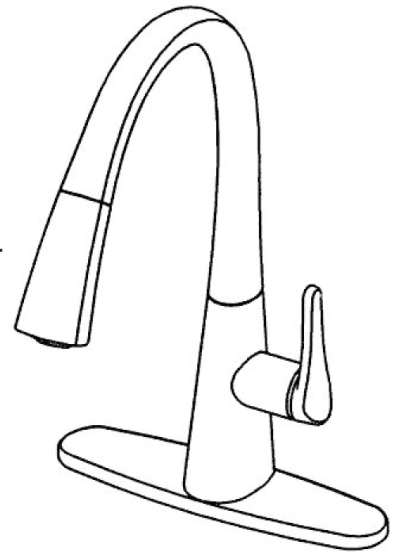


INSTALLATION GUIDE: SINGLE CONTROL KITCHEN FAUCET



PRODUCT SPECS AND STANDARDS:

DESCRIPTION:

- Brass under body with copper supplies.
- Brass supply connection adapters with 1/2" IPS threads.
- Single Hole Mounting: (Ø 1-3/8" Min to Ø 1-5/8" Max)

OPERATION:

- Requires less than 5LB force to operate valve
- Flow adjustment: 90° turn from full hot to full cold
- 1.8 GPM (6.8 L/min) Aerator

PRODUCT SPECS AND STANDARDS:

STANDARDS:

- IAPMO/UPC Certified:
- ASME A112.18.1-2012/CSA B 125.1-12
- NSF/ANSI 61-2012
- NSF/ANSI 372-2011 (Lead Free)

WARRANTY:

- 100 Year drip-free warranty
- Product to be free of defects in material or workmanship

NOTE:

While your faucet may differ in appearance to item shown, it will install with in the same manner.

CLEANING INSTRUCTIONS:

Use only a clean, soft cloth, water, and mild hand soap to clean unit.

WARNING: Do NOT use abrasive cleaners, chemicals, or abrasive cleaning pads to clean fixture. A very hard protective coating has been applied to this product to maintain it's appearance, but this product could be damaged with improper cleaning. Failure to follow cleaning instructions will void product warranty.

PRODUCT WARRANTY:

Windon Bay faucets have been manufactured to our high quality standards and workmanship. **The warranty covers defects in materials and/ or workmanship to the original purchaser/home owner (warranty is not transferable to another person).** The faucet is warranted to remain drip-free during normal use. All parts and finishes will be free from manufacturing defects. With the exception of items listed below, this product has a limited warranty against defects in materials or workmanship for a period of 1 year from the date of purchase. The warranty is voided if the product is found to be misused or the following cleaning instructions were not followed. Damage due to accidents or installation is not warranted.

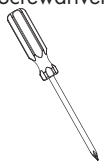
1. Faucet valve cartridges have a limited warranty for a period of 100 years from the date of purchase. This date is stamped on the valve cartridge.
2. Product finish has a limited warranty for a period of 100 years from the date of purchase. Failure to follow the cleaning instructions listed below voids all finish warranty. Damage due to accidents or installation is not warranted.

This warranty covers replacement of cartridges, parts and finish only. It does not include labor charges and/or damage incurred during installation. Windon Bay will provide free of charge all parts and cartridges found to be covered under the warranty; any part that proves defective in material and/or workmanship under normal installation, use and service. Finish warranty is not covered if finish is exposed to extreme use of cleaners containing abrasives and alcohol, extreme cleaning, extreme chemical use, or any damage due to abuse or neglect (Oil Rubbed Bronze and Matte Black finish is warranted for 1 year).

**Please see cleaning instructions provided with each faucet. This warranty excludes all industrial, commercial, and business usage of faucets and only pertains to single dwelling residential use. Faucets used for other than single dwelling residential use are covered by a 1-year limited warranty from the date of purchase.

HELPFUL TOOLS

Phillips Screwdriver



Adjustable Wrench



Safety Glasses



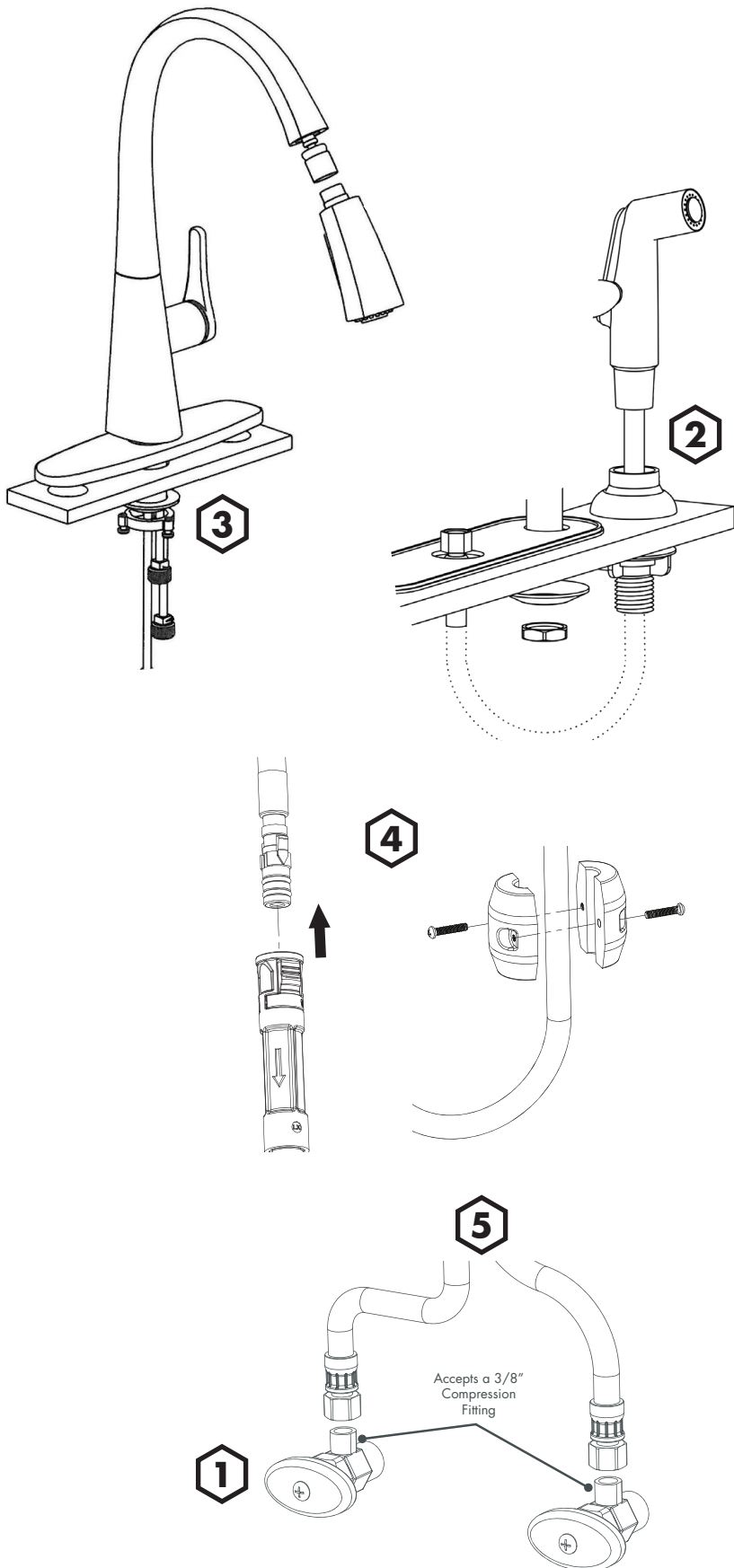
Plumber's Putty



Supply Hoses



INSTALLATION GUIDE: SINGLE CONTROL KITCHEN FAUCET



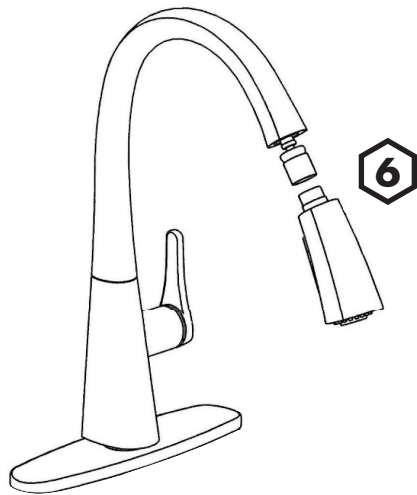
*SUPPLY STOPS NOT INCLUDED

- 1 TURN OFF WATER SUPPLIES.**
 Ensure mounting surface requirements are as follows:

 - Single Hole Mounting: (Ø 1-3/8" Min to Ø 1-5/8" Max)
 - With Spray - Hole: 4" on center, (Ø 1-3/8" Min to Ø 1-5/8" Max)
- 2 SIDE SPRAY HOSE INSTALLATION: (IF EQUIPPED)**

 - Mount Spray Hose Holder onto sink and secure with Hose Holder Nut.
 - Insert Spray Hose into Hose Holder.
 - From bottom side of sink, insert end of Spray Hose through center mounting hole of sink.
 - Assemble Spray Hose to Faucet and tighten. (DO NOT OVER TIGHTEN CONNECTIONS).
- 3 MOUNT UNIT ON KITCHEN SINK.**
 Assemble and secure mounting washers and nuts. (DO NOT OVER TIGHTEN MOUNTING NUT).
- 4 PULL OUT SPRAY CONNECTION: (IF EQUIPPED)**
 If your faucet is equipped with a pull out spray, assemble "Braided Spray Hose" to "Hose Quick Connect".
 CAUTION: Make sure Hose is properly engaged and secure in Faucet Hose Quick Connect. Assemble Hose Weight to Spray Hose.
- 5 ASSEMBLE WATER SUPPLY LINES.**
 Caution: Use wrench or pliers to hold faucet inlet adapters when tightening supply line nuts to prevent twisting copper tubing or damaging solder joints.

INSTALLATION GUIDE: SINGLE CONTROL KITCHEN FAUCET



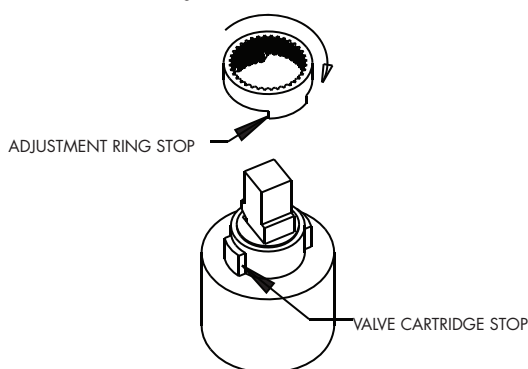
6 TURN ON WATER AND FLUSH THE SYSTEM.

Remove Spray Wand or Aerator from faucet and flush water through faucet to remove any line trash. Assemble Spray Wand and run water through faucet while checking for leaks at all connections.

7 CONFIRM PROPER INSTALLATION

Check for leaks and proper operation of faucet.

8 HOT LIMIT STOP ADJUSTMENTS

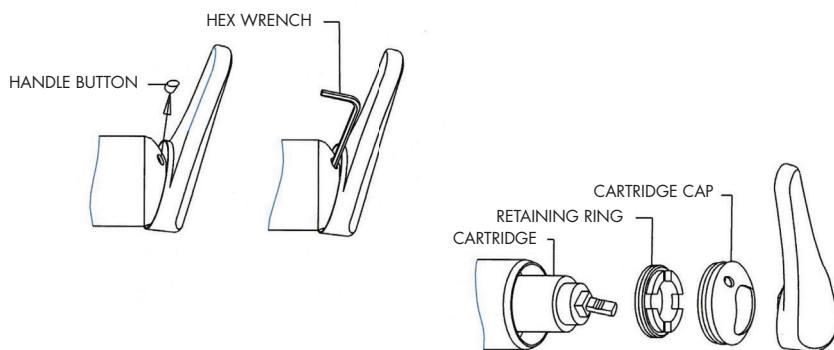


8 HOT LIMIT STOP ADJUSTMENTS:

The Hot Limit Stop is a device that is used to limit the Cartridge travel to the extreme hot position.

- Remove Handle using a Hex Wrench.
- Remove Hot Limit Adjustment Ring from Valve Cartridge.
- Turn Valve on and adjust to maximum desired water temperature.
- Reposition Hot Limit Ring so that the Ring Stop touches the Cartridge Stop. This will prevent the Valve Stem from rotating any further towards the full hot position.
- Re-assemble Handle.

9 CARTRIDGE VALVE REPLACEMENT



9 CARTRIDGE VALVE REPLACEMENT: TURN OFF WATER SUPPLIES.

Should you need to replace the Valve Cartridge, please follow the steps below.

- Remove Handle Button.
- Remove Handle using a Hex Wrench.
- Remove Valve Cartridge Cap Nut and Retaining Ring.
- Replace Cartridge.
- Reassemble in reverse order.



CALIFORNIA PROPOSITION 65:

WARNING: This product can expose you to chemicals including lead, which is known to the State of California to cause cancer and birth defects or other reproductive harm. For more information go to [www. P65Warnings.ca.gov](http://www.P65Warnings.ca.gov).

Wash hands after installation, repair, or removal of this product.