

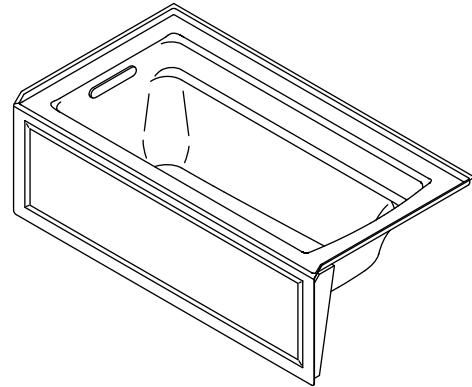
### Features

- Acrylic
- Alcove installation
- Integral apron with removable access panel
- Integral tile flange
- Left or right drain
- Armrests
- Bask heated lumbar support with three temperature settings
- Textured bottom surface
- Slotted overflow for maximum bathing depth
- Low threshold height
- 60" (1524 mm) x 32" (813 mm) x 20-1/4" (514 mm)

### APRON BATH WITH BASK™ HEATED SURFACE

## K-1123-LAW ALSO K-1123-RAW

ADA



### Codes/Standards Applicable

Specified model meets or exceeds the following:

- CSA B45.5/IAPMO Z124
- ASTM E162
- ASTM E662
- UL 1795
- ADA
- ICC/ANSI A117.1

### Colors/Finishes

- 0: White
- Other: Refer to Price Book for additional colors/finishes

### Accessories:

- CP: Polished Chrome
- PB: Vibrant® Polished Brass
- Other: Refer to Price Book for additional colors/finishes

### Specified Model

Model	Description	Colors/Finishes	
K-1123-LAW	Apron bath with Bask heated surface, left drain (shown)	<input type="checkbox"/> 0	<input type="checkbox"/> Other_____
K-1123-RAW	Apron bath with Bask heated surface, right drain	<input type="checkbox"/> 0	<input type="checkbox"/> Other_____

#### Recommended Accessories

Model	Description	CP	PB	Other
K-7271	Slotted overflow bath drain - brass tee and pipe <b>OR</b>	<input type="checkbox"/> CP	<input type="checkbox"/> PB	<input type="checkbox"/> Other_____
K-7272	Slotted overflow bath drain - PVC tee and pipe	<input type="checkbox"/> CP	<input type="checkbox"/> PB	<input type="checkbox"/> Other_____

### Product Specification

The acrylic bath shall be 60" (1524 mm) in length, 32" (813 mm) in width, and 20-1/4" (514 mm) in height. Bath shall be for alcove installation. Bath shall feature an integral tile flange and integral apron with removable access panel. Bath shall feature Bask heated lumbar support with three temperature settings. Bath shall have a left or right drain. Bath shall feature slotted overflow for maximum bathing depth and low threshold height. Bath shall have armrests and features a textured bottom surface. Bath shall be Kohler Model K-1123-\_\_\_\_\_-\_\_\_\_\_.

# ARCHER™

## Optional Accessories

K-1491	Bath Pillow	<input type="checkbox"/> 0	<input type="checkbox"/> Other_____
K-1601	Bath Footstop	<input type="checkbox"/> 0	<input type="checkbox"/> Other_____

## Technical Information

Fixture*:	
Bathing well:	
Basin area, bottom	45-1/8" (1146 mm) x 19-11/16" (500 mm)
Basin area, top	52-3/4" (1340 mm) x 25-5/16" (643 mm)
Weight	80 lbs (36.3 kg)
To overflow:	
Water depth	15" (381 mm)
Capacity	58 gal (219.5 L)
* Approximate measurements for comparison only.	

Heater:	W	V	HZ	A
	65	120	60	.5

## Installation Notes

Install this product according to the installation guide.

Locate a GFCI-protected 120 V, 15 A, grounded electrical outlet within 24" (610 mm) of the bath junction box.

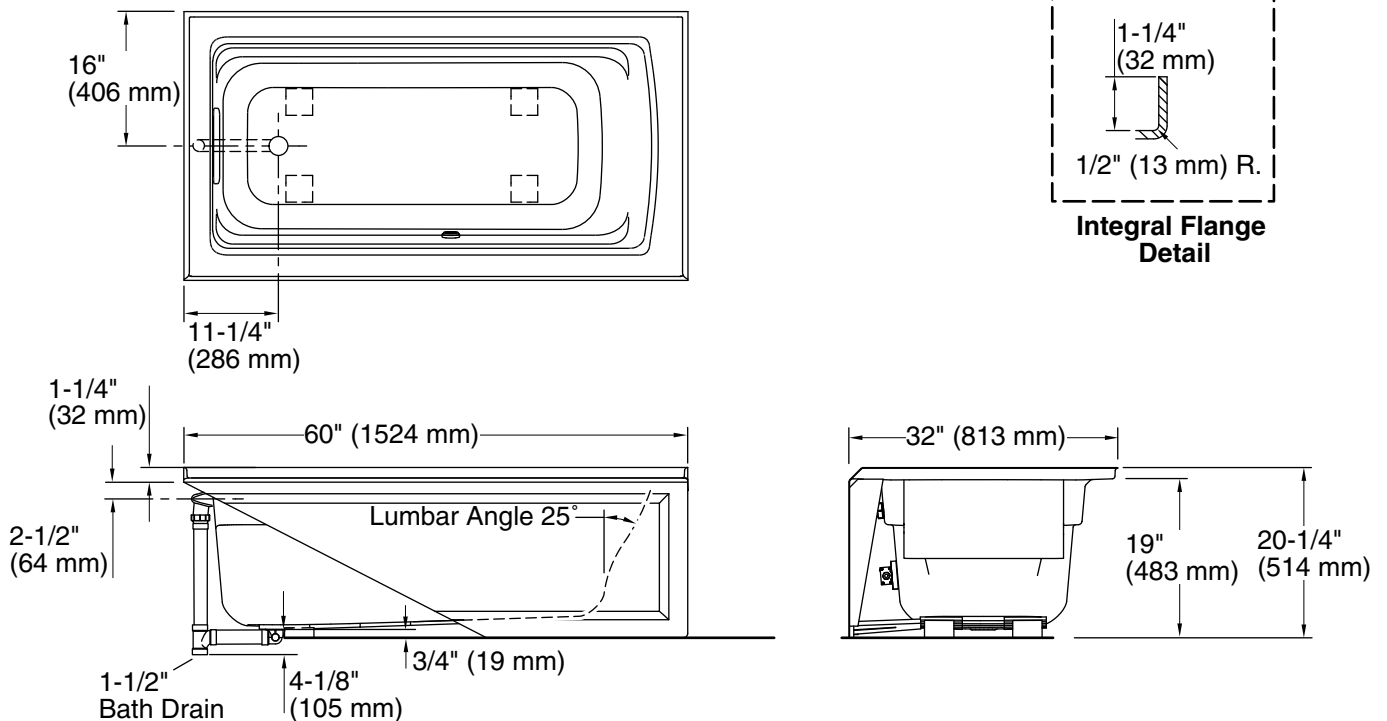
40" (1016 mm) cable is included.

Floor support under this product must provide for a minimum of 45 lbs/square foot (216 kg/square meter) loading.

The hot water supply should be 70% of the capacity of the bath or greater. Installations will vary.

Will comply with **ADA** when installed per Section 607 Bathtubs of the ADA 2010 Standards for Accessible Design.

No change in measurements if connected with drain illustrated. (K-7272)



## Product Diagram