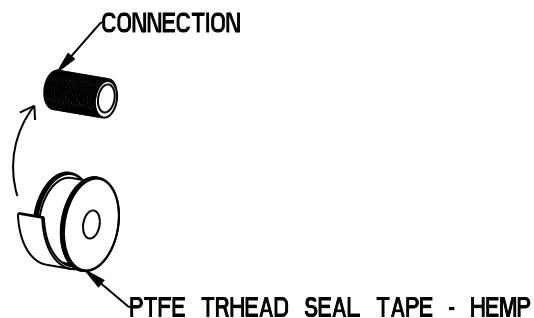
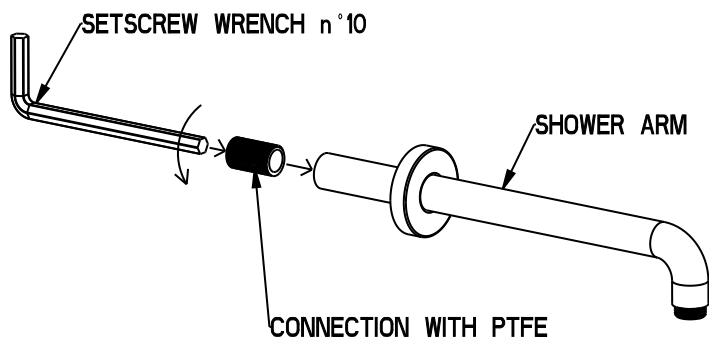


MALE SHOWER ARM

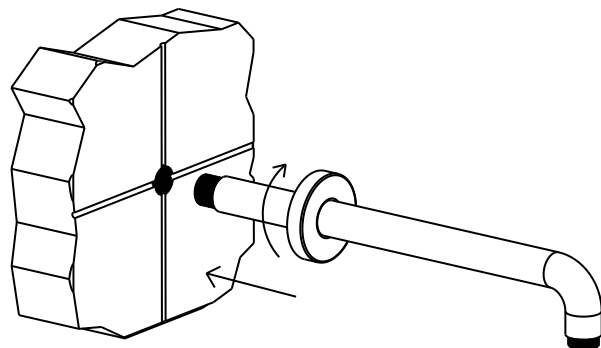
EXECUTION PHASE N°1



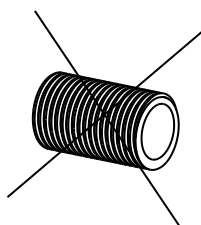
EXECUTION PHASE N°2



EXECUTION PHASE N°3

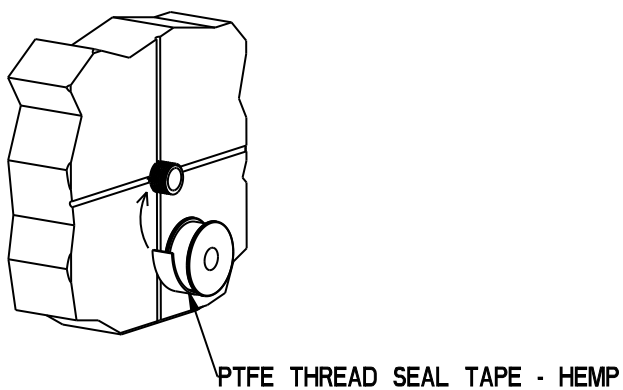


FEMALE SHOWER ARM



NO USE CONNECTION

EXECUTION PHASE N°1



EXECUTION PHASE N°2

