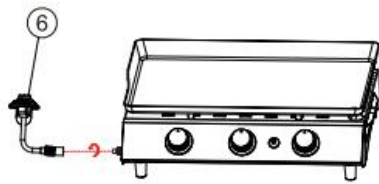


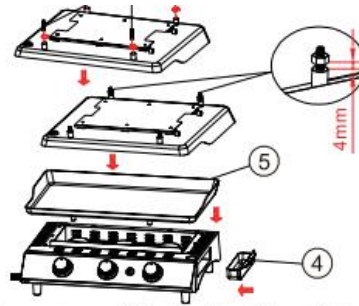
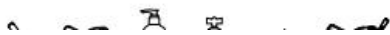
Assemble 4 leg base assemblies (1) to the bottom of the main body (2) by twisting clockwise until tightened.

Step 3



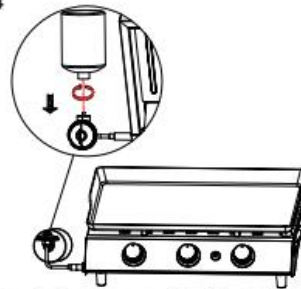
Connect the regulator (6) to the main body.

Step 5



Insert the grease cup (4) to the side of the main body. Screw 4 studs (3) underneath the cooking griddle (5). Adjust the nuts to ensure the flatness of the griddle. It is recommended to leave a few inches of space from each nut to the griddle, as shown in the figure.

Step 4



Insert the nipple of the regulator into the 1 lb. LP tank (not included) and hand tighten it by twisting clockwise as shown.

Step 6

