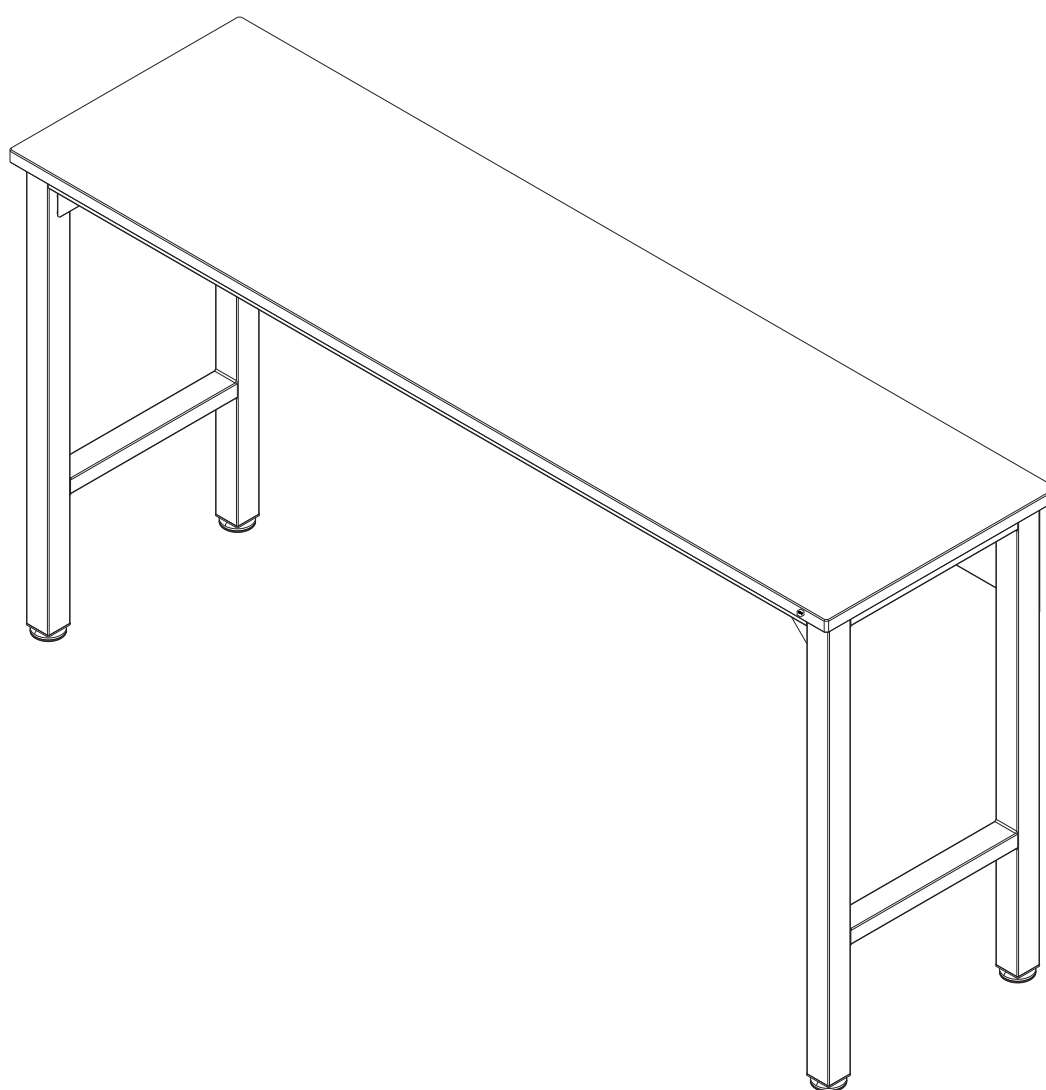




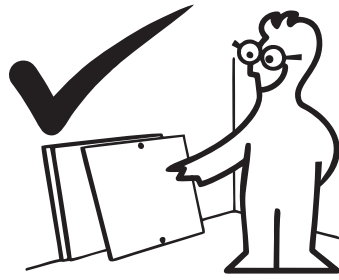
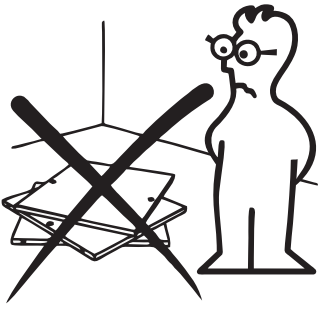
Assembly Guide

Model: 6GMC

Fortress Garage Table

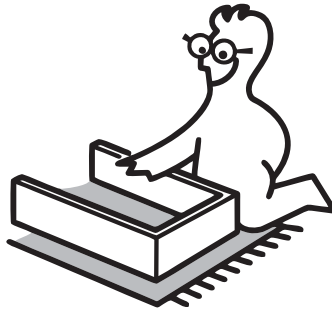
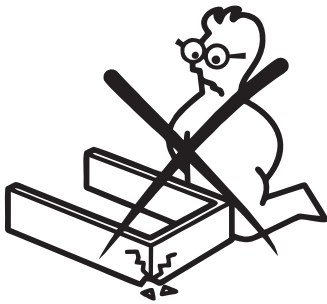
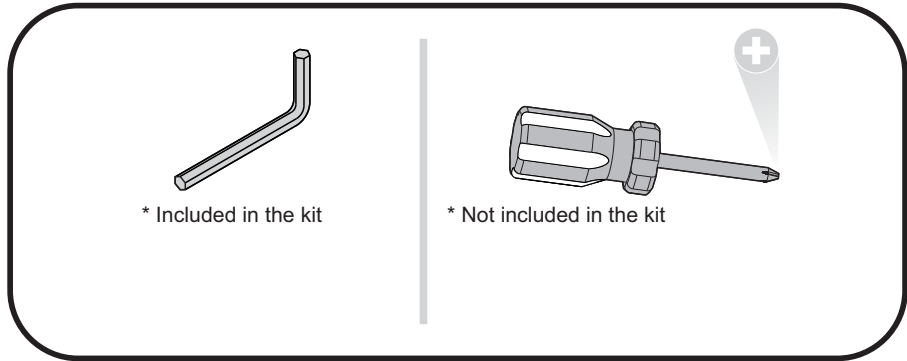
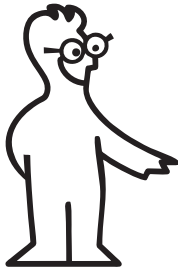


Stuck? Questions? We are here to help.
1-888-230-2225
help@manhattancomfort.com



In order to ease the assembly, you should separate and identify the parts first

Necessary hardware for the assembly, leveling and safety



Do not place the parts directly onto the floor. Use a cardboard sheet or a mat to place the parts, during the separation and assembly.

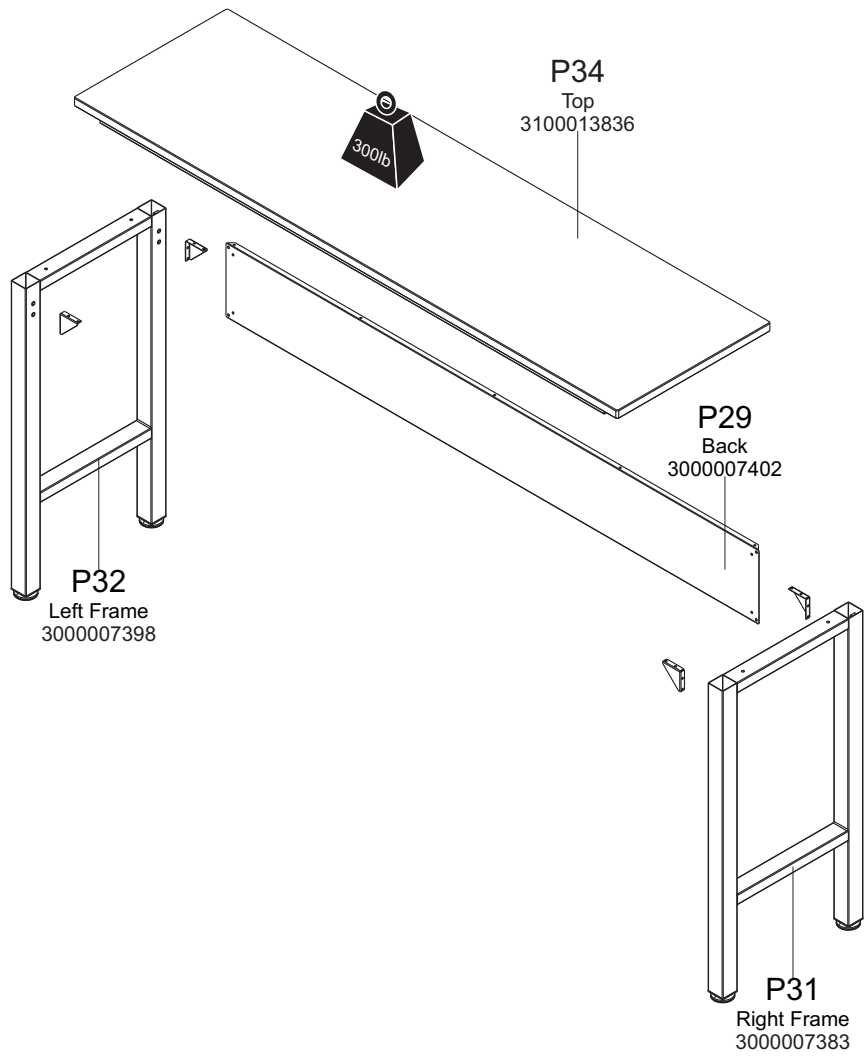


Stuck? Questions? We are here to help.
1-888-230-2225
help@manhattancomfort.com

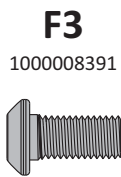
IMPORTANT

In order to avoid severe or even fatal injuries, follow the instructions carefully.

Fortress Garage Table



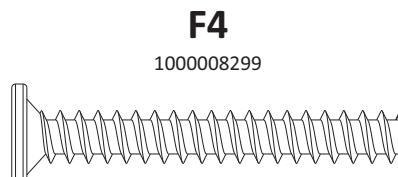
Hardware list



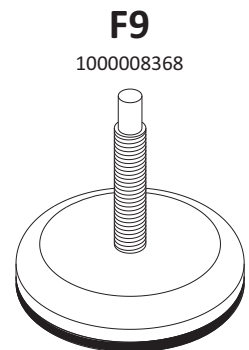
Qty. 20



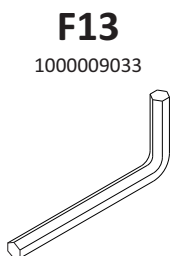
Qty. 20



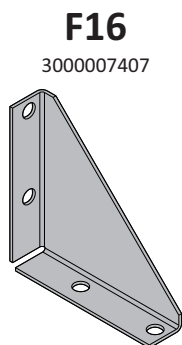
Qty. 4



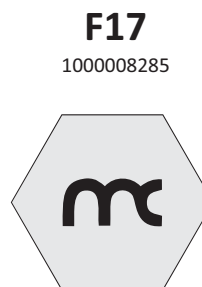
Qty. 4



Qty. 1



Qty. 4



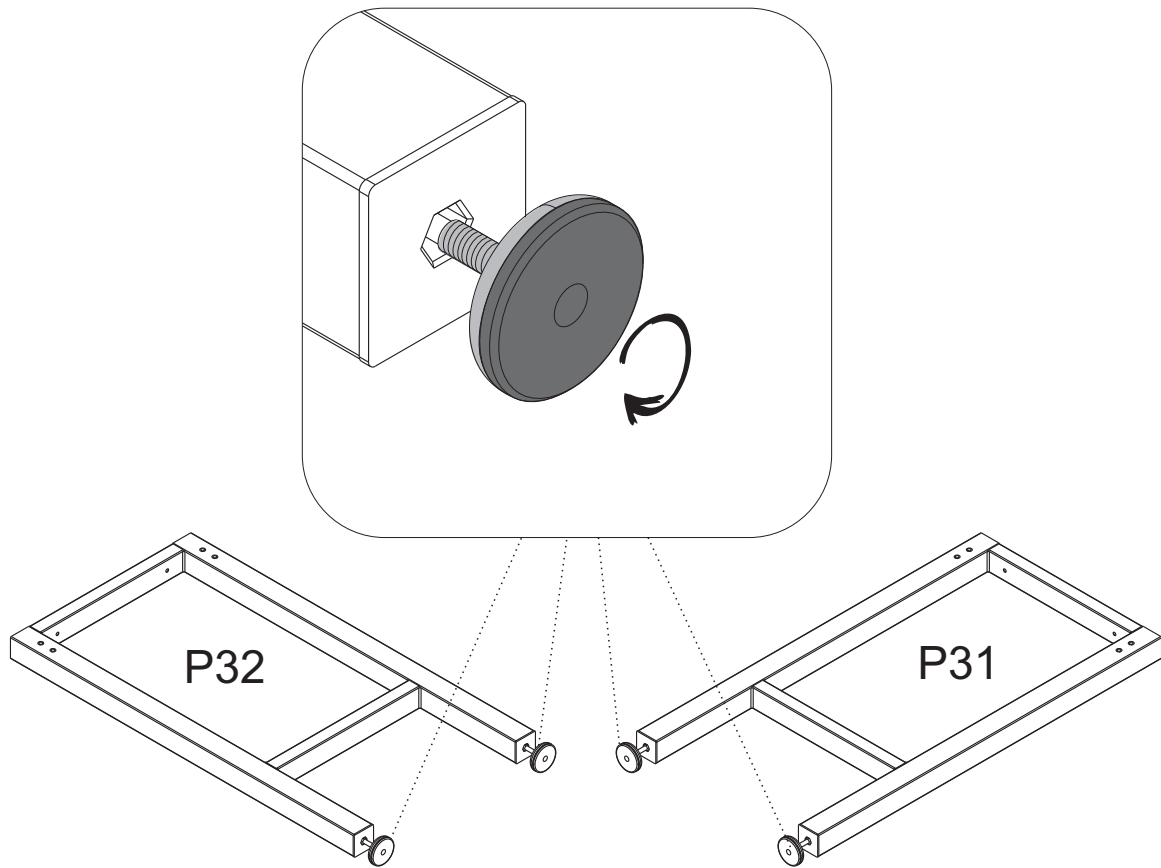
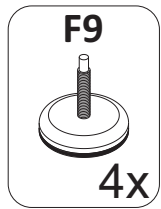
Qty. 1



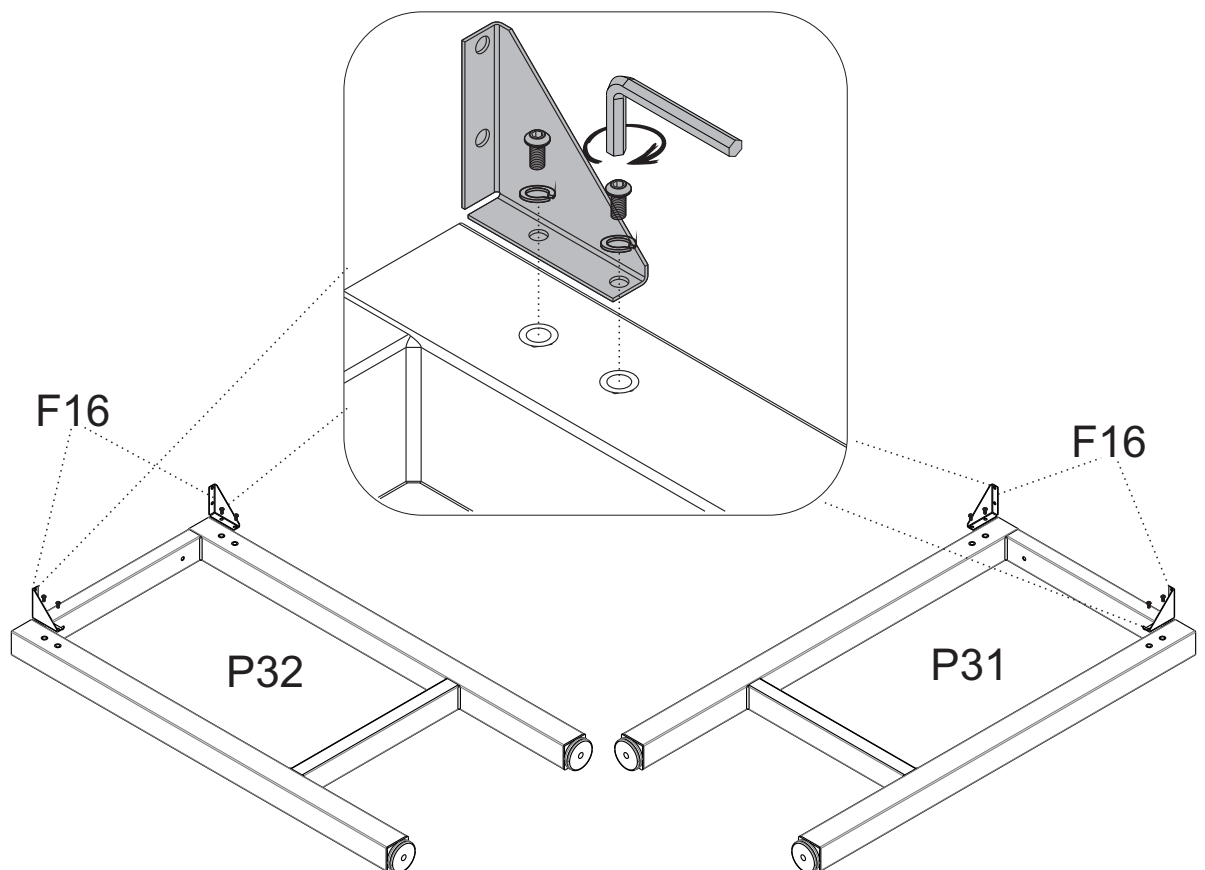
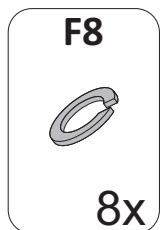
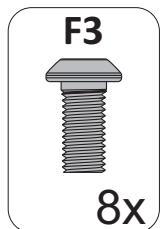
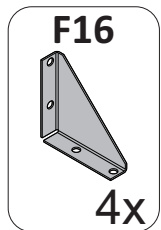
3x

STEP 1

1. Fit the shoes to frame **P32** and **P31** base and turn to screw. To level the height of the table, turn the shoe clockwise or counterclockwise until is aligned

**STEP 2**

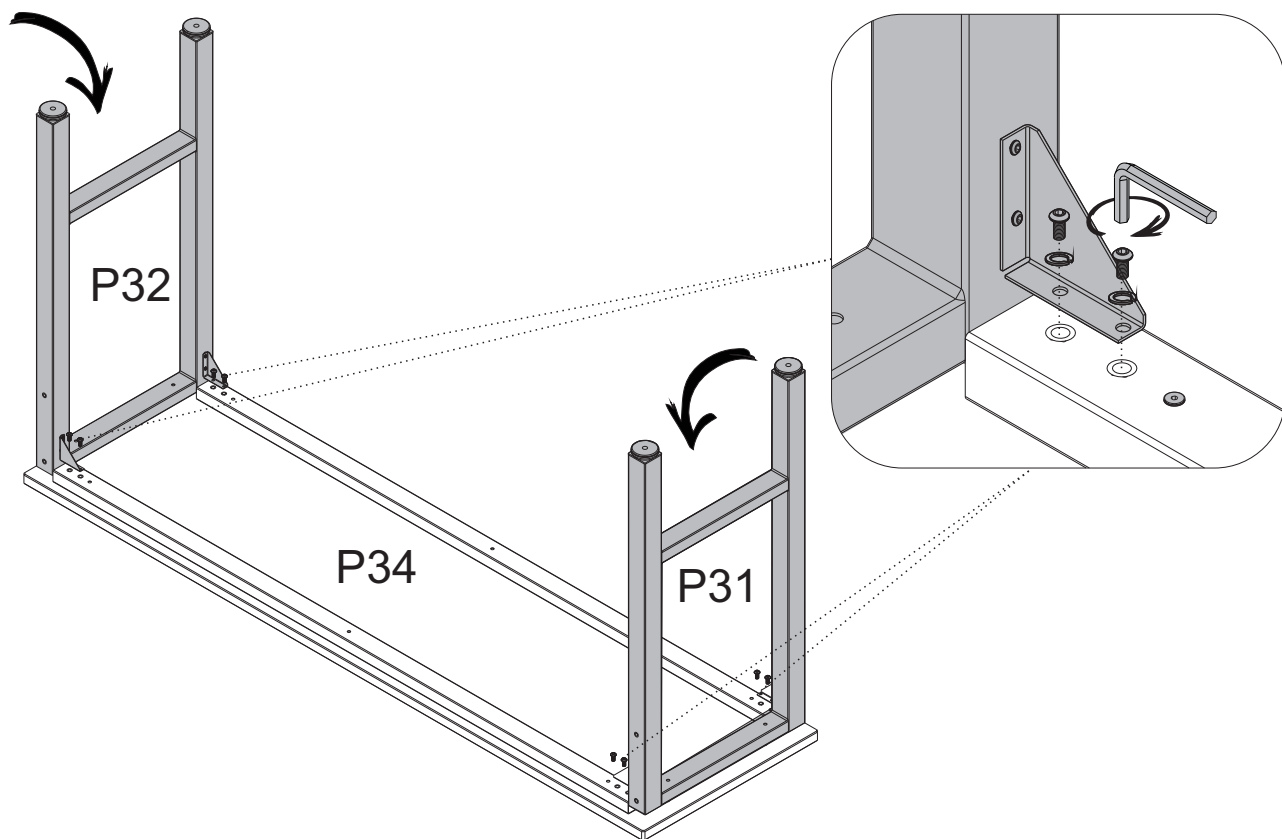
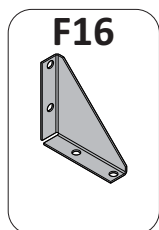
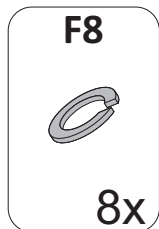
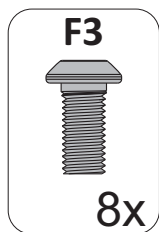
1. Align corner brackets **F16** to the upper sides of frames **P31** and **P32** and fix them with **F3** and **F8**.



STEP 3

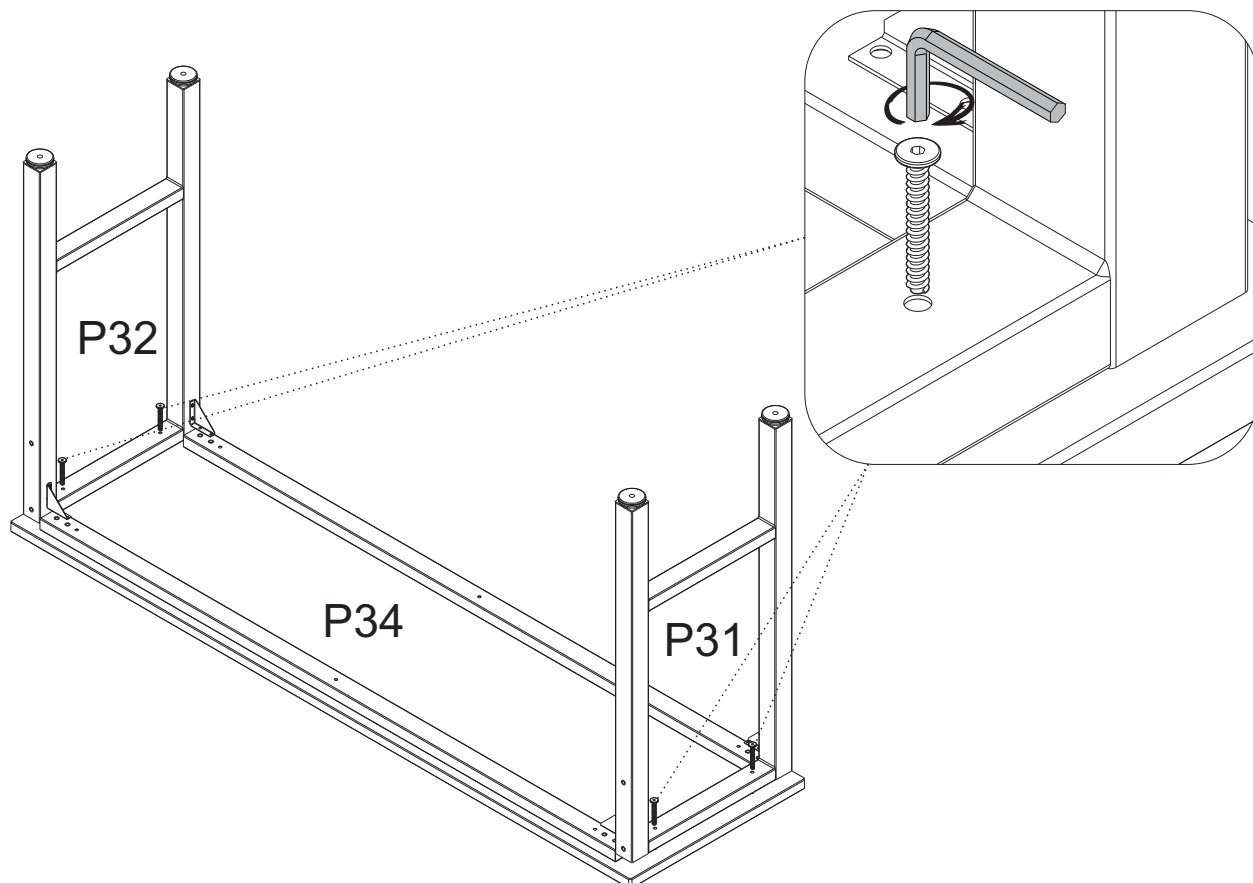
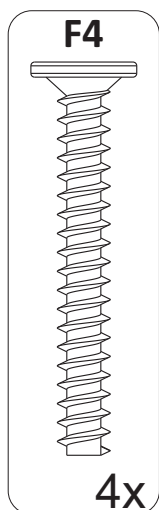
1. Align frames **P31** and **P32** to **P34**

2. Fix corner brackets **F16** to the metallic part of **P34**, with **F3** and **F8**



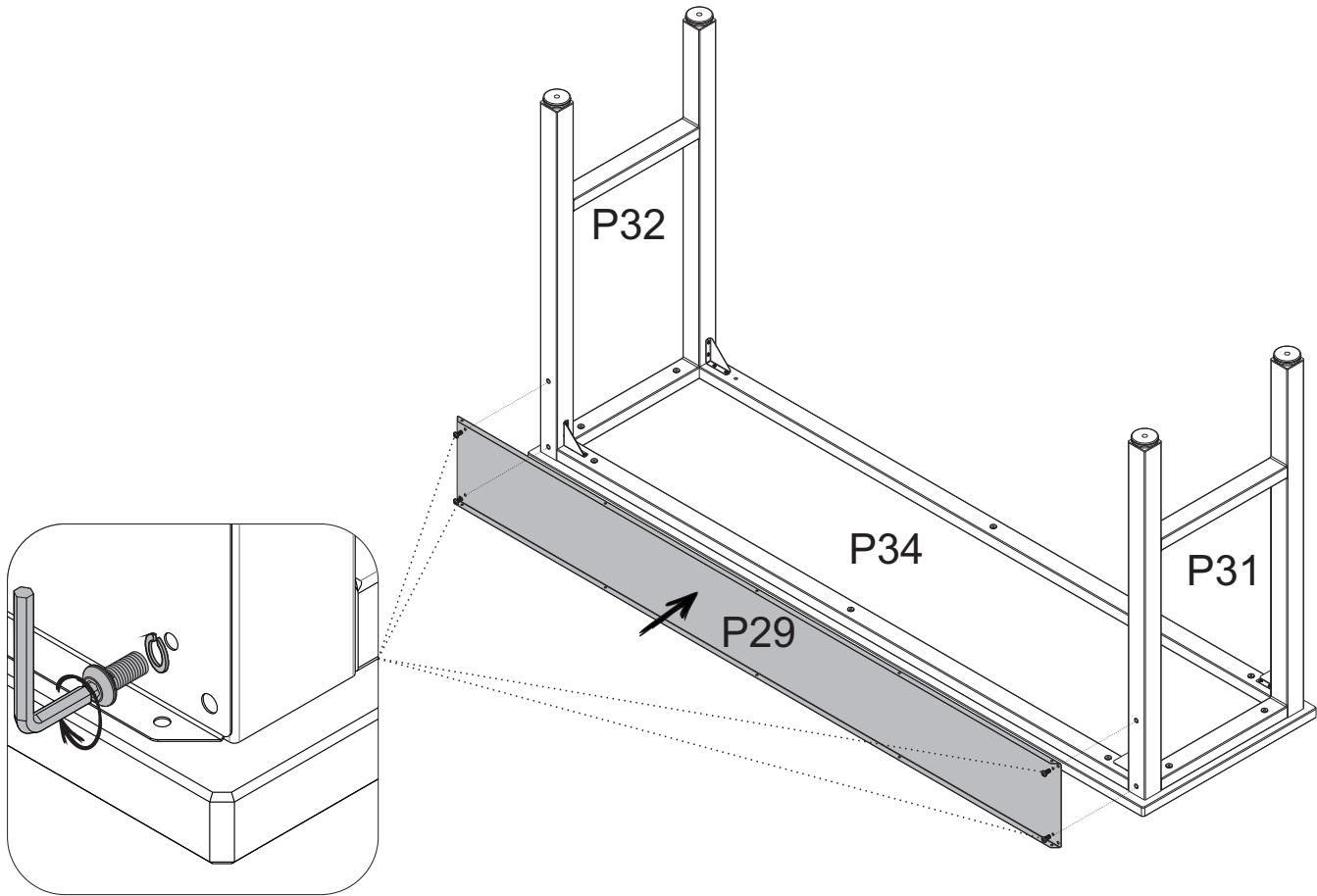
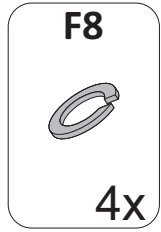
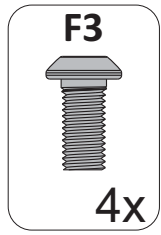
STEP 4

1. Then, fix frames **P31** and **P32** to the wooden part of part **P34**, with **F4**



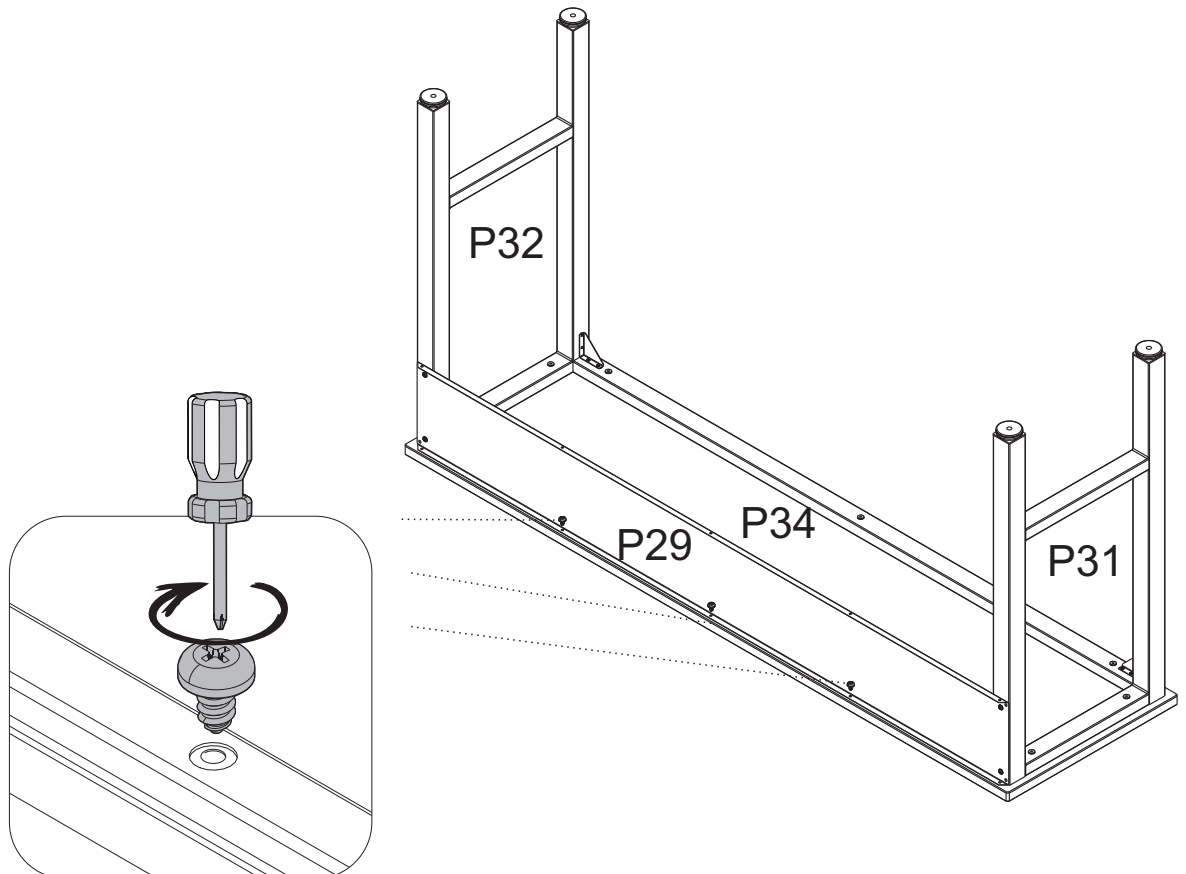
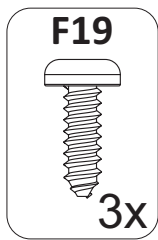
STEP 5

1. Align the part **P29** to frames **P31** and **P32**
2. Fix part **P29** to frames **P31** and **P32** with **F3** and **F8**



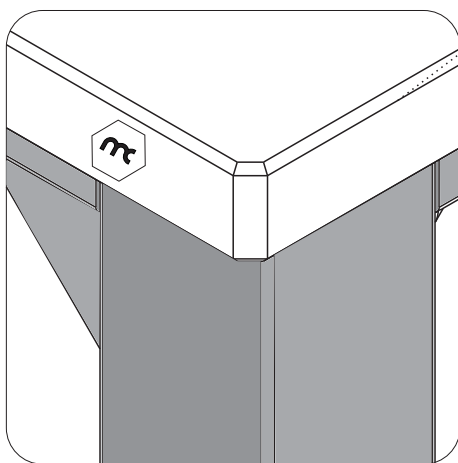
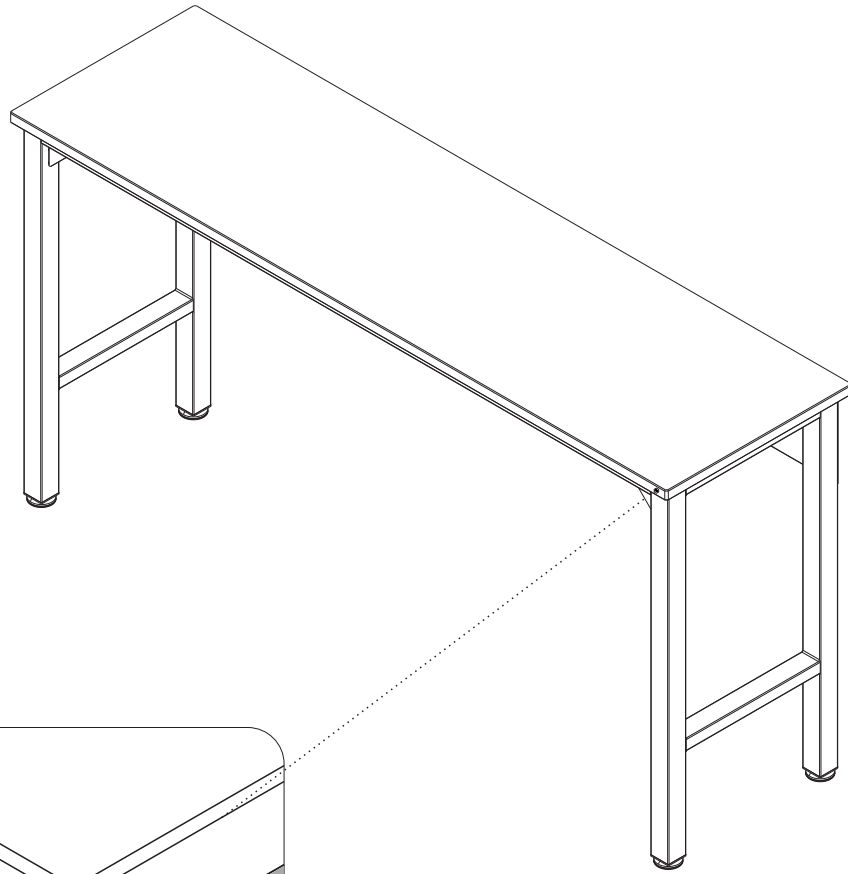
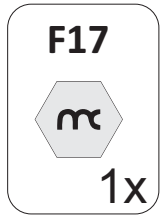
STEP 6

1. Fix part **P29** to part **P34** wooden side, with **F19**.



STEP 7

1 -Insert product logo





FORTRESS GARAGE WARRANTS TERMS

This product has the guarantee for a period of twelve (12) months, this limited warranty is effective from the date of the original consumer purchase. Proof of original purchase date is required to obtain service or replacement under this limited warranty. Once the defect of manufacture has been verified, the consumer should contact the store where he purchased the product. In the warranty period, any defective parts will be replaced free of charge by another of the same line and model. The installation and assembly in the residence of the customer is not the responsibility of the factory or the store. The assembly must correctly follow the instructions inside the packaging of each module.

ITEMS EXCLUDED FROM WARRANTS

This limited warranty does not cover:

1. In-home service including, but not limited to, service calls to correct the installation of any Manhattan Comfort Fortress Garage products or to instruct the consumer on how to use or install them.
2. Damage resulting from improper handling or shipping of products, or products damaged by accident, alteration, misuse, abuse, fire, flood, improper installation, acts of God, neglect, corrosion, modification or mishandling.
3. All travel, transportation, shipping or freight fees to deliver replacement products or to return defective products.
4. Factory specified replacement parts or product replacement when your product is used in other than normal, single-family household use, such as a commercial environment or handled in a manner contrary to published user or operator instructions and/or installation instructions.
5. Aesthetic damages including scratches, dings, dents or cracks that do not affect the structural or functional capability of the product.
6. Any labor costs during the limited warranty period.
7. Damage resulting from improper loading beyond the specified maximum weight capacity outlined in the assembly instructions provided with the product including overloading of hooks, baskets, shelves, cabinets, and other Manhattan Comfort Fortress Garage accessories used with the product.
8. Surfaces damaged due to chemical interaction resulting in corrosion of paint or metal.
9. Replacement keys or locking mechanism.

The cost of repair or replacement under these excluded circumstances shall be borne by the customer.

DISCLAIMER OF IMPLIED WARRANTY

Implied warranties, including any implied warranty of merchantability or implied warrant of fitness for a particular purpose, are limited to one year or shortest period allowed by law.

LIMITATION OF REMEDIES; EXCLUSION OF INCIDENTAL AND CONSEQUENTIAL DAMAGES

Your sole and exclusive remedy under this limited warranty shall be product repair as provided herein. Manhattan Comfort Fortress Garage shall not be liable for incidental or consequential damages.

TAKING GOOD CARE OF YOUR CABINET

Cleaning and caring instructions:

Avoid dragging objects on top of the cabinet. They might scratch the finishing.

Only non-abrasive natural chemical products are recommended to clean your cabinet. Simply wipe the cabinet down with a wet cloth to remove the cleaning product excess.

Never clean the cabinet with scouring powders, steel scrubber pads or any other product which can scratch its surface.

Chemical products are not recommended.

Cabinet surfaces should not be covered with colored plastic or paper sheets.

Acid substances must remain properly stored in sealed containers.

Avoid the direct contact of water with other surfaces, as the humidity can affect the durability of the cabinets.

Avoid cabinets exposure to direct Sun light. Drapers suggested.

This guidance should be saved for future reference, if necessary.



Stuck? Questions? We are here to help.

1-888-230-2225

help@manhattancomfort.com