

Unpacking and Checking Contents

For your own safety, never connect plug to power source outlet until all assembly steps are complete and until you have read and understood the entire owner's manual.

Model GTA3800 Miter Saw Stand is shipped complete in one box.

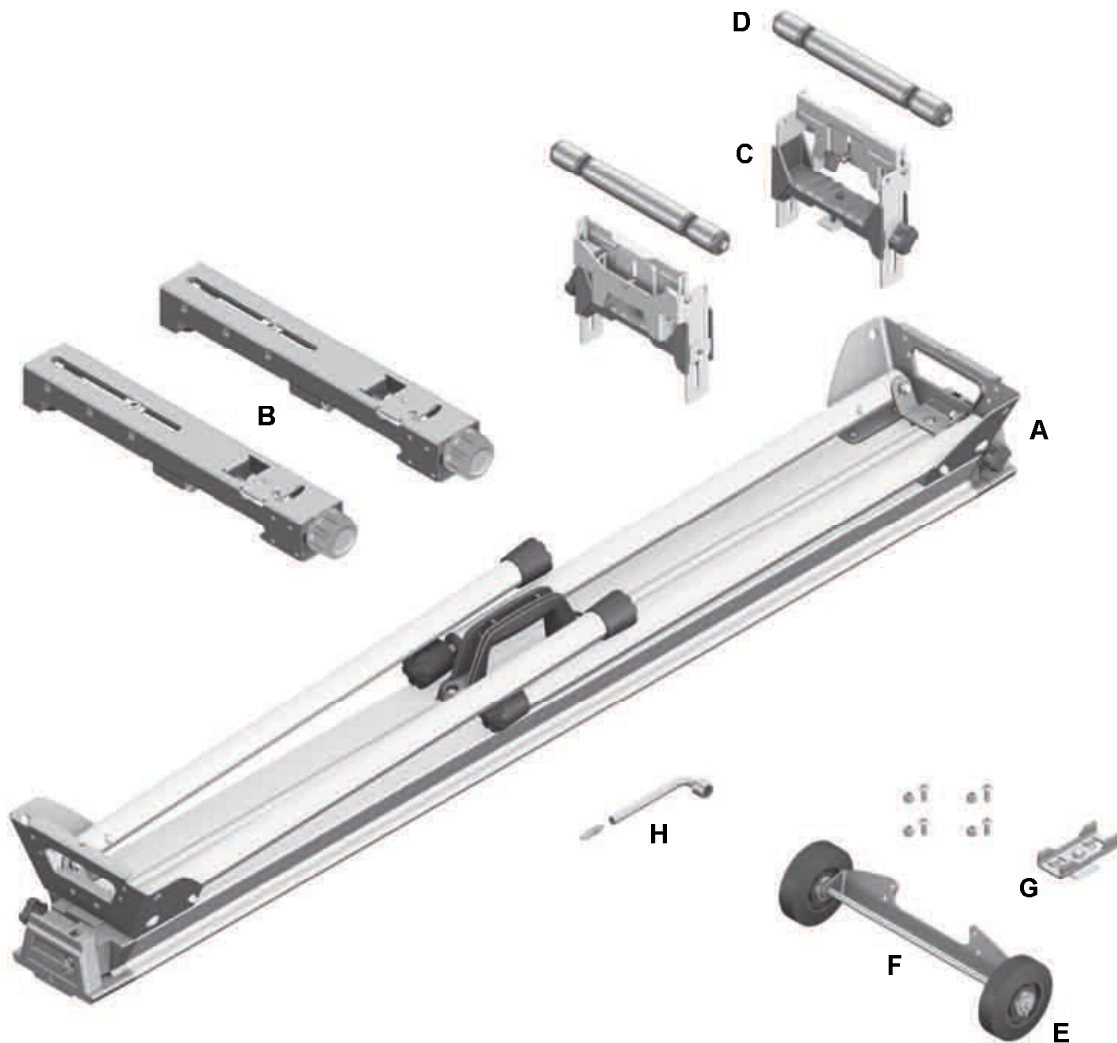
UNPACKING AND CHECKING CoNTENTS

Separate all parts from packing materials and check each one with the "Table of Loose Parts" to make sure all items are accounted for before discarding any packing material.

⚠ WARNING If any parts are missing, do not attempt to assemble the stand until the missing parts are obtained and are installed correctly.

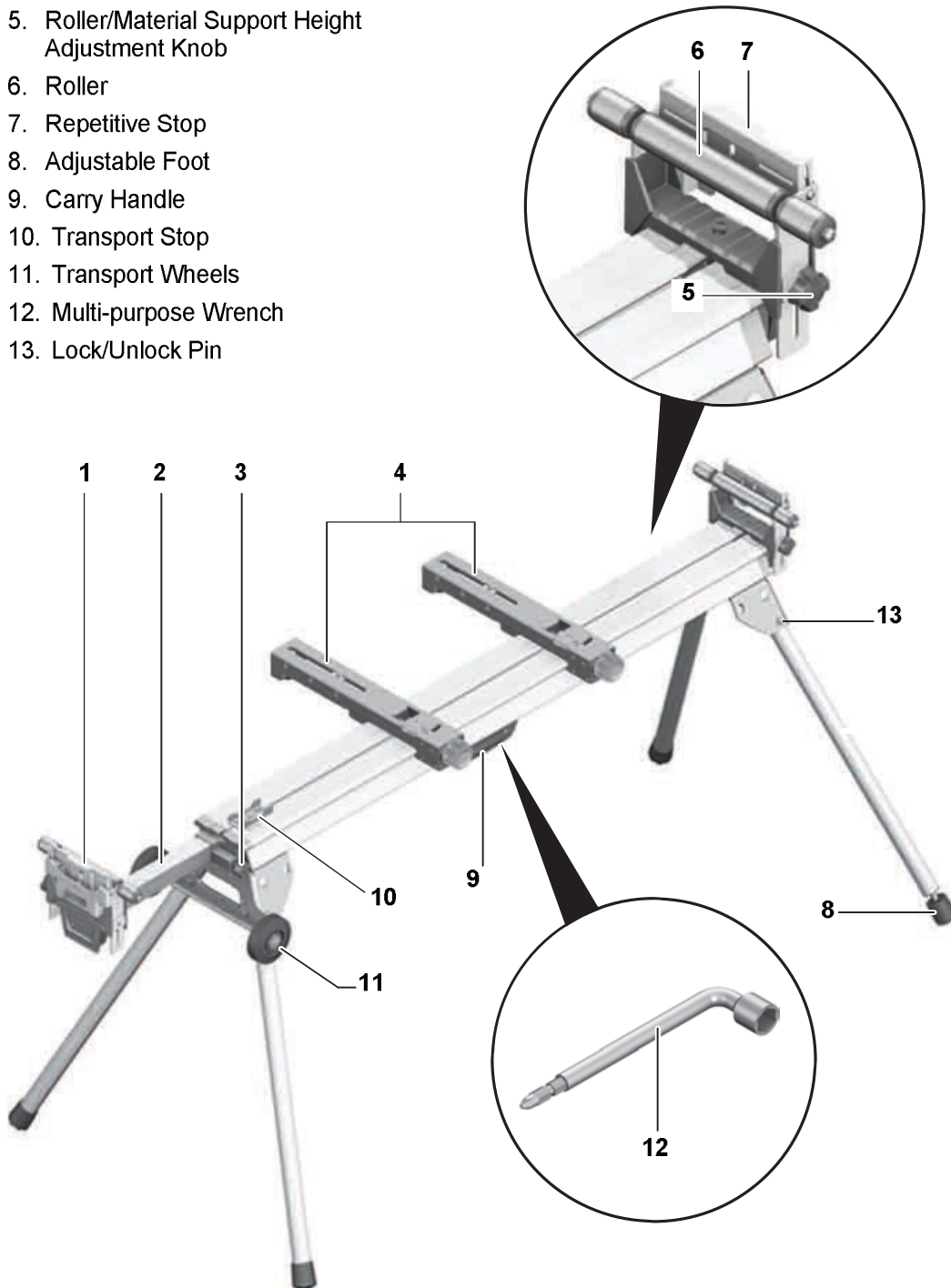
Table of Loose parts

ITEM	DESCRIPtIo N	QTY.
A	Miter Saw Stand	1
B	Tool Mounting Bracket	2
C	Material Support	2
D	Roller Set	2
E	Wheel	2
F	Wheel Axle	1
G	Transport Stop	1
H	Multi-purpose Wrench (in stand handle)	1



Getting To k now Your Miter Saw Stand

1. Roller/Material Support with Repetitive Stop
2. Table Extension
3. Table Extension Lock Knob
4. Tool Mounts
5. Roller/Material Support Height Adjustment Knob
6. Roller
7. Repetitive Stop
8. Adjustable Foot
9. Carry Handle
10. Transport Stop
11. Transport Wheels
12. Multi-purpose Wrench
13. Lock/Unlock Pin



Assembly

TOOLS NEEDED FOR ASSEMBLY

- Included Multi-purpose Wrench

PREPARING THE STAND

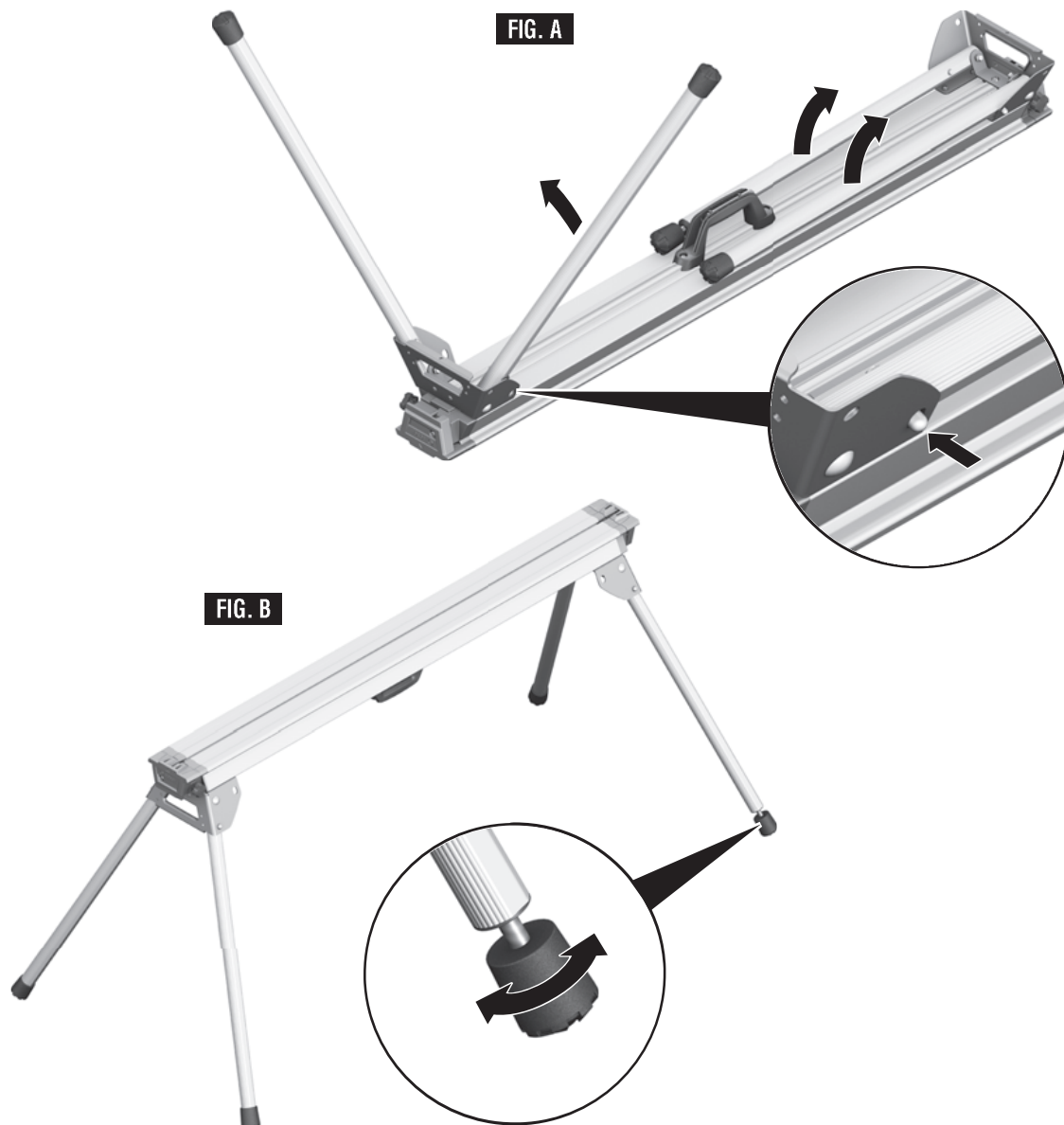
1. Lay the stand's top surface down on the floor with the folded legs on top.
2. Push in a leg locking pin and rotate that leg up until the locking pin clicks into place. See Figure A.
3. Repeat with the remaining three legs.
4. Lift the stand by the carrying handle and place it in an upright position.

TO LEVEL STAND

The stand is equipped with an adjustable foot for leveling the stand.

To adjust, turn the foot clockwise to raise leg or counter-clockwise to lower the leg. See Figure B.

⚠ WARNING To reduce the risk of injury, insure the stand is stable and level before operating the saw. Choose a level area to set-up the stand and adjust the adjustable foot so that all four legs are touching the ground.

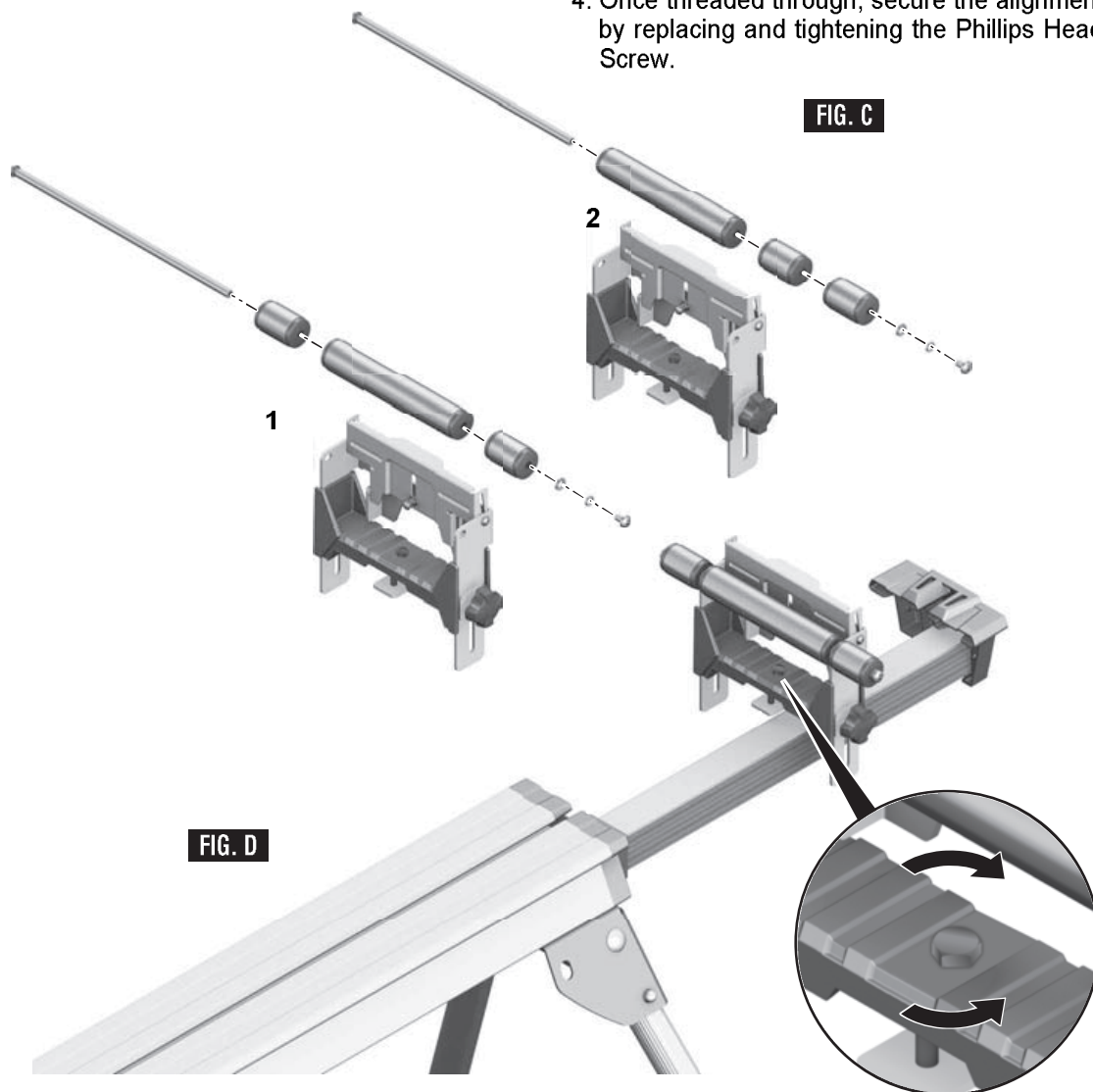


MoUNTING THE RoLLER/MATERiAL SuPpoRT AND REpETITivE StOp

1. Loosen the lock knobs and pull out both table extensions approximately 4-inches (102 mm) and lock into place.
2. With the Repetitive Stop facing outward, slide the Roller/Material Support onto the mounting plate with the bolt fitting into the vertical slot. Make sure the material support fully seats onto the mounting plate. See Figure D.
3. Using the supplied Multi-purpose Wrench, tighten the hex bolt until the Roller/Material Support is secured.
4. Test for a secure fit by unlocking the table extension and moving it in and out by the Material Support. The Material Support should remain secured.

MoUNTING THE RoLLERS To THE MATERiAL SuPpoRT

1. Unscrew the Phillips screw of the roller stand with the Multi-purpose tool provided and disassemble. If required, hold the lock nut on the other side of the roller using a wrench (10 mm).
 2. See Figure C for the two different configurations, depending on the size miter saw you are using, for aligning the individual rollers to the material support with the internally threaded rod.
- Configuration 1 offers even support on both sides for larger miter saws, while configuration 2 offers more support on either the front or back for smaller sized miter saws.
3. Arrange the individual rollers as required and slide the threaded rod through the rollers and material support.
 4. Once threaded through, secure the alignment by replacing and tightening the Phillips Head Screw.

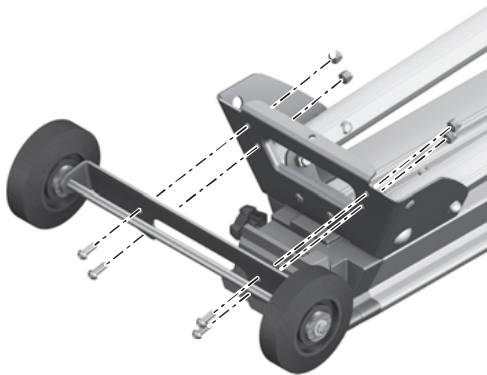


ASSEMBLING TRANSPORT WHEELS

The Transport Wheels allow the user to relocate the stand without moving the saw. The wheels can be attached to either the right or left side of the stand.

1. Lay the stand upside down on the floor with folded legs facing upward.
2. Line up the Transport Wheel Assembly with the hole pattern either on the right or left side of the stand.
3. Utilize the included Multi-purpose tool and insert the M6 x 12mm Allen head screw through the wall and attach the M6 Nylok Nut. Repeat with three (3) remaining and tighten.
4. Roll the stand over so it is lying on its wheels and the stand should roll across the ground smoothly when using the opposite end as a handle.

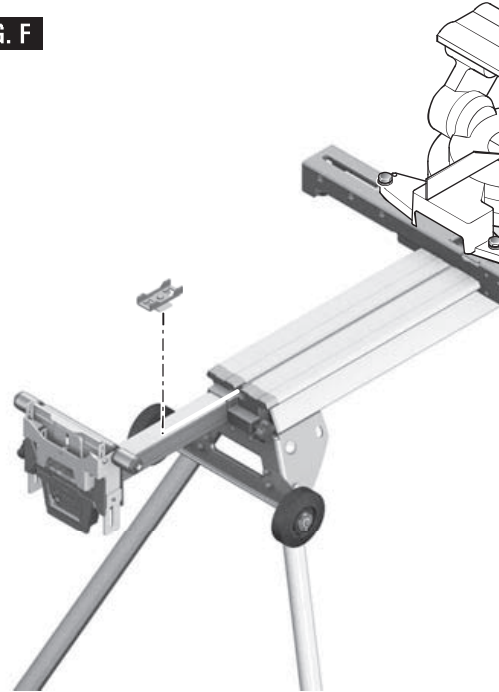
FIG. E



TRANSPORT STOP

1. The GTA3800 includes a Transport Stop to help prevent the saw from sliding off the stand in the event it is not secured to the table prior to transport.
2. Loosen the locking knob on the side of the saw stand on which the transport wheels are fastened and pull the table extension out about 4-inches (102 mm).
3. Insert the transport stop into the groove in the table top surface and slide it so it is completely within the main table; beyond the blue end cap.
4. Use the Multi-purpose tool to firmly tighten the hex bolt in the stop so it does not move and will help prevent the tool from slipping down during transport.

FIG. F



TRANSPoRTING STAND WITH SAW

1. Make sure the tool mount lock knobs on each mount are in the open and unlocked position (see fig. I, p10).
2. Slide saw along table top surface until it is against the Transport Stop (see page 8).

Note: For most comfortable transport, saw should be positioned at the end of the stand closest to the Transport Wheels. Adjust Transport Stop, if necessary.

3. Close and lock the Extension Rails (see page 12).

Note: Sticker designating lift handle location affixed to stand end cap. These are your lift handles and should be used when lifting the stand for the following procedures.

4. Fold stand legs: Begin at end with installed Transport Wheels. First, lift stand at designated lift handle. Push in a leg locking pin and rotate that leg up until the locking pin clicks into place. (See page 6) Repeat for second leg and lower stand down onto wheels.
5. Repeat same step on opposite side, folding legs into place.
6. To transport, grip the lift handle (Fig. G) and roll to location on Transport Wheels (Fig. H).
7. To setup stand for use, follow same instructions above, starting with either side of stand desired.

FIG. G

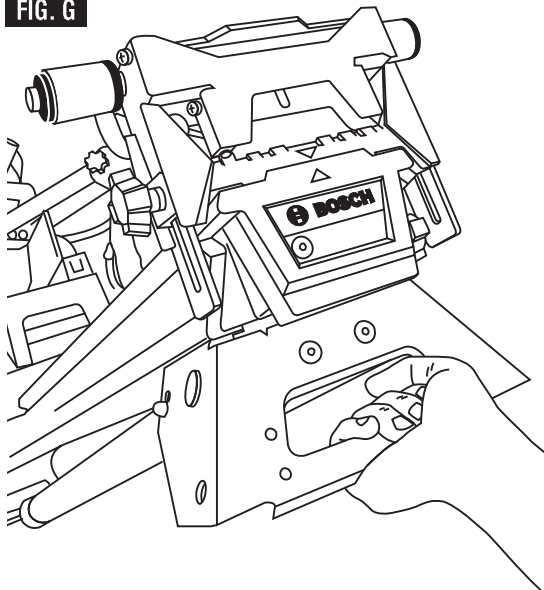
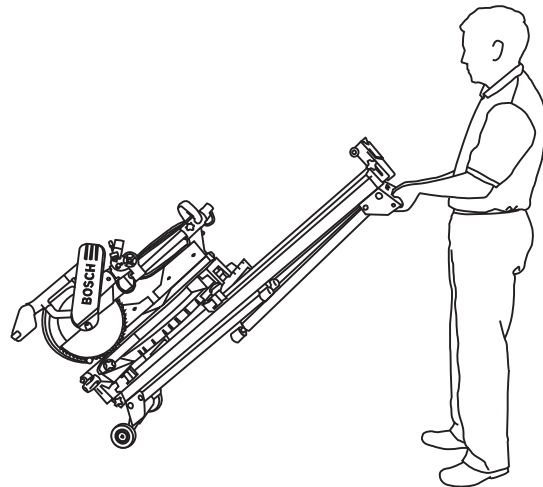


FIG. H

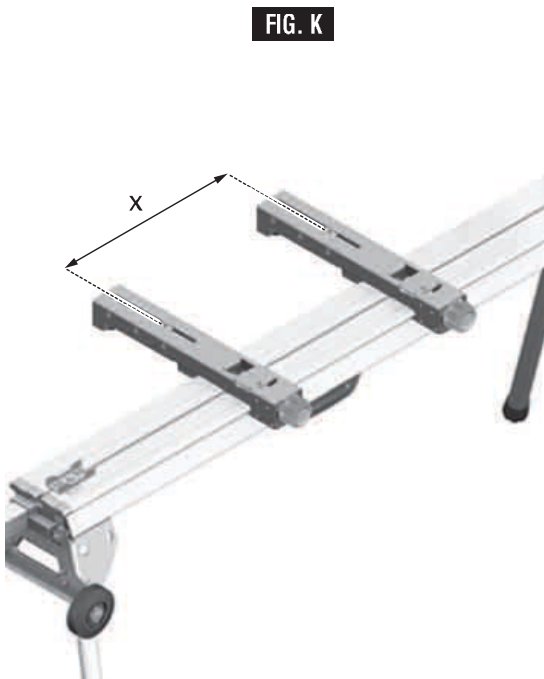
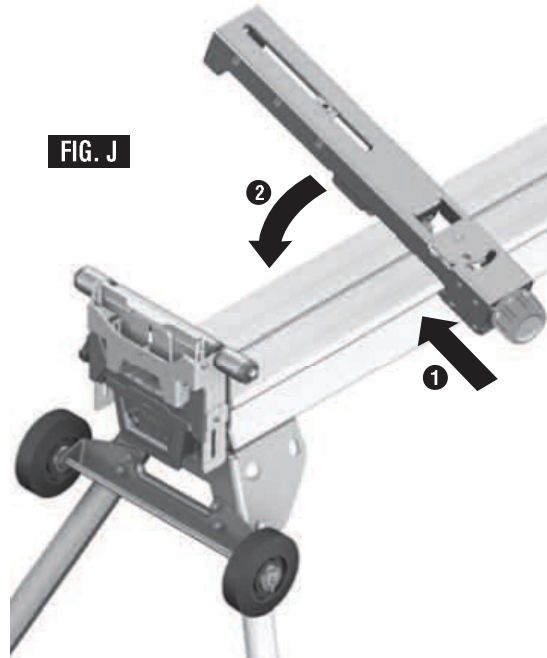
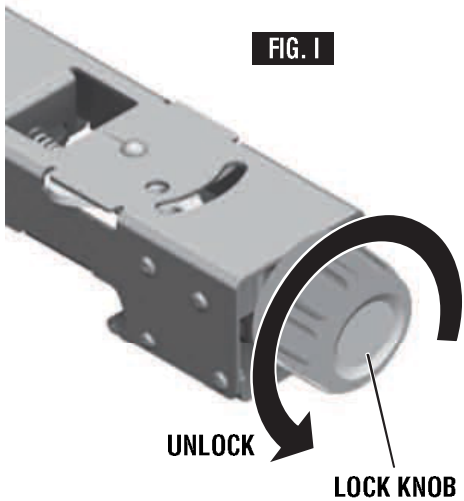


Mounting Miter Saw To Stand

Note: Unfold legs and set saw up in working position. (See page 6 for instructions.)

1. Locate the tool mount assemblies, place one (1) on the rail against the red tool mount secondary stop, and rotate the lock knob clockwise to the locked position, as shown in figures I and J and L.

2. Measure the width of the rear mounting holes of the miter saw, place the other tool mount on the rail with the same distance apart as shown in figure K, and rotate the lock knob clockwise to the locked position.

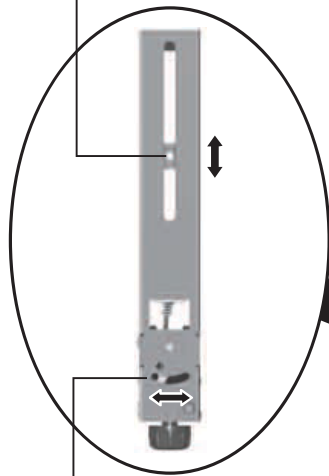


- Place miter saw on top of the tool mounts, Figure M. Align mounting holes by adjusting rear sliding nuts and front swivel nuts. Be sure the front of the saw is aligned to the front of both tool mounts.
- Place one (1) M6 flat washer onto one (1) 8 mm x 45 mm bolt, and insert through

miter saw base and loosely tighten into tool mounts.

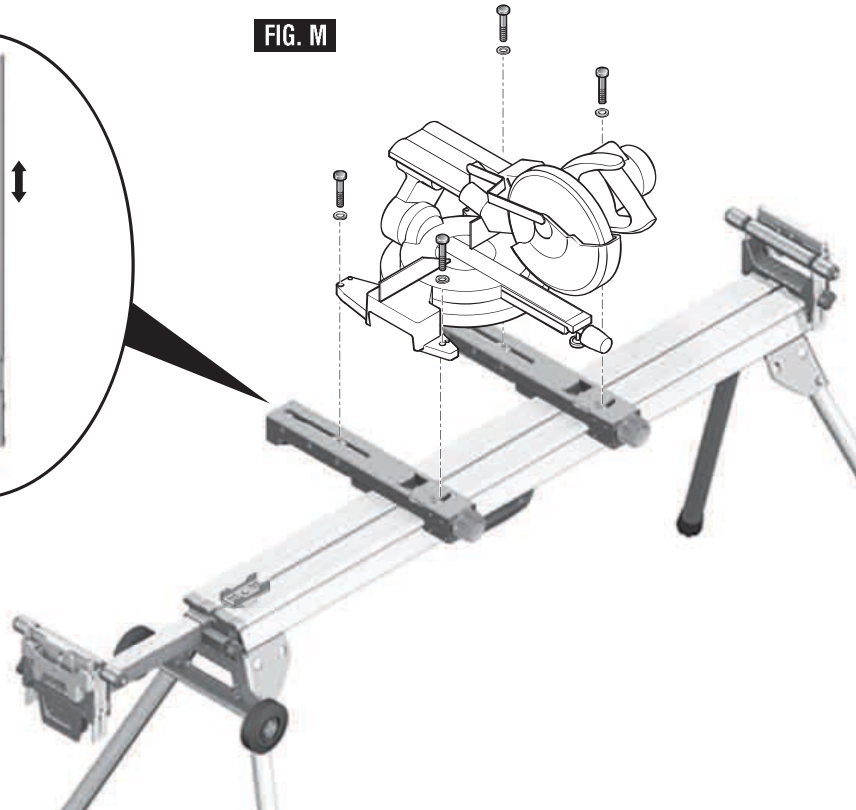
- Repeat step 4 of this procedure for the remaining three (3) hole locations.
- Securely tighten all four (4) bolts. Do not over tighten.

REAR
SLIDING NUT



FRONT
SWIVEL NUT

FIG. M



REMOVE SAW FROM STAND (WITH TOOL MOUNTS ATTACHED)

- Make sure the tool mount lock knobs on each mount are in the open and unlocked position (see fig. I, p10).
- Locate the carry handles at the base of the saw. Place one hand on the saw base handle and the second on the saw's top handle if available. Holding tightly, tilt the saw (with the tool mounts still attached) toward yourself and lift it from the stand.

ATTACH THE SAW TO THE STAND (WITH TOOL MOUNTS ATTACHED)

- Make sure the tool mount lock knobs on each mount are in the open and unlocked position (see fig. I, p10).
- Locate the carry handles at the base of the saw. Place one hand on the saw base

handle and the second on the saw's top handle if available. Lift the saw to the rail assembly.

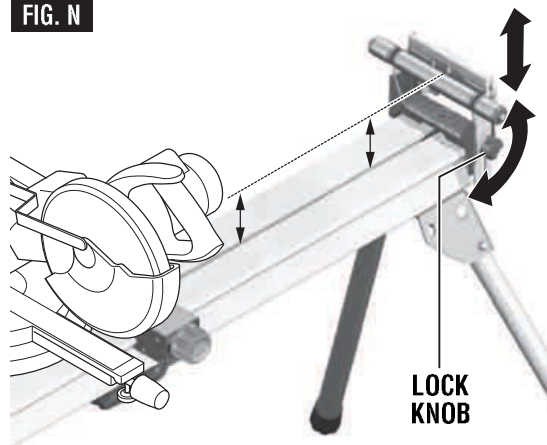
- Line up the left tool mount next to the red secondary stop on the rail assembly as close as possible.
- Tilt the saw until the front jaws of both tool mounts are engaged on the rail. With both hands on the saw handles, guide the saw back to its level position on the rail (See Page 10).
- Rotate lock knob on each tool mount to the locked position (see fig. L, p10).

WARNING Be sure both tool mounts are in the locked position before operating or transporting the saw.

Work HEIGHT SUPPORT ADJUSTMENT

1. Loosen the locking knob located at the end of the expansion rail, as shown in figure N, and raise the work height support so it is level with the table top of the attached miter saw.
2. Retighten knob and repeat on opposite side.

FIG. N



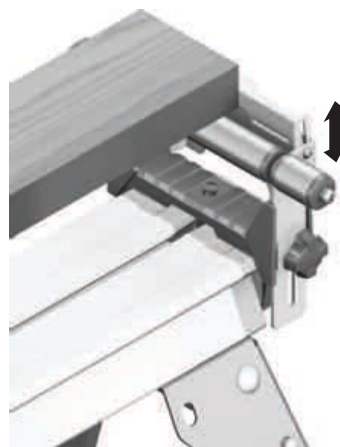
REPETITIVE STOP ADJUSTMENT

To raise the repetitive stop: Lift up and in place as shown in figure O.

To stow: Push the repetitive stop in toward the rail assembly and down.

Repeat on opposite side.

FIG. O



USING THE EXTENSION RAILS

See Figure P.

Use the extension rails when working with larger workpieces.

To extend the rails:

1. Loosen the extension adjustment knob.
2. Extend the rail to the desired position.
3. Tighten the extension adjustment knob.

FIG. P

