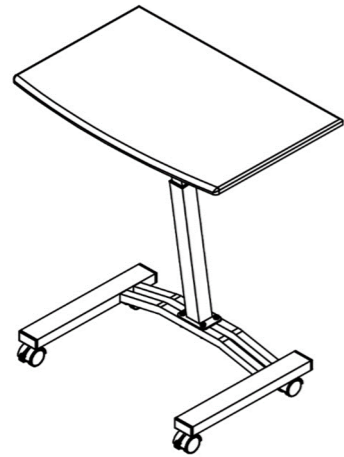


seville classics®

Mobile Laptop Desk Cart



Model: OFF65994B

Thank you for choosing Seville Classics! We hope that you enjoy your laptop desk cart! Please read through this guide for parts list, assembly instructions, frequently asked questions and further contact information.

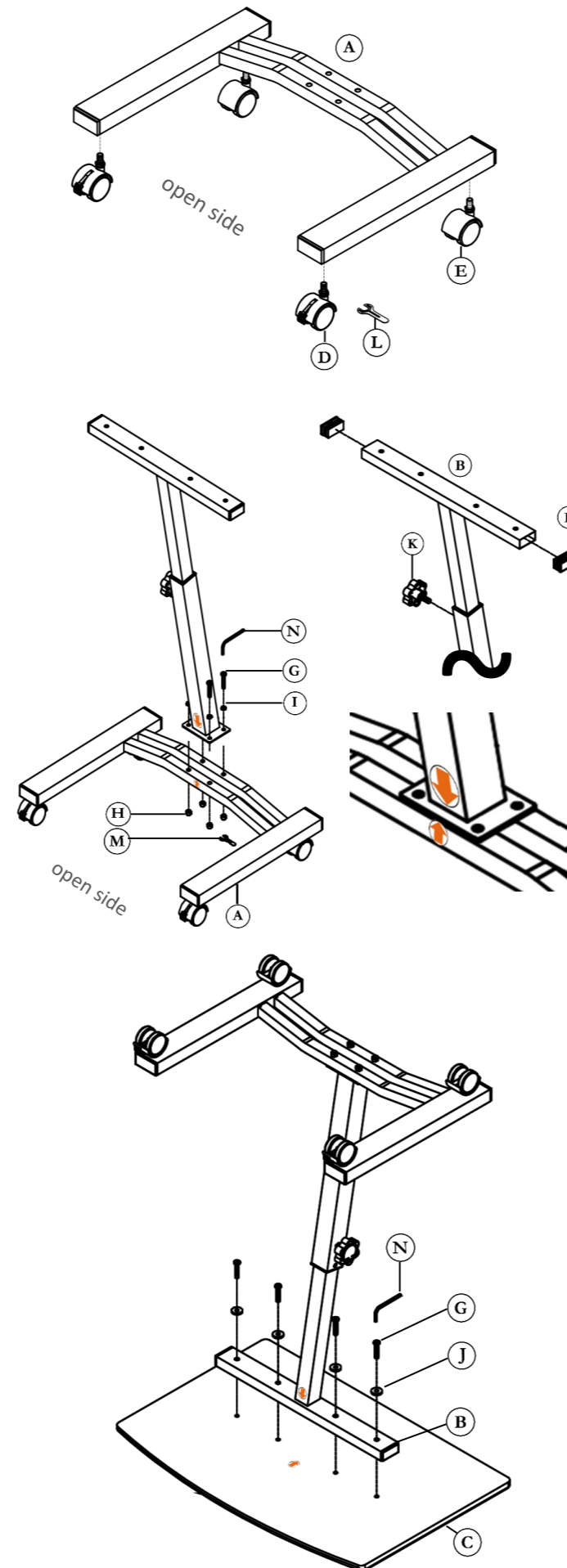
Parts List

A. Base (1)		G. Screw (8)	
B. T-Bar (1)		H. Nut (4)	
C. Top (1)		I. Split washer (4)	
D. Locking casters (2)		J. Washer (4)	
E. Caster (2)		K. Knob (1)	
F. Cap (2)		L. 12 mm wrench	
		M. 11 mm wrench	
		N. Hex Key	

Please make sure you have all the parts on this list.

If you're missing parts, contact us for replacements at (800) 323-5565 or send an email to Support@SevilleClassics.com

Assembly Instructions



STEP 1

Screw **LOCKING CASTERS (D)** to the open side of the **BASE (A)**. Install **CASTERS (E)** to opposite side.

Tighten until snug with **12 mm WRENCH (L)**.

STEP 2

Align arrows on **T-BAR (B)** and **BASE (A)**.

Attach with **SCREWS (G)** through **SPLIT WASHERS (I)** into **NUTS (H)**.

Hold nuts with **11 mm WRENCH (M)** to tighten.

IMPORTANT: Make sure arrows match and T-bar points toward open side of **BASE (A)**.

STEP 3

Press **CAPS (F)** into both ends of **T-BAR (B)**.

Press T-bar fully into neck.

Screw in **KNOB (K)** to until snug to secure.

STEP 4

Set **TOP (C)** facedown on a flat and soft surface like carpet or a blanket.

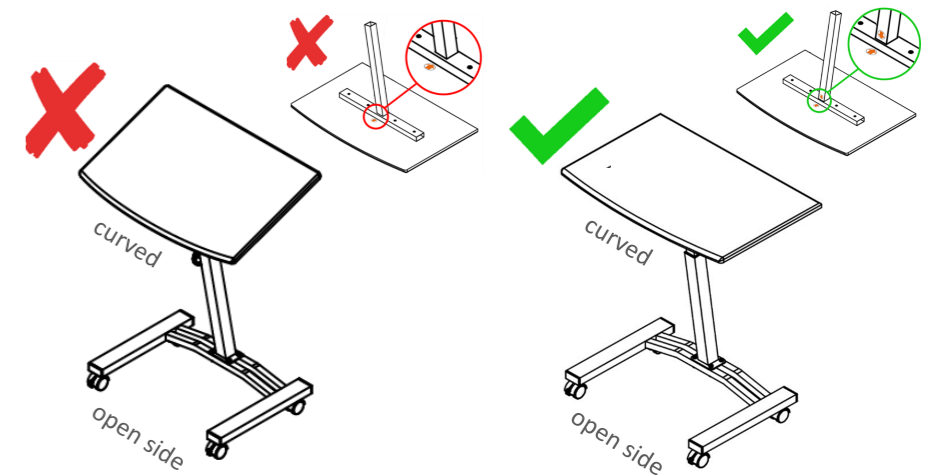
Align arrows on **T-BAR (B)** and **TOP (C)**.

Attach with **SCREWS (G)** through **WASHERS (J)**.

IMPORTANT: Make sure arrows match and T-bar points away from curved side of top.

Make sure all screws on top, T-bar and base are snugly attached.

Troubleshooting



INCORRECT

If the table slants, the T-bar is incorrectly assembled. Uninstall T-bar from top, rotate 180 degrees and reinstall.

CORRECT

Table sits flat. Curved side of top faces user. Arrows on top and T-bar match.

FAQ's

Q. Can I use it without the wheels?

A: Sure! Leave the wheels off to use directly on the floor. This works well on carpeted surfaces and near furniture with low floor clearance. Be careful! The base is steel and can scratch floors without wheels.

Q: Can I use as a sit-stand workstation?

A: Yes, but the table only rises to 32 inches—about the average height of a normal desk. Seville Classics offers a different Sit-Stand Desk Cart with Side Table (model #: WEB234) that lifts up to a full 40 inches.

Specifications

Dimensions: 23.75" W x 16" D x (20.5" to 32" H)

Maximum weight capacity: 15 lbs.

Weight: 11 lbs.

Customer Service Information

Telephone: (800) 323-5565

Fax: (310) 533-3899

Hours: 8:30 AM – 4:30 PM (PST)

Email: Support@SevilleClassics.com

Homepage: www.SevilleClassics.com