

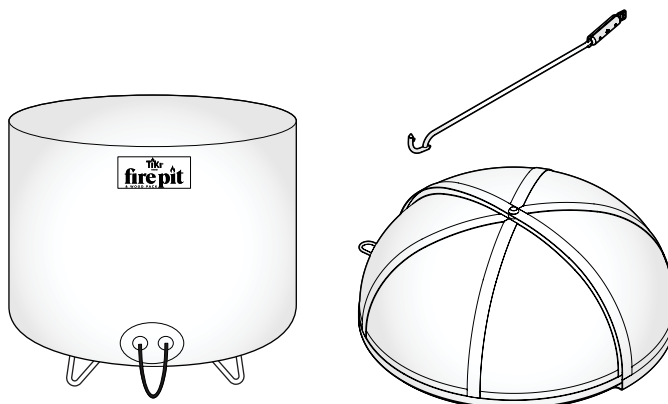
TIKIBRAND.COM

Questions, problems, missing parts? Call Customer Service
1-888-473-1088



INSTRUCTION AND USE MANUAL

TIKI® BRAND FIRE PIT ACCESSORIES



©2019 LAMPLIGHT FARMS INC.

Safety Information



WARNING: Do not use TIKI® Brand Fire Pit Accessories until you have read this instruction sheet. Failure to do so can cause death, serious injury, or property damage.

- The Fire Pit Screen will get very hot. Ensure the Fire Pit and Fire Pit Screen have completely cooled before touching or removing the screen. If you must remove or contact the Fire Pit Screen before it has cooled, ensure you are wearing protective gear such as pot holders, heat-resistant gloves, BBQ mittens, or hot pads.
- DO NOT place a hot Fire Pit Screen or hot accessories onto combustible surfaces such as grass, a wooden deck, or furniture.
- Keep all accessories (Fire Pit Cover, Fire Pit Screen, and Fire Pit Poker) away from and out of the reach of children. Accessories should only be used by adults.
- Inspect and clean the Fire Pit Screen and Fire Pit Poker on a regular basis.
- After a period of storage and/or non-use, check for signs of damage and creosote build-up. DO NOT use until necessary repairs and/or cleanup are executed.
- It may be necessary to shift the pellets or firewood to allow additional airflow while in operation. Only use the Fire Pit Poker for this purpose and ONLY use the poker to open and close the Fire Pit Screen as the screen will be extremely hot. If you need to contact the Fire Pit Screen to open and close it, wear protective gear such as pot holders, heat-resistant gloves, BBQ mittens, or hot pads.
- DO NOT place the Fire Pit Cover on the Fire Pit until it has completely cooled and any embers or pellets have been extinguished.
- The Fire Pit Cover should be hand washed only, using a soft brush and water. DO NOT use bleach or cleaning products.
- Fire Pit Accessories should be used on TIKI® Brand Fire Pit products only.

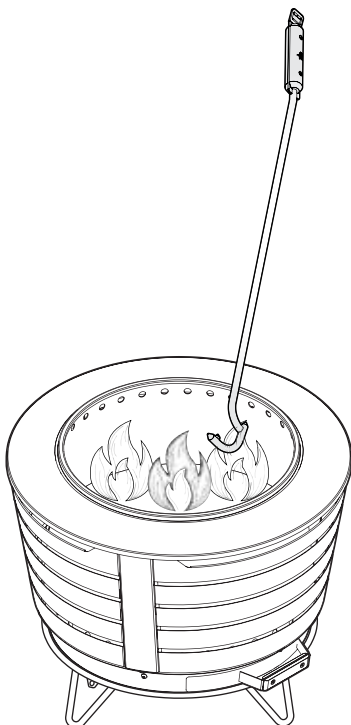
Warranty

2-Year Limited Workmanship Warranty — Visit tikibrand.com/our-guarantee for more information.

Operation

Using the Fire Pit Poker

Use the Fire Pit Poker to safely open and close the Fire Pit Screen or to stir burning embers within the Fire Pit when a fire becomes low.

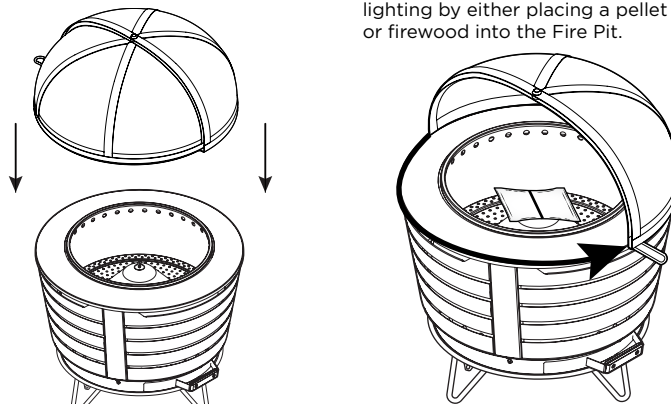


Operation

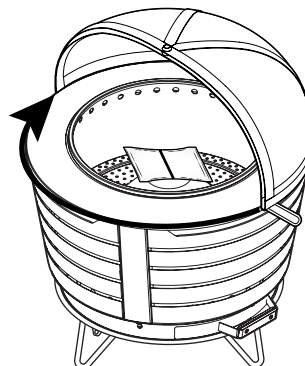
Using the Fire Pit Screen

Before lighting a fire, place the Fire Pit Screen over the Fire Pit until nested.

Open the Fire Pit Screen by sliding the handle over. Prepare the Fire Pit for lighting by either placing a pellet bag or firewood into the Fire Pit.



Use protective gear to grab the handle and close the Fire Pit Screen after lighting a fire as the screen will be hot.



Operation

Using the Fire Pit Cover



WARNING: Do not place the Fire Pit Cover over a hot Fire Pit. Allow the Fire Pit to cool before covering.

Fully open the bottom of the Fire Pit Cover to allow it to fit completely over the Fire Pit. Once covered, pull the drawstring at the bottom of the Fire Pit Cover until the cover fits snugly around the Fire Pit, protecting it from direct contact with the elements.

