

INSTALLATION INSTRUCTIONS

If the top of the post sleeve is hollow, at least for the first 1" or more, skip to step 2.

1. Set mounting bracket (A) on solid wood surface and install two #8 x 1-1/2" screws into the two recessed holes in the solid wood surface. Proceed to step 4.
2. Set mounting bracket (A) inside post sleeve supported by lip. Note there are four scored lines on two sides of mounting brackets; these lines assist in lining up screw locations.
3. Line up four #8 x 3/4" self-tapping screws on outside of post sleeve 1/2" below top of mounting bracket (A) and in line with scored lines on top. Install screws through post sleeve and through the side of mounting bracket for all four screw locations. **IMPORTANT: DO NOT OVER-TIGHTEN SCREWS.**
4. Place post base (B) over sleeve and mounting bracket (A) lining up holes with mounting bracket holes (A). Do not install screws until step 6.*
5. Place cup-holder (C) unit into post base (B) being sure it seats completely and squarely in place and screw holes line up with post base (B) and mounting bracket (A) holes.
6. Install four #10 x 2.5" screws through holes in all three components (cup-holder (C) unit, post base (B), mounting bracket (A)). **IMPORTANT: DO NOT OVER-TIGHTEN SCREWS.**

7. Place coaster disc (D) into bottom of cup holder.
8. Place post cap (E) on top of cup holder (C) unit.
9. Install solid cap plug (F) into top of post cap (E).

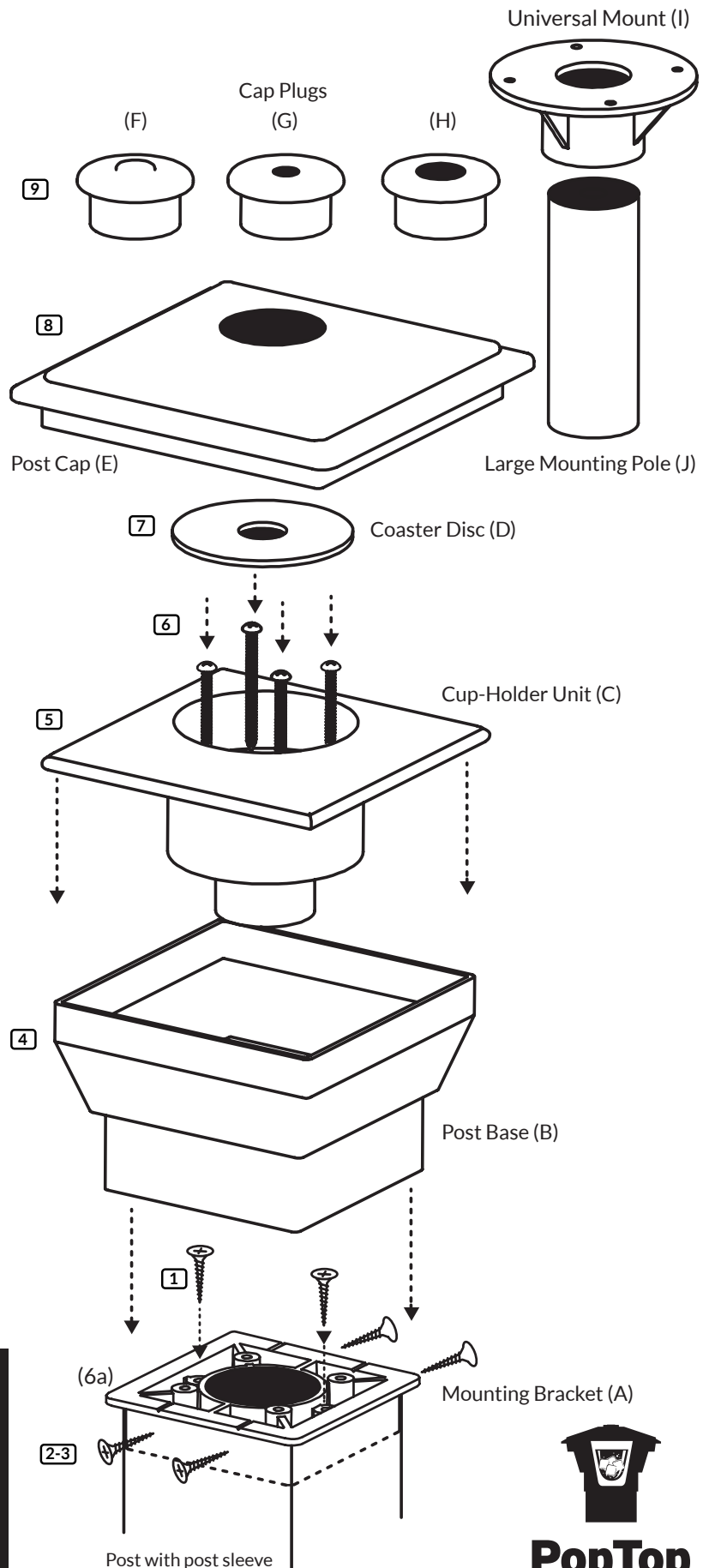
To install small rod item, such as a small flag, remove solid cap plug (F) and replace it with small rod plug (G).

To install small pole item, such as solar light, remove solid cap plug (F) and replace with small pole plug (H).

To install large pole item, such as bird house, install flange adaptor (I) to item (such as bird house) that you wish to place on top of PopTop. Remove solid cap plug (F), then remove post cap (E), then remove coaster disc (D). Put post cap (E) back in place and insert large pole through the post cap (E) and seat into bottom of cup holder (C). Be sure pole is securely seated.*

*NOTE: Post base is designed for post sleeves up to 4". If your sleeve is between 4-1/8" and 4-5/8", you will need to purchase an extra-large post base adaptor** (sold separately).

** Part # C150WH44LB



WARNING

Do not use anything heavier than 5 lbs. on PopTop post system.

Do not use anything with open flames, such as candles or torches, in conjunction with PopTop post system.

Be certain that any item attached to the universal mount (I) is safely and securely fastened.



PopTop
POST CAP SYSTEM