



Item# 1001 574 543
Model# L210VWD
Item # 1000 857 794
Model# L210VWD.CA

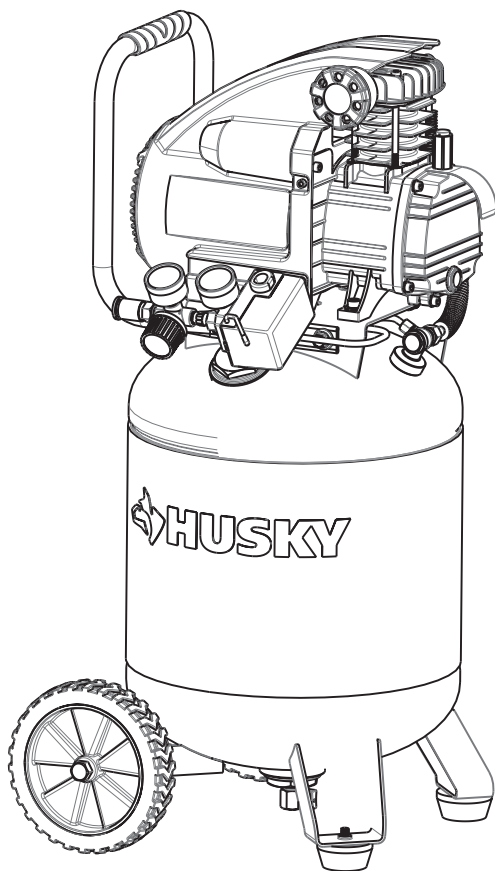
USE AND CARE GUIDE

10-GALLON PORTABLE AIR COMPRESSOR

Questions, problems, missing parts?
Before returning to the store, call
Husky Customer Service
8 a.m. - 6 p.m., EST, Monday - Friday

1-888-43-HUSKY

HUSKYTOOLS.COM



Intertek
3062705

THANK YOU

We appreciate the trust and confidence you have placed in Husky through the purchase of this air compressor. We strive to continually create quality products designed to enhance your home. Visit us online to see our full line of products available for your home improvement needs. Thank you for choosing Husky!

Table of Contents

Safety Information	2	Installing the Air Intake Filter	10
Work Area Safety	2	Attaching the Hose	11
Personal Safety	3	Filling the Compressor Pump with Oil..	11
Moving the Compressor	3	Tool Usage.....	12
Air Compressor and Pneumatic Tool Safety	4	Assembly	12
Electrical Safety	5	Operation	13
Warranty	7	Maintenance	17
Pre-Operation	8	General Maintenance.....	17
Specifications	8	Lubrication	17
Duty Cycle	8	Cleaning the Air Filter	17
Package Contents	8	Changing the Oil	18
System Components	9	Care and Cleaning	18
Placement of the Air Compressor	10	Troubleshooting	19
		Service Parts	21

Safety Information

This manual contains information that is important for you to know and understand. This information relates to protecting your safety and preventing equipment problems. To help you recognize this information, we use the symbols below. Please read the manual and pay attention to these symbols.



DANGER: Indicates an imminently hazardous situation which, if not avoided, will result in death or serious injury.



WARNING: Indicates a potentially hazardous situation which, if not avoided, could result in death or serious injury.



CAUTION: Indicates a potentially hazardous situation which, if not avoided, may result in minor or moderate injury.

NOTICE: Indicates a practice not related to personal injury which, if not avoided, may result in property damage.

WORK AREA SAFETY

- Keep your work area clean and well lit. Ensure floors are not slippery from wax or dust.
- Operate the air compressor in an open area at least 18 in. (0.5 m) away from any wall or object that could restrict the flow of fresh air to ventilation openings.



WARNING: Do not operate power tools in explosive atmospheres, such as in the presence of flammable liquids, gases, or dust. Power tools create sparks which may ignite the dust or fumes. Keep bystanders, children, and visitors away while operating tools. Distractions can cause you to lose control.



WARNING: This compressor is not equipped for, and should not be used to supply breathing air. Additional equipment would be necessary to properly filter and purify the air to meet minimal specifications for Grade D breathing as described in Compressed Gas Association Commodity, Specification G 7.1 - 1966, OSHA 29 CF9 1910.134. Compressed Gas Association, 4221 Walney Road, Fifth Floor, Chantilly, VA 20151-2923, (703) 788-2700, www.cganet.com. Any such additional equipment has not been examined and no implication of proper use for breathing air is intended or implied.



CAUTION: Always disconnect the air supply and power supply before making adjustments, servicing a tool, or when a tool is not in use.

Safety Information (continued)

PERSONAL SAFETY

- Keep proper footing and balance at all times. Proper footing and balance enables better control of the tool in unexpected situations
- Do not use on a ladder or unstable support.



WARNING: Operating any power tool can result in foreign objects being thrown into your eyes, which can result in severe eye damage. Before beginning operation, always wear safety goggles, safety glasses with side shields, or a full face shield when needed. Always use eye protection marked to comply with ANSI Z87.1.



WARNING: This product contains chemicals known to the State of California to cause cancer and birth defects or other reproductive harm. Wash hands after handling.



WARNING: Use safety equipment. Always wear eye protection with side shields when operating power tools. A dusk mask, non-skid safety shoes, hard hat, or hearing protection must be used for appropriate conditions.



WARNING: Stay alert when operating a power tool. Do not use the tool while tired or under the influence of drugs, alcohol, or medication.



WARNING: Do not wear loose clothing or jewelry. Contain long hair. Keep your hair, clothing, and gloves away from moving parts. Loose clothes, jewelry, or long hair can be caught in moving parts.



WARNING: Never touch any exposed metal parts on compressor during or immediately after operation. The compressor will remain hot for several minutes after operation. Do not reach around protective shrouds or attempt maintenance until the unit has been allowed to cool.



CAUTION: The compressor is too heavy to be lifted by one person. Obtain assistance from others before lifting.

MOVING THE AIR COMPRESSOR

- Grasp the handle of the compressor and tilt the compressor back to rest on the wheels.
- When the location is reached, slowly lower the compressor to the ground. Always store the compressor in a vertical position resting on the rubber bumpers and wheels.
- When transporting the compressor in a vehicle, trailer, etc., make sure the tank is drained and the unit is secured with straps to prevent tipping. Use care when driving to prevent tipping the unit over in the vehicle. Damage can occur to the compressor or surrounding items if the compressor is tipped. Always use two people when lifting and lift from the recommended lifting points. Do not lift by the wheels or shroud.



WARNING: Risk of unsafe operation. Ensure proper footing and use caution when rolling the compressor so that the unit does not tip or cause loss of balance.



CAUTION: The wheels and handle do not provide adequate clearance, stability, or support for pulling the unit up and down stairs or steps. The unit must be lifted or pushed up a ramp.

Safety Information (continued)

AIR COMPRESSOR AND PNEUMATIC TOOL SAFETY

- Keep compressors as far from the spraying area as possible: at least 15 ft. (4.6 m) from the spraying area and all explosive vapors.
- If connected to a circuit protected by fuses, use time-delay fuses with this product.
- Ensure the hose is free of obstructions or snags. Entangled or snarled hoses can cause loss of balance or footing, and may become damaged.
- Use the air compressor only for its intended use. Do not alter or modify the unit from the original design or function. Never weld or drill holes in the air tank.
- Never leave a tool unattended with the air hose attached.
- Do not operate this tool if it does not contain a legible warning label.
- Do not continue to use a tool or hose that leaks air or does not function properly.
- Do not attempt to pull or carry the air compressor by the hose.
- Your tool may require more air consumption than this air compressor is capable of providing.
- Never direct a jet of compressed air toward people or animals.
- Protect your lungs. Wear a face or dust mask if the operation is dusty.
- Do not use this air compressor to spray chemicals. Your lungs can be damaged by inhaling toxic fumes. A respirator may be necessary in dusty environments or when spraying paint.
- This compressor is equipped with a thermal overload protector which will shut off the motor if it becomes overheated.



WARNING: Do not attempt to modify this tool or create accessories not recommended for use with this tool. Any such alteration or modification is misuse and could result in a hazardous condition leading to possible serious personal injury.



CAUTION: Do not use the compressor in an environment that is dusty or otherwise contaminated. Using the air compressor in this type of environment may cause damage to the unit.



CAUTION: Risk of bursting. Do not adjust the regulator to result in output pressure greater than the marked maximum pressure of the attachment. Do not use at pressure greater than the rated maximum pressure of this compressor.



CAUTION: To reduce the risk of electric shock, do not expose the compressor to rain. Store indoors.

Safety Information (continued)

ELECTRICAL SAFETY (EXTENSION CORDS)

- Use only 3-wire extension cords that have 3-prong grounding plugs and 3-pole receptacles that accept the product's plug. When using a power tool at a considerable distance from the power source, use an extension cord heavy enough to carry the current that the product will draw. An undersized extension cord will cause a drop in line voltage, resulting in a loss of power and causing the motor to overheat.
- Use the chart provided below to determine the minimum wire size required in an extension cord. Only round jacketed cords listed by Underwriter's Laboratories (UL) should be used.
- Only use 50 ft. or less, round jacketed cords listed by Underwriter's Laboratories (UL).
- When operating a power tool outside, use an outdoor extension cord marked "W-A" or "W". These cords are rated for outdoor use and reduce the risk of electric shock.

Ampere rating (on air compressor data plate)	
	14 - 16
Cord Length	Wire Size (AWG)
25 ft.	16
50 ft.	12
Used on 12 gauge - 20 amp circuit.	
NOTE: AWG=American Wire Gauge	

ELECTRICAL SAFETY (ELECTRICAL CONNECTION)

- This air compressor is powered by a precision built electric motor. It should be connected to a power supply that is 120 volts, 60 Hz, AC only (normal household current).
- Do not operate this tool on direct current (DC). A substantial voltage drop will cause a loss of power and the motor will overheat. If the air compressor does not operate when plugged into an outlet, double check the power supply.



WARNING: When using an extension cord, keep it clear of the working area. Position the cord so that it will not get caught on lumber, tools, or other obstructions while you are working with a power tool. Failure to do so can result in serious personal injury.



WARNING: Check extension cords before each use. If damaged, replace immediately. Never use the air compressor with a damaged cord since touching the damaged area could cause electrical shock resulting in serious personal injury.



WARNING: Improperly connecting the equipment-grounding conductor can result in a risk of electrical shock.



CAUTION: Avoid body contact with grounded surfaces such as pipes, radiators, ranges, and refrigerators. There is an increased risk of electric shock if your body is grounded.



CAUTION: Do not expose power tools to rain or wet conditions. Water entering a power tool will increase the risk of electric shock.



CAUTION: Replace damaged cords/wiring immediately. Damaged cords/wiring increase the risk of electric shock.

NOTICE: Use longer air hoses instead of long extension cords. Your air compressor will run better and last longer.

Safety Information (continued)

ELECTRICAL SAFETY (SPEED AND WIRING)

- The no-load speed of this product is approximately 3,450 rpm. This speed is not constant and decreases under a load or with lower voltage.
- For voltage, the wiring in a shop is as important as the motor's horsepower rating. A line intended only for lights cannot properly carry a power tool motor. Wire that is heavy enough for a short distance will be too light for a greater distance. A line that can support one power tool may not be able to support two or three products.

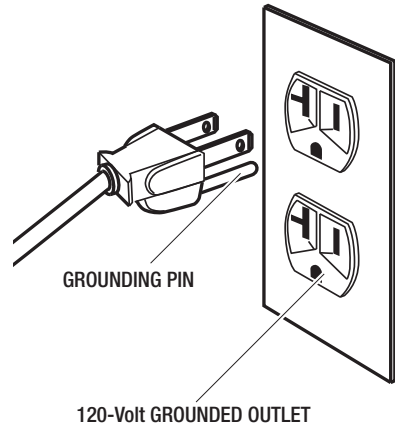
ELECTRICAL SAFETY (GROUNDING INSTRUCTIONS)

- This product must be grounded. In the event of an electrical short circuit, grounding reduces the risk of electric shock by providing an escape wire for the electric current. This product is equipped with a cord having a grounding wire with an appropriate grounding plug. The plug must be plugged into an outlet that is properly installed and grounded in accordance with all local codes and ordinances.



WARNING: Improper installation of the grounding plug may result in a risk of electric shock. When repair or replacement of the cord or plug is required, do not connect the grounding wire to either flat blade terminal. The wire with insulation having an outer surface that is green with or without yellow stripes is the grounding wire.

- Check with a qualified electrician or service personnel if these instructions are not completely understood or if in doubt as to whether the tool is properly grounded.
- Do not modify the plug provided; if it will not fit the outlet, have the proper outlet installed by a qualified electrician.
- This product is for use on a nominal 120-Volt circuit and has a grounding plug similar to the plug shown. Only connect the product to an outlet having the same configuration as the plug. Do not use an adapter with this product.



LIMITED WARRANTY

WHAT IS COVERED

The manufacturer warrants to the original retail purchaser that this product is free from defect in material and workmanship and agrees to repair or replace, at the manufacturer's discretion, any defective product free of charge within these time periods from the date of purchase.

This warranty is valid for two (2) years if the product is used for personal, family, or household use, and ninety (90) days if used for any other purpose, such as commercial or rental use.

This warranty extends to the original retail purchaser only and commences on the date of the original retail purchase.

Any part of the product manufactured or supplied by the manufacturer and found in the reasonable judgment of the manufacturer to be defective in material or workmanship will be repaired or replaced by an authorized service dealer without charge for parts and labor.

The product, including any defective part, must be returned to an authorized service dealer within the warranty period. The expense of delivering the manufacturer's product to the dealer for warranty work and the expense of returning it back to the owner after repair or replacement will be paid by the owner. The manufacturer's responsibility in respect to claims is limited to making the required repairs or replacements and no claim of breach of warranty shall be cause for cancellation or rescission of the contract of sale of any of the manufacturer's product. Proof of purchase will be required by the dealer to substantiate any warranty claim. All warranty work must be performed by an authorized service dealer.

WHAT IS NOT COVERED

This warranty does not cover any of the manufacturer's product that has been subject to misuse, neglect, negligence, accident, or that has been operated in any way contrary to the operating instructions as specified in this manual. This warranty does not apply to any damage to the manufacturer's product that is the result of improper maintenance or to any manufacturer's product that has been altered or modified. The warranty does not extend to repairs made necessary by normal wear or by the use of parts or accessories which are either incompatible with the manufacturer's product or adversely affect its operation, performance, or durability.

The manufacturer reserves the right to change or improve the design of any product without assuming any obligation to modify any product previously manufactured. All implied warranties are limited in duration to the stated warranty period. Accordingly, any such implied warranties including merchantability, fitness for a particular purpose, or otherwise, are disclaimed in their entirety after the expiration of the appropriate two-year or ninety day warranty period. The manufacturer's obligation under this warranty is strictly and exclusively limited to the repair or replacement of defective parts and the manufacturer does not assume or authorize anyone to assume for it any other obligation. Some states do not allow limitations on how long an implied warranty lasts, so the above limitation may not apply to you. The manufacturer assumes no responsibility for incidental, consequential, or other damages including, but not limited to, expense of returning the manufacturer's product to an authorized service dealer and expense of delivering it back to the owner, mechanic's travel time, telephone or telegram charges, rental of a like product during the time warranty service is being performed, travel, loss or damage to personal property, loss of revenue, loss of use of the product, loss of time, or inconvenience. Some states do not allow the exclusion or limitation of incidental or consequential damages, so the above limitation or exclusion may not apply to you.

This warranty gives you specific legal rights, and you may also have other rights which vary from state to state.

Contact the Customer Service Team at 1-888-43-HUSKY or visit www.huskytools.com.

Pre-Operation

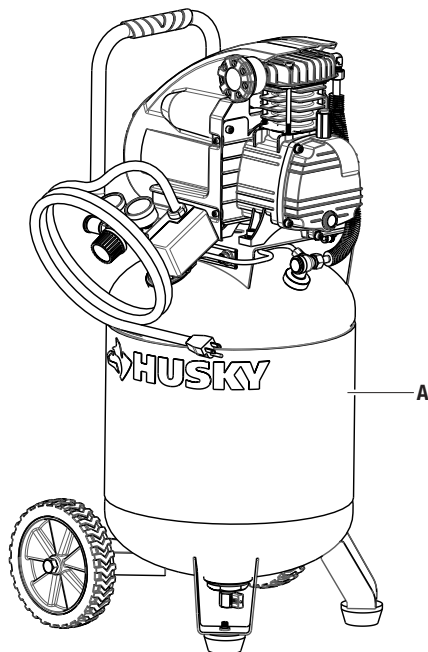
SPECIFICATIONS

Running horsepower	1.5 hp
Air tank capacity	10 gallons
Air pressure	135 psi max
Air delivery	4.5 SCFM at 40 psi 3.8 SCFM at 90 psi
Cut-in pressure	105 psi
Cut-out pressure	135 psi
Tank fill time	3 minutes, 30 seconds
Lubrication	Oil lubricated
Input	120V, 60 Hz, Single phase AC only, 15 Amps.
Minimum branch circuit requirement	15 A
Fuse type	Time delay
Net weight	78 lbs.

DUTY CYCLE

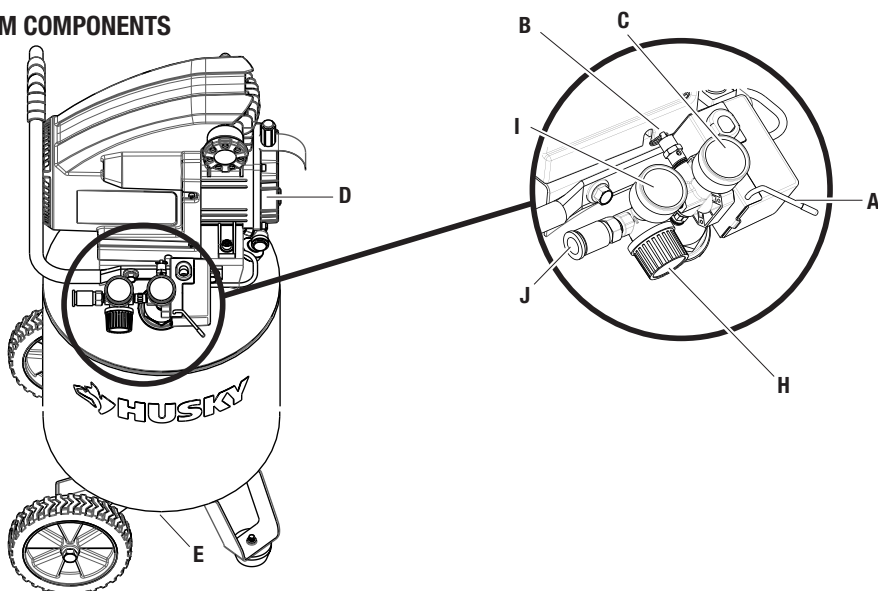
This air compressor pump is capable of running continuously. However, to prolong the life of your air compressor, it is recommended that a 50% average duty cycle be maintained; that is, the air compressor pump should not run more than 30 minutes in any given hour.

Part	Description	Quantity
A	Air Compressor Unit	1



Pre-Operation (continued)

SYSTEM COMPONENTS



Part	Description
A	AUTO/OFF Switch: Turn this switch in the “AUTO (1)” position to provide automatic power to the pressure switch and “OFF (0)” to remove power at the end of each use.
B	Safety Valve: If the pressure switch does not shut off the air compressor at its “cut-out” pressure setting, the safety valve will protect against high pressure by “popping out” at its factory set pressure (slightly higher than the pressure switch “cut-out” setting).
C	Tank Pressure Gauge: The tank pressure gauge indicates the reserve air pressure in the tank.
D	Air Compressor Pump: Compresses air into the air tank. Working air is not available until the compressor has raised the air tank pressure above that required at the air outlet.
E	Drain Valve: The drain valve is located at the base of the air tank and is used to drain condensation at the end of each use.
F	Check Valve (not shown): When the air compressor is operating, the check valve is “open”, allowing compressed air to enter the air tank. When the air compressor reaches “cut-out” pressure, the check valve “closes”, allowing air pressure to remain inside the air tank.
G	Thermal Overload Reset: (not shown) This motor has a manual thermal overload protector. If the motor overheats for any reason, the overload protector will shut off the motor. The motor must be allowed to cool down before restarting. To restart: <ol style="list-style-type: none"> 1. Place the AUTO/OFF switch in the “OFF” (0) position and unplug the power cord. 2. Allow the motor to cool. 3. Plug the power cord back into the approved outlet, Place the AUTO/OFF switch in the “AUTO” (1) position to restart the motor.
H	Regulator: Valve used to ensure that the tank pressure never reaches unsafe levels. Allows the user to adjust the pressure coming out of the tank to match what is needed for the task.
I	Pressure Regulator Gauge: Gauge that indicates the amount of pressure that the regulator is providing to the tool.
J	Quick Connects: Fittings that are designed to accept a hose that allows pressure to be released for tool usage.

Pre-Operation (continued)

PLACEMENT OF THE AIR COMPRESSOR



WARNING: If any parts are damaged or missing do not operate this product until the parts are replaced. Failure to heed this warning could result in serious personal injury.

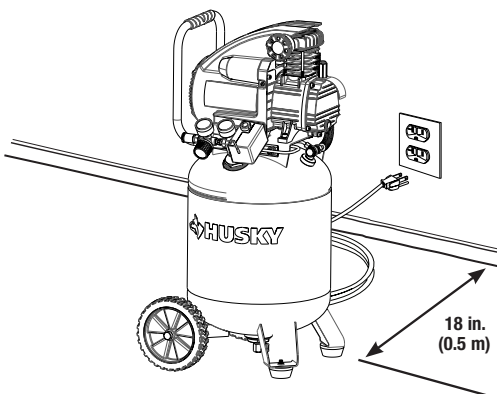


CAUTION: Do not use in an environment that is dusty or otherwise contaminated. Using the air compressor in this type of environment may cause damage to the unit.



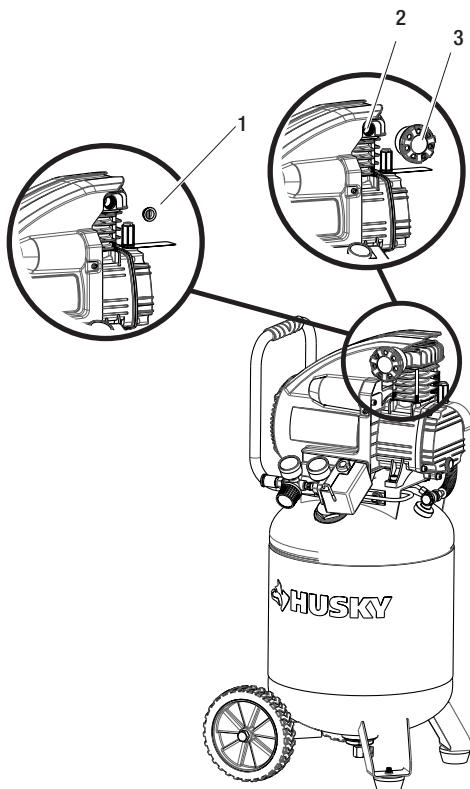
NOTE: Long lengths of electrical wiring could cause power loss to the motor.

- Place the air compressor in a clean, dry, and well ventilated area.
- The air compressor must be positioned at least 18 in. (0.5 m) away from the wall or other obstructions that will interfere with the flow of air.
- Locate the air compressor as close to the main power supply as possible to avoid using long lengths of electrical wiring.
- The air filter must be kept clear of obstructions which could reduce air flow to the air compressor.



INSTALLING THE AIR INTAKE FILTER

- Remove the plastic plug (1) from the compressor head (2). Remove the air intake filter (3) from the poly bag and thread it into the compressor head (2), as shown.



Pre-Operation (continued)

FILLING THE COMPRESSOR PUMP WITH OIL



WARNING: Drain the tank to release all the tank air pressure before removing the oil fill cap. Be sure the air vent in the oil fill cap is free from debris. If the air vent is blocked, pressure can build in the crankcase, causing damage to the compressor and possible personal injury.



CAUTION: Do not attempt to start the air compressor without first adding oil to the crankcase. Serious damage can result unless it is filled with oil. The pump is shipped without oil from the factory. Only use non-detergent oils since the multi-viscosity motor oils leave carbon deposits on pump components, thus reducing the performance and compressor life.

- Remove the plug (4) from the oil fill port. Fill the compressor pump with high quality air compressor oil at slow intervals until the oil reaches the center of the red circle on the oil sight glass (5). Install the provided oil breather cap (6) into the oil fill port.

ATTACHING THE HOSE



WARNING: Do not attempt to modify this product or create accessories not recommended for use with this product. Any such alteration or modification is misuse and could result in a hazardous condition leading to possible serious personal injury.



WARNING: Do not attach the air chuck or other tools to the open end of the hose until start-up has been completed.



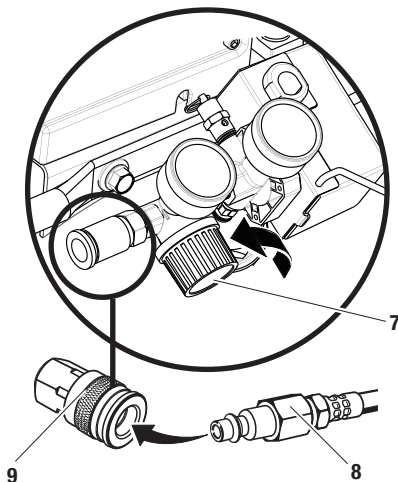
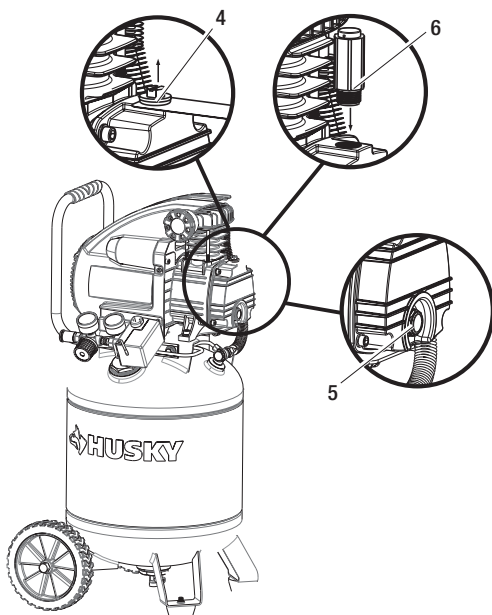
WARNING: Do not allow familiarity with products to make you careless. Remember that a careless fraction of a second is sufficient to inflict serious injury.



WARNING: Always wear safety goggles or safety glasses with side shields when operating power tools. Failure to do so could result in objects being thrown into your eyes resulting in possible serious injury.

The compressor is assembled at the factory and ready for use. Check all components to ensure secure assembly, (such as rubber feet, handle, quick connects, gages, safety valve, air filter, drain valve, etc.)




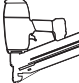
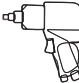
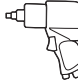

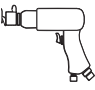







- Make sure the power to the air compressor is disconnected.
- Apply thread tape to the threaded connections of the hose (not included), and attach the quick connect to the hose using a wrench (not included).
- Rotate the pressure regulator knob (7) fully counterclockwise.
- Insert the hose adapter end of the air hose (8) into the female coupler end in the air compressor (9).



Pre-Operation (continued)

TOOL USAGE

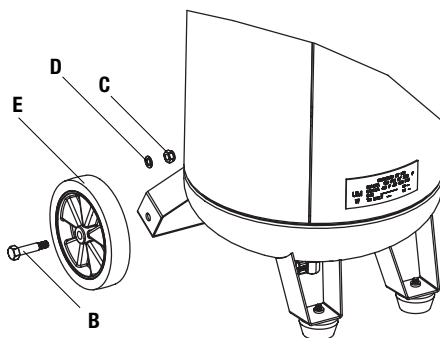
○ = Continuous ○ = Intermittent ○ = Not Recommended

Tool	Inflation	Finishing nailing		Framing/ Roofing	Bolting			
								
Recommended Tool Use	○	○	○	○	○	○	○	
Tool	Cutting/Drilling			Surface Prep		Painting	HVLP Painting	Grease Gun
								
Recommended Tool Usage	○	○	○	○	○	○	○	○

Assembly

1 Assembly

- Install one shoulder bolt (B), one washer (D), and one nut (C) for each wheel (E) using the bolt holes provided in the wheel bracket. The shoulder bolt will install from the outside of the wheel through the hole in the wheel bracket. Tighten securely with the washer and nut positioned on the inside of the wheel bracket



1 Preparing for start-up



WARNING: Risk of unsafe operation. Firmly grasp air hose in hand when installing or disconnecting to prevent hose whip.



WARNING: Risk of unsafe operation. Do not use damaged or worn accessories.



WARNING: Risk of bursting. Too much air pressure causes a hazardous risk of bursting. Check the manufacturer's maximum pressure rating for air tools and accessories. The regulator outlet pressure must never exceed the maximum pressure rating.

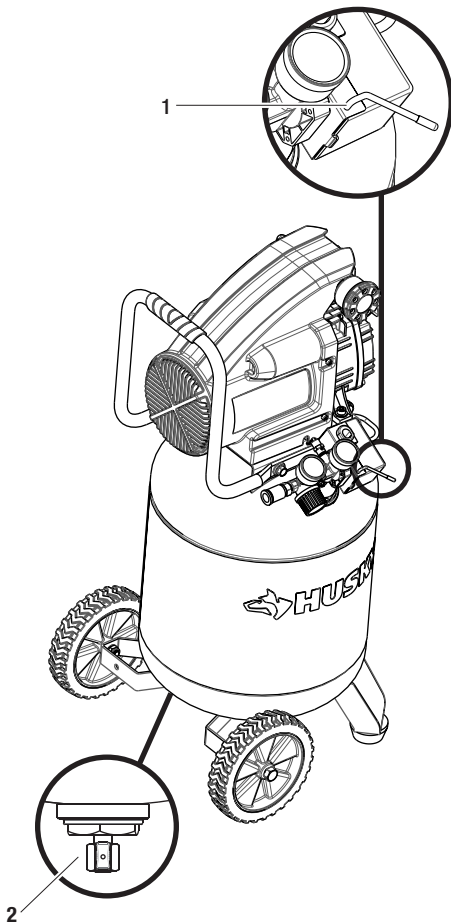


CAUTION: Risk of unsafe operation. Compressed air from the unit may contain water condensation and oil mist. Do not spray unfiltered air at an item that could be damaged by moisture. Some air tools and accessories may require filtered air. Read the instructions for the air tools and accessories.



NOTE: A regulator **MUST** be installed when using accessories rated at less than 150 psi. The hose or accessory will require a quick connect plug if the air outlet is equipped with a quick connect socket.

- Place the AUTO/OFF switch (1) to the off position.
- Close the drain valve (2).
- Visually inspect air lines and fittings for leaks.



2 Starting the compressor

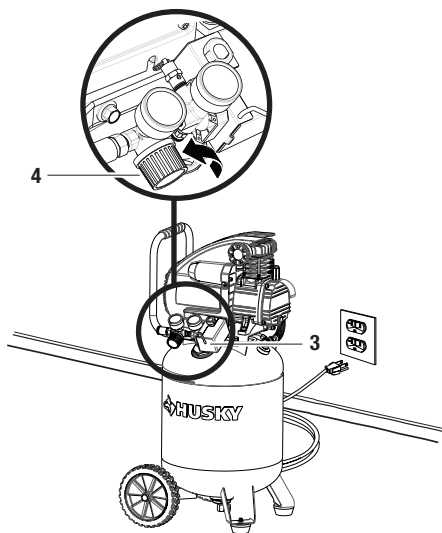


WARNING: Risk of bursting. If any unusual noise or vibration is noticed, stop the air compressor immediately and have it checked by a trained service technician.



NOTE: When using the regulator and other accessories, refer to the manufacturer's instructions.

- Plug the power cord into a proper receptacle.
- Turn the AUTO/OFF switch (3) to the AUTO position, and allow the tank pressure to build. The motor will stop when the tank pressure reaches "cut-out" pressure.
- Adjust the regulator (4) to a psi setting that is needed for your application - be sure it is within the safety standards required to perform the task.



3 Checking the safety valve

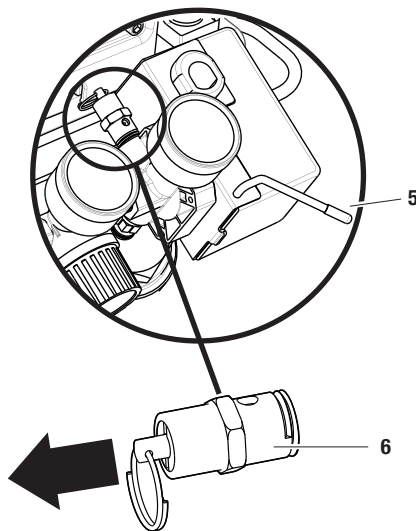


DANGER: Do not tamper with the safety valve. Items loosened from this device could fly up and hit you. Failure to heed this warning could result in death or serious personal injury. The safety valve automatically releases air when the receiver pressure exceeds the preset maximum. Check the valve before each day of use by pulling the ring by hand.



WARNING: If air leaks after releasing the safety valve ring or if the valve is stuck, do not use the air compressor until the safety valve has been replaced. Using the air compressor in this condition could result in serious personal injury.

- Set the AUTO/OFF switch (5) to the AUTO position, and wait for the tank to fill. The compressor automatically shuts off when the pressure reaches the preset maximum.
- Set the AUTO/OFF switch (5) to the off position.
- Pull the ring on the safety valve (6) for 20 seconds to release the air.
- Release the ring. Air stops escaping at about 20 psi. If air continues to escape after releasing the safety valve ring, discontinue use and seek service before using the air compressor again.



4 Running the air compressor



WARNING: Always ensure the switch is in the OFF position and regulator pressure gauge reads zero before changing air tools or disconnecting the hose from the air outlet. Failure to do so could result in possible serious personal injury.

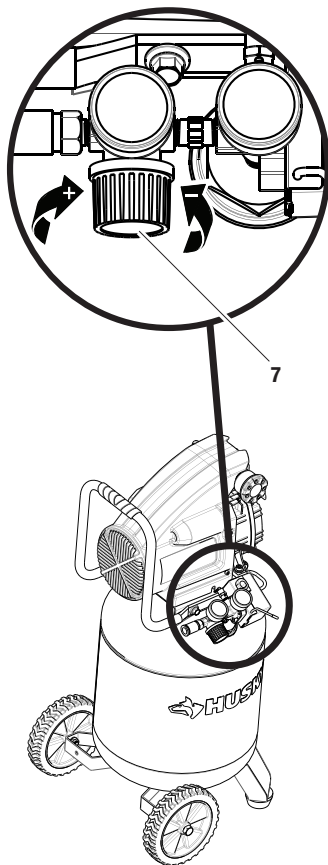


WARNING: Your tool may require more air consumption than this air compressor is capable of providing. Check the tool manual to avoid damage to the tool or risk personal injury.



NOTE: Always use the minimum amount of air flow with the pressure regulator knob. Using a higher pressure than needed will drain air from the tank more rapidly and cause the unit to cycle on more frequently.

- Rotate the pressure regulator knob (7) to the desired line pressure. Turning the knob clockwise (+) increases air pressure at the outlet; turning counterclockwise (-) reduces air pressure at the outlet.
- If using an inflation accessory, control the amount of air flow with the pressure regulator knob (7). Turning the knob fully counterclockwise will completely stop the flow of air.
- When finished, always drain the tank and unplug the unit. Never leave the unit plugged in and/or running unattended.



5 Draining the tank



WARNING: Risk of unsafe operation. Air tanks contain high pressure air. Keep face and other body parts away from the drain outlet. Use eye protection [ANSI Z87.1 (CAN/CSA Z94.3)] when draining, as debris can be kicked up into the face.



WARNING: Risk from noise. Use ear protection (ANSI S12.6 (S3.19), as air flow noise is loud when draining.



WARNING: Risk of bursting. Water will condense in the air tank. If not drained, water will corrode and weaken the air tank causing a risk of air tank rupture.



NOTE: All compressed air systems generate condensate that accumulates in any drain point (e.g., tanks, filter, after-coolers, dryers). This condensate contains lubricating oil and/or substances which may be regulated and must be disposed of in accordance with local, state, and federal laws and regulations.

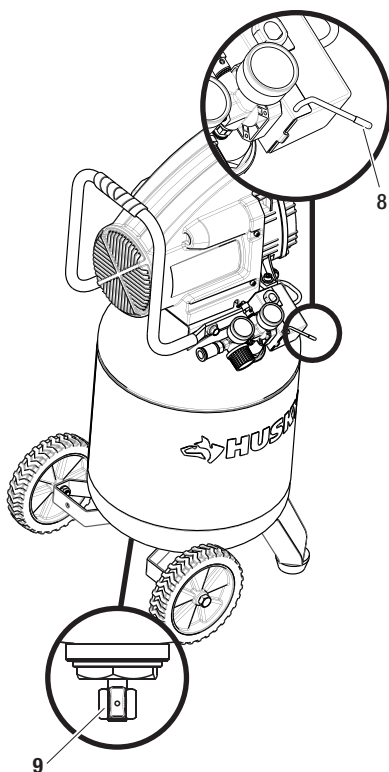


NOTE: If the drain valve is plugged, release all air pressure. The valve can then be removed, cleaned, then reinstalled.



NOTE: Risk of property damage. Drained water from the air tank may contain oil and rust which can cause stains.

- Set the AUTO/OFF switch (8) to the off position.
- Slowly bleed the air from the compressor tank by pulling the safety valve to allow the pressure to escape from the tank until the pressure is approximately 20 psi.
- Drain water from the tank by opening the drain valve (9) on the bottom of the tank.
- After the water has been drained, close the drain valve. The air compressor can now be stored.



GENERAL MAINTENANCE

- Condensate forms in the tank when there is humidity in the air. Depending on the environmental conditions, drain the condensate daily and/or every hour. For instructions, see *Draining the tank* on page 16.
- The safety valve automatically releases air when the receiver pressure exceeds the preset maximum.
- Inspect the tank annually for rust, pin holes, or other imperfections that could cause it to become unsafe.
- Avoid using solvents when cleaning plastic parts. Most plastics are susceptible to damage from various types of commercial solvents and may be damaged by their use.
- Use clean cloths to remove dirt, dust, oil, grease, etc.

LUBRICATION

This compressor requires oil to be in the crank case in order to lubricate the pump for operation (see *Filling the Compressor Pump with Oil* on page 11). It is also necessary to change this oil after the first 10 hours of use and every 100 hours after that.

CLEANING THE AIR FILTER

From time to time, the air filter needs to be removed and cleaned.

- Turn the air compressor OFF (0).
- Unplug the air compressor.
- Unsnap the air filter cover (1) to remove.
- Remove the air filter (2) from the air filter housing (3).
- Blow compressed air through the air filter for 10-15 seconds.



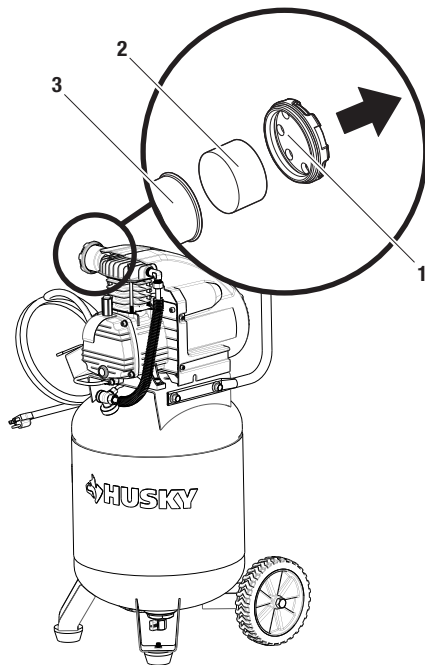
WARNING: When servicing, use only identical Husky replacement parts. Use of any other parts may create a hazard or cause product damage.



WARNING: Always release all pressure, disconnect from the power supply, and allow the unit to cool to the touch before cleaning or making repairs on the air compressor.



WARNING: Do not at any time let brake fluids, gasoline, petroleum-based products, penetrating oils, etc., come in contact with plastic parts. Chemicals can damage, weaken or destroy plastic which may result in serious personal injury. Electric tools used on fiberglass material, wallboard, spackling compounds, or plaster are subject to accelerated wear and possible premature failure because the fiberglass chips and grindings are highly abrasive to bearings, brushes, commutators, etc. Consequently, we do not recommend using this tool for extended work on these types of materials. However, if you do work with any of these materials, it is extremely important to clean the tool using compressed air.

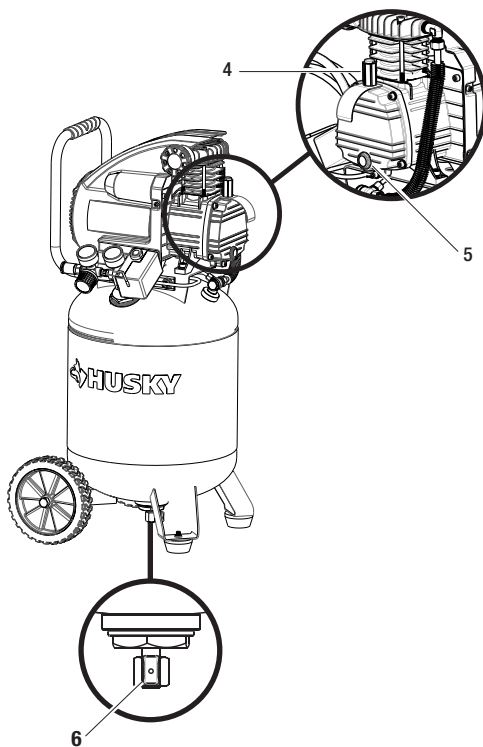


Maintenance (continued)

CHANGING THE OIL

When changing the pump oil, be sure to do the following:

- Turn the unit off and unplug the power cord from the receptacle.
- Allow the compressor time to cool if it has been in operation.
- Open the drain valve (6) to bleed all the air from the tank.
- Close the drain valve (6).
- Remove the oil fill cap (4) on the pump.
- Remove the sight glass (5) with a box-end wrench or socket. Drain the oil into a suitable container and dispose of properly. The compressor may need to be tipped slightly towards the drain hole to allow all of the oil to drain.
- Reattach the sight glass (5). Be sure the gasket is between the sight glass and the pump crankcase. Tighten the sight glass until the gasket is seated against the pump crankcase and then tighten sight glass another 3/4 of a turn.
- Refill the compressor pump with high quality air compressor oil at slow intervals until the oil reaches the center of the red circle on the sight glass.



Care and Cleaning

- Drain the air tank of moisture after operation.
- When not in use, store the compressor in a cool, dry place.
- Disconnect the air hose and hang open ends down to allow any moisture to drain.
- Protect the electrical cord and air hose from damage (such as being stepped on or run over). Wind them loosely around the compressor handle.

Troubleshooting

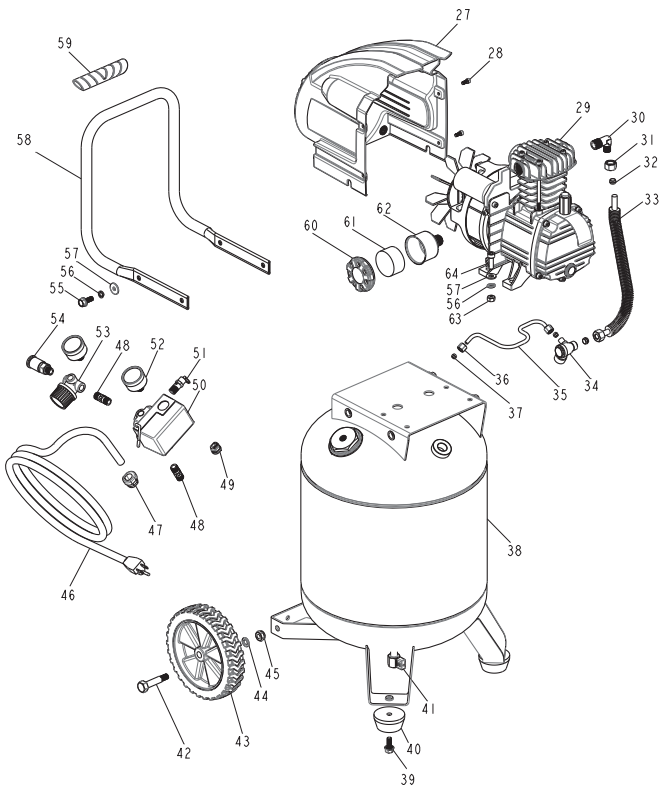
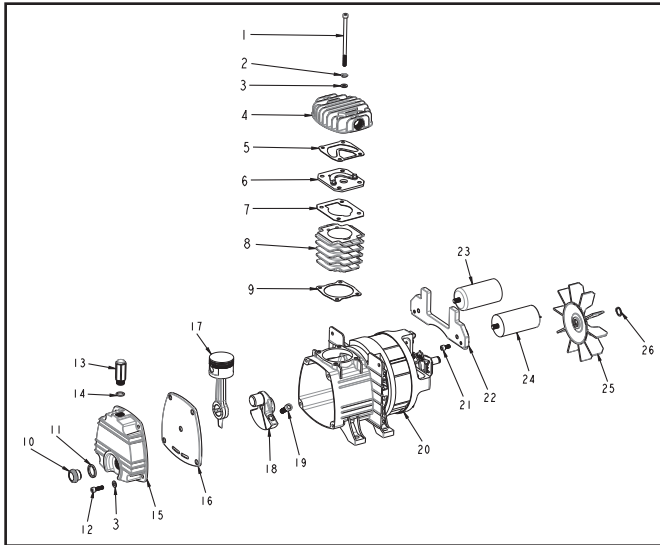
Problem	Possible Cause	Solution
The compressor does not run.	<input type="checkbox"/> There is a loss of power or the motor is overheated.	<input type="checkbox"/> Check for proper use of extension cord.
	<input type="checkbox"/> There is no power to the unit.	<input type="checkbox"/> Check to be sure the unit is plugged in.
	<input type="checkbox"/> The circuit breaker has tripped or a fuse has blown at the main power source.	<input type="checkbox"/> Check the fuse/breaker.
	<input type="checkbox"/> The thermal overload protector is actuated.	<input type="checkbox"/> Turn the air compressor OFF (O).
		<input type="checkbox"/> Unplug the air compressor and wait until the compressor cools down.
		<input type="checkbox"/> Plug the air compressor into an approved outlet.
	<input type="checkbox"/> Turn the air compressor AUTO (I).	
<input type="checkbox"/> The pressure switch is bad.	<input type="checkbox"/> Bring the compressor to a service center.	
<input type="checkbox"/> The compressor has reached automatic shutoff pressure.	<input type="checkbox"/> Release the air from the tank until the compressor restarts automatically.	
The motor hums while running slowly, or it does not run at all.	<input type="checkbox"/> There is low voltage from the power source.	<input type="checkbox"/> Call an electrician.
	<input type="checkbox"/> The wrong gauge wire or length of extension cord is being used.	<input type="checkbox"/> Check for proper gauge wire and cord length.
	<input type="checkbox"/> There is a shorted or open motor wiring.	<input type="checkbox"/> Bring the compressor to a service center.
	<input type="checkbox"/> There is a defective check valve or unloader.	<input type="checkbox"/> Bring the compressor to a service center.
The fuses blow or circuit breaker trips repeatedly.	<input type="checkbox"/> The incorrect fuse type is being used.	<input type="checkbox"/> Check for the proper fuse.
		<input type="checkbox"/> Use a time-delay fuse. Disconnect other electrical appliances from the circuit or operate the compressor on its own branch circuit.
	<input type="checkbox"/> The wrong gauge wire or length of extension cord is used.	<input type="checkbox"/> Check for the proper gauge wire and cord length.
<input type="checkbox"/> There is a defective check valve or unloader.	<input type="checkbox"/> Bring the compressor to a service center.	

Troubleshooting (continued)

Problem	Possible Cause	Solution
The thermal overload protector cuts out repeatedly.	<input type="checkbox"/> There is low voltage from the power source.	<input type="checkbox"/> Call an electrician.
	<input type="checkbox"/> There is a lack of proper ventilation, or the room temperature is too high.	<input type="checkbox"/> Move the compressor to a well-ventilated area.
	<input type="checkbox"/> The wrong gauge wire or length of extension cord is being used.	<input type="checkbox"/> Check for proper gauge wire and cord length.
The air receiver pressure drops when the compressor shuts off.	<input type="checkbox"/> The connections (fittings, tubing, etc.) are loose and leaking.	<input type="checkbox"/> Check all connections with a soap and water solution and tighten.
	<input type="checkbox"/> The drain valve is loose or open.	<input type="checkbox"/> Tighten the drain valve.
	<input type="checkbox"/> The check valve is leaking.	<input type="checkbox"/> Bring the compressor to a service center.
There is excessive moisture in the discharge air.	<input type="checkbox"/> There is excessive water in the air tank.	<input type="checkbox"/> Drain the tank.
	<input type="checkbox"/> The compressor is working under a high humidity environment.	<input type="checkbox"/> Move the compressor to an area of less humidity; use an air line filter.
The compressor continuously runs.	<input type="checkbox"/> The pressure switch is defective.	<input type="checkbox"/> Bring the compressor to a service center.
	<input type="checkbox"/> An excessive amount of air is being used.	<input type="checkbox"/> Decrease the air usage; the compressor is not large enough for the tool's requirement.
The air output is lower than normal.	<input type="checkbox"/> The inlet valves are broken.	<input type="checkbox"/> Bring the compressor to a service center.
	<input type="checkbox"/> The connections (fittings, tubing, etc.) are loose and leaking.	<input type="checkbox"/> Tighten the connections.

Service Parts

L210VWD, L210VWD.CA, AIR COMPRESSOR



Service Parts (continued)

L210VWD, L210VWD.CA, AIR COMPRESSOR

Item Number	Part Number	Description	Qty	Kit#
1	E108461	Screw, SHC M6 X 1.0 X 107 mm	4	4
2		Washer, Lock M6	4	4
3		Washer, Flat M6	8	4
4	E102728	Head, Cylinder	1	4
5		Gasket, Piston Head	1	1 & 4
6		Assembly, Valve Plate	1	4
7		Gasket, Valve Plate to Cylinder	1	1 & 4
8	E108433	Cylinder	1	4
9		Gasket, Cylinder	1	1 & 4
10		Gauge, Oil Sight	1	3 & 4
11		Gasket, Oil Sight	1	3 & 4
12		Screw, SHC M6 X 1.0 X 20 mm	4	4
13		Cap, Oil Fill	1	2 & 4
14		O-ring, Oil Fill Cap	1	2 & 4
15	E108530	Cover, Crankcase	1	4
16		Baffle, Crankcase	1	1 & 4
17	E107755	Assembly, Piston	1	4
18	E107962	Eccentric	1	4
19		Screw, SHC M8 X 1.25 X 25 mm	1	4
20		Crankcase	1	4
21		Screw, SHC M6 X 1.0 X 12 mm	2	4
22	E108370	Bracket, Capacitor	1	4
23	E106415	Capacitor, Starting	1	4
24	E106416	Capacitor, Running	1	4
25	E109064	Fan, Radial	1	4
26	E100979	Ring, External Retaining	1	4
27	E107879	Shroud	1	
28		Screw, SHC M5 X 0.8 X 12 mm	4	
29		Assembly, L2 Pump/Motor with RH Exhaust	1	4
30	E109007	Fitting, Elbow 3/8 NPT X 3/8 Compression	1	
31		Nut, 3/8 in. Compression	2	6
32		Ferrule, 3/8 in.	2	6
33		Tube, 3/8 in. Copper Outlet	1	
34	E101362	Valve, Check Left Outlet	1	

Service Parts (continued)

L210VWD, L210VWD.CA, AIR COMPRESSOR

Item Number	Part Number	Description	Qty	Kit#
35		Tube, 1/4 in. Pressure Relief	1	7
36		Nut, 1/4 in. Compression	2	7
37		Ferrule, 1/4 in.	2	7
38		Tank Weldment Assy 10Gal Vert.	1	
39		Screw, HFH Serrated M8 X 1.25 X 20 ST	2	
40	E100240	Isolator, Foot (60mm Dia X 28mm Tall)	2	
41	E109399	Valve, Drain 1/4 Turn	1	
42		Bolt Shoulder M10 X 1.5 X 55 (shoulder to 39mm)	2	8
43		Wheel, 7 in. X 1.5 in. V Tread	2	8
44		Washer Flat M10	2	8
45		Nut, Hex Lock Nylon inserted M10 X 1.5	2	8
46	E101073	Cord, Power 14/3 AWG Type ST 6 ft. long	1	
47	E101800	Restraint, Power Cord - 14/3 ST	1	
48		Nipple, 1/4 in. mnpt X 35mm	2	
49	E100594	Restraint, Power Cord - 16/3 ST	1	
50	E104556	Switch, Pressure 135 psi Btm Ctr 4 X 1/4 NPT Base	1	
51	E102611	Valve, Safety	1	
52	E103363	Gauge, Pressure 38mm with 135 psi R/L	2	
53	E100971	Regulator, 3 Port 1/4 NPT	1	
54	E107235	Quick Connect	1	
55		Screw, SCH M8 X 1.25 X 16mm	4	
56		Washer Lock 8mm	4	
57		Washer Flat 8mm X 19mm	4	
58	E109354	Handle, Roll Bar	1	
59	E109355	Grip, Handle	1	
60		Husky, Cap Air Filter	1	5
61	E101613	Element, Air Filter	1	5
62		Base, Air Filter	1	5
63		Nut M8 X 1.25	4	
64		Screw, SCH M8 X 1.25 X 16mm	4	



NOTE: Any part/kit number field without a number is not available. Descriptions are provided for reference only. The Kit Number column represents that the part being offered is available in a kit. One of each part per kit will be offered.

Service Parts (continued)

KITS

Kit Name	Kit #	Order #	Component Reference #
Kit, Gasket	1	E109152	5, 7, 9, 16
Kit, Oil Fill Cap	2	E105879	13-14
Kit, Oil Sight Gauge	3	E109153	10-11
Kit, L2 Motor/Pump Assembly w/RH Exhaust	4	E108923	1-26, 29
Kit, Air Filter	5	E100435	60-62
Kit, 3/8 in. Copper Outlet Tube	6	E109422	31-33
Kit, 1/4 in. Copper Pressure Relief Tube	7	E109423	35-37
Kit, Wheel (Replaces One Wheel Only)	8	E105863	42-45



NOTE: Any part/kit number field without a number is not available. Descriptions are provided for reference only. The Kit Number column represents that the part being offered is available in a kit. One of each part per kit will be offered.



Questions, problems, missing parts? Before returning to the store call
Husky Customer Service
8 a.m. - 6 p.m., EST, Monday-Friday

1-888-43-HUSKY

HUSKYTOOLS.COM

Retain this manual for future use.

Document Number: E109411

07/13/2016



No. de artículo 1001 574 543
No. de modelo L210VWD
No. de artículo 1000 857 794
No. de modelo L210VWD.CA

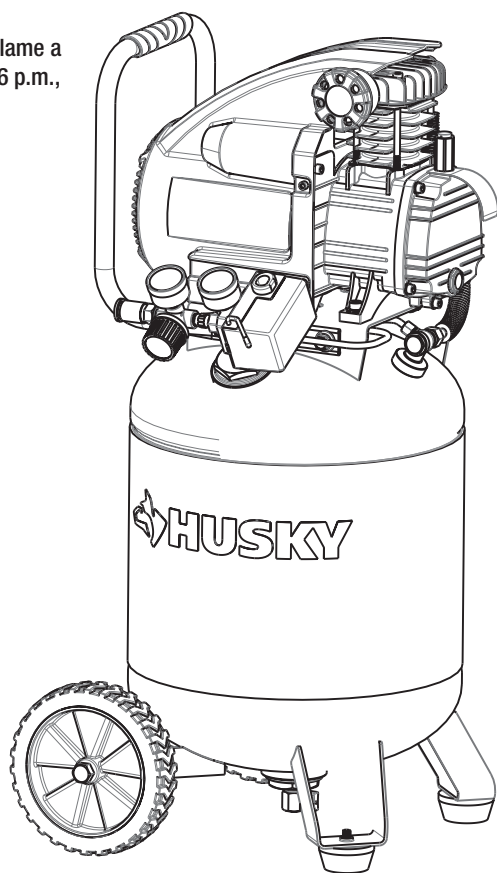
GUÍA DE USO CUIDADO

COMPRESOR DE AIRE PORTÁTIL DE 37.8 LITROS

¿Preguntas, problemas, faltan piezas?
Antes de devolver la unidad a la tienda, llame a
Servicio al Cliente de Husky de 8 a.m. a 6 p.m.,
Hora del Este (EST), de lunes a viernes.

1-888-43-HUSKY

HUSKYTOOLS.COM



Intertek
3062705

GRACIAS

Le agradecemos la preferencia y confianza que ha depositado en Husky a través de la compra de este compresor de aire. Nos esforzamos por crear continuamente productos de alta calidad diseñados para mejorar su hogar. Visítenos en Internet para ver nuestra línea completa de productos disponibles para las necesidades de mejora de su hogar.

¡Gracias por elegir Husky!

Índice de materias

Información de seguridad	2	Instale la manguera	11
Seguridad del área de trabajo	2	Llenado de la bomba del compresor con aceite	12
Seguridad personal.....	3	Uso de herramientas.....	13
Traslado del compresor	3	Montaje	13
Seguridad del compresor de aire y las herramientas neumáticas	4	Utilización	14
Seguridad eléctrica.....	5	Mantenimiento.....	19
Garantía.....	7	Mantenimiento general	19
Preutilización	8	Lubricación	19
Especificaciones	8	Limpie el filtro de aire	19
Ciclo de servicio.....	8	Cambio de aceite	20
Contenido del paquete.....	8	Cuidado y limpieza	20
Componentes del sistema	9	Resolución de problemas.....	21
Colocación del compresor de aire	10	Piezas de repuesto	23
Instalación del filtro de la entrada de aire.....	11		

Información de seguridad

Este manual contiene información que es importante que usted conozca y entienda. Esta información se relaciona con proteger su seguridad y prevenir los problemas del equipo. Para ayudarle a reconocer esta información, usamos los símbolos que se muestran a continuación. Sírvase leer el manual y prestar atención a estos símbolos.



PELIGRO: Indica una situación peligrosa inminente que, si no se evita, causará la muerte o lesiones graves.



ADVERTENCIA: Indica una situación potencialmente peligrosa que, si no se evita, podría causar la muerte o lesiones graves.



PRECAUCIÓN: Indica una situación potencialmente peligrosa que, si no se evita, puede que cause lesiones leves o moderadas.

AVISO: Indica una práctica no relacionada con lesiones personales que, si no se evita, puede que cause daños materiales.

SEGURIDAD DEL ÁREA DE TRABAJO

- Mantenga el área de trabajo limpia y bien iluminada. Asegúrese de que los pisos no estén resbalosos por causa de cera o polvo.
- Utilice el compresor de aire en un área abierta por lo menos a 18 pulgadas (0.5 m) de cualquier pared u objeto que podría restringir el flujo de aire fresco a las aberturas de ventilación.



ADVERTENCIA: No utilice herramientas eléctricas en atmósferas explosivas, tales como las existentes en presencia de líquidos, gases o polvos inflamables. Las herramientas eléctricas generan chispas, las cuales pueden incendiar los polvos o vapores. Mantenga a las personas que estén presentes, los niños y los visitantes alejados mientras utiliza herramientas. Las distracciones pueden hacer que usted pierda el control.



ADVERTENCIA: Este compresor no está equipado para suministrar aire respirable y no se deberá utilizar con ese fin. Se necesitaría equipo adicional para filtrar y purificar apropiadamente el aire con el fin de cumplir con las especificaciones mínimas de respiración de Grado D, tal y como se describen en la Especificación de Productos de la Asociación de Gases Comprimidos G 7.1 - 1966, OSHA 29 CFR 1910.134. Compressed Gas Association, 4221 Walney Road, Fifth Floor, Chantilly, VA 20151-2923, (703) 788-2700, www.cganet.com. No se ha examinado ningún equipo adicional de ese tipo y no se pretende ni insinúa ninguna implicación de uso apropiado para suministrar aire respirable.



PRECAUCIÓN: Desconecte siempre el suministro de aire y el suministro eléctrico antes de hacer ajustes, realizar servicio de mantenimiento de una herramienta o cuando una herramienta no esté en uso.

Información de seguridad (continuación)

SEGURIDAD PERSONAL

- Mantenga un apoyo de los pies y un equilibrio apropiados en todo momento. Un apoyo de los pies y un equilibrio apropiados permiten un mejor control de la herramienta en situaciones inesperadas.
- No utilice la unidad en una escalera de mano o un soporte inestable.



ADVERTENCIA: La utilización de cualquier herramienta eléctrica puede hacer que se arrojen objetos extraños hacia los ojos, lo cual puede causar daños oculares graves. Antes de comenzar a utilizar la herramienta, póngase siempre anteojos de seguridad, gafas de seguridad con protectores laterales o una careta completa cuando sea necesario. Use siempre protección ocular marcada para cumplir con la norma ANSI Z87.1.



ADVERTENCIA: Este producto contiene sustancias químicas que el estado de California sabe que causan cáncer y defectos de nacimiento u otros daños sobre la reproducción. Lávese las manos después de manejar el producto.



ADVERTENCIA: Utilice equipo de seguridad. Use siempre protección ocular con protectores laterales cuando utilice herramientas eléctricas. Se debe usar una máscara antipolvo, zapatos de seguridad antideslizantes, casco o protección de la audición para las condiciones apropiadas.



ADVERTENCIA: Manténgase alerta cuando utilice una herramienta eléctrica. No utilice la herramienta mientras esté cansado o bajo la influencia de drogas, alcohol o medicamentos.



ADVERTENCIA: No use ropa holgada ni joyas. Sujétese el pelo largo. Mantenga el pelo, la ropa y los guantes alejados de las piezas móviles. La ropa holgada, las joyas o el pelo largo pueden ser atrapados en las piezas móviles.



ADVERTENCIA: No toque nunca ninguna pieza metálica del compresor que esté al descubierto durante o inmediatamente después de su utilización. El compresor permanecerá caliente durante varios minutos después de utilizarlo. No ponga las manos alrededor de las cubiertas protectoras ni intente realizar mantenimiento hasta que se haya dejado que la unidad se enfríe.



PRECAUCIÓN: El compresor es demasiado pesado para ser levantado por una sola persona. Obtenga ayuda de otras personas antes de levantarlo.

TRASLADO DEL COMPRESOR

- Agarre el asa del compresor e incline el compresor hacia atrás para que descansa sobre las ruedas.
- Cuando se llegue a la ubicación deseada, baje lentamente el compresor hasta el piso. Almacene siempre el compresor en posición vertical, de manera que descansa sobre las defensas de caucho y las ruedas.
- Cuando transporte el compresor en un vehículo, remolque, etc., asegúrese de que se haya drenado el tanque y la unidad esté firmemente sujeta con correas para impedir que vuelque. Tenga cuidado cuando conduzca para evitar volcar la unidad en el vehículo. El compresor o los objetos que lo rodean pueden sufrir daños si el compresor vuelca. Use siempre dos personas cuando levante el compresor y levántelo por los puntos de elevación recomendados. No lo levante por las ruedas ni por la cubierta protectora.



ADVERTENCIA: Riesgo de funcionamiento inseguro. Asegure un apoyo apropiado de los pies y tenga precaución cuando haga rodar el compresor, para que la unidad no vuelque ni cause una pérdida de equilibrio.



PRECAUCIÓN: Las ruedas y el asa no proporcionan la holgura, estabilidad o soporte adecuados para jalar la unidad con el fin de subir y bajar escaleras o escalones. La unidad se debe levantar o se debe empujar subiéndola por una rampa.

Información de seguridad (continuación)

SEGURIDAD DEL COMPRESOR DE AIRE Y LAS HERRAMIENTAS NEUMÁTICAS

- Mantenga los compresores lo más alejado posible del área de rociado: por lo menos a 15 pies (0.4 m) del área de rociado y de todos los vapores explosivos.
- Si la unidad se conecta a un circuito protegido por fusibles, utilice fusibles de acción retardada con este producto.
- Asegúrese de que la manguera esté libre de obstrucciones o enredos. Las mangueras enredadas u obstruidas pueden causar pérdida de equilibrio o del apoyo de los pies, y pueden resultar dañadas.
- Utilice el compresor de aire sólo para el uso para el cual está diseñado. No altere ni modifique la unidad respecto al diseño o la función original. No suelde nunca el tanque de aire ni taladre agujeros en él.
- No deje nunca una herramienta desatendida con la manguera de aire instalada.
- No utilice esta herramienta si no contiene una etiqueta de advertencia legible.
- No continúe utilizando una herramienta o manguera que tenga fugas de aire o que no funcione apropiadamente.
- No intente jalar ni transportar el compresor de aire por la manguera.
- Es posible que su herramienta requiera más consumo de aire del que este compresor de aire es capaz de suministrar.
- No dirija nunca un chorro de aire comprimido hacia personas o animales.
- Protéjase los pulmones. Use una careta o una máscara antipolvo si la operación genera polvo.
- No utilice este compresor de aire para rociar productos químicos. Los pulmones podrían sufrir daños al inhalar vapores tóxicos. Es posible que se necesite un respirador en entornos polvorientos o cuando se rocíe pintura.
- Este compresor está equipado con un protector contra sobrecargas térmicas que apagará el motor si éste se sobrecalienta.



ADVERTENCIA: No intente modificar esta herramienta ni crear accesorios no recomendados para el uso con esta herramienta. Cualquier alteración o modificación de este tipo constituye un uso incorrecto y podría dar lugar a una situación peligrosa que cause posibles lesiones corporales graves.



PRECAUCIÓN: No use el compresor en un ambiente que sea polvoriento o que esté contaminado de alguna otra manera. La utilización del compresor de aire en este tipo de ambiente puede causar daños a la unidad.



PRECAUCIÓN: Riesgo de reventón. No ajuste el regulador para producir una presión de salida mayor que la presión máxima marcada para el aditamento. No utilice la unidad a una presión mayor que la presión nominal máxima de este compresor. Si la unidad se conecta a un circuito protegido por fusibles, utilice fusibles de acción retardada con este producto.



PRECAUCIÓN: Para reducir el riesgo de descargas eléctricas, no exponga el compresor a la lluvia. Almacénelo en un lugar interior.

Información de seguridad (continuación)

SEGURIDAD ELÉCTRICA (CABLES DE EXTENSIÓN)

- Utilice únicamente cordones de extensión de 3 alambres que tengan enchufes de conexión a tierra de 3 terminales y tomacorrientes de 3 polos que acepten el enchufe del producto. Cuando utilice una herramienta eléctrica a una distancia considerable de la fuente de alimentación, utilice un cordón de extensión lo suficientemente pesado como para llevar la corriente que el producto consumirá. Un cordón de extensión de tamaño insuficiente causará una caída de la tensión de la línea, lo cual producirá una pérdida de potencia y hará que el motor se sobrecaliente.
- Use el cuadro provisto más abajo para determinar el tamaño de alambre mínimo que se requiere en un cordón de extensión. Sólo se deberían usar cordones de extensión forrados redondos homologados por Underwriter's Laboratories (UL).
- Utilice únicamente cordones de extensión forrados redondos de 50 pies o menos homologados por Underwriter's Laboratories (UL).
- Cuando utilice una herramienta eléctrica a la intemperie, use un cordón de extensión para intemperie marcado con las letras "W-A" o "W". Estos cordones tienen capacidad nominal para uso a la intemperie y reducen el riesgo de descargas eléctricas.



ADVERTENCIA: Cuando utilice un cordón de extensión, manténgalo alejado del área de trabajo. Posicione dicho cordón de manera que no resulte atrapado en madera de construcción, herramientas u otras obstrucciones mientras usted esté trabajando con una herramienta eléctrica. Si no se hace esto, el resultado puede ser lesiones corporales graves.



ADVERTENCIA: Compruebe los cordones de extensión antes de cada uso. Si están dañados, reemplácelos de inmediato. No utilice nunca el compresor de aire con un cordón de extensión dañado, ya que tocar el área dañada podría causar descargas eléctricas y producir lesiones corporales graves.



ADVERTENCIA: Si el conductor de conexión a tierra del equipo se conecta incorrectamente, el resultado puede ser un riesgo de descargas eléctricas.



PRECAUCIÓN: Evite el contacto del cuerpo con las superficies conectadas a tierra, tales como tuberías, radiadores, estufas de cocina y refrigeradores. Existe un mayor riesgo de descargas eléctricas si el cuerpo del operador está conectado a tierra.



PRECAUCIÓN: No exponga las herramientas eléctricas a la lluvia o a condiciones húmedas. La entrada de agua en una herramienta eléctrica aumentará el riesgo de descargas eléctricas.



PRECAUCIÓN: Reemplace de inmediato los cables de alimentación y el cableado. Los cables de alimentación y el cableado dañados aumentan el riesgo de descargas eléctricas.

AVISO: Use mangueras de aire más largas en lugar de cordones de extensión largos. Su compresor de aire funcionará mejor y durará más.

Amperaje nominal (en la placa de datos del compresor de aire)	
	14 - 16
Longitud del cordón de extensión	Tamaño de alambre (AWG)
25 pies	16
50 pies	12
Utilizado en un circuito de calibre 12 de 20 A.	
NOTA: AWG = American Wire Gauge (calibre de alambre estadounidense)	

Información de seguridad (continuación)

SEGURIDAD ELÉCTRICA (CONEXIÓN ELÉCTRICA)

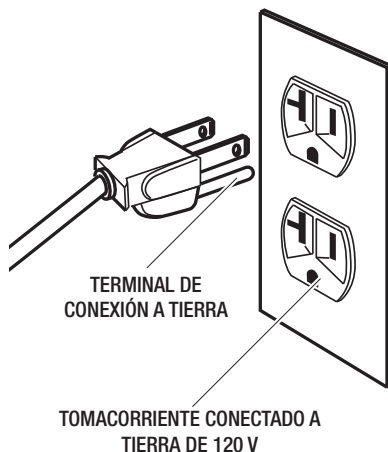
- Este compresor de aire está accionado por un motor eléctrico construido con precisión. Se deberá conectar a una fuente de alimentación que sea de 120 V, 60 Hz, CA solamente (corriente doméstica normal).
- No utilice esta herramienta con corriente continua (CC). Una caída sustancial de tensión causará una pérdida de potencia y el motor se sobrecalentará. Si el compresor de aire no funciona cuando esté enchufado en un tomacorriente, compruebe de nuevo la fuente de alimentación..

SEGURIDAD ELÉCTRICA (VELOCIDAD Y CABLEADO)

- La velocidad sin carga de este producto es aproximadamente 3,450 rpm. Esta velocidad no es constante y disminuye bajo carga o con una tensión más baja.
- Para la tensión, el cableado en un taller es tan importante como la capacidad nominal en caballos de fuerza del motor. Una línea diseñada sólo para luces no puede alimentar apropiadamente el motor de una herramienta eléctrica. Un cable que sea lo suficientemente pesado para una distancia corta será demasiado ligero para una distancia mayor. Es posible que una línea que pueda mantener el consumo de una herramienta eléctrica no sea capaz de mantener el consumo de dos o tres productos.

SEGURIDAD ELÉCTRICA (INSTRUCCIONES DE CONEXIÓN A TIERRA)

- Este producto se debe conectar a tierra. En el caso de un cortocircuito, la conexión a tierra reduce el riesgo de descargas eléctricas al proporcionar un cable de escape para la corriente eléctrica. Este producto está equipado con un cable de alimentación que tiene un cable de conexión a tierra con un enchufe de conexión a tierra apropiado. El enchufe se debe enchufar en un tomacorriente que esté instalado y conectado a tierra apropiadamente de acuerdo con todos los códigos y ordenanzas locales.



ADVERTENCIA: La instalación incorrecta del enchufe de conexión a tierra causará un riesgo de descargas eléctricas. Si es necesario reparar o reemplazar el cable de alimentación o el enchufe, no conecte el cable de conexión a tierra a ninguno de los dos terminales de hoja plana. El cable con aislamiento que tiene una superficie exterior de color verde con o sin franjas amarillas es el cable de conexión a tierra.

- Consulte a un electricista calificado o a personal de servicio calificado si estas instrucciones no se entienden completamente o en caso de duda acerca de si la herramienta está conectada a tierra apropiadamente.
- No modifique el enchufe suministrado; si el enchufe no encaja en el tomacorriente, haga que un electricista calificado instale el tomacorriente apropiado.
- Este producto está diseñado para utilizarse en un circuito de 120 V nominales y tiene un enchufe de conexión a tierra similar al enchufe que se muestra más abajo. Conecte el producto solamente a un tomacorriente que tenga la misma configuración que el enchufe. No utilice un adaptador con este producto.

GARANTÍA LIMITADA

QUÉ ESTÁ CUBIERTO

El fabricante garantiza al comprador minorista original que este producto está libre de defectos de material y de fabricación, y acuerda reparar o reemplazar, a discreción del fabricante, cualquier producto defectuoso, sin cargo alguno, dentro de estos períodos de tiempo a partir de la fecha de compra.

Esta garantía es válida durante dos (2) años si el producto se utiliza para uso personal, familiar o doméstico, y durante noventa (90) días se utiliza para cualquier otro propósito, tal como uso comercial o de alquiler.

Esta garantía se extiende solamente al comprador minorista original y comienza en la fecha de la compra minorista original.

Cualquier pieza del producto fabricada o suministrada por el fabricante y que se compruebe, a juicio razonable del fabricante, que presenta defectos de material o de fabricación, será reparada o reemplazada por un distribuidor de servicio autorizado sin cargo alguno por piezas ni mano de obra.

El producto, incluyendo cualquier pieza defectuosa, debe ser devuelto a un distribuidor de servicio autorizado dentro del período de garantía. El gasto de enviar el producto del fabricante al distribuidor para realizar trabajo bajo garantía y el gasto de devolverlo al propietario después de su reparación o reemplazo serán pagados por el propietario. La responsabilidad del fabricante en relación con los reclamos está limitada a hacer las reparaciones o reemplazos requeridos y ningún reclamo de incumplimiento de la garantía será causa de cancelación o rescisión del contrato de venta de cualquiera de los productos del fabricante. El distribuidor requerirá un comprobante de compra para sustanciar cualquier reclamo bajo garantía. Todo el trabajo bajo garantía debe ser realizado por un distribuidor de servicio autorizado.

QUÉ NO ESTÁ CUBIERTO

Esta garantía no cubre ninguno de los productos del fabricante que haya sido sometido a uso incorrecto, descuido, negligencia o accidente, o que haya sido utilizado de cualquier manera contraria a las instrucciones de utilización, tal y como se especifica en este manual. Esta garantía no se aplica a ningún daño al producto del fabricante que sea el resultado de un mantenimiento inapropiado o a cualquier producto del fabricante que haya sido alterado o modificado. La garantía no se extiende a las reparaciones hechas necesarias por el desgaste normal o por el uso de piezas o accesorios que sean incompatibles con el producto del fabricante o que afecten adversamente su funcionamiento, rendimiento o durabilidad.

El fabricante se reserva el derecho a cambiar o mejorar el diseño de cualquier producto sin asumir ninguna obligación de modificar cualquier producto fabricado previamente. Todas las garantías implícitas están limitadas en duración al período de garantía indicado. Por consiguiente, cualquiera de dichas garantías implícitas, incluyendo las de comerciabilidad, idoneidad para un propósito específico o de otro tipo, queda denegada en su totalidad después del vencimiento del período de garantía apropiado de dos años o noventa días. La obligación del fabricante bajo esta garantía está limitada estricta y exclusivamente a la reparación o el reemplazo de las piezas defectuosas, y el fabricante no asume ni autoriza a nadie a asumir por ello ninguna otra obligación. Algunos estados no permiten limitaciones en relación a cuánto tiempo dura una garantía implícita, por lo cual es posible que la limitación que antecede no tenga aplicación en el caso de usted. El fabricante no asume ninguna responsabilidad por daños incidentales u emergentes ni por otros daños, incluyendo pero sin limitarse al gasto de devolver el producto del fabricante a un distribuidor de servicio autorizado y el gasto de enviarlo de vuelta al propietario, el tiempo de viaje del mecánico, los cargos telefónicos o de telegramas o el alquiler de un producto similar durante el tiempo en que se realice servicio de ajustes y reparaciones bajo garantía, viaje, pérdida o daños a bienes materiales, pérdida de ingresos, pérdida de uso del producto, pérdida de tiempo o inconveniencia. Algunos estados no permiten la exclusión ni la limitación de los daños incidentales o emergentes, por lo que es posible que la limitación o exclusión que antecede no tenga aplicación en el caso de usted.

Esta garantía le confiere a usted derechos legales específicos y es posible que usted tenga también otros derechos, los cuales varían de un estado a otro.

Contacte al Equipo de Servicio al Cliente llamando al 1-800-514-6729 o visite www.HOMEDEPOT.com.

Preutilización

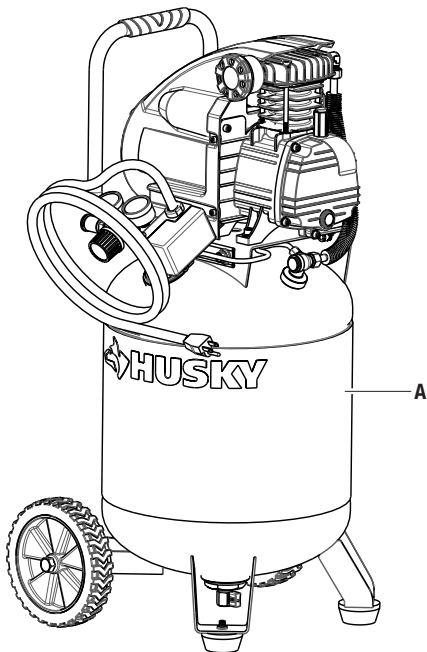
ESPECIFICACIONES

Potencia de funcionamiento	1.5 hp
Capacidad del tanque de aire	37.8 L
Presión de aire	135 psi max
Suministro de aire	4.5 PCEM at 40 psi 3.8 PCEM at 90 psi
Presión de conexión	105 psi
Presión de desconexión	135 psi
Tiempo de llenado del tanque	3 minuto, 30 segundos
Lubricación	Lubricada con aceite
Entrada	120 V, 60 Hz, monofásico CA solamente, 15 A
Requisito mínimo del circuito derivado	15 A
Tipo de fusible	De acción retardada
Peso neto	35.3 kg

CICLO DE SERVICIO

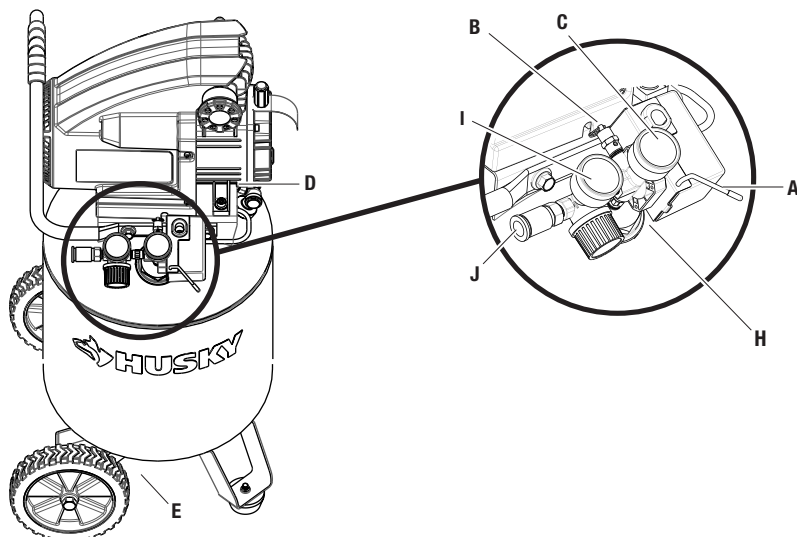
Esta bomba DE compresor de aire es capaz de funcionar continuamente. Sin embargo, para prolongar la vida útil de su compresor de aire, se recomienda mantener un ciclo de servicio promedio de 50%; es decir, la bomba del compresor de aire no debería funcionar más de 30 minutos en cualquier hora dada.

Pieza	Descripción	Cantidad
A	Unidad de compresor de aire	1



Preutilización (continuación)

COMPONENTES DEL SISTEMA



CONTENIDO DEL PAQUETE

Pieza	Descripción
A	Interruptor de ENCENDIDO (I) y APAGADO (O): Ponga este interruptor en la posición de “ENCENDIDO (I)” para proporcionar alimentación eléctrica automática al interruptor de presión, y en la posición de “APAGADO (O)” para desconectar la alimentación eléctrica al final de cada uso.
B	Válvula de seguridad: Si el interruptor de presión no apaga el compresor de aire en su ajuste de presión de “desconexión”, la válvula de seguridad protegerá contra la alta presión al “desplegarse” a su presión ajustada en la fábrica (ligeramente más alta que el ajuste de “desconexión” del interruptor de presión).
C	Manómetro del tanque: El manómetro del tanque indica la presión del aire de reserva en el tanque.
D	Bomba del compresor de aire: Comprime el aire en el interior del tanque. El aire de trabajo no está disponible hasta que el compresor haya subido la presión del tanque de aire por encima de la presión requerida en la salida de aire.
E	Válvula de drenaje: La válvula de drenaje está ubicada en la base del tanque de aire y se utiliza para drenar la condensación al final de cada uso.
F	Válvula de retención (no mostrado): Cuando el compresor de aire está funcionando, la válvula de retención está “abierta”, con lo cual se permite que el aire comprimido entre al tanque de aire. Cuando el compresor de aire alcanza la presión de “desconexión”, la válvula de retención “se cierra”, con lo cual se permite que permanezca presión de aire dentro del tanque de aire.
G	Restablecimiento después de una sobrecarga térmica: (no mostrado) Este motor tiene un protector manual contra sobrecargas térmicas. Si el motor se sobrecalienta por cualquier motivo, el protector contra sobrecargas lo apagará. Se debe dejar que el motor se enfríe antes de rearmarlo. Para rearmarlo: <ol style="list-style-type: none"> 1. Ponga el interruptor de ENCENDIDO/APAGADO (AUTO/OFF) en posición de “APAGADO” (« O ») y desenchufe el cordón de alimentación 2. Deje que el motor se enfríe. 3. Enchufe el cordón de alimentación de nuevo e3n el tomacorriente aprobado Ponga el interruptor de ENCENDIDO y APAGADO (AUTO/OFF) en la posición de “ENCENDIDO” (« I ») para arrancar de nuevo el motor.
H	Regulador: Válvula utilizada para asegurarse de que la presión del tanque nunca alcance niveles peligrosos. Permite al usuario ajustar la presión de salida del tanque, de tal manera que pueda corresponder con los requisitos del trabajo.

Preutilización (continuación)

COLOCACIÓN DEL COMPRESOR DE AIRE



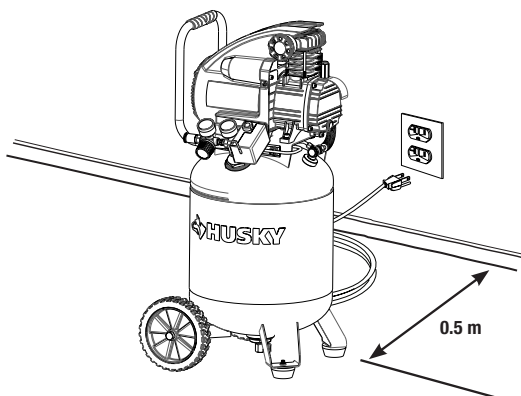
ADVERTENCIA: Si alguna pieza está dañada o falta, no utilice este producto hasta que se hayan reemplazado las piezas necesarias. Si no se hace caso de esta advertencia, el resultado podría ser lesiones corporales graves.



PRECAUCIÓN: No utilice el compresor en un ambiente que sea polvoriento o que esté contaminado de alguna otra manera. El uso del compresor de aire en este tipo de entorno puede causar daños a la unidad.

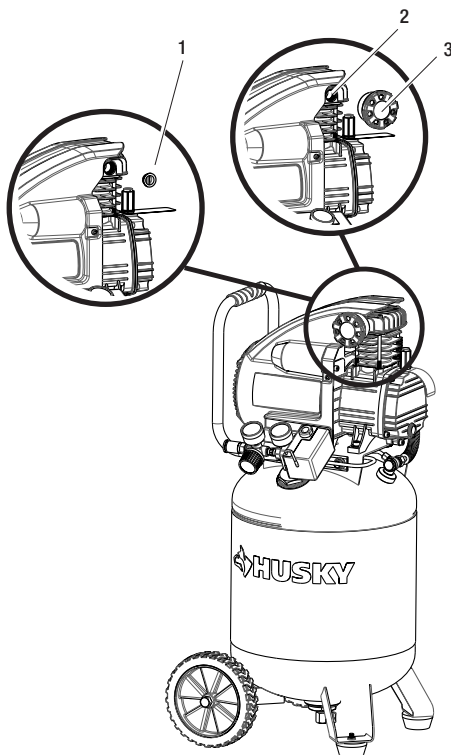
AVISO: Los tramos largos de cable eléctrico podrían causar pérdida de la potencia suministrada al motor.

- Coloque el compresor en un área limpia, seca y bien ventilada.
- El compresor de aire se debe posicionar por lo menos a 0.5 m de la pared u otras obstrucciones que interferirán con el flujo de aire.
- Ubique el compresor de aire lo más cerca que sea posible de la fuente de alimentación principal, para evitar usar tramos largos de cableado eléctrico.
- El filtro de aire se debe mantener despejado de obstrucciones que podrían reducir el flujo de aire al compresor de aire.



INSTALACIÓN DEL FILTRO DE LA ENTRADA DE AIRE

- Retire el tapón de plástico (1) de la cabeza del compresor (2). Saque el filtro de la entrada de aire (3) de la bolsa de polietileno y enrósquelo en la cabeza del compresor (2), de la manera que se muestra en la ilustración.



Preutilización (continuación)

LLENADO DE LA BOMBA DEL COMPRESOR CON ACEITE

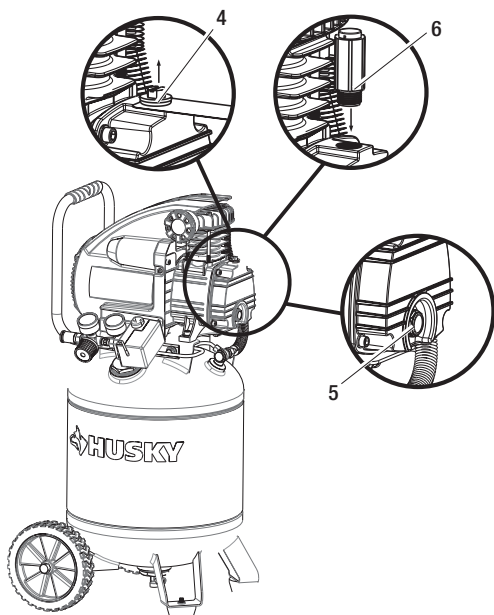


ADVERTENCIA: Drene el tanque para dejar escapar toda la presión de aire del mismo antes de retirar la tapa de llenado de aceite. Asegúrese de que el respiradero de la tapa de llenado de aceite esté libre de residuos. Si el respiradero está bloqueado, se puede acumular presión en el cárter, lo cual causará daños al compresor y posibles lesiones corporales.



PRECAUCIÓN: No intente arrancar el compresor de aire sin añadir primero aceite al cárter. Si lo intenta, el resultado puede ser daños graves, a menos que esté lleno de aceite. La bomba se envía sin aceite desde la fábrica. Utilice únicamente aceites no detergentes, ya que los aceites de motor multiviscosidad dejan depósitos de carbono en los componentes de la bomba, con lo cual se reducen el rendimiento y la vida útil del compresor.

- Retire la tapa (4) del orificio de llenado del aceite. Utilizando un aceite para bomba de compresor de alta calidad, llene la bomba del compresor lentamente por intervalos, hasta que el aceite alcance el centro del círculo rojo del visor del nivel (5). Instale el respiradero (6) incluido, dentro del orificio de llenado del aceite.



Preutilización (continuación)

INSTALACIÓN DE LA MANGUERA



ADVERTENCIA: No intente modificar este producto ni crear accesorios no recomendados para el uso con este producto. Cualquier alteración o modificación de este tipo constituye un uso incorrecto y podría dar lugar a una situación peligrosa que cause posibles lesiones corporales graves.



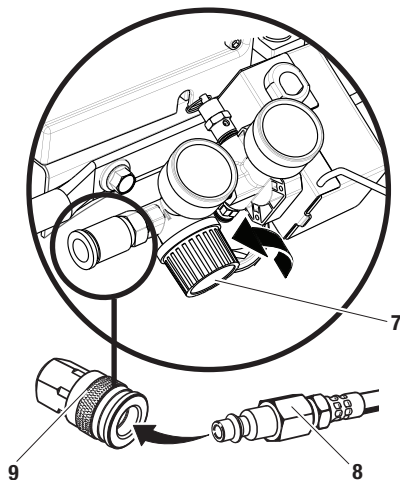
ADVERTENCIA: No instale la herramienta en el extremo abierto de la manguera hasta que se haya completado la preparación para el arranque.



ADVERTENCIA: No deje que la familiaridad con los productos le haga descuidarse. Recuerde que una fracción de segundo de descuido es suficiente para infligir lesiones graves.



ADVERTENCIA: Use siempre anteojos de seguridad o gafas de seguridad con protectores laterales cuando utilice herramientas eléctricas. Si no lo hace, el resultado podría ser que se arrojen objetos hacia los ojos y causen posibles lesiones graves.







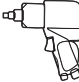
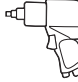

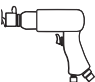

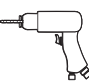





El compresor está ensamblado en la fábrica y listo para utilizarse. Compruebe todos los componentes para asegurarse de que el ensamblaje sea seguro (como por ejemplo: pies de caucho, asa, conectores rápidos, manómetros, válvula de seguridad, válvula de drenaje, etc.).

- Asegúrese de que la alimentación eléctrica al compresor de aire esté desconectada.
- Aplique cinta para roscas a las conexiones roscadas de la manguera (no incluida) e instale el conector rápido en la manguera utilizando una llave de tuerca.
- Aplique la cinta para roscas a las conexiones roscadas del conector macho e instale el conector macho en la manguera utilizando una llave de tuerca.
- Rote el pomo del regulador de presión (7) completamente en sentido contrario al de las agujas del reloj.
- Inserte el extremo de la manguera de aire que tiene el adaptador de manguera (8) en el extremo del acoplador hembra ubicado en el compresor de aire (9).

Preutilización (continuación)

USO DE HERRAMIENTAS

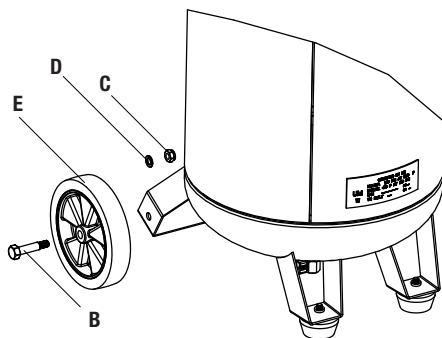
○ = Continuo ○ = Intermitente ○ = No recomendado

Herramienta	Inflado	Clavado de clavos de acabado		Armazonado/techado	Empernado			
								
Uso de herramientas recomendado	○	○	○	○	○	○	○	
Herramienta	Corte/taladrado			Preparación de superficies		Pintura	Pintura HVLP	Pistola engrasadora
								
Uso de herramientas recomendado	○	○	○	○	○	○	○	○

Montaje

1 Montaje

- Instale un perno con tope (B), una arandela (D) y una tuerca (C) en cada rueda (E), valiéndose de los orificios para pernos que están en los soportes de las ruedas. El perno con tope se instala desde el exterior de la rueda, a través del orificio superior del soporte de la rueda. Coloque la arandela y la tuerca en el lado interior del soporte de la rueda y apriétela con firmeza.



1 Preparación para el arranque



ADVERTENCIA: Riesgo de funcionamiento inseguro. Agarre firmemente la manguera de aire con la mano cuando instale o desconecte la unidad para evitar que la manguera dé latigazos.



ADVERTENCIA: Riesgo de funcionamiento inseguro. No utilice accesorios dañados o desgastados.



ADVERTENCIA: Riesgo de reventón. Una presión de aire excesiva causa un riesgo peligroso de reventón. Compruebe la capacidad de presión nominal máxima del fabricante para herramientas de aire y accesorios de aire. La presión de la salida del regulador no debe exceder nunca la capacidad de presión nominal máxima.

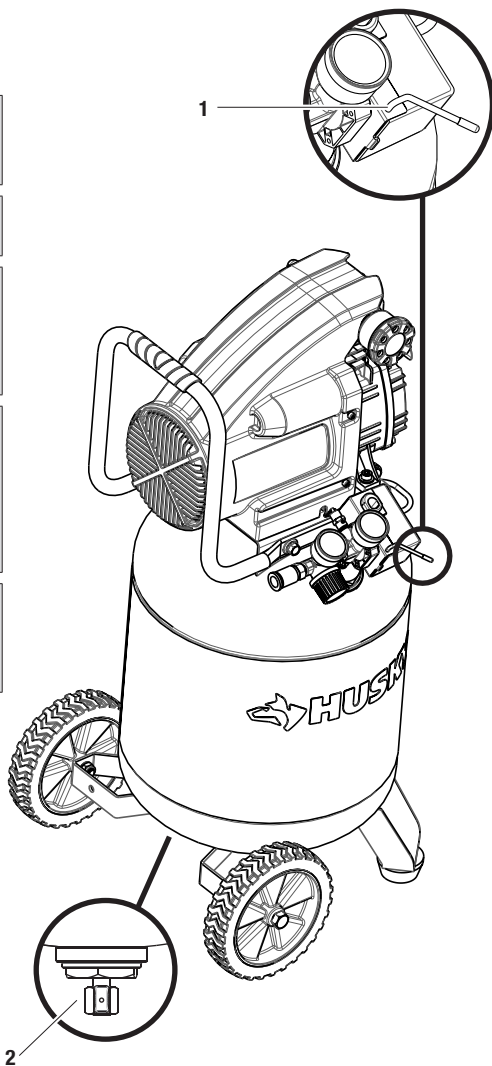


PRECAUCIÓN: Riesgo de funcionamiento inseguro. El aire comprimido procedente de la unidad puede contener condensación de agua y niebla de aceite. No rocíe aire sin filtrar a un objeto que podría ser dañado por la humedad. Puede que algunas herramientas de aire y algunos accesorios de aire requieran aire filtrado. Lea las instrucciones para las herramientas de aire y los accesorios de aire.



NOTA: Se DEBE instalar un regulador cuando se utilicen accesorios con una capacidad nominal de menos de 150 psi. La manguera o el accesorio requerirá un conector rápido si la salida de aire está equipada con un receptáculo de conexión rápida.

- Ponga el interruptor de ENCENDIDO (I) y APAGADO (O) (1) en la posición de apagado.
- Cierre la válvula de drenaje (2).
- Cierre la salida de descarga de aire.



2 Arranque del compresor

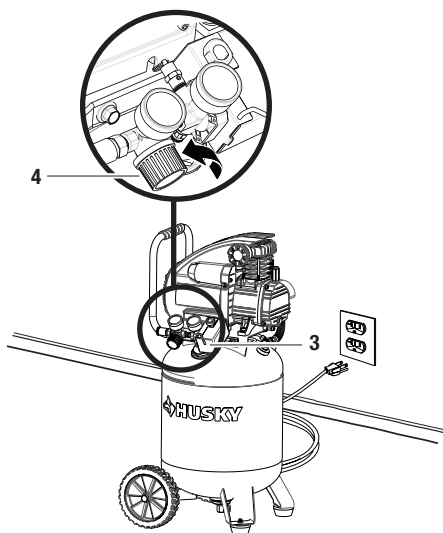


ADVERTENCIA: Riesgo de reventón. Si se nota cualquier ruido o vibración inusual, pare de inmediato el compresor de aire y haga que sea revisado por un técnico de servicio capacitado.



NOTA: Cuando utilice el regulador y otros accesorios, consulte las instrucciones del fabricante.

- Enchufe el cable de alimentación en un tomacorriente apropiado.
- Ponga el interruptor de ENCENDIDO (I) y APAGADO (O) (3) en la posición de encendido y deje que se acumule presión en el tanque. El motor se detendrá cuando la presión del tanque alcance la presión de “desconexión”.
- Ajuste el regulador (4) a un valor de psi que sea necesario para la aplicación que usted desea realizar. Asegúrese de que esté dentro de los estándares de seguridad requeridos para realizar la tarea.



3 Comprobación de la válvula de seguridad

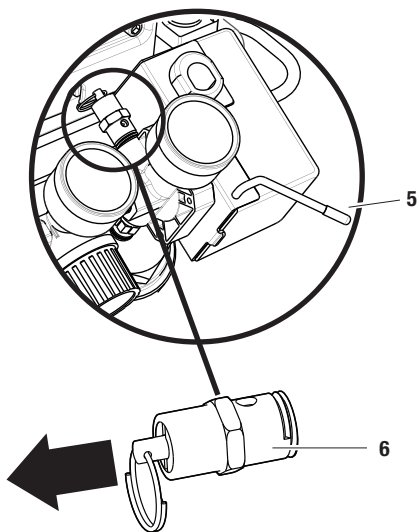


PELIGRO: No manipule indebidamente la válvula de seguridad. Los elementos que se aflojen de este dispositivo podrían salir volando y golpearle a usted. Si no se hace caso de esta advertencia, el resultado podría ser la muerte o lesiones corporales graves. La válvula de seguridad deja escapar aire automáticamente cuando la presión del receptor excede el máximo preajustado. Compruebe la válvula antes de cada día de uso, jalando el anillo con la mano.



ADVERTENCIA: Si hay alguna fuga de aire después de liberar el anillo de la válvula de seguridad o si la válvula se atora, no utilice el compresor de aire hasta que la válvula de seguridad haya sido reemplazada. La utilización del compresor de aire en esta situación podría causar lesiones corporales graves.

- Ponga el interruptor de ENCENDIDO (I) y APAGADO (O) (5) en la posición de encendido y espere a que el tanque se llene. El compresor se apagará automáticamente cuando la presión alcance el máximo prefijado.
- Ponga el interruptor de ENCENDIDO (I) y APAGADO (O) (5) en la posición de apagado.
- Jale el anillo ubicado en la válvula de seguridad (6) durante 20 segundos para dejar que el aire escape.
- Suelte el anillo. El aire deja de escapar aproximadamente a 20 psi. Si continúa escapando aire después de soltar el anillo de la válvula de seguridad, suspenda el uso y obtenga servicio de ajustes y reparaciones antes de usar de nuevo el compresor de aire.



4 Utilización del compresor de aire



ADVERTENCIA: Asegúrese siempre de que el interruptor esté en la posición de APAGADO y que el manómetro del regulador dé una lectura de cero antes de cambiar las herramientas de aire o desconectar la manguera de la salida de aire. Si no se hace así, el resultado podría ser posibles lesiones corporales graves.

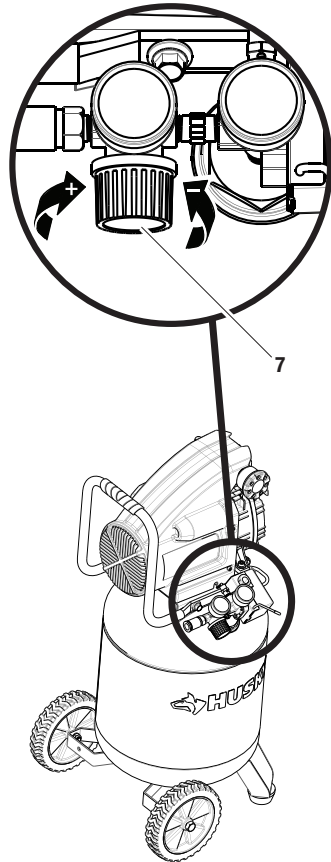


ADVERTENCIA: Es posible que su herramienta requiera más consumo de aire del que este compresor es capaz de suministrar. Consulte el manual de la herramienta para evitar daños a la misma o correr el riesgo de sufrir lesiones corporales.



NOTA: Use siempre la cantidad mínima de flujo de aire con el pomo del regulador de presión. El uso de una presión más alta de lo necesario drenará aire del tanque más rápidamente y hará que la unidad cycle más frecuentemente.

- Rote el pomo del regulador de presión (1) hasta la presión de línea deseada. Al girar el pomo en el sentido de las agujas del reloj (+) se aumenta la presión de aire en la salida; al girarlo en sentido contrario al de las agujas del reloj (-) se reduce la presión de aire en la salida.
- Si se utiliza un accesorio de inflado, controle la cantidad de flujo de aire con el pomo del regulador de presión (7). Al girar el pomo completamente en sentido contrario al de las agujas del reloj se detendrá por completo el flujo de aire.
- Cuando haya acabado, drene siempre el tanque y desenchufe la unidad. No deje nunca la unidad enchufada y/o funcionando desatendida.



5 Drenaje del tanque



ADVERTENCIA: Riesgo de funcionamiento inseguro. Los tanques de aire contienen aire a alta presión. Mantenga la cara y otras partes del cuerpo alejadas de la salida del drenaje. Use protección ocular [ANSI Z87.1 (CAN/CSA Z94.3)] cuando realice el drenaje, ya que los residuos pueden ser arrojados hacia arriba hasta la cara.



ADVERTENCIA: Riesgo por causa del ruido. Use protección de oídos (ANSI S12.6 (S3.19)), ya que el ruido del flujo de aire es elevado cuando se realiza el drenaje.



ADVERTENCIA: Riesgo de reventón. Se condensará agua en el tanque de aire. Si no se drena, el agua corroerá y debilitará el tanque de aire, lo cual causará un riesgo de rotura de dicho tanque.



NOTA: Todos los sistemas de aire comprimido generan condensación que se acumula en cualquier punto de drenaje (por ej., tanques, filtro, posenfriadores y secadores). Esta condensación contiene aceite y/o sustancias lubricantes que pueden estar regulados y se deben eliminar de acuerdo con las leyes y los reglamentos locales, estatales y federales.

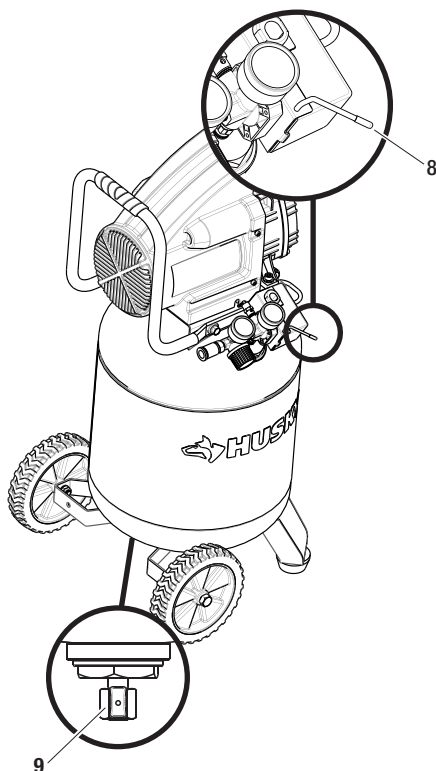


NOTA: Si la válvula de drenaje está obstruida, deje escapar toda la presión de aire. Una vez hecho esto, la válvula se puede retirar, limpiar y reinstalar.



NOTA: Riesgo de daños materiales. El agua de drenaje del tanque puede contener aceite y herrumbre que pueden causar manchas.

- Ponga el interruptor de ENCENDIDO (I) y APAGADO (O) (8) en la posición de apagado.
- Purgue lentamente el aire del tanque del compresor jalando la válvula de seguridad para dejar que la presión escape del tanque hasta que sea aproximadamente 20 psi.
- Drene el agua del tanque abriendo la válvula de drenaje (9) ubicada en la parte inferior del tanque.
- Después de haber drenado el tanque de agua, cierre la válvula de drenaje (9). Una vez hecho esto, se puede almacenar el compresor.



MANTENIMIENTO GENERAL

- Cuando hay humedad en el aire, se forma condensación en el tanque. Dependiendo de las condiciones ambientales, drene la condensación diariamente y/o cada hora. Para obtener instrucciones, consulte “Drenaje del tanque” en la página 18.
- La válvula de seguridad deja escapar automáticamente aire cuando la presión del receptor excede el máximo prefijado.
- Inspeccione anualmente el tanque para determinar si tiene corrosión, agujeros pequeños u otras imperfecciones que podrían hacer que se vuelva inseguro.
- Evite usar solventes cuando limpie piezas de plástico. La mayoría de los plásticos son susceptibles a sufrir daños por causa de diversos tipos de solventes comerciales y pueden resultar dañados por el uso de éstos.
- Use paños limpios para quitar la suciedad, el polvo, el aceite, la grasa, etc.



ADVERTENCIA: Cuando haga servicio de ajustes y reparaciones, utilice únicamente piezas de repuesto HDX idénticas. El uso de cualquier otra pieza puede crear un peligro o causar daños al producto.



ADVERTENCIA: Deje escapar siempre toda la presión, desconecte el compresor de aire de la fuente de alimentación y deje que se enfríe al tacto antes de limpiarlo o repararlo.



ADVERTENCIA: No deje en ningún momento que los líquidos de freno, la gasolina, los productos a base de petróleo, etc., entren en contacto con las piezas de plástico. Los productos químicos pueden dañar, debilitar o destruir el plástico, lo cual puede causar lesiones corporales graves. Las herramientas eléctricas utilizadas en material de fibra de vidrio, tablas de fibra prensada, compuestos para resanar o yeso están sujetos a desgaste acelerado y posible falla prematura debido a que los fragmentos y las amoladuras de fibra de vidrio son sumamente abrasivos para los cojinetes, las escobillas, los conmutadores, etc. Por consiguiente, no recomendamos usar esta herramienta para realizar trabajo prolongado en estos tipos de materiales. Sin embargo, si usted trabaja con cualquiera de estos materiales, es sumamente importante que limpie la herramienta utilizando aire comprimido.

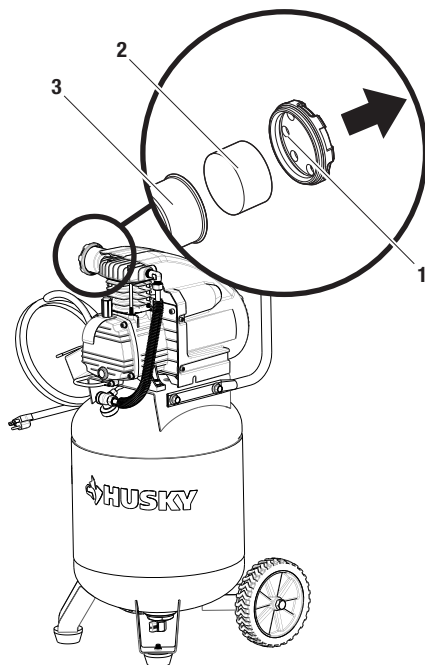
LUBRICACIÓN

Este compresor requiere que haya aceite en el cárter para lubricar la bomba con el fin de que funcione (consulte Llenado de la bomba del compresor con aceite en la página 12). También es necesario cambiar este aceite después de las 10 primeras horas de uso y cada 100 horas después de eso.

LIMPIEZA DEL FILTRO DE AIRE

De vez en cuando es necesario retirar y limpiar el filtro de aire.

- APAGUE el compresor de aire (0).
- Desenchufe el compresor de aire.
- Desacople la cubierta del filtro de aire (1) para retirarla.
- Retire el filtro de aire (2) de la carcasa del filtro de aire (3).
- Sople aire comprimido a través del filtro de aire durante 10-15 segundos.

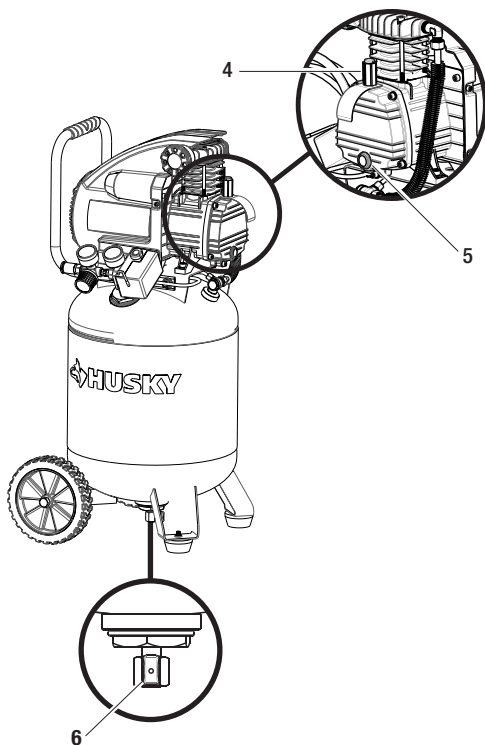


Mantenimiento (continuación)

CAMBIO DE ACEITE

Cuando cambie el aceite de la bomba, asegúrese de hacer lo siguiente:

- Apague la unidad y desenchufe el cable de alimentación del tomacorriente.
- Deje al compresor tiempo para que se enfríe si ha estado funcionando.
- Abra la válvula de drenaje (6) para purgar todo el aire del tanque.
- Cierre la válvula de drenaje (6).
- Retire la tapa de llenado de aceite (4) de la bomba.
- Retire la mirilla de nivel (5) con una llave cerrada o una llave de tubo. Drene el aceite en un recipiente adecuado y deséchelo apropiadamente. Es posible que sea necesario inclinar el compresor ligeramente hacia el agujero de drenaje para permitir que todo el aceite drene.
- Vuelva a colocar el vidrio del visor (5). Asegúrese de que la junta de estanquidad se encuentre entre el vidrio del visor y el cárter de la bomba. Apriete el vidrio del visor hasta que la junta de estanquidad esté bien ubicada contra el cárter de la bomba y después, apriete el vidrio del visor un otro 3/4 de vuelta.
- Rellenar la bomba compresor con aceite de compresor de aire de alta calidad a intervalos lentos hasta que el aceite alcanza el centro del círculo rojo en la mirilla.



Cuidado y limpieza

- Drene el tanque de aire para eliminar la humedad después de la utilización.
- Cuando no esté usando el compresor, almacénelo en un lugar fresco y seco.
- Desconecte la manguera de aire y cuelgue los extremos abiertos hacia abajo para dejar que la humedad drene.
- Proteja el cable eléctrico y las mangueras de aire de daños (tales como ser pisoteados o pasados por encima). Enróllelos en forma floja, aire-dedor de la manija del compresor.

Resolución de problemas

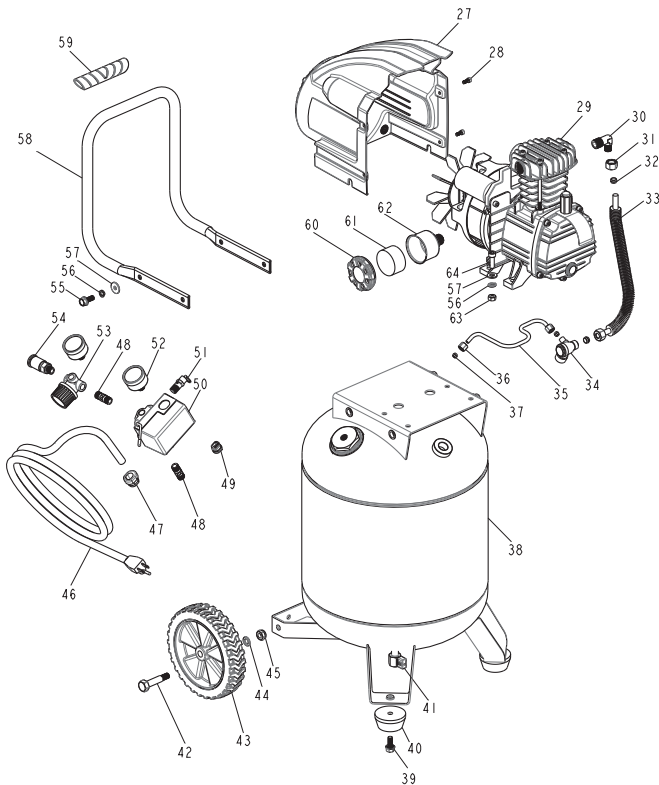
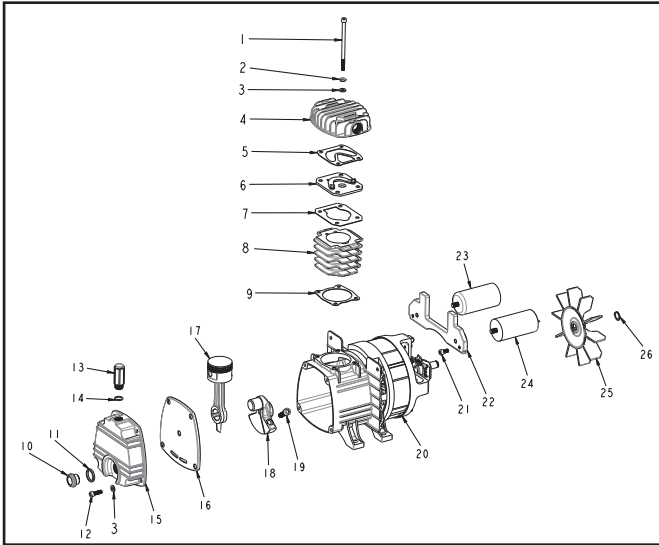
Problema	Causa posible	Solución
El compresor no funciona.	<input type="checkbox"/> Hay una pérdida de potencia o el motor está sobrecalentado.	<input type="checkbox"/> Compruebe que el uso del cordón de extensión es apropiado.
	<input type="checkbox"/> No hay alimentación eléctrica a la unidad.	<input type="checkbox"/> Asegúrese de que la unidad está enchufada.
	<input type="checkbox"/> Ha saltado el cortacircuito o se ha fundido un fusible en la fuente de alimentación principal.	<input type="checkbox"/> Compruebe el fusible/cortacircuito.
	<input type="checkbox"/> El protector contra sobrecargas térmicas está accionado.	<input type="checkbox"/> APAGUE el compresor de aire (O).
		<input type="checkbox"/> Enchufe el compresor de aire en un tomacorriente aprobado.
		<input type="checkbox"/> Conecte el compresor de aire en un aprobado de salida.
	<input type="checkbox"/> ENCIENDA el compresor de aire (I).	<input type="checkbox"/> Lleve el compresor de aire a un centro de servicio.
<input type="checkbox"/> El interruptor de presión está en mal estado.	<input type="checkbox"/> Deje escapar el aire del tanque hasta que el compresor re arranque automáticamente.	
<input type="checkbox"/> El compresor ha alcanzado la presión de apagado automático.		
El motor emite un zumbido mientras funciona lentamente o no funciona en absoluto.	<input type="checkbox"/> La tensión procedente de la fuente de alimentación original es baja.	<input type="checkbox"/> Llame a un electricista.
	<input type="checkbox"/> Se está usando un alambre de calibre incorrecto o una longitud del cordón de extensión incorrecta.	<input type="checkbox"/> Compruebe si el alambre tiene el calibre apropiado y si la longitud del cordón de extensión es apropiada.
	<input type="checkbox"/> Hay un cable del motor en cortocircuito o abierto.	<input type="checkbox"/> Lleve el compresor a un centro de servicio.
	<input type="checkbox"/> Hay una válvula de retención o un descargador en estado defectuoso.	<input type="checkbox"/> Lleve el compresor a un centro de servicio.

Resolución de problemas (continuación)

Problema	Causa posible	Solución
Los fusibles se funden o el cortacircuito salta repetidamente.	<input type="checkbox"/> Se está usando un tipo de fusible incorrecto.	<input type="checkbox"/> Compruebe si el fusible es apropiado. <input type="checkbox"/> Use un fusible de acción retardada. Desconecte otros electrodomésticos del circuito o utilice el compresor en su propio circuito derivado.
	<input type="checkbox"/> Se está usando un alambre de calibre incorrecto o una longitud de cordón de extensión incorrecta.	<input type="checkbox"/> Compruebe si el alambre tiene el calibre apropiado y si la longitud del cordón de extensión es apropiada.
	<input type="checkbox"/> Hay una válvula de retención o un descargador en estado defectuoso.	<input type="checkbox"/> Lleve el compresor a un centro de servicio.
El protector contra sobrecargas térmicas desconecta la unidad repetidamente.	<input type="checkbox"/> La tensión procedente de la fuente de alimentación es baja.	<input type="checkbox"/> Llame a un electricista.
	<input type="checkbox"/> Hay una falta de ventilación adecuada o la temperatura del cuarto es demasiado alta.	<input type="checkbox"/> Traslade el compresor a un área bien ventilada.
	<input type="checkbox"/> Se está usando un alambre de calibre incorrecto o una longitud de cordón de extensión incorrecta.	<input type="checkbox"/> Compruebe si el alambre tiene el calibre apropiado y si la longitud del cordón de extensión es apropiada.
La presión del receptor de aire disminuye cuando el compresor se apaga.	<input type="checkbox"/> Las conexiones (acoplamientos, tubos, etc.) están flojas y tienen fugas.	<input type="checkbox"/> Compruebe todas las conexiones con una solución de agua y jabón y apriételas.
	<input type="checkbox"/> La válvula de drenaje está floja o abierta.	<input type="checkbox"/> Apriete la válvula de drenaje.
	<input type="checkbox"/> La válvula de retención tiene fugas.	<input type="checkbox"/> Lleve el compresor a un centro de servicio.
Hay exceso de humedad en el aire de descarga.	<input type="checkbox"/> Hay exceso de agua en el tanque de aire.	<input type="checkbox"/> Drene el tanque.
	<input type="checkbox"/> El compresor está funcionando en un entorno de alta humedad.	<input type="checkbox"/> Traslade el compresor a un área de menos humedad; use un filtro para la línea de aire.
El compresor funciona continuamente.	<input type="checkbox"/> El interruptor de presión está defectuoso.	<input type="checkbox"/> Lleve el compresor de aire a un centro de servicio.
	<input type="checkbox"/> Se está usando una cantidad excesiva de aire.	<input type="checkbox"/> Reduzca el uso de aire; el compresor no es suficientemente grande para el requisito de la herramienta.
La salida de aire es más baja de lo normal.	<input type="checkbox"/> Las válvulas de la entrada están rotas.	<input type="checkbox"/> Lleve el compresor a un centro de servicio.
	<input type="checkbox"/> Las conexiones (acoplamientos, tubos, etc.) están flojas y tienen fugas.	<input type="checkbox"/> Apriete las conexiones.

Piezas de repuesto

L210VWD, L210VWD.CA, COMPRESOR DE AIRE



Piezas de repuesto (continuación)

L210VWD, L210VWD.CA, COMPRESOR DE AIRE

Número de artículo	Descripción	Cantidad	Número de pieza	Número de kit
1	Tornillo, SHC M6 X 1.0 X 107 mm	4	E108461	4
2	Arandela de seguridad M6	4		4
3	Arandela, plana M6	8		4
4	Empaquetadura de la cabeza a la placa de la válvula	1	E102728	4
5	Junta, culata de pistones	1		1 & 4
6	Ensamblaje, placa de válvula	1		4
7	Junta, placa de válvula al cilindro	1		1 & 4
8	Empaquetadura del cilindro a la placa de la válvula	1	E108433	4
9	Junta, cilindro	1		1 & 4
10	Visor del nivel de aceite	1		3 & 4
11	Junta, visor del nivel de aceite	1		3 & 4
12	Tornillo SHC M6 X 1.0 X 20 mm	4		4
13	Tapón, relleno der aceite	1		2 & 4
14	Anillo "O", tapón, relleno der aceite	1		2 & 4
15	Cubierta, cárter	1	E108530	4
16	Deflector, cárter	1		1 & 4
17	Ensamblaje, pistón	1	E107755	4
18	Excéntrico	1	E107962	4
19	Tornillo, SHC M8 X 1.25 X 25 mm	1		4
20	Caja del cigüeñal	1		4
21	Tornillo, SHC M6 X 1.0 X 12 mm	2		4
22	Soporte para montaje	1	E108370	4
23	Condensador de arranque	1	E106415	4
24	Condensador de marcha	1	E106416	4
25	Ventilador, radial	1	E109064	4
26	Anillo de retención, externo	1	E100979	4
27	Caja	1	E107879	
28	Tornillo, SHC M5 X 0.8 X 12 mm	4		
29	Ensamblaje motor / bomba L2 - escape a la derecha	1		4
30	Montaje, Codo 3/8 NPT X 3/8 Compresión	1	E109007	
31	Tuerca, 3/8 pulg., compresión	2		6
32	Vírola, 3/8	2		6
33	Tubo de salida, cobre, 3/8 pulg.	1		6
34	Válvula de retención, salida, izquierda	1	E101362	

Piezas de repuesto (continuación)

L210VWD, L210VWD.CA, COMPRESOR DE AIRE

Número de artículo	Descripción	Cantidad	Número de pieza	Número de kit
35	Tubo para aliviar la presión, – 1/4 pulg.	1	E101613	7
36	Tuerca, 1/4 pulg., compresión	2		7
37	Casquillo, 1/4 pulg.	2		7
38	Ensamblaje soldado, tanque vertical de 37,8 litros / 10 gal.	1		
39	Tornillo, dentado HFH M8 X 1.25 X 20 ST	2		
40	Pie, aislante (60 mm Diám. X 28 mm Alt.)	2	E100240	
41	Válvula, drenaje, 1/4 vuelta	1	E109399	
42	Perno con tope, M10 X 1.5 X 45 (tope – 39 mm)	2		8
43	Rueda, 7 X 1.5 pulg., roscado “V”	2		8
44	Arandela, plana M10	2		8
45	Tuerca hex. de seguridad, con nilón - M10 X 1.5	2		8
46	Cordón eléctrico - 14/3 AWG – tipo ST, 6 pi Long.	1	E101073	
47	Sujeción, cordón eléctrico - 14/3 ST	1	E101800	
48	Nipple, 1/4 pulg. X 35 mm MNPT	2		
49	Sujeción, cordón eléctrico - 163 ST	1	E100594	
50	Interruptor de presión, 135 psi - centro infer. - 4 X 1/4 NPT - Base	1	E104556	
51	Válvula, Caja	1	E102611	
52	Indicador, de 38 mm de presión con 135 psi R / L	2	E103363	
53	Regulador, 3 Puerto 1/4 NPT	1	E100971	
54	Conexión rápida	1	E107235	
55	Tornillo, SCH M8 X 1.25 X 16 mm	4		
56	Arandela de seguridad de 8 mm	4		
57	Conector rápido de acero	4		
58	Manejo, Roll Bar	1	E109354	
59	Grip, Manilla	1	E109355	
60	Filtro de aire, tapa Husky	1		5
61	Elemento, filtro de aire	1	E101613	5
62	Base, filtro de aire	1		5
63	Tuerca M8 X 1.25	4		
64	Tornillo, SCH M8 X 1.25 X 16 mm	4		



NOTA: Los campos de número de pieza/kit sin número no están disponibles. Las descripciones se proporcionan solamente con fines de referencia. La columna Número de kit representa que la pieza que se esté ofreciendo está disponible en un kit. Se ofrecerá una pieza de cada por kit..

Pièces de rechange (suite)

KITS

Número de kit	Descripción	Número de referencia	Número de pieza
1	Kit - Junta	4,7,8,11,16	E100959
2	Kit - Tapón, relleno der aceite	12 - 15	E100251
3	Kit - Visor del nivel de aceite	1 - 27, 37	E106555
4	Kit - Asamblea Bomba L2 Motor w / RH de escape	34-36	E105153
5	Kit - Filtro de aire	42-44	E104308
6	Kit - Tubo de salida, cobre, 3/8 pulg.	46-48	E101334
7	Kit - Tubo, alivio de presión, cobre, 1/4 pulg.		E109423
8	Kit - Rueda (reemplaza solamente una rueda)		E105863



NOTA: Los campos de número de pieza/kit sin número no están disponibles. Las descripciones se proporcionan solamente con fines de referencia. La columna Número de kit representa que la pieza que se esté ofreciendo está disponible en un kit. Se ofrecerá una pieza de cada por kit..



¿Preguntas, problemas, faltan piezas? Antes de devolver la unidad a la tienda, llame a Servicio al Cliente de Husky de 8 a.m. a 6 p.m., Hora del Este (EST), de lunes a viernes.

1-888-43-HUSKY

HUSKYTOOLS.COM

Conserver ce mode d'emploi pour utilisation future.

Numéro de document : E109411

07/13/2016