



**EARTH® SHOWERHEAD**

Our Niagara Conservation branded Earth® Showerhead features a 9-jet adjustable turbo massage that easily rotates from a gentle needle spray to a forceful jet. As the stream is non-aerated, the showerhead experiences less temperature loss — translating to maximum energy savings.

**THE FEATURES**

- Three spray settings: 9-jet spray, shower and combo
- Pressure compensated technology guarantees a consistent flow rate across a wide range of pressure
- Even, vacillating motion with a large spray diameter
- Corrosion-resistant, high-impact ABS thermoplastic body with metal ball joint
- 10 year warranty\*\*\*

**CERTIFICATION & PERFORMANCE REQUIREMENTS**

- ASME A112.18.1 / CSA B125.1; ASME A112.18.3; ANSI/NSF 61

MODEL #	FINISH	FLOW RATE	WATERSENSE	CASE QTY.
N2912CH	Chrome	1.25 GPM	Yes	50
N2912	White	1.25 GPM	Yes	50
N2915CH	Chrome	1.5 GPM	Yes	50
N2915N	White	1.5 GPM	Yes	50
N2915BN	Brush Nickel	1.5 GPM	Yes	50
N2917CH	Chrome	1.75 GPM	Yes	50
N2917	White	1.75 GPM	Yes	50
N2920CH	Chrome	2.0 GPM	Yes	50
N2920	White	2.0 GPM	Yes	50
N2925N	White	2.0 GPM	No	50

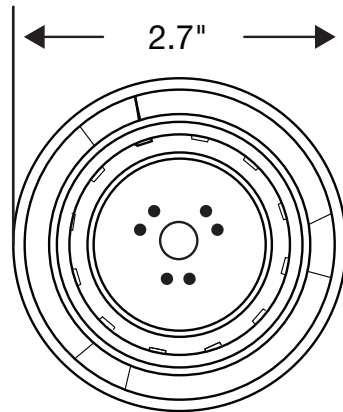
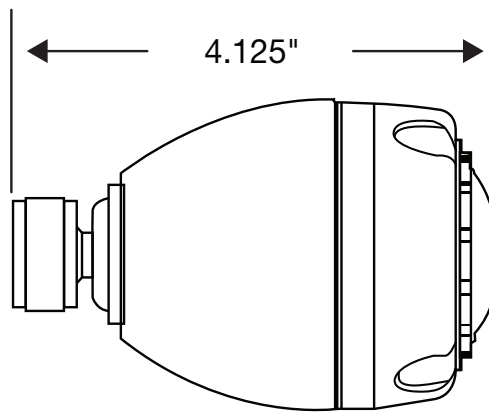
**THE POTENTIAL ANNUAL SAVINGS\***

	FLOW RATE	WATER	ELECTRIC HEATING	GAS HEATING
DOLLAR SAVINGS	1.25 GPM	\$91	\$161	\$90
UTILITY SAVINGS	1.25 GPM	10,950 gallons	1,423 kWh	79 therms

## THE POTENTIAL ANNUAL SAVINGS (CONTINUED)\*

	FLOW RATE	WATER	ELECTRIC HEATING	GAS HEATING
DOLLAR SAVINGS	1.5 GPM	\$73	\$129	\$72
UTILITY SAVINGS	1.5 GPM	8,760 gallons	1,138 kWh	63 therms
DOLLAR SAVINGS	1.75 GPM	\$54	\$96	\$55
UTILITY SAVINGS	1.75 GPM	6,570 gallons	854 kWh	48 therms
DOLLAR SAVINGS	2.0 GPM	\$37	\$72	\$37
UTILITY SAVINGS	2.0 GPM	4,380 gallons	596 kWh	32 therms

## THE DIMENSIONS\*\*



\*Factors in calculating savings potential:

- 3-person households each using a shower 9 minutes per day, 365 days per year (AWWARF Residential Study)
- Comparing water use with these showerheads vs. a standard 2.5 GPM unit
- US city average water and sewer cost of \$8.3 per 1,000 gallons (study done by NUS)

\*\*Dimensions are subject to change

\*\*\*WARRANTY DETAILS

AM Conservation Group, Inc. guarantees to the original purchaser or recipient of a showerhead that it is free from defects in material and workmanship for a period of 10 years. AM Conservation Group, Inc. will at our choice replace any part of the showerhead which is in our opinion defective provided that the product has not been abused, misused, altered, or damaged after its purchase. This includes damage due to the use of tools or harsh chemicals. In the event a product has been discontinued, AM Conservation Group, Inc. will replace it with what we determine to be the closest product. AM Conservation Group, Inc. is not responsible for labor charges, installation, or other consequential cost. AM Conservation Group, Inc.'s responsibility shall not exceed the original cost of the product.

Consulting Group 2011)

- Average cost of electricity 0.113¢ per kWh (Energy Star Nov. 2013 Lightbulb Calculator — [http://www.energystar.gov/?c=cfls.pr\\_cfls\\_savings](http://www.energystar.gov/?c=cfls.pr_cfls_savings))
- Average cost of gas \$1.137 per therm (Bureau of Labor Statistics April 2014)
- Calculations done by <http://www.fishnick.com/savewater/tools/watercalculator>