

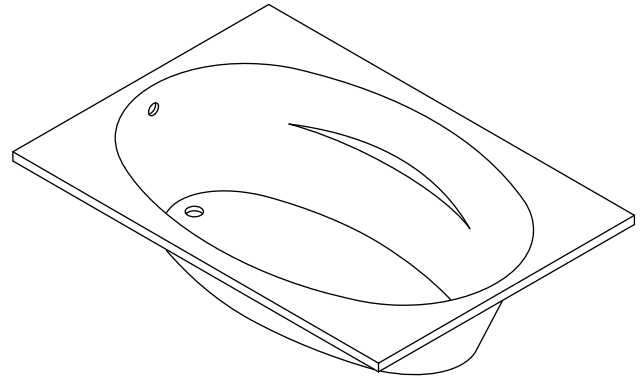
### Features

- *ExoCrylic™*
- *Drop-in or three-wall alcove installation*
- *Molded lumbar support and armrests for comfort*
- *Optional K-1491 removable bath pillow*
- *Optional K-1284 removable apron*
- *60" (1524 mm) x 36" (914 mm) x 18-1/8" (460 mm)*

### Codes/Standards Applicable

- Specified model meets or exceeds the following:
- *CSA B45.5/IAPMO Z124*
  - *State of Massachusetts*

**BATH**  
**K-1142**  
**ALSO K-1142-L, K-1142-R**



### Colors/Finishes

- O: White
- CP: Polished Chrome
- PB: Vibrant® Polished Brass
- Other: Refer to Price Book for additional colors/finishes

### Specified Model

Model	Description	Colors/Finishes	
K-1142	Bath, drop-in (shown)	<input type="checkbox"/> O	<input type="checkbox"/> Other _____
K-1142-L	Bath, tile flange, left drain	<input type="checkbox"/> O	<input type="checkbox"/> Other _____
K-1142-R	Bath, tile flange, right drain	<input type="checkbox"/> O	<input type="checkbox"/> Other _____
<b>Recommended Accessories</b>			
K-11677	Swiftflo™ bath drain	<input type="checkbox"/> CP	<input type="checkbox"/> PB
<b>Optional Accessories</b>			
K-1284	Removable apron	<input type="checkbox"/> O	<input type="checkbox"/> Other _____
K-1491	Removable bath pillow	<input type="checkbox"/> O	<input type="checkbox"/> Other _____

### Product Specification

The ExoCrylic bath shall be 60" (1524 mm) in length, 36" (914 mm) in width, and 18-1/8" (460 mm) in height. Bath shall be drop-in [K-1142] or three-wall alcove installation [K-1142-L/-R]. Bath shall have molded lumbar support and armrests for comfort. Bath shall feature optional K-1284 removable apron and K-1491 removable bath pillow. Bath shall be Kohler Model K-1142-\_\_\_\_-\_\_\_\_ or K-1142-\_\_\_\_-\_\_\_\_.

# PROFLEX® 6036

## Technical Information

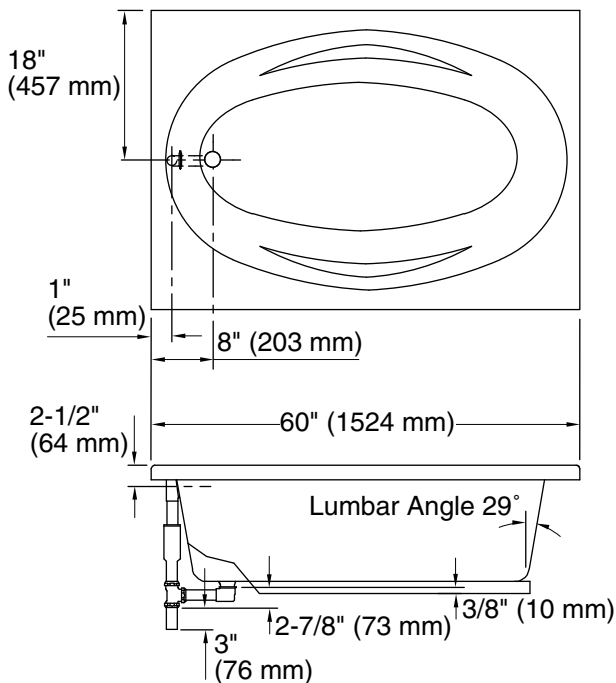
Fixture*:	
Bathing well:	
Basin area, bottom	46" (1168 mm) x 15" (381 mm)
Basin area, top	55" (1397 mm) x 25" (635 mm)
Weight	43 lbs (19.5 kg)
To overflow:	
Water depth	14" (356 mm)
Capacity	57 gal (215.8 L)
* Approximate measurements for comparison only.	
Drop-in cutout	58-1/2" (1486 mm) x 34-1/2" (876 mm)

## Installation Notes

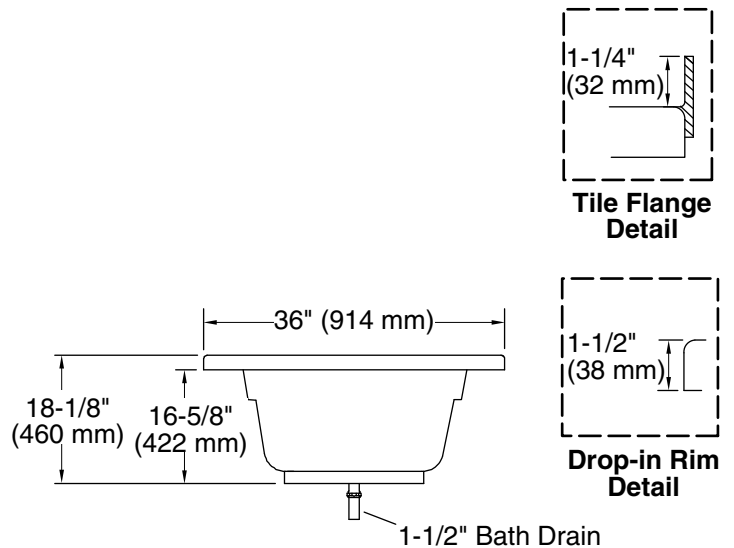
Install this product according to the installation guide.

Floor support under bath must provide for a minimum of 80 lbs/square foot (390 kg/square meter) loading.

The apron must be installed before the finished floor and wall materials are installed.



No change in measurements if connected with drain illustrated. (K-11677)



## Product Diagram