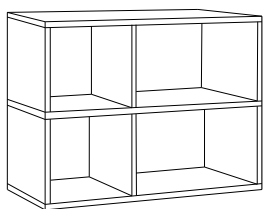


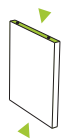
CHELSEA



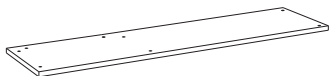
Included



32 Pins



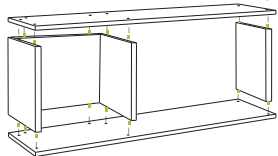
8 Vertical zBoards
adhesive strips on 2 edges



3 Horizontal zBoards

 **WARNING: CHOKING HAZARD**
Small parts NOT for children under 3 years

Important



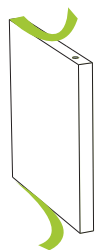
THIS SIDE UP

Tip Start assembly from bottom to top.

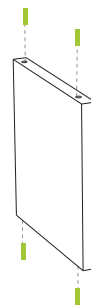
DO NOT place unit on its side or back as it will compromise its structural integrity.



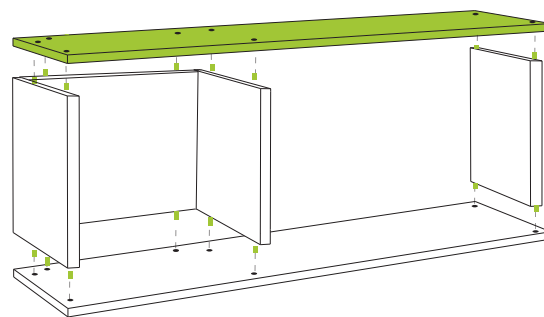
- Assemble your unit on a flat even surface, carpet not recommended
- Furniture is for indoor use only
- When moving your Way Basics furniture, lift from the bottom
- Make sure zBoard surfaces are clean and dry



1 Carefully remove the 3M protective layer from adhesive.

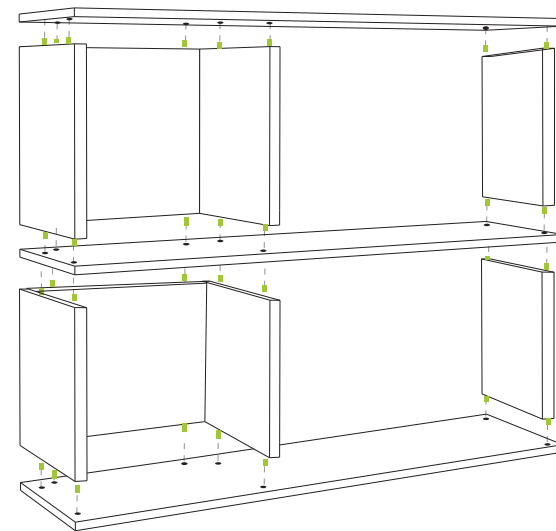


2 Place alignment pins in vertical zBoards.



3 Start with the bottom horizontal zBoard (there will be holes on only one side of board). Align vertical zBoards to holes in the horizontal zBoard.

Next, align middle horizontal zBoard (there will be holes on both sides of board) on top of vertical zBoards.



4 Continue aligning horizontal and vertical zBoards until all tiers have been stacked. Visit links below for more details. Enjoy building possibilities!

