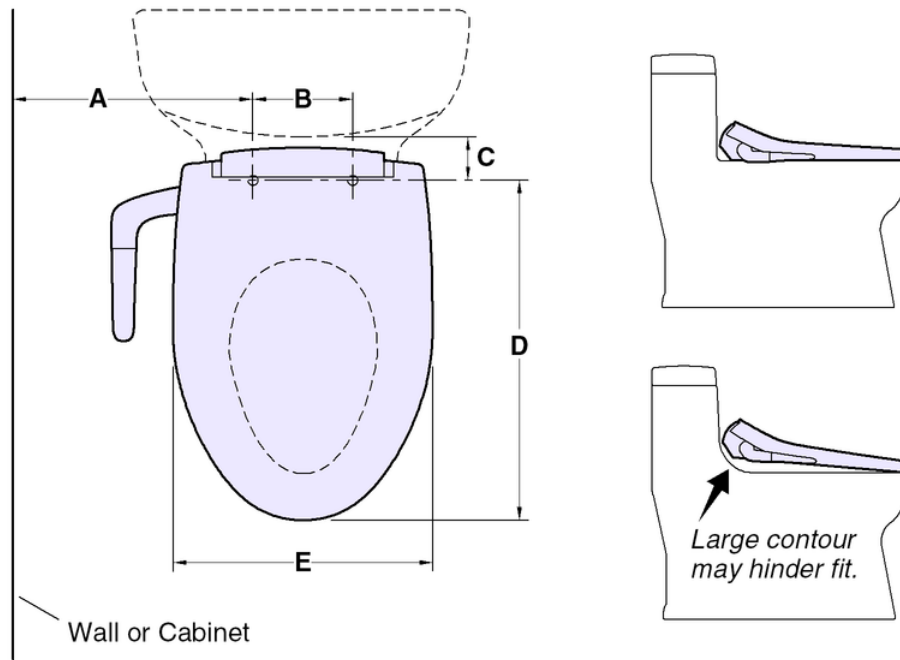


Compatibility with Non-KOHLER Toilets

KOHLER cleansing toilet seats can be installed to non-KOHLER toilets that have compatible dimensions.

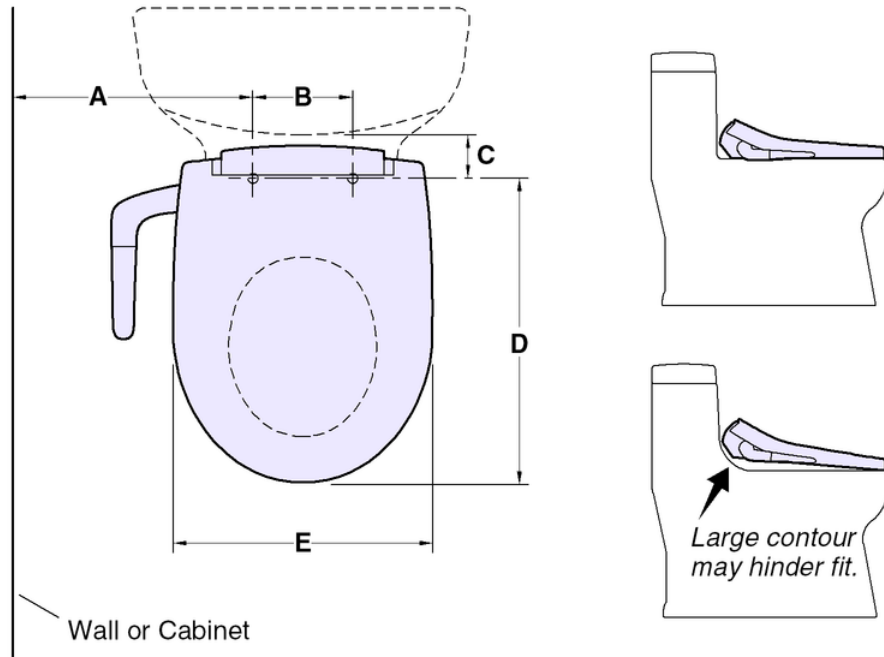
Refer to the information in the following sections to see if your toilet can accommodate the KOHLER cleansing seat.

K-5724 Puretide® Elongated Manual Cleansing Seat



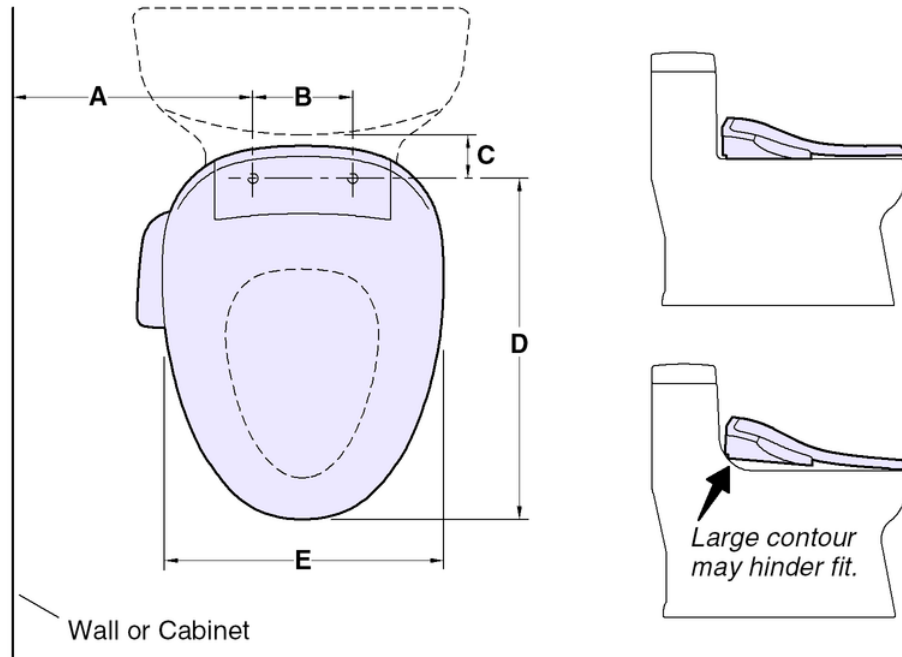
Dimension	Description	Notes
A	13-1/4" (337 mm) Distance from the mounting hole and a wall, cabinet, or other fixture	This is the recommended minimum clearance for maneuverability and proper seat operation.
B	5-1/2" (140 mm) Distance between the mounting holes	The space between seat mounting holes may vary depending on the toilet style. Verify that the holes on your toilet will accommodate the cleansing seat.
C	2-1/8" (54 mm) Minimum space between the tank and the center of the mounting holes	The contours of some toilet tank styles may not allow proper clearance for cleansing seat installation.
D	18-11/16" (475 mm) Distance from the mounting holes to the front of the seat	This cleansing seat is designed for an elongated bowl. If your toilet bowl measurement is shorter than this dimension, the seat will overhang the rim.
E	14-5/16" (364 mm) Cleansing seat width	If the width of your toilet bowl is less than this dimension, the seat will overhang the rim.

K-76923 Puretide® Round Front Manual Cleansing Seat



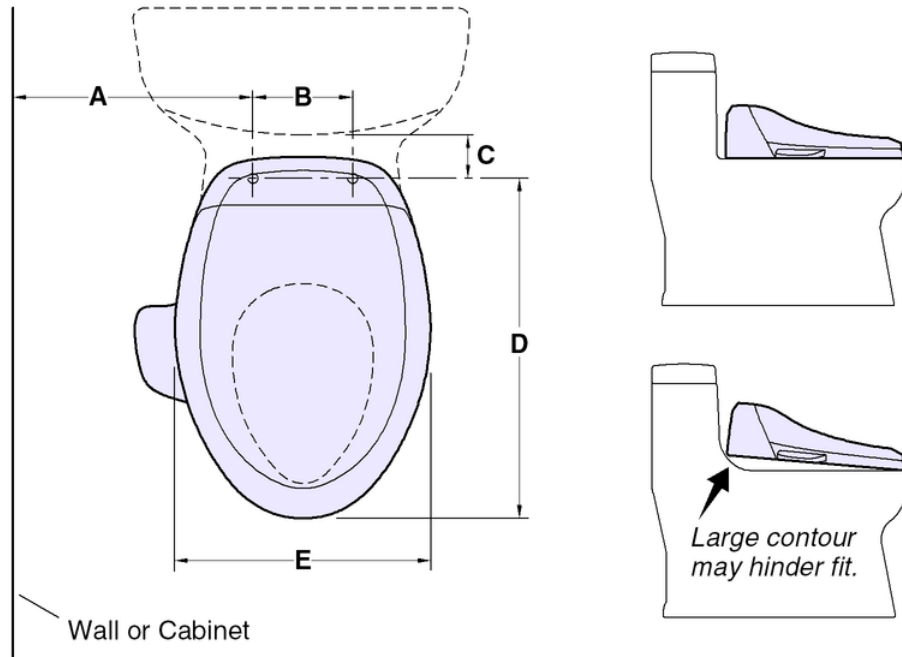
Dimension		Description	Notes
A	13-1/4" (337 mm)	Distance from the mounting hole and a wall, cabinet, or other fixture	This is the recommended minimum clearance for maneuverability and proper seat operation.
B	5-1/8" (130 mm)	Distance between the mounting holes	The space between seat mounting holes may vary depending on the toilet style. Verify that the holes on your toilet will accommodate the cleansing seat.
C	2-1/8" (54 mm)	Minimum space between the tank and the center of the mounting holes	The contours of some toilet tank styles may not allow proper clearance for cleansing seat installation.
D	17-1/8" (435 mm)	Distance from the mounting holes to the front of the seat	This cleansing seat is designed for a round-front bowl. If your toilet bowl measurement is longer than this dimension, the front of the seat will not reach the rim.
E	14-5/16" (364 mm)	Cleansing seat width	If the width of your toilet bowl is less than this dimension, the seat will overhang the rim.

K-18751 C3® 050 Elongated Cleansing Seat with Side Controls



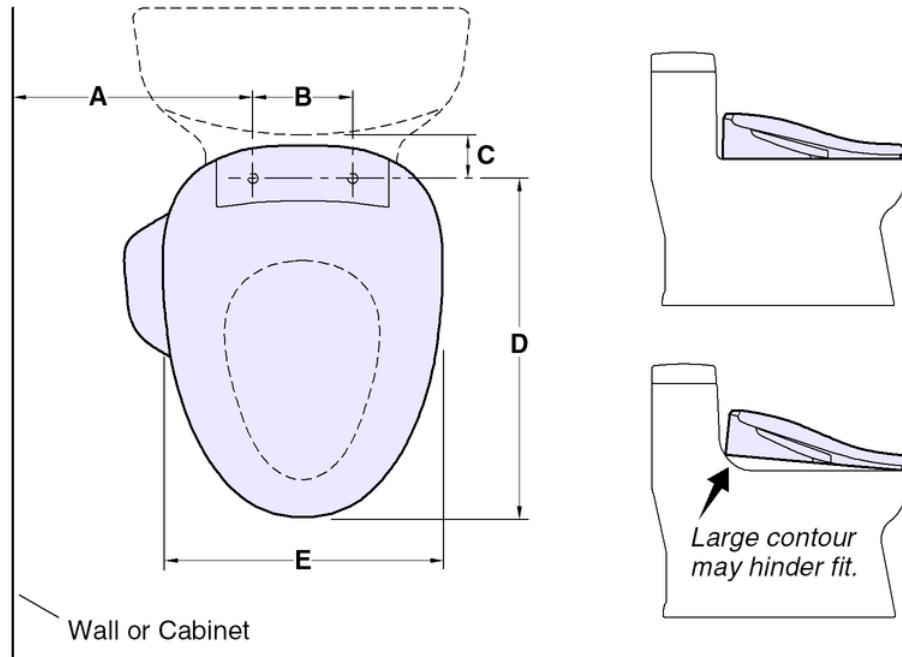
Dimension		Description	Notes
A	13-1/4" (337 mm)	Distance from the mounting hole and a wall, cabinet, or other fixture	This is the recommended minimum clearance for maneuverability and proper seat operation.
B	5-1/2" (140 mm)	Distance between the mounting holes	The space between seat mounting holes may vary depending on the toilet style. Verify that the holes on your toilet will accommodate the cleansing seat.
C	1-1/4" (32 mm)	Minimum space between the tank and the center of the mounting holes	The contours of some toilet tank styles may not allow proper clearance for cleansing seat installation.
D	18-5/8" (473 mm) to 19-3/8" (492 mm)	Distance from the mounting holes to the front of the seat	This cleansing seat is designed for an elongated bowl. If your toilet bowl measurement is within this range, the seat can be mounted flush with the rim. If your measurement is shorter than this range, the seat will overhang the rim.
E	15-9/16" (395 mm)	Cleansing seat width	If the width of your toilet bowl is less than this dimension, the seat will overhang the rim.

K-4737 C3® 125 Elongated Cleansing Seat with Side Controls



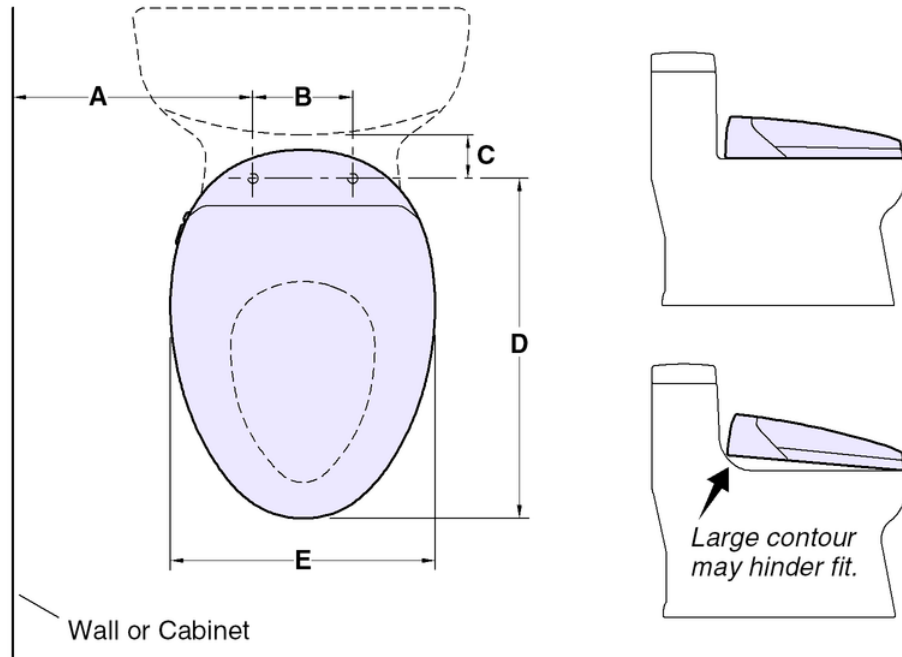
Dimension		Description	Notes
A	13-1/4" (337 mm)	Distance from the mounting hole and a wall, cabinet, or other fixture	This is the recommended minimum clearance for maneuverability and proper seat operation.
B	5-1/2" (140 mm)	Distance between the mounting holes	The space between seat mounting holes may vary depending on the toilet style. Verify that the holes on your toilet will accommodate the cleansing seat.
C	1-7/8" (51 mm)	Minimum space between the tank and the center of the mounting holes	The contours of some toilet tank styles may not allow proper clearance for cleansing seat installation.
D	18-1/4" (464 mm) to 19-5/8" (498 mm)	Distance from the mounting holes to the front of the seat	This cleansing seat is designed for an elongated bowl. If your toilet bowl measurement is within this range, the seat can be mounted flush with the rim. If your measurement is shorter than this range, the seat will overhang the rim.
E	14-1/8" (359 mm)	Cleansing seat width	If the width of your toilet bowl is less than this dimension, the seat will overhang the rim.

K-8298 C3® 155 Elongated Cleansing Seat with Side Controls



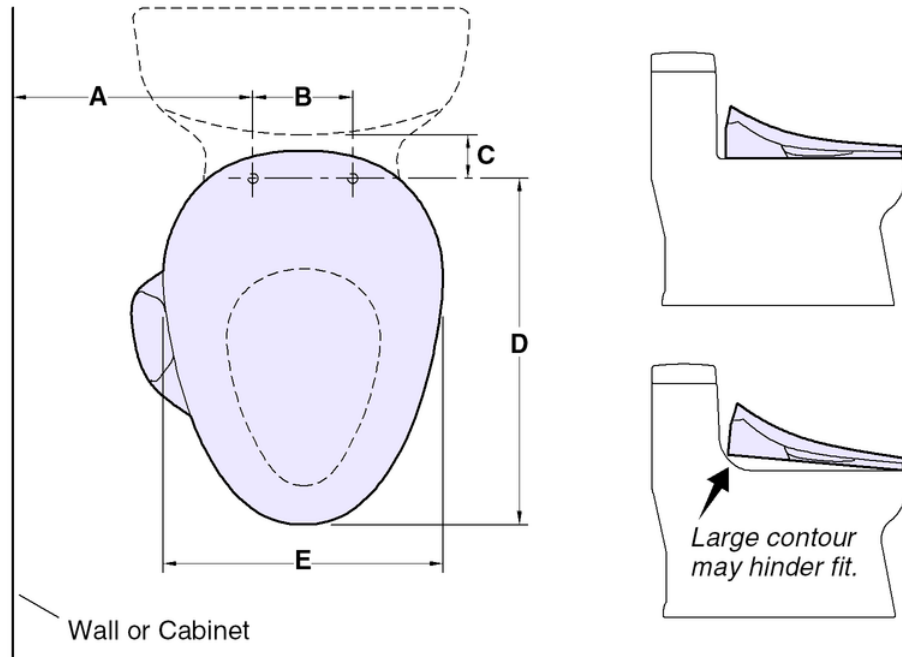
Dimension		Description	Notes
A	13-1/4" (337 mm)	Distance from the mounting hole and a wall, cabinet, or other fixture	This is the recommended minimum clearance for maneuverability and proper seat operation.
B	5-1/2" (140 mm)	Distance between the mounting holes	The space between seat mounting holes may vary depending on the toilet style. Verify that the holes on your toilet will accommodate the cleansing seat.
C	1-1/4" (32 mm)	Minimum space between the tank and the center of the mounting holes	The contours of some toilet tank styles may not allow proper clearance for cleansing seat installation.
D	18-9/16" (471 mm) to 19-3/8" (492 mm)	Distance from the mounting holes to the front of the seat	This cleansing seat is designed for an elongated bowl. If your toilet bowl measurement is within this range, the seat can be mounted flush with the rim. If your measurement is shorter than this range, the seat will overhang the rim.
E	15-1/2" (394 mm)	Cleansing seat width	If the width of your toilet bowl is less than this dimension, the seat will overhang the rim.

K-4709 C3® 200 Elongated Cleansing Seat with Remote Control



Dimension		Description	Notes
A	13-1/4" (337 mm)	Distance from the mounting hole and a wall, cabinet, or other fixture	This is the recommended minimum clearance for maneuverability and proper seat operation.
B	5-1/2" (140 mm)	Distance between the mounting holes	The space between seat mounting holes may vary depending on the toilet style. Verify that the holes on your toilet will accommodate the cleansing seat.
C	2" (51 mm)	Minimum space between the tank and the center of the mounting holes	The contours of some toilet tank styles may not allow proper clearance for cleansing seat installation.
D	17-7/8" (454 mm) to 19-3/8" (492 mm)	Distance from the mounting holes to the front of the seat	This cleansing seat is designed for an elongated bowl. If your toilet bowl measurement is within this range, the seat can be mounted flush with the rim. If your measurement is shorter than this range, the seat will overhang the rim.
E	14-9/16" (370 mm)	Cleansing seat width	If the width of your toilet bowl is less than this dimension, the seat will overhang the rim.

K-4108 C3® 230 Elongated Cleansing Seat with Remote Control



Dimension		Description	Notes
A	13-1/4" (337 mm)	Distance from the mounting hole and a wall, cabinet, or other fixture	This is the recommended minimum clearance for maneuverability and proper seat operation.
B	5-1/2" (140 mm)	Distance between the mounting holes	The space between seat mounting holes may vary depending on the toilet style. Verify that the holes on your toilet will accommodate the cleansing seat.
C	1-3/8" (35 mm)	Minimum space between the tank and the center of the mounting holes	The contours of some toilet tank styles may not allow proper clearance for cleansing seat installation.
D	18-1/4" (454 mm) to 19-1/4" (489 mm)	Distance from the mounting holes to the front of the seat	This cleansing seat is designed for an elongated bowl. If your toilet bowl measurement is within this range, the seat can be mounted flush with the rim. If your measurement is shorter than this range, the seat will overhang the rim.
E	15-3/8" (391 mm)	Cleansing seat width	If the width of your toilet bowl is less than this dimension, the seat will overhang the rim.