



# Installation Instructions for Cultured Marble Shower Bases

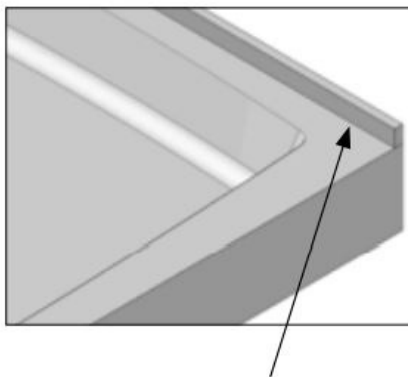


[ellasbubbles.com](http://ellasbubbles.com)

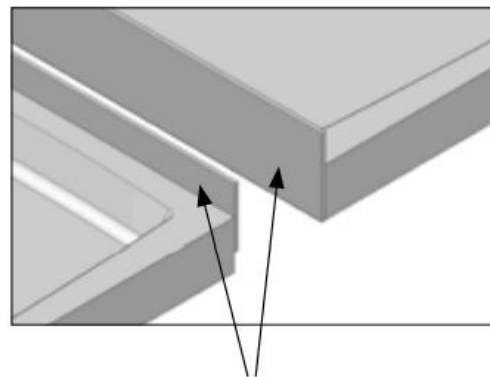
## ⚠ Important Information ⚠

Prior to starting the installation, please read the notes below as they will help plan your installation and avoid unnecessary breakage. Ella's Bubbles is not liable for breakage due to mishandling or improper installing.

1. All shower pans rest on sub-floors, not finished floors. Ella Cultured Marble Shower Bases have been custom designed to drain properly if installed on a leveled surface.
2. Most floors are not leveled. It is best to check the floor level before installing the base. If the floor is not leveled, float the floor with mortar or another suitable material and allow the material to dry before setting the base. Uneveled floor conditions or variances in the bottom of pan within production tolerance may result in the need to use a thin-set material for installation.
3. **DO NOT** use either the integral flanges or the leak-proof fiberglass flanges to lift or handle the base (see below diagram). They are not handles, and it is critical that they are not damaged or broken during installation. Flanges ensure the base will not leak in the event there is a drain problem and water overflows the basin. They also prevent water from getting in behind the wall.



INTEGRAL MARBLE FLANGE



ATTACHED FIBERGLASS FLANGE



## Installation Steps



**1.** Measure carefully to determine the plumbing position and create plenty of access.



**2.** The marble base is VERY heavy. Get adequate help to move it into position.



**3.** Push the shower base carefully in leaving about a half inch clearance from the back wall to accommodate flanges.



**4.** Mask off the rim of the shower base to protect it from dirt, scratches, and other potential damage.



**5.** Cut a piece of cardboard to fit it in the pan for complete protection of the base.



**6.** Clean the base thoroughly before placing the cardboard protection plate down.

### Installation Steps



**7.** The shower base comes with a flange kit for proper fitting and to prevent water leaks.



**8.** Run a bead of silicone caulk down the lower third of the flange keeping about an inch to an inch and a half above the shower base.



**9.** Place the flange carefully against the back side of the shower base making sure you have a good seal. Overlap the edge slightly so the flange will seal correctly at the corners.



**10.** Slide the base in so it's snug against the flanges.



**11.** Add a bead of 100% silicone caulk after the base is set.



**12.** You may require shims for a tight fit for the flanges. Use as many cardboard shims as needed to secure a tight fit. Then, tack them into place.



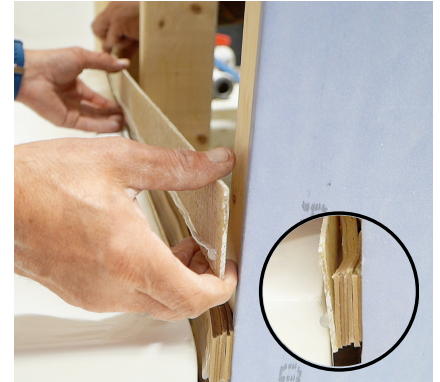
## Installation Steps



**13.** Place a bead of 100% silicone caulk on the cardboard shim so it seals tightly against the back side of the flange.



**14.** Run a bead of 100% silicone caulk on the lower third of the flange.



**15.** Slide the shims carefully into position leaving one to one and a half inches of clearance from the top of the base.



**16.** Run another bead of 100% silicone caulk concealing the base and the flange. Make sure there are no gaps in your bead of silicone.



**17.** Repeat the same process for the other side using the proper amount of shims and sealing them with a bead of 100% silicone caulk.



**18.** Always keep a clean work area and make sure to clean up residual silicone seepage with denatured alcohol.