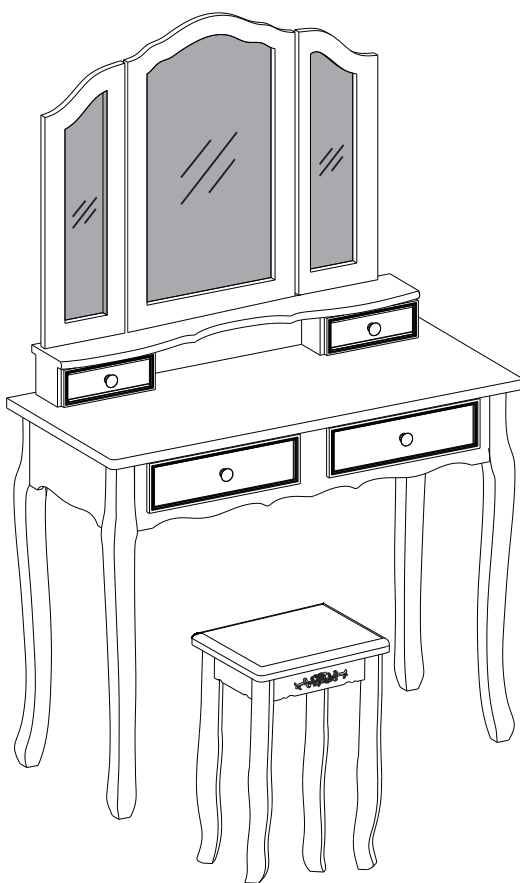



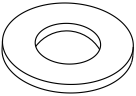
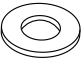

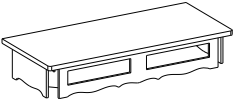

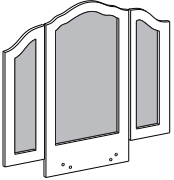
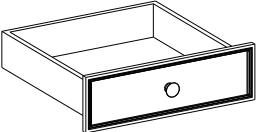
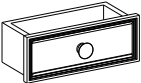

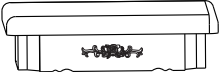
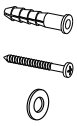
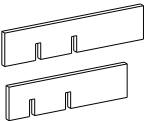




HW55563



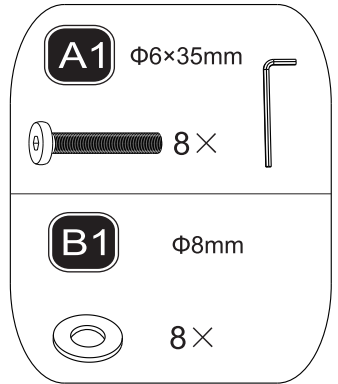
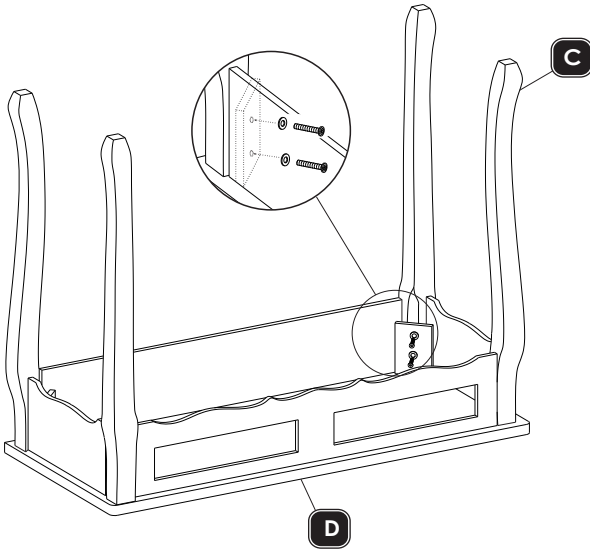
Warning

- To prevent tipping over, the furniture must be fixed to the wall with the safety fitting provided. Different wall materials require different types of fixing devices. If needed, please purchase the suitable fixing devices at local retail store.
- The product is not intended for children. Children must be under adult supervision to use the product. Never allow children to climb or play around the product, in order to prevent the product tipping over and mirror body being broken, and protect children from personal injury.
- During the assembly process, keep small objects out of the reach of children. It may be fatal if swallowed or inhaled.
- To avoid danger of suffocation, keep the plastic bag away from babies and children.
- Please check if the table is intact and if the components are complete before assembly.
- Do not place the edge of the unwrapped components on the floor to avoid the fray or damage.
- It is recommended that two adults finish the assembly. To avoid damaging the product, please assemble the unit on the flat, clean and soft floor.
- Follow the assembly steps shown in the diagram to position and adjust the parts, then gradually tighten all screws.
- We do not suggest to use electric drill for inserting the screws. It may damage to the product. Please use hand screwdriver (not supplied).
- After the assembly, please place the dresser table in a ventilated area. The odour will disappear after two days.
- Never touch with sharp objects or corrosive chemicals, which may spoil the surface of the table.
- Make sure all surfaces are protected from heat and liquids by mats and coasters. Wipe up the spills immediately and ensure that a mat or pad is placed under paper if you are writing.

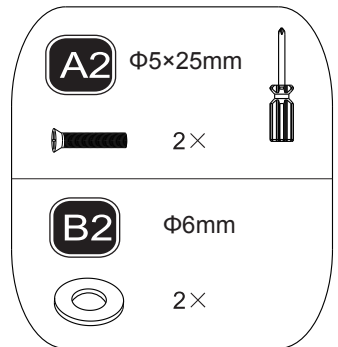
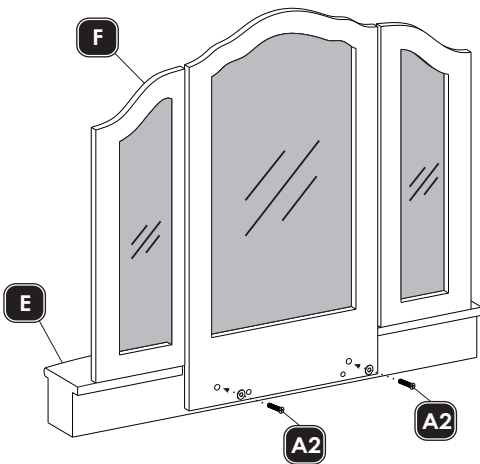
<p>A1 16×</p>  <p>Φ6×40mm</p>	<p>A2 2×</p>  <p>Φ5×25mm</p>	<p>A3</p>  <p>1×</p>
<p>B1 16×</p>  <p>Φ8mm</p>	<p>B2 2×</p>  <p>Φ6mm</p>	<p>C</p>  <p>4×</p>
<p>D</p>  <p>1×</p>	<p>E</p>  <p>1×</p>	<p>F</p>  <p>1×</p>
<p>G</p>  <p>2×</p>	<p>H</p>  <p>2×</p>	<p>N</p>  <p>4×</p>
<p>O</p>  <p>1×</p>	<p>P</p>  <p>1×</p>	<p>Q</p> 
		<p>R1</p>  <p>1×</p> <p>R2</p>  <p>Φ5×20mm</p> <p>4×</p>

2

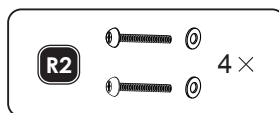
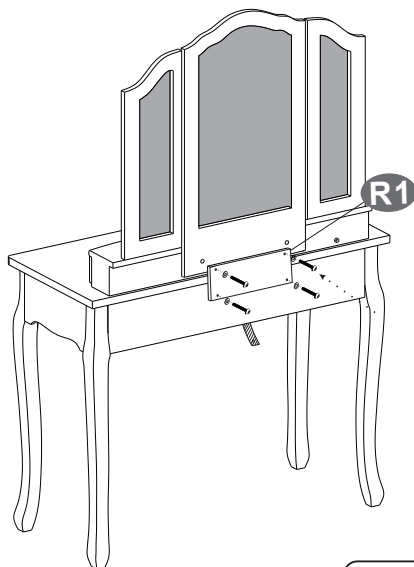
Assembly Steps



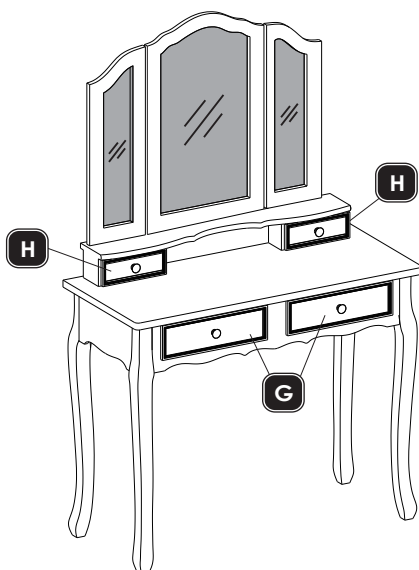
STEP 1



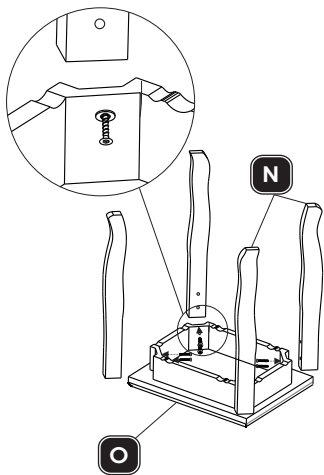
STEP 2


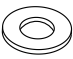


STEP 3

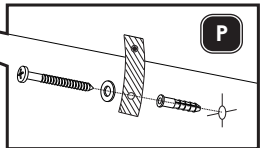
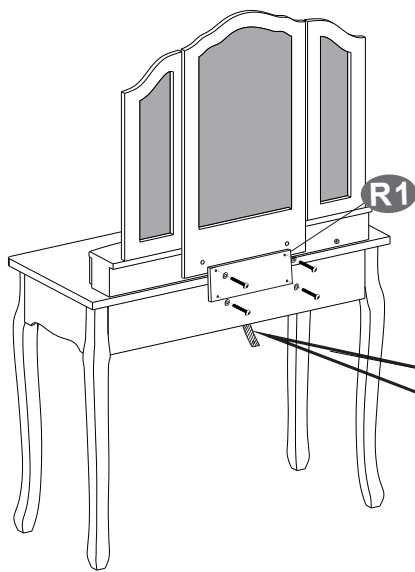


STEP 4

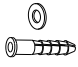



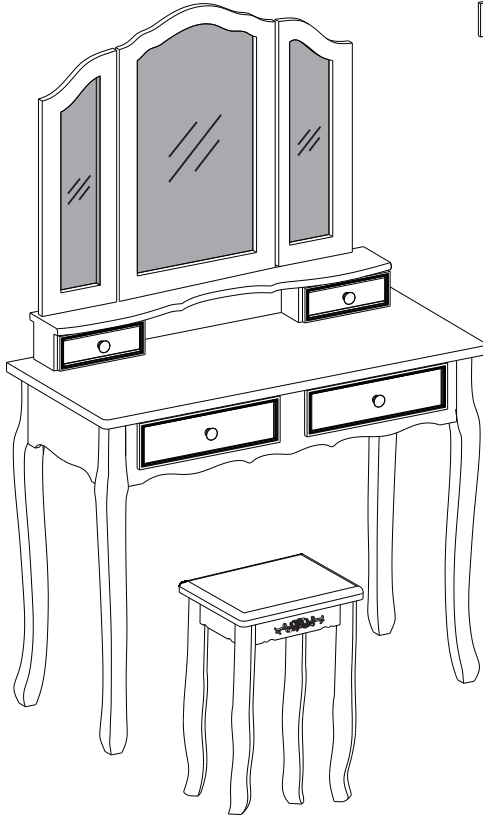
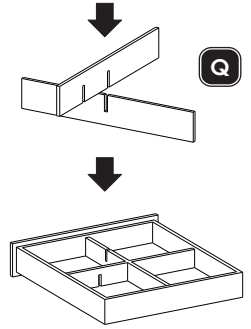
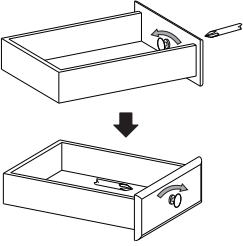
A1	$\Phi 6 \times 35 \text{mm}$	
	8 ×	
B1	$\Phi 8 \text{mm}$	
	8 ×	

STEP 5



STEP 6

P		1 ×
		



STEP 7