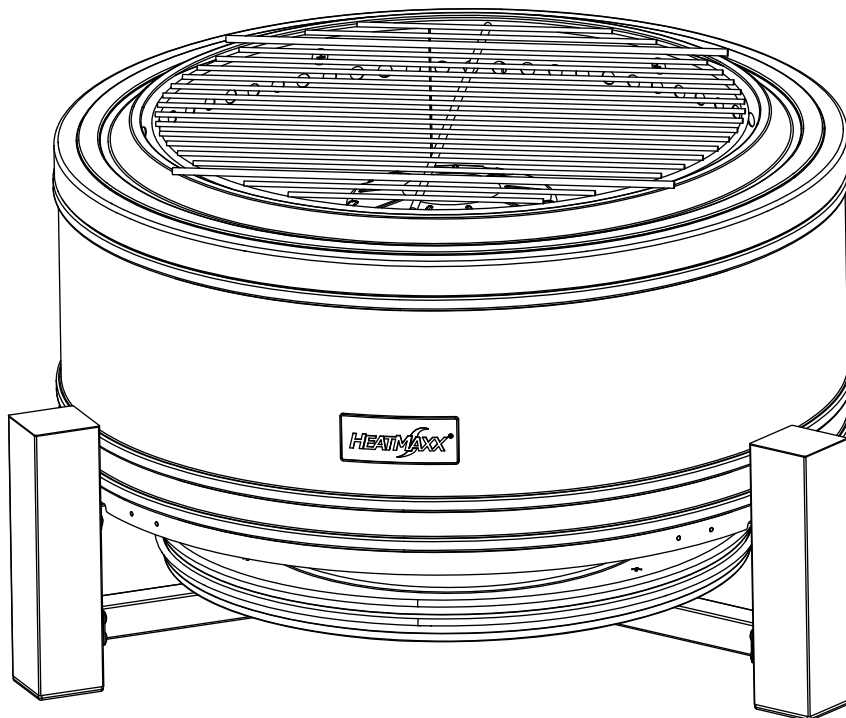




## 22-in Smokeless Fire Pit

OWNER'S MANUAL AND ASSEMBLY INSTRUCTIONS

Model Number: SRFP12119R



**KEEP THIS INSTRUCTION MANUAL FOR FUTURE REFERENCE.**

**⚠ WARNING**

**ADULT ASSEMBLY REQUIRED.**  
Keep screws, nuts and parts out of reach of children.

**CUSTOMER SERVICE: 1-888-909-3888**  
Monday - Friday, 7:30 a.m. – 4:30 p.m., PST

# TABLE OF CONTENTS

WARNINGS _ _ _ _ _	1-2
PARTS AND HARDWARE _ _ _ _ _	3
ASSEMBLY INSTRUCTIONS _ _ _ _ _	4-7
PRODUCT USE OR INSTRUCTIONS _ _ _ _ _	8
CARE AND MAINTENANCE _ _ _ _ _	9
WARRANTY INFORMATION _ _ _ _ _	10

## BEFORE ASSEMBLY:

- Verify all the parts are included BEFORE you begin assembly. Refer to the Parts Lists section. For your convenience, some parts might be pre-assembled or attached to fire pit components.
- If any parts are missing, do not attempt to assemble the fire pit. Call Customer Service to request replacement parts.
- Read the Assembly section completely before beginning the assembly process. This will allow you to become familiar with parts and steps. In some cases, it might be necessary to leave hardware loose for further assembly steps.

Keep this manual for future reference. It contains useful information and important procedures for maintenance and safety.

# WARNINGS

 **WARNING**

For Outdoor Use Only  
(outside any enclosure)

 **WARNING**

1. Improper installation, adjustment, alteration, service, or maintenance may result in property damage, injury or death.
2. Read the installation, operation, maintenance instructions thoroughly before installing or servicing this equipment.
3. Failure to follow these instructions could result in a fire or explosion, which could cause property damage, personal injury or death.

Save these instructions for future reference. If you are assembling this fire pit for someone else, give this manual to him or her to save for future reference.

 **WARNING**  
**FOR YOUR SAFETY**

1. DO NOT use this fire pit without reading this entire document and all WARNINGS, cautions and instructions.
2. This item is for outdoor use only, and shall NOT be used in a building, garage or any other enclosed area.
3. DO NOT use this fire pit for indoor heating. TOXIC carbon monoxide fumes can accumulate and cause asphyxiation or death.
4. This fire pit is NOT for commercial use.
5. This fire pit is NOT to be operated by children.
6. This fire pit is NOT to be used in or on boats or recreational vehicles.
7. Always use in accordance with all applicable local, state and national codes. Contact your local fire department for details on outdoor burning.
8. When using this fire pit, exercise the same precautions you would with any open fire.
9. The use of alcohol, prescription or non-prescription drugs may impair the consumer's ability to properly assemble or safely operate this fire pit.
10. This fire pit is for use with dry, seasoned hardwood and pellet. It will burn hotter, more completely and create less smoke.
11. DO NOT burn charcoal briquette, lump charcoal, manufactured logs, driftwood, trash, leaves, papers, cardboard, plywood, painted or stained or pressure treated wood. Avoid using softwoods such as pine or cedar that can throw sparks.
12. DO NOT alter this fire pit in any manner.
13. DO NOT use this fire pit until it is COMPLETELY assembled and all parts are securely fastened and tightened.

---

## WARNINGS

---

14. DO NOT store or use gasoline or other flammable vapors or liquids in the vicinity of this or any other appliance.
15. DO NOT store or use an LP gas cylinder within 10 feet (3.05 m) of this fire pit while it is in operation.
16. DO NOT use this fire pit near automobiles, trucks, vans or recreational vehicles.
17. DO NOT use in an explosive atmosphere. Keep outdoor area clean and free from combustible materials, gasoline and other flammable liquids.
18. DO NOT use this fire pit under an overhead or near any unprotected combustible constructions. Avoid using near or under overhanging trees and shrubs.
19. Always use this fire pit on a hard level non-combustible surface such as concrete, rock or stone. An asphalt or blacktop surface may not be acceptable for this purpose. DO NOT use on wooden decks.
20. Always empty this fire pit before each use.
21. DO NOT wear flammable or loose clothing when operating this fire pit.
22. DO NOT use in windy conditions.
23. DO NOT use gasoline, kerosene, diesel fuel, lighter fluid to relight fires.
24. Keep all electrical cords away from a hot fire pit.
25. All surfaces of this fire pit are hot when in operation. To avoid burns, do NOT touch fire pit until it has completely cooled unless you are wearing protective gear (potholders, gloves, BBQ mittens, hot pads etc). Never touch ashes or coals to see if they are hot.
26. DO NOT leave a lit fire pit unattended, especially around children and pets.
27. DO NOT attempt to move or store this fire pit until ashes and coals are completely extinguished.
28. DO NOT remove ashes or coals until they are completely extinguished.
29. Use heat-resistant gloves or hot pads when touching fire pit.
30. Do not add additional firewood until the fire burns down.
31. DO NOT lean over this fire pit when lighting or when in use.
32. Avoid breathing smoke from the fire and avoid getting it into your eyes.
33. This fire pit should be thoroughly inspected and cleaned on a regular basis.
34. After a period of storage and/or non-use, check for signs of damage and creosote build-up. DO NOT operate until necessary repairs and/or clean up is executed.
35. Death, serious injury or damage to property may occur if the above is not followed exactly.

 **WARNING:**

This product can expose you to chemicals including soot, which is known in the State of California to cause cancer and reproductive toxicity, and carbon monoxide, which is known to the State of California to cause birth defects or other reproductive harm. For more information, go to: [www.P65Warnings.ca.gov](http://www.P65Warnings.ca.gov).



# PARTS AND HARDWARE

## PREPARATION

Before beginning assembly of product, make sure all parts are present. Compare parts with package contents list and hardware contents list.

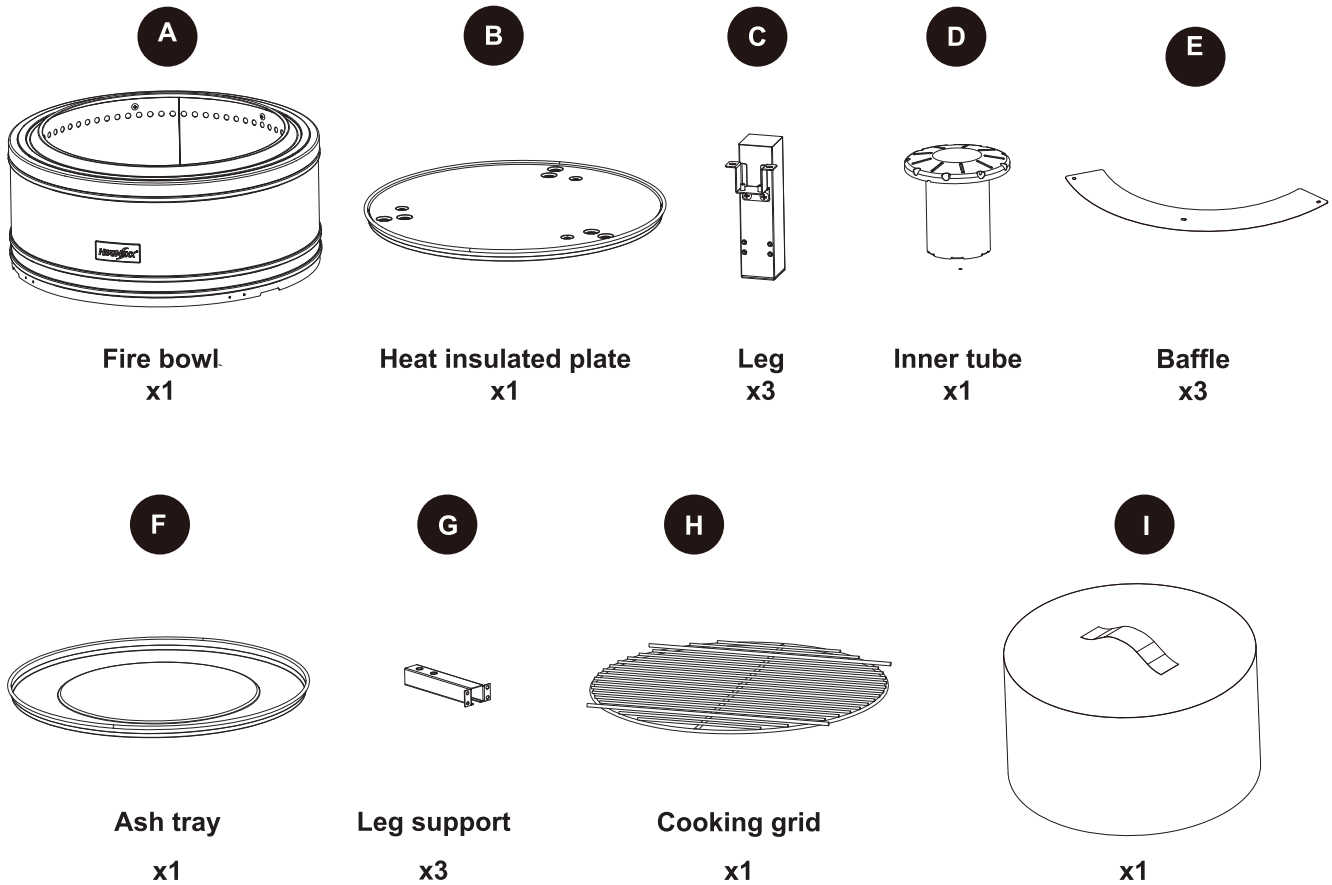
If any part is missing or damaged, do not attempt to assemble the product.

Estimated Assembly Time: 20 minutes

TOOLS REQUIRED (Not included):

1	Phillips screwdriver	
---	----------------------	---

## PACKAGE CONTENTS



**A**  
Fire bowl  
x1

**B**  
Heat insulated plate  
x1

**C**  
Leg  
x3

**D**  
Inner tube  
x1

**E**  
Baffle  
x3

**F**

Ash tray  
x1

**G**

Leg support  
x3

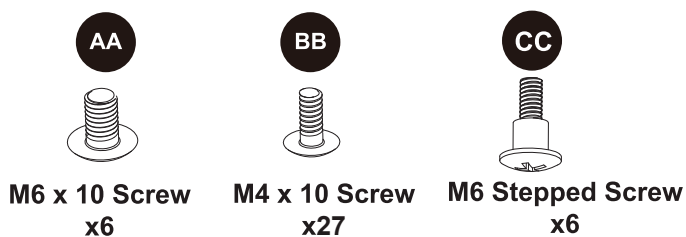
**H**

Cooking grid  
x1

**I**

x1

## HARDWARE CONTENTS



**AA**  
M6 x 10 Screw  
x6

**BB**  
M4 x 10 Screw  
x27

**CC**  
M6 Stepped Screw  
x6

---

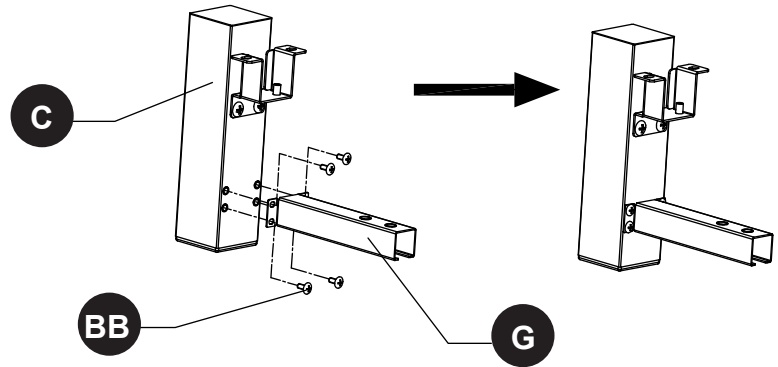
# ASSEMBLY INSTRUCTIONS

---

NOTE: Assemble the fire pit on a non-abrasive, level surface. If missing parts please contact customer service.

## Step 1

Attach the leg supports (G) to the legs (C) with (12) M4 x 10 screws (BB) as illustrated.



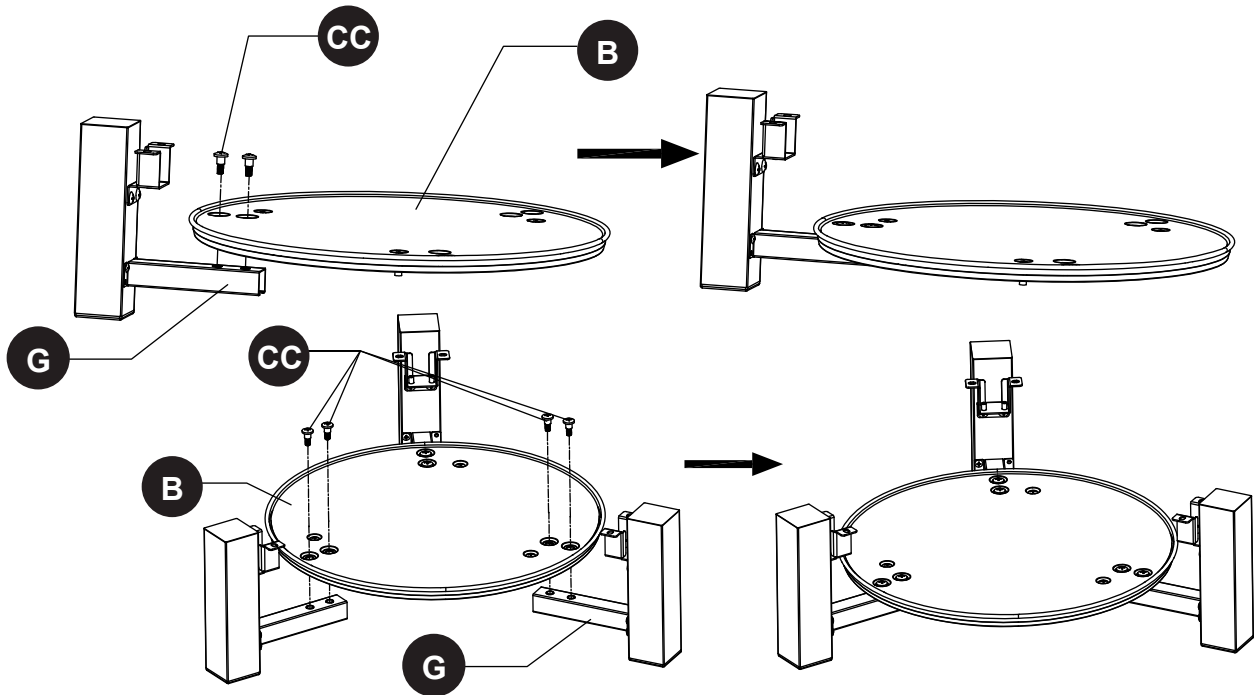
---

### Hardware Used

**BB** M4 x 10 Screw  x12


## Step 2

Attach the heat insulated plate (B) to the leg supports (G) with (6) M6 stepped screws (CC) as illustrated.



---

### Hardware Used

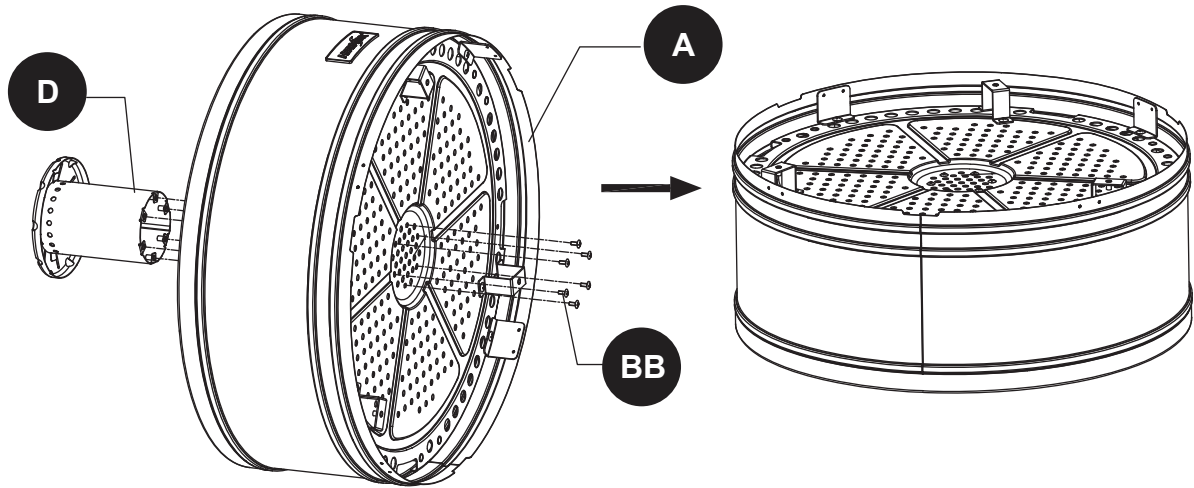
**CC** M6 Stepped Screw  x 6

# ASSEMBLY INSTRUCTIONS

## Step 3

Attach the inner tube (D) to the fire bowl (A) with (6) M4 x 10 screws (BB) as illustrated. Then place the bottom of fire bowl upward.

Note: The inner tube installation is optional. This step can be ignored, see instructions on page 8.

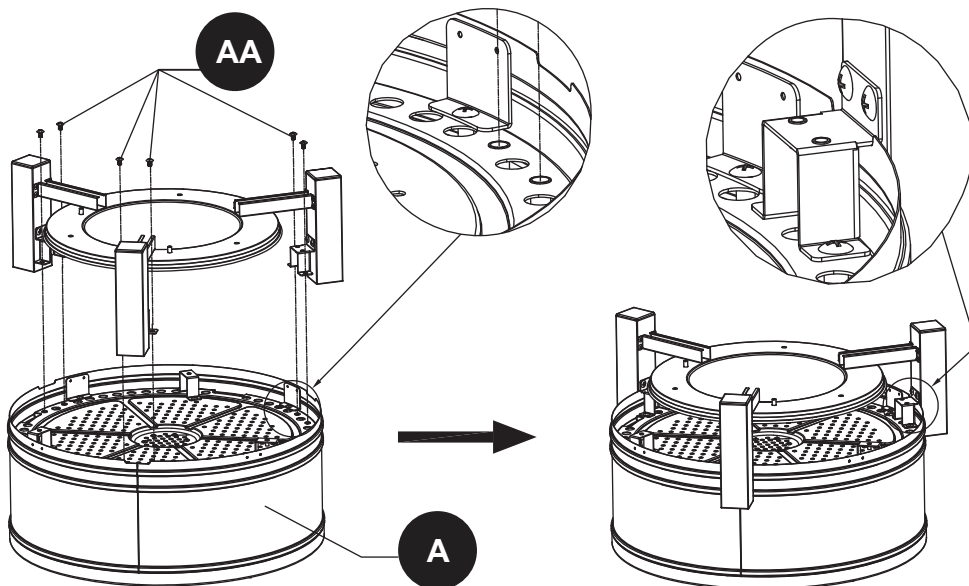


### Hardware Used

BB M4 x 10 Screw  x6

## Step 4

Attach the leg assembly to the bottom of fire bowl (A) with (6) M6 x 10 screws (AA) as illustrated.



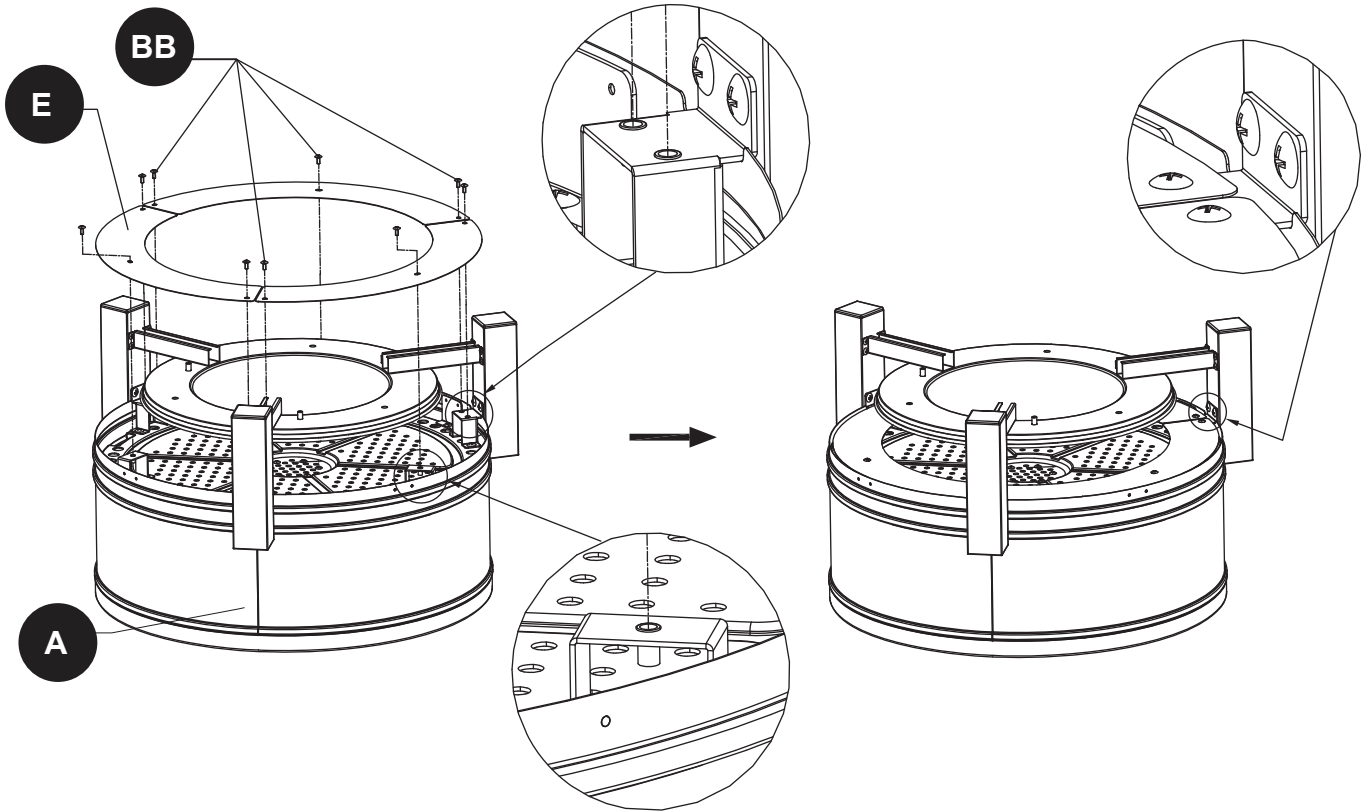
### Hardware Used

AA M6 x 10 Screw  x6

# ASSEMBLY INSTRUCTIONS

## Step 5

Attach the baffles (E) to the bottom of fire bowl (A) with (9) M4 x 10 screws (BB) as illustrated.



### Hardware Used

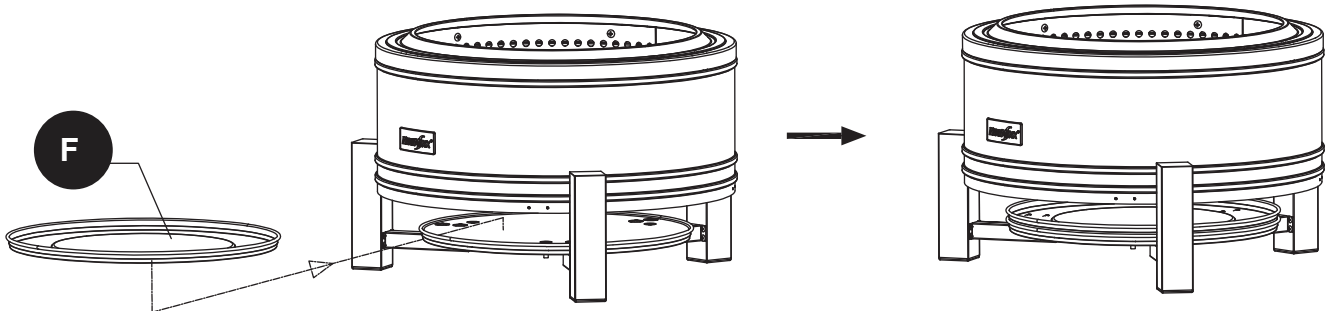
BB M4 x 10 Screw



x9

## Step 6

Place the ash tray (F) onto the heat insulated plate (B) as illustrated.



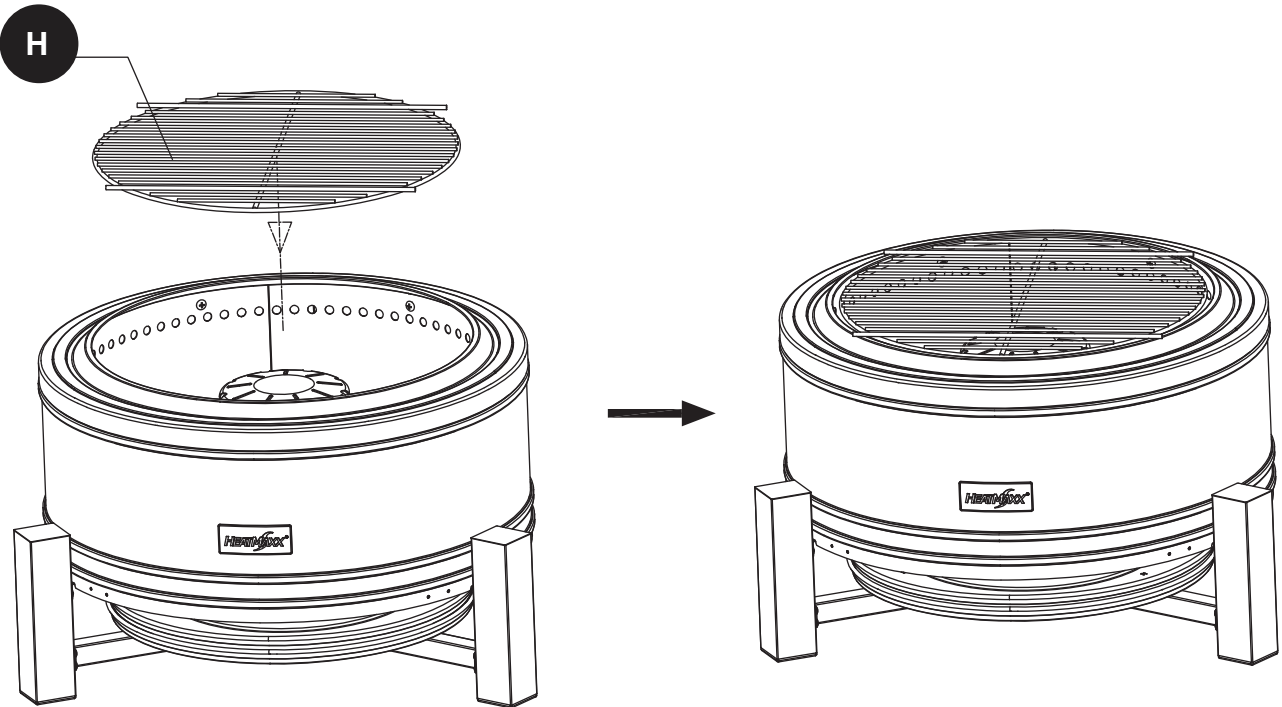
---

# ASSEMBLY INSTRUCTIONS

---

## Step 7

Place the cooking grid (H) onto the firebowl as illustrated.



---

# PRODUCT USE OR INSTRUCTIONS

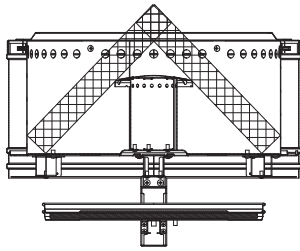
---

## Lighting

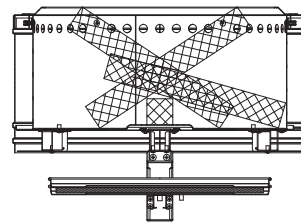
### Using firewood

1. Make sure there is no ash in the bottom of fire bowl.
2. Start by placing dry kindling and small wood pieces in the fire bowl.
3. Use a match to light kindling or small wood pieces.
4. As the ember bed gets hotter, start adding in 1-3 pieces of wood.  
As those catch, add enough wood to fill the fire bowl.

### Firewood placement #1

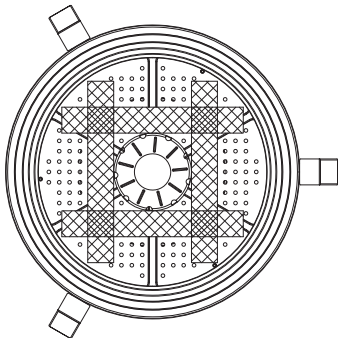


Inner tube installed

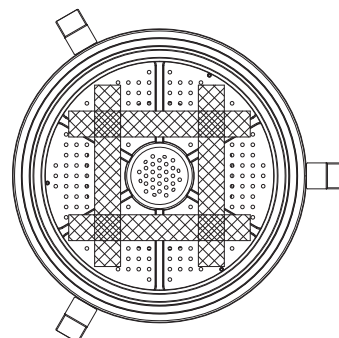


Inner tube not installed

### Firewood placement #2



Inner tube installed



Inner tube not installed

### Using wood pellets

1. Make sure there is no ash in the bottom of fire bowl.
2. Place 100% natural hardwood pellets in the fire bowl, and put kindling or a natural fire starter on to the pellets.  
Note: Do not overfill with pellets that covers or extends above the top air holes.

**Max usage: 33 LB, Min usage: 11 LB**

3. Ignite the kindling or fire starter to allow the fire to start.
4. If you need to add pellets, it is recommended to add near the end of fire burning, and add pellets by batches, each time 1.1 ~ 2.2 lbs is appropriate.



## Extinguishing

1. Allow fire to burn itself out.
2. DO NOT use water to extinguish as this is dangerous and can cause damage to this outdoor fire pit.

### Inspecting

This fire pit should be inspected on a regular basis to ensure product safety and longer product life. DO NOT attempt to inspect this fire pit until the fire is COMPLETELY out and cool to the touch.

1. Check components for any signs of damage or rust.
2. If damage to any component is detected, DO NOT operate until repairs are executed.

### Cleaning

This fire pit should be cleaned on a regular basis to promote safer experiences and longer product life.

Note: After repeated use, a slight discoloration of the finish may occur.

DO NOT attempt to clean this fire pit until the fire is COMPLETELY out and cool to the touch.

DO NOT use oven cleaner or abrasive cleaners as they will damage this product.

DO NOT clean any part of this fire pit in a self cleaning oven as it may damage the finish.

1. Wipe exterior surfaces with a mild dishwashing detergent or baking soda.
2. For stubborn surfaces use a citrus based degreaser and a nylon scrubbing brush.
3. Rinse and clean with water.
4. Remove built-up creosote from components with a chimney cleaning product.

### Storage

DO NOT move or store this fire pit until the fire is COMPLETELY out and cool to the touch.

1. Once the fire is out, coals or pellets are cold and fire pit is cool to the touch, remove ashes and properly dispose.
2. Store the fire pit in a dry location to maximize product life.
3. Store assembled in a location away from children and pets.

Due to extremely high temperatures during burning, discoloration of the fire pit will occur and this is considered normal. Stainless steel has better resistance to rust, however, it is not rust-proof. Prolonged exposure to moisture may result in staining and/or rusting.

Due to extremely high temperatures inside when use, the fire pit may show signs of staining and / or rust. This is normal and will not affect normal use or functions.



---

## WARRANTY INFORMATION

---

### 1-YEAR LIMITED WARRANTY

This appliance has been manufactured under the highest standards of quality and workmanship. Shinerich Industrial Ltd warrants, to the original consumer/purchaser, that all aspects of this product will be free of defects in material and workmanship for one (1) year from the date of purchase shown on the purchaser's receipt. Please retain your sales receipt as proof of purchase might be required or requested. This limited warranty shall be limited to the replacement of parts, which prove defective under normal use and service and which Shinerich Industrial determines, at their reasonable discretion, to be defective. A replacement for any defective part will be supplied free of charge for installation by the consumer.

This limited warranty does not cover defects or damage caused by over-heating, modification, abuse, improper use, installation, storage or maintenance. The limited warranty also does not cover damage due to shipment or poor handling. Shinerich Industrial Ltd will not be responsible for labor charges and/or damage incurred in installation, repair or replacement, nor for incidental or consequential damage. This limited warranty also does not cover damage or defect caused by failure to perform routine maintenance, as described within the assembly/instruction manual. In addition, the limited warranty does not cover damage to the finish, such as scratches, dents, discoloration, rust or other weather damage, after purchase.

Shinerich Industrial is not responsible for local codes nor if any of our products are not approved for installation. Please check with your local building department or governing agencies for proper approvals before purchasing/installing. Shinerich Industrial Ltd is not responsible for the actions including negligence of the installer.

This warranty specifically excludes liability for indirect, incidental, or consequential damages. Some states do not allow the exclusions or limitation of incidental or consequential damages; so the above exclusion may not apply to you. This warranty gives you specific legal rights, and you may have other rights that vary from state to state.



Need help?

Call our toll free number

**1-888-909-3888**

or email

**[customerservice@shinerich.us](mailto:customerservice@shinerich.us)**