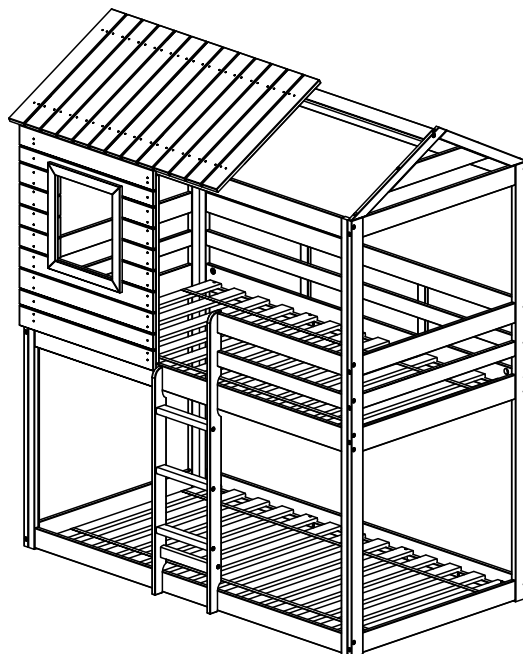


# ASSEMBLY INSTRUCTIONS

## 1370-TWIN TWIN DEER BLIND BUNK BED

Thank you for purchasing this quality product. Be sure to check all packing materials carefully for small parts which may have come loose inside the carton during shipment. Separate, identify and count all parts and hardware. Compare with the parts list to be sure all parts are present.



**“DO NOT TIGHTEN SCREWS  
UNTIL COMPLETELY ASSEMBLED”**

### **SIZE OF MATTRESS AND FOUNDATION (SUPPORT)**

This bed is designed to use a twin mattress (37½”-38½”x74-75”) and bunkie board (37½”x74”). The total thickness must not exceed **9”** inches. Do not use mattress without the proper bunkie board of safe foundation.

**Note:** There must be at least **5”** inches from top surface of mattress to top edge or guardrails.

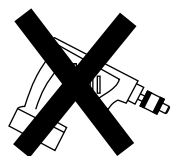
### **REPLACEMENT PARTS.**

Replacement parts, including additional guardrails, may be obtained from place of purchase or original distributor.

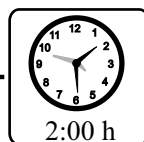
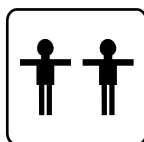
TO OBTAIN PARTS, PLEASE CONTACT: **DONCO TRADING COMPANY - FORT WORTH, TEXAS**

## **SAFETY WARNINGS!**

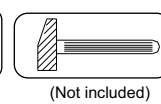
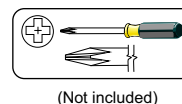
- 1- Follow the information on the warning label appearing on the upper bunk end structure and on the carton. Do not remove warning label from bed.
- 2- Always use the recommended size mattress or mattress support, or both, to help prevent the likelihood of entrapment or falls.
- 3- Surface of mattress must be at least 5 inches below the upper edge of guardrails.
- 4- Do not allow children under 6 years of age to use the upper bunk.
- 5- Prohibit more than one person on upper bunk.
- 6- Periodically check and ensure that the guardrail, ladder and other components are in their proper position free from damage, and that all connectors are tight.
- 7- Do not allow horseplay on or under the bed and prohibit jumping on the bed.
- 8- Always use the ladder for entering and leaving the upper bunk.
- 9- Do not use substitute parts. Contact distributor or dealer for replacement parts.
- 10- Use of a night light may provide added safety precaution for a child using the upper bunk.
- 11- If the bunk bed will be placed next to a wall, the guardrail that runs the full length of the bed should be placed against the wall to prevent entrapment between the bed and the wall.
- 12- Always use guardrails on both long sides of the upper bunk.
- 13- The use of water or sleep flotation mattresses is prohibited.
- 14- Keep these instructions for future reference.
- 15- Strangulation Hazard - Never attach or hang items to any part of the bunk bed that are not designed for use with the bed: for example, but not limited to, hooks, belts, and jump ropes, etc.



**!**  
\* Use of power tool to assemble this product will invalidate any claim and damage this product making unsafe !!!  
\* Please assemble on a clean soft surface to avoid damage.



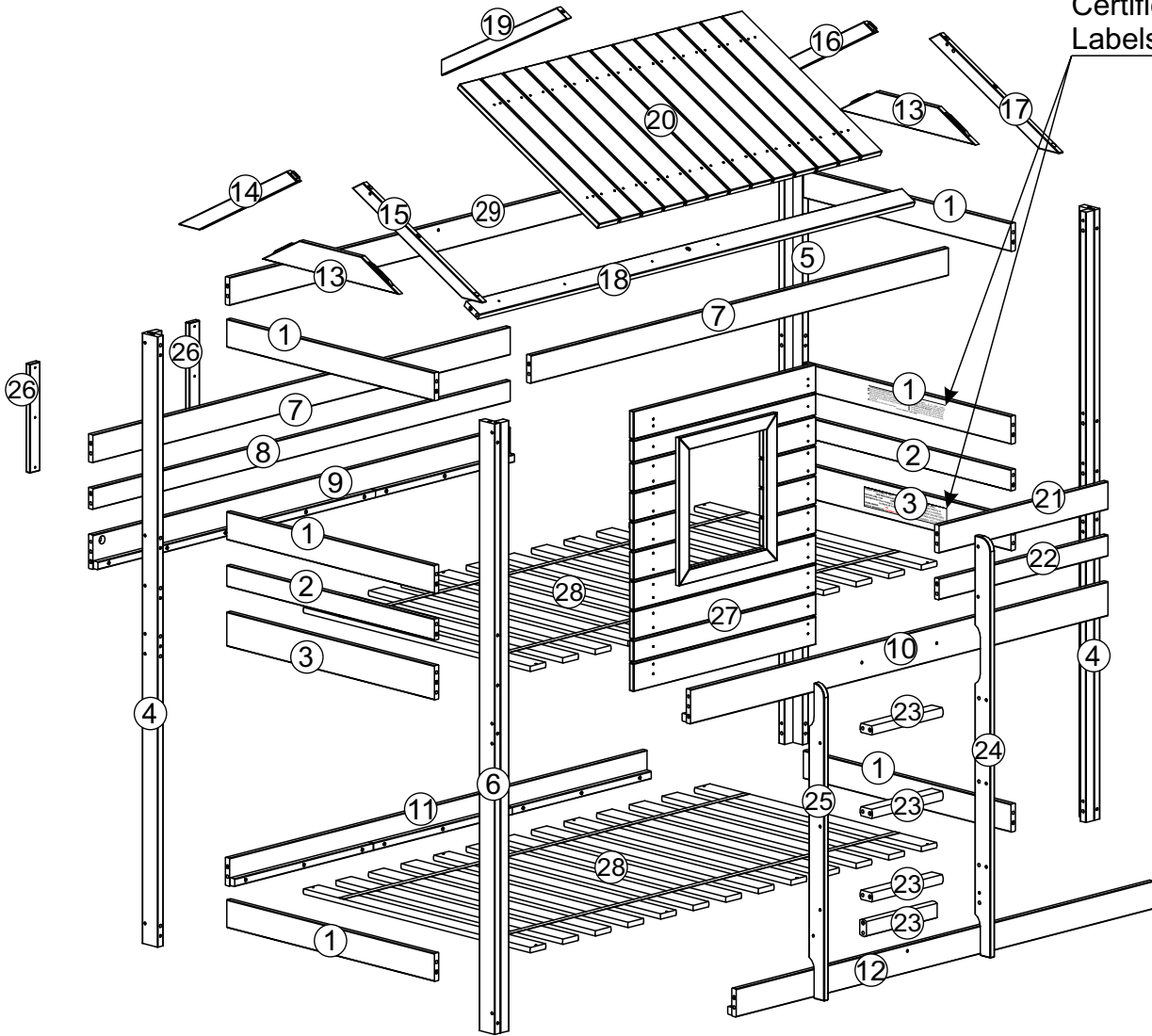
### **Tools Required**



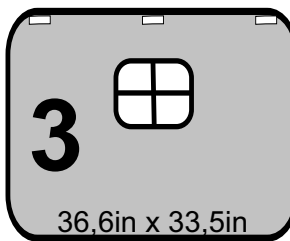
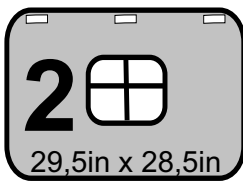
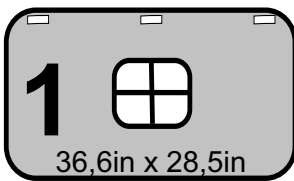
**IMPORTANT: PLEASE READ INSTRUCTIONS BEFORE STARTING THE ASSEMBLY**

# Part List - 1370 Twin Twin Deer Blind Bunk Bed

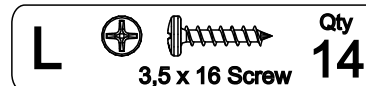
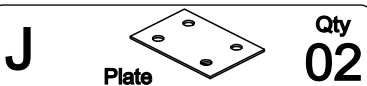
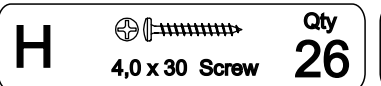
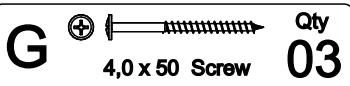
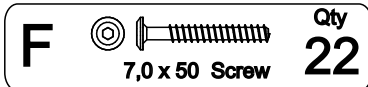
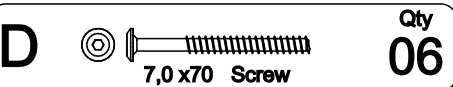
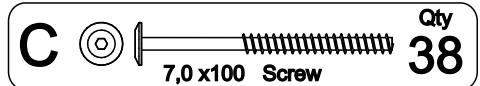
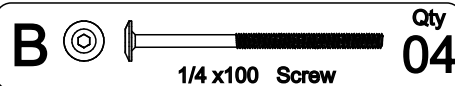
Warning,  
Certification  
Labels



## OPTIONAL TENTS - STEP 18

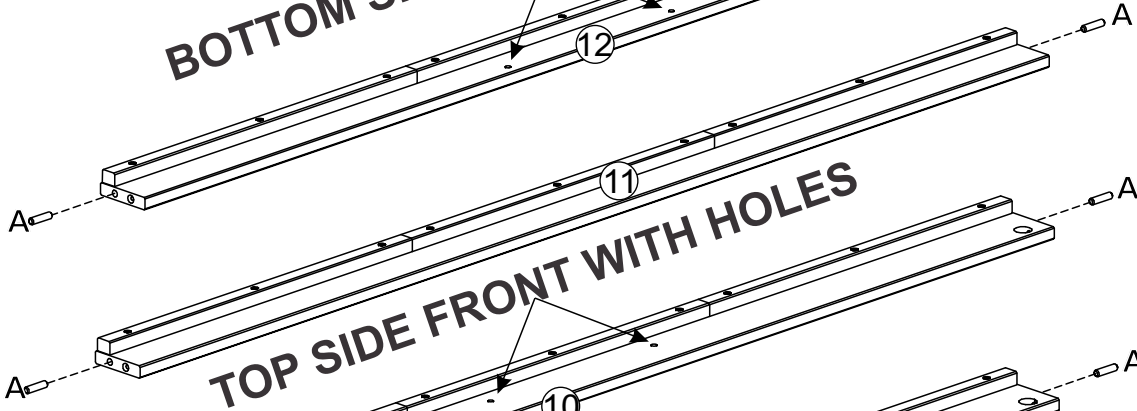
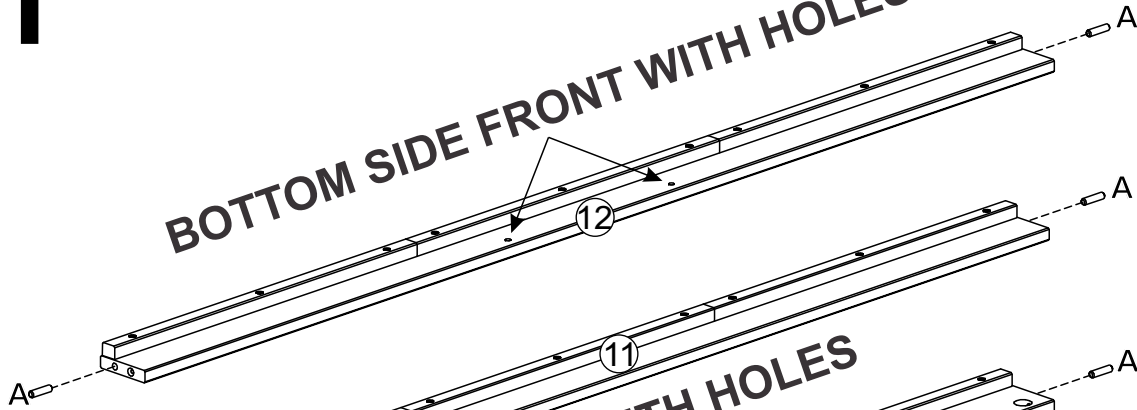


**Identifying the Hardware**-Identify the hardware using the illustrations below.

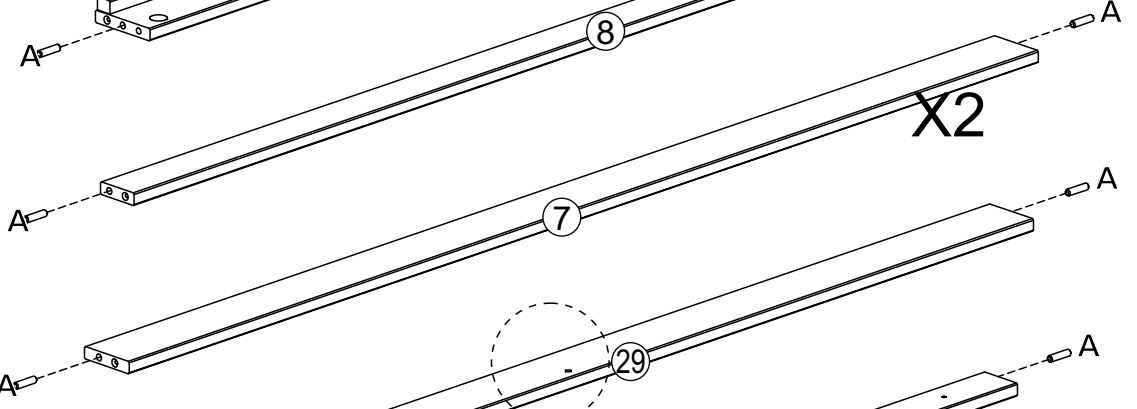
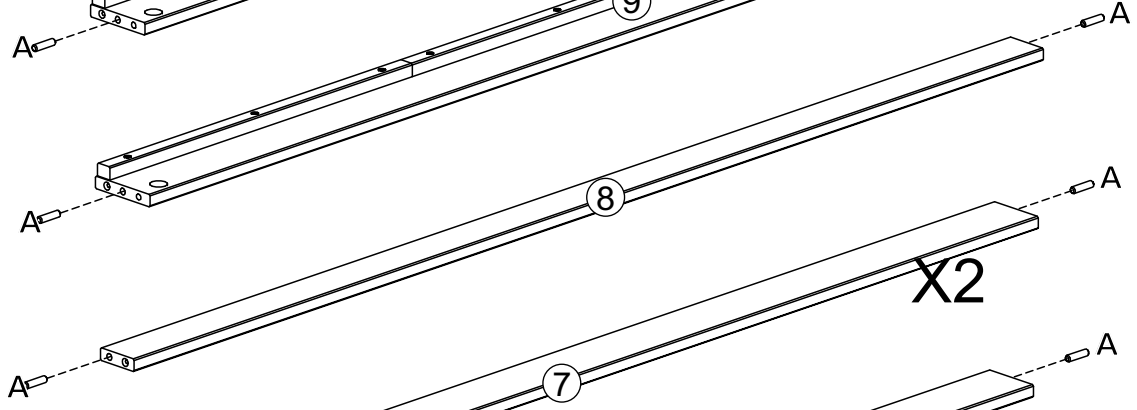
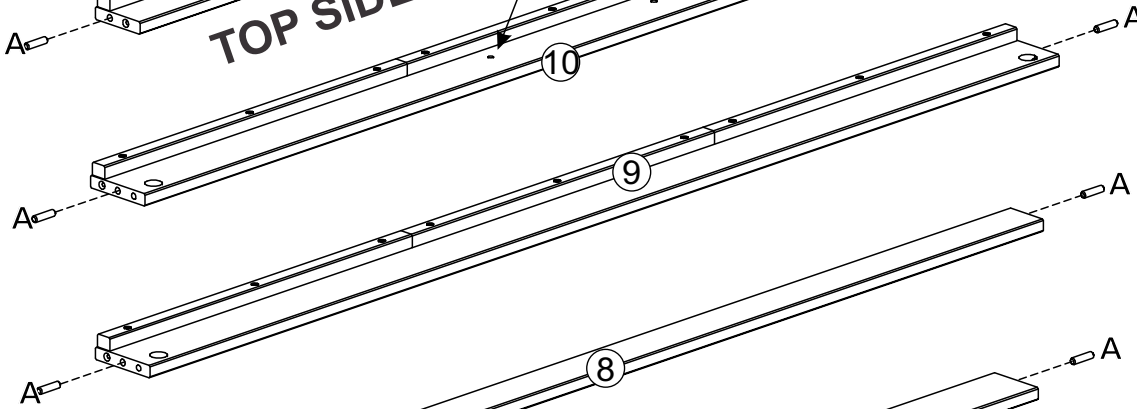
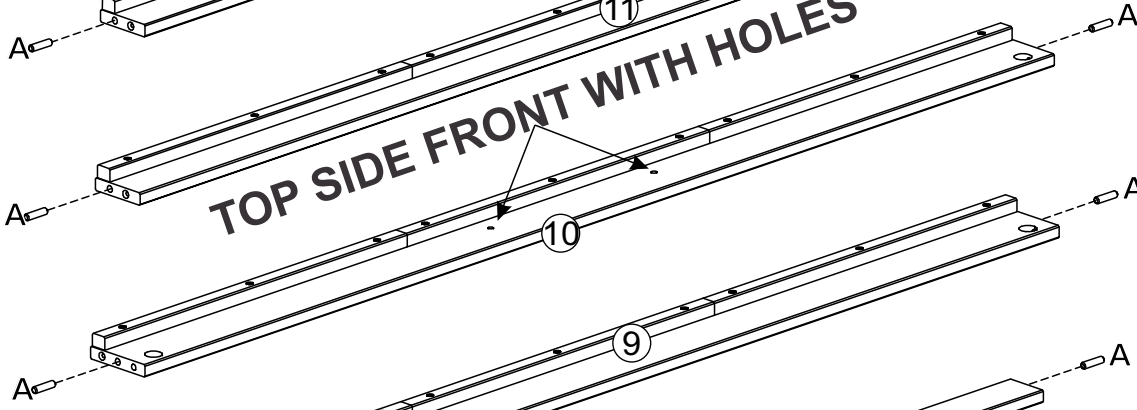


# 01

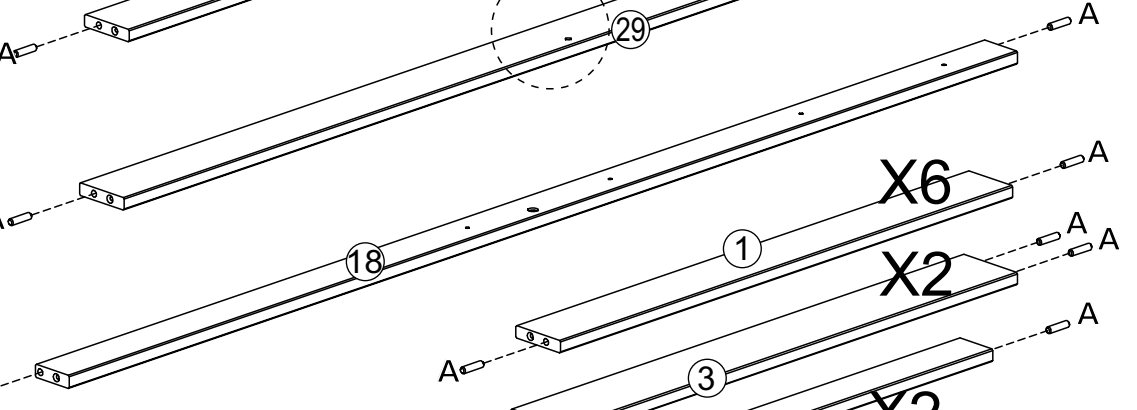
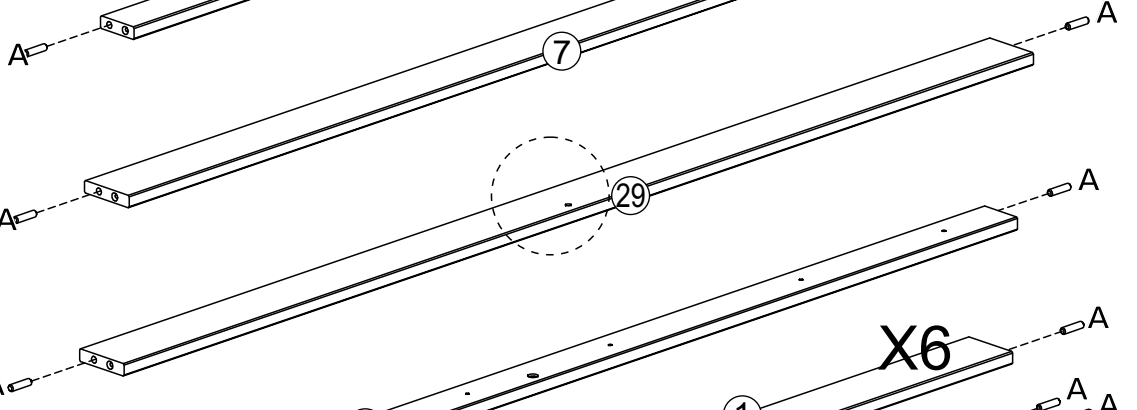
**BOTTOM SIDE FRONT WITH HOLES**



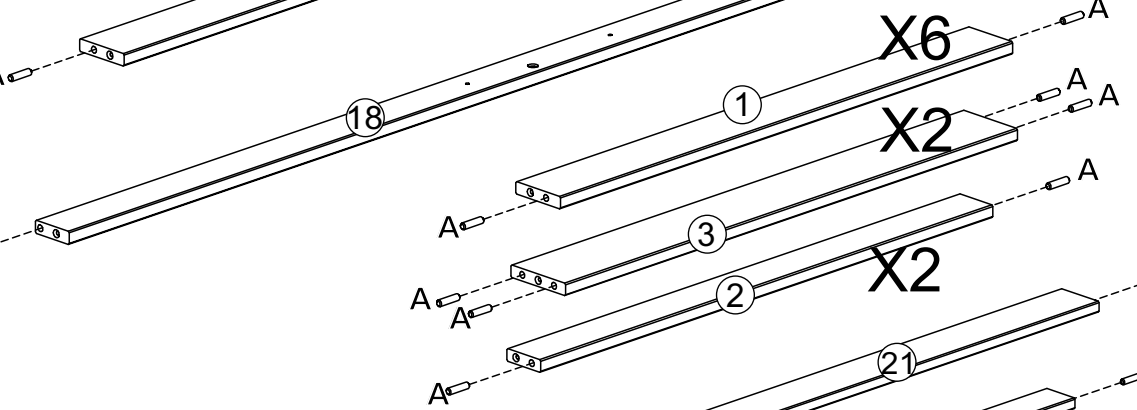
**TOP SIDE FRONT WITH HOLES**



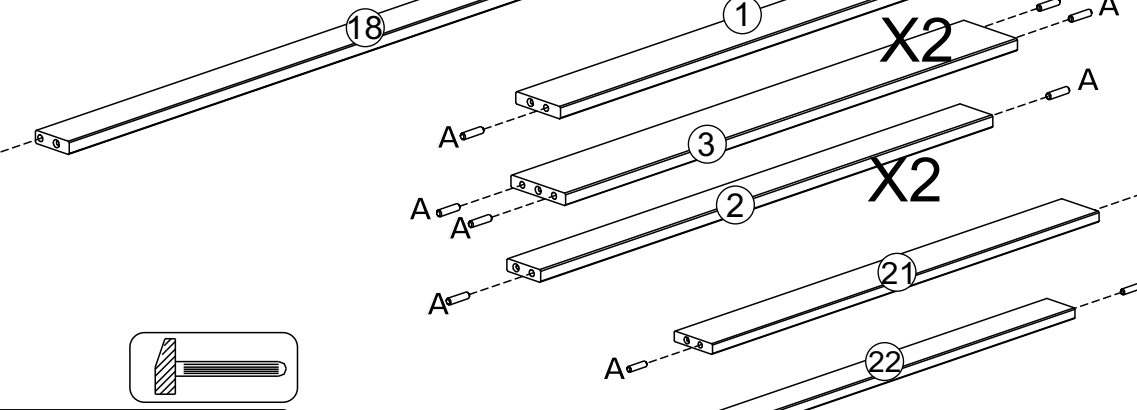
**X2**



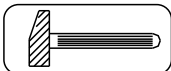
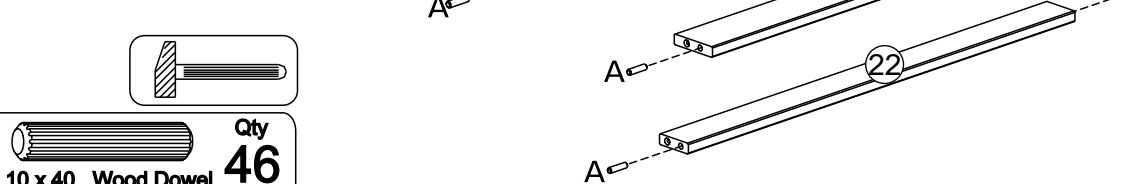
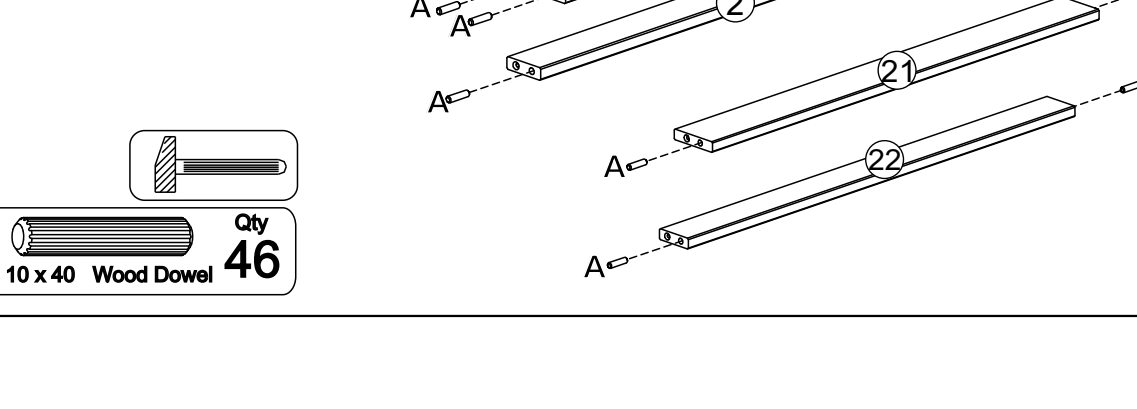
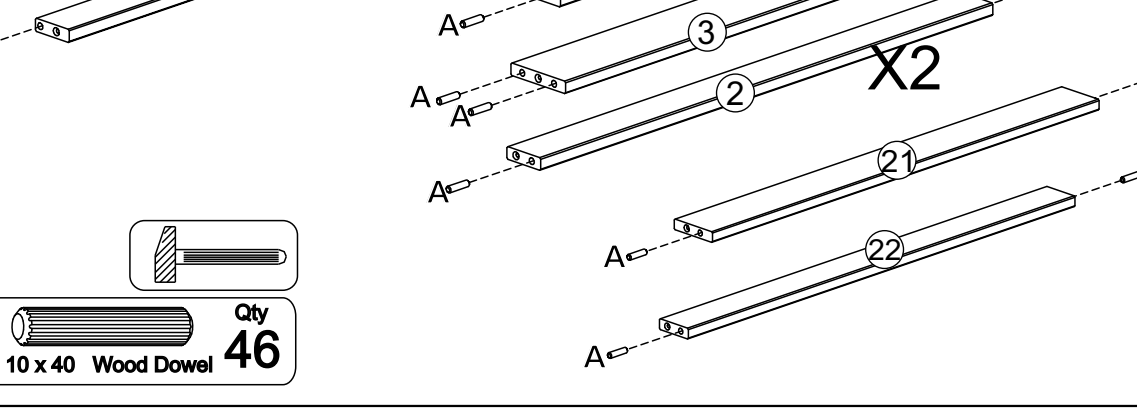
**X6**



**X2**



**X2**

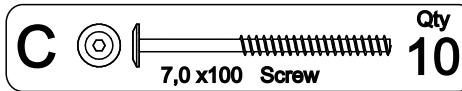
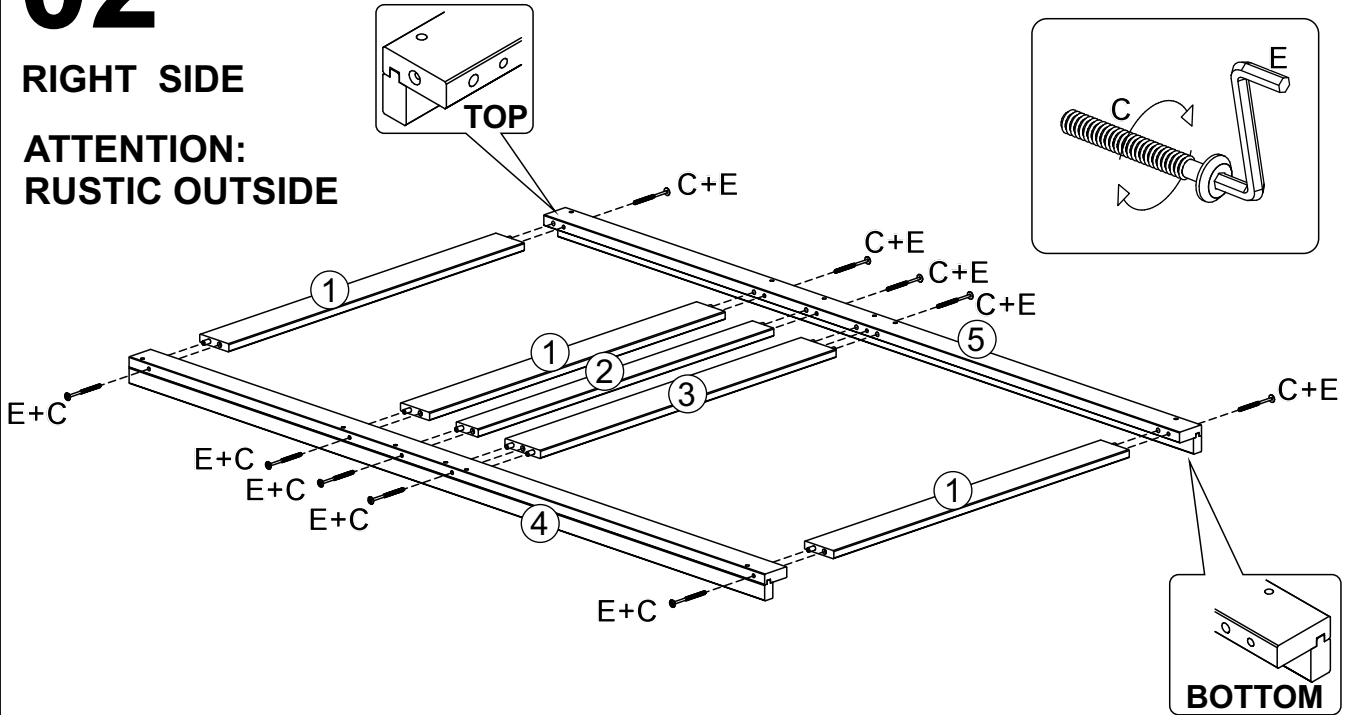


**A**  Qty **46**  
10 x 40 Wood Dowel

# 02

RIGHT SIDE

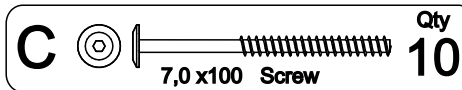
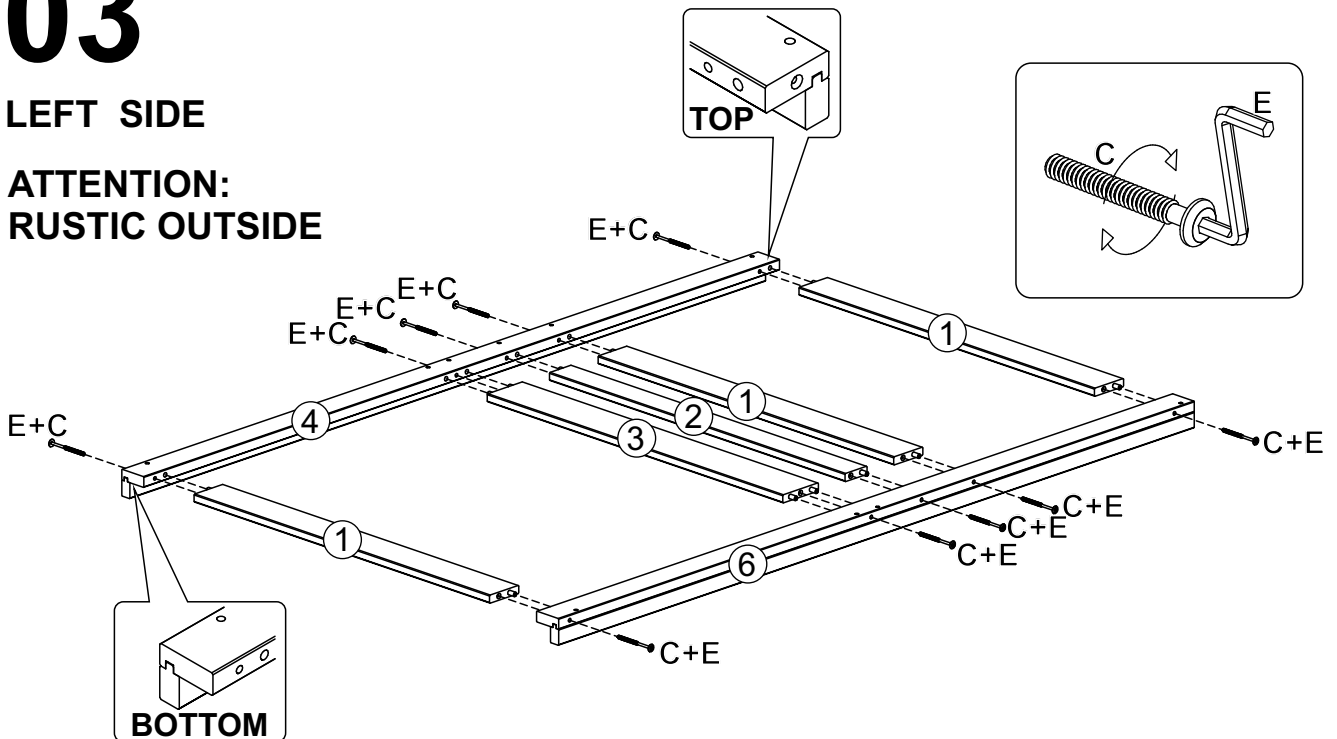
ATTENTION:  
RUSTIC OUTSIDE



# 03

LEFT SIDE

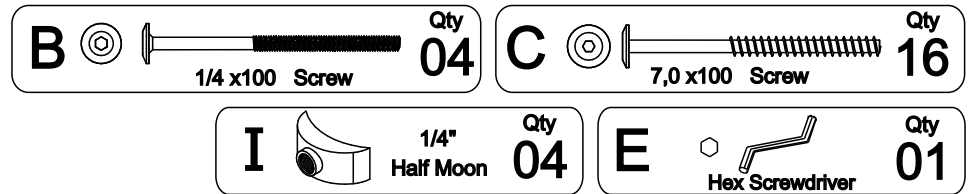
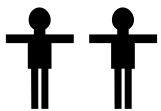
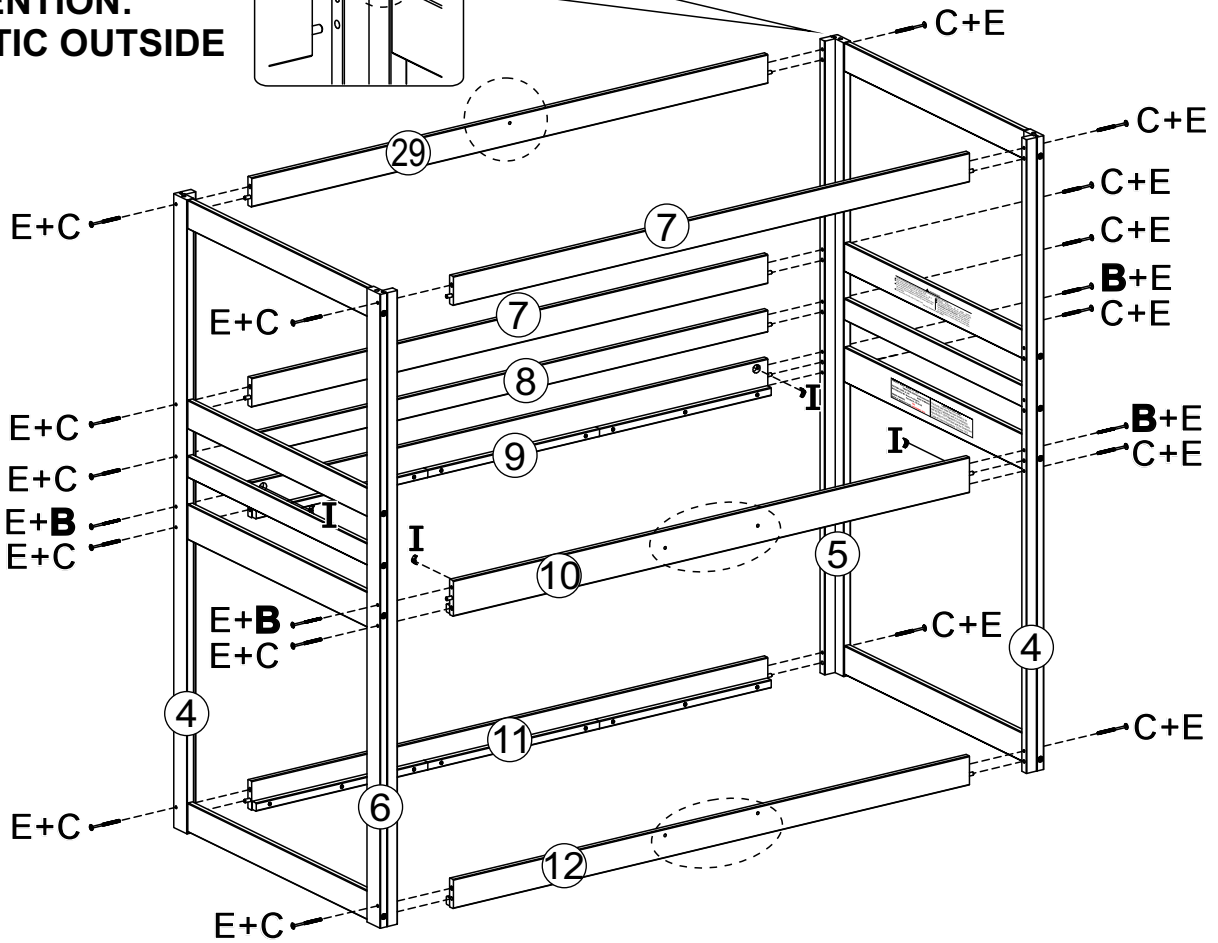
ATTENTION:  
RUSTIC OUTSIDE



# 04

THIS HOLE ON TOP

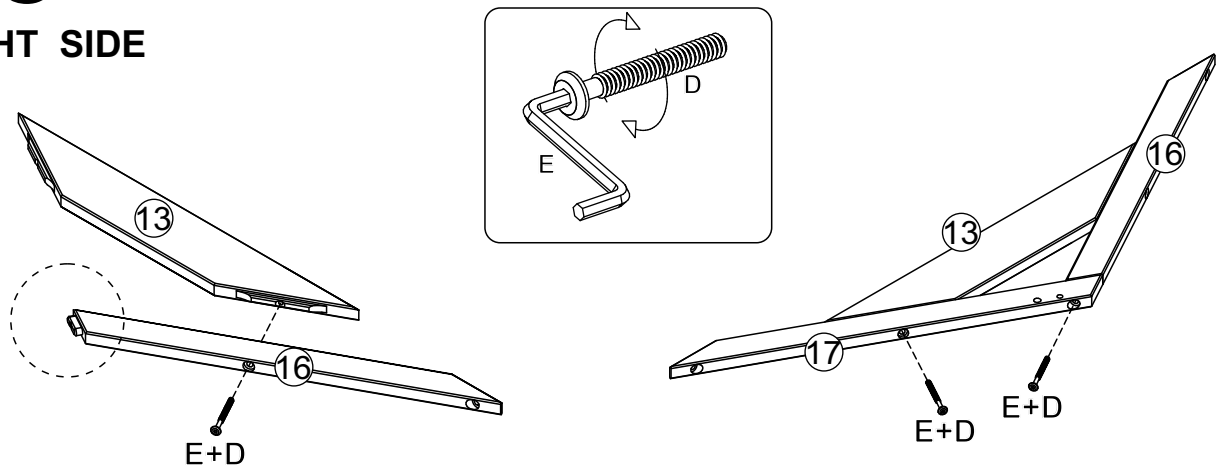
ATTENTION:  
RUSTIC OUTSIDE



# 05

ATTENTION:  
RUSTIC OUTSIDE

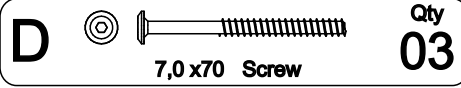
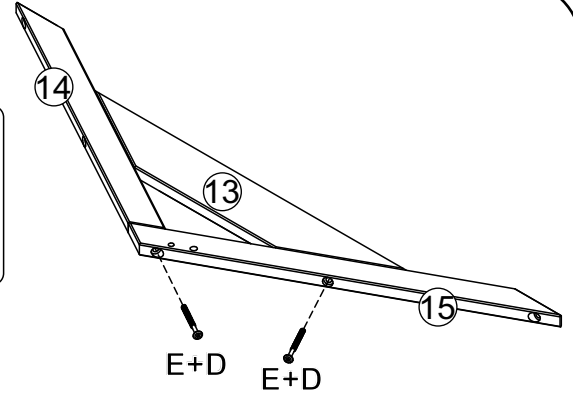
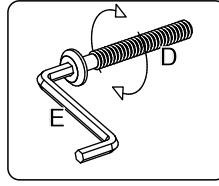
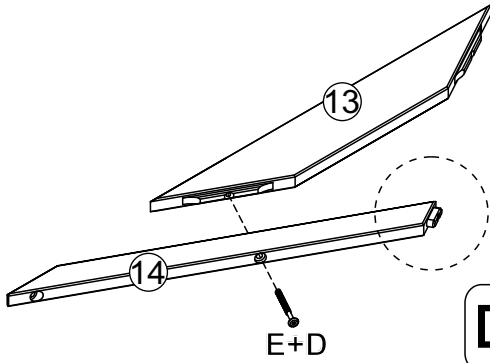
RIGHT SIDE



# 06

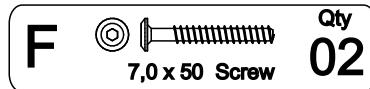
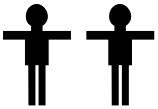
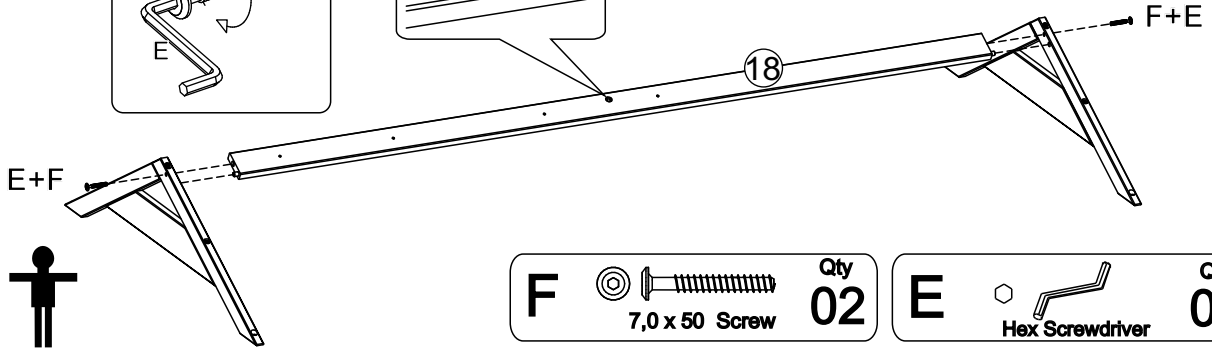
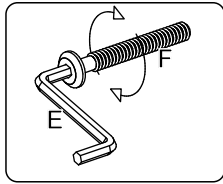
## ATTENTION: RUSTIC OUTSIDE

LEFT SIDE

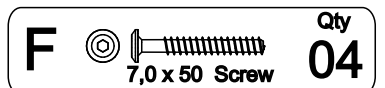
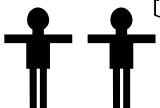
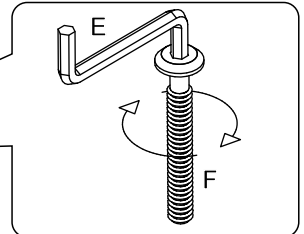
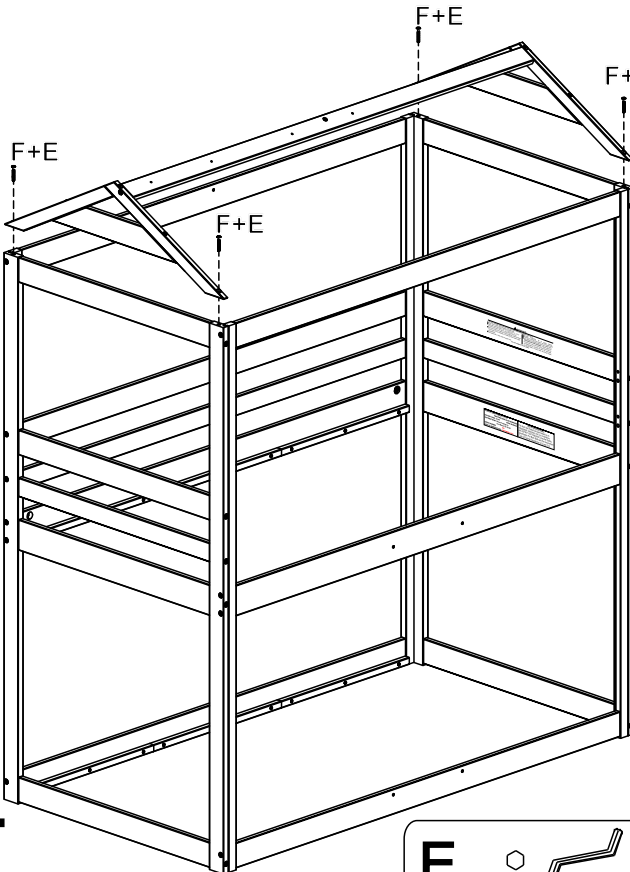


# 07

## ATTENTION: COUNTERSINK ON TOP

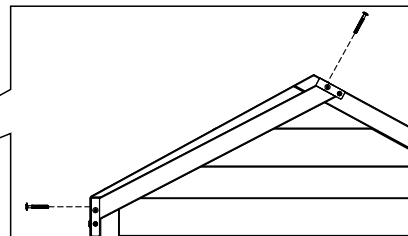
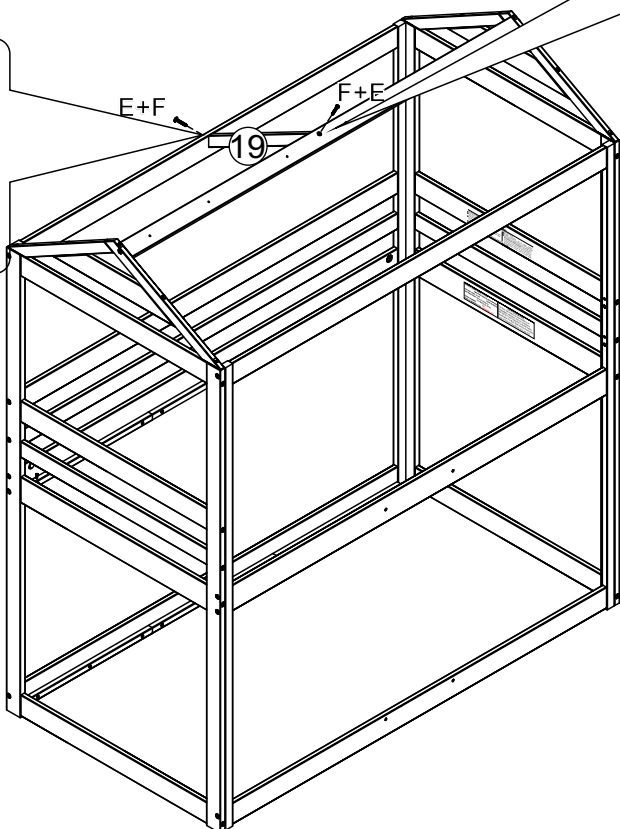
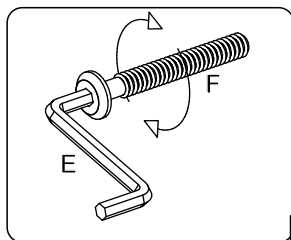


# 08





# 09



**Attention:**  
PLEASE USE A SAFETY STEP LADDER TO ASSEMBLY THE ROOF.

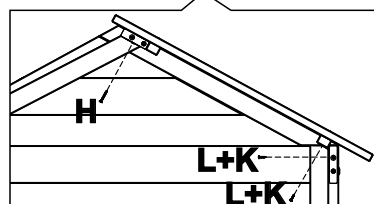
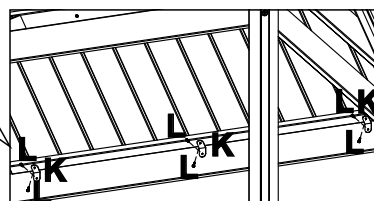
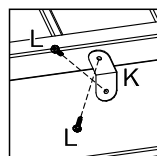
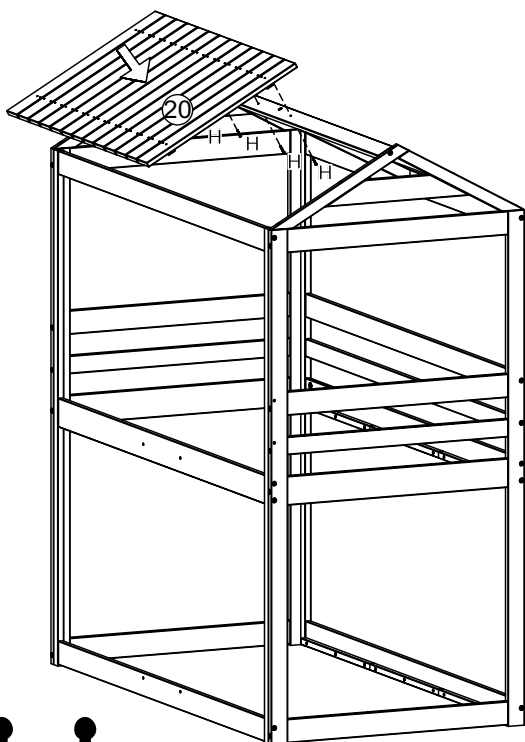
Not included

**F** Qty **02**  
7,0 x 50 Screw

**E** Qty **01**  
Hex Screwdriver

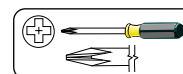
# 10

ROOF



**Attention:**  
PLEASE USE A SAFETY STEP LADDER TO ASSEMBLY THE ROOF.

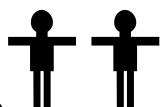
Not included



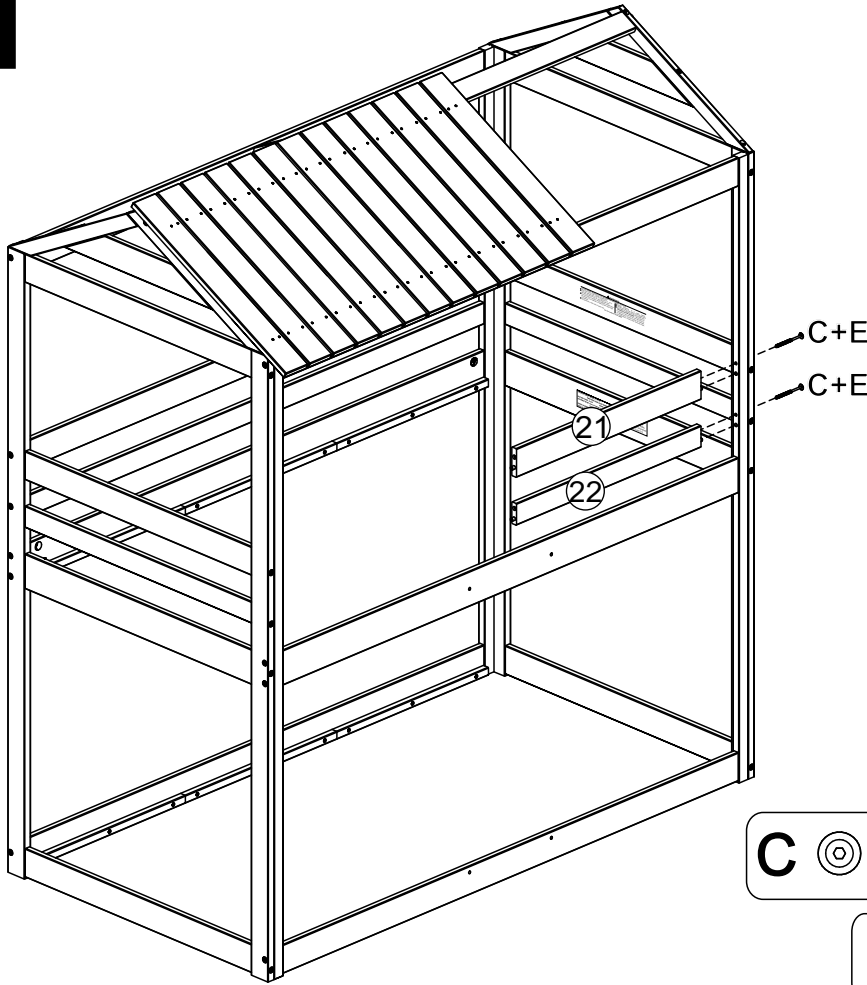
**H** Qty **04**  
4,0 x 30 Screw

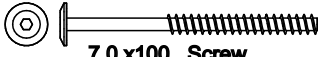
**K** Qty **03**  
Bracket

**L** Qty **06**  
3,5 x 16 Screw



# 11

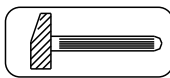
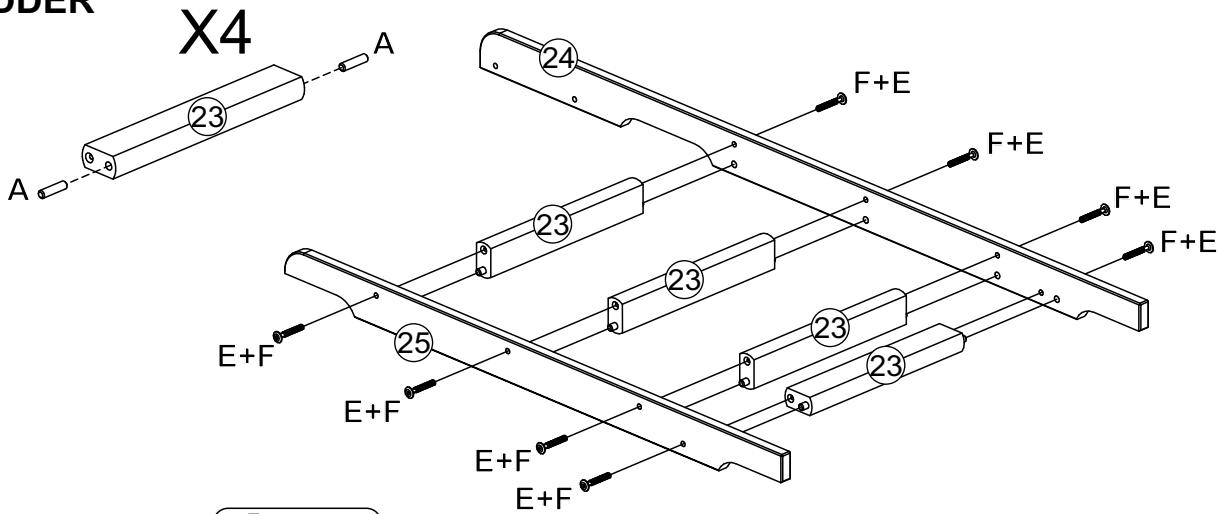



**C**  Qty **02**  
7,0 x 100 Screw

**E**  Qty **01**  
Hex Screwdriver

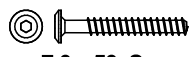
# 12

## LADDER



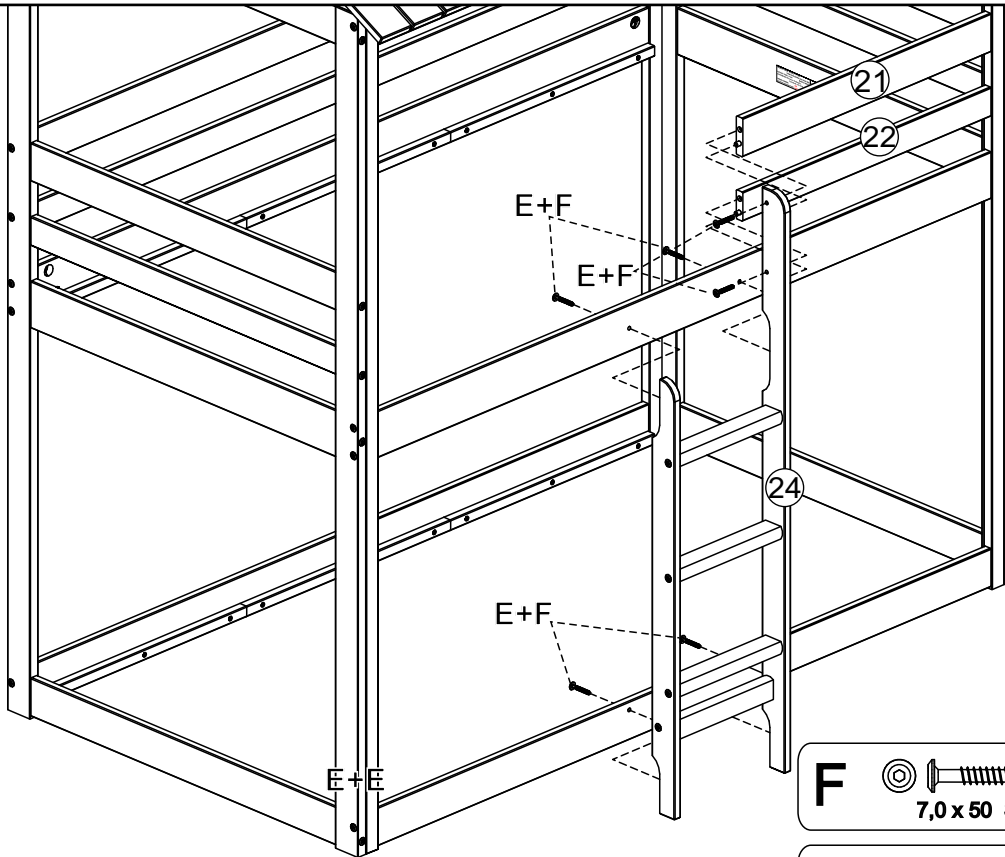
**A**  Qty **08**  
10 x 40 Wood Dowel

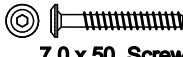
**E**  Qty **01**  
Hex Screwdriver

**F**  Qty **08**  
7,0 x 50 Screw



# 13

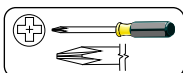
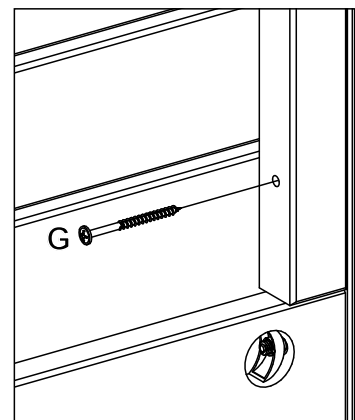
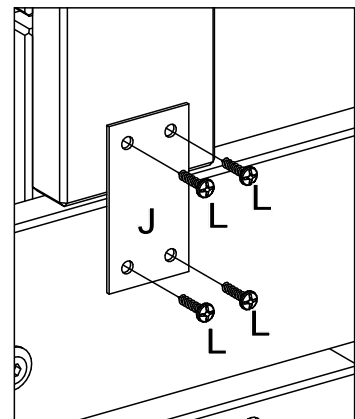
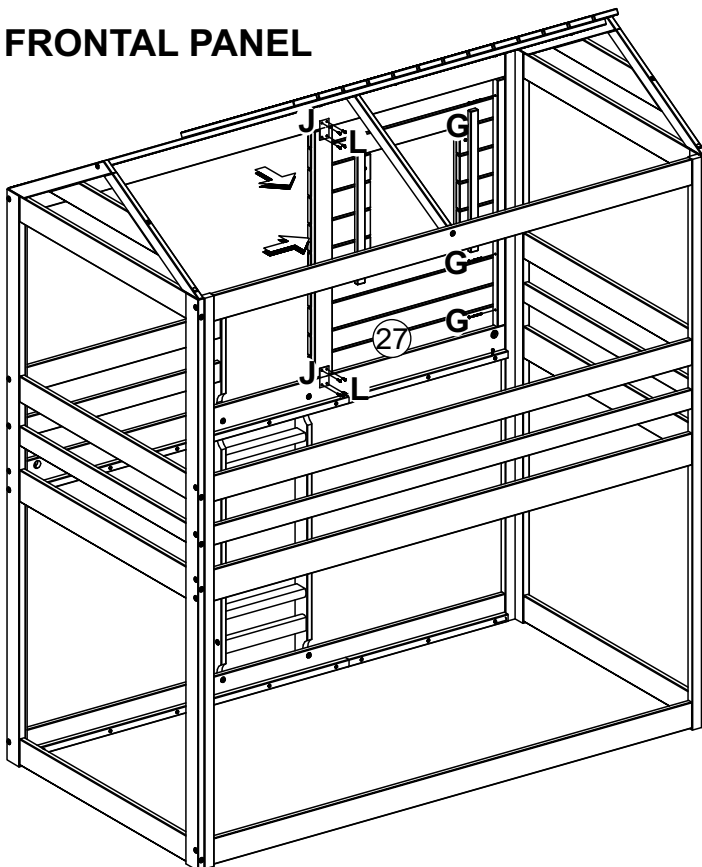
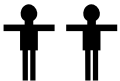


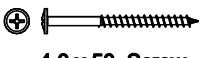
**F**  Qty **06**  
7,0 x 50 Screw


**E**  Qty **01**  
Hex Screwdriver


# 14

## FRONTAL PANEL

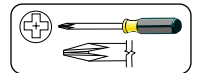
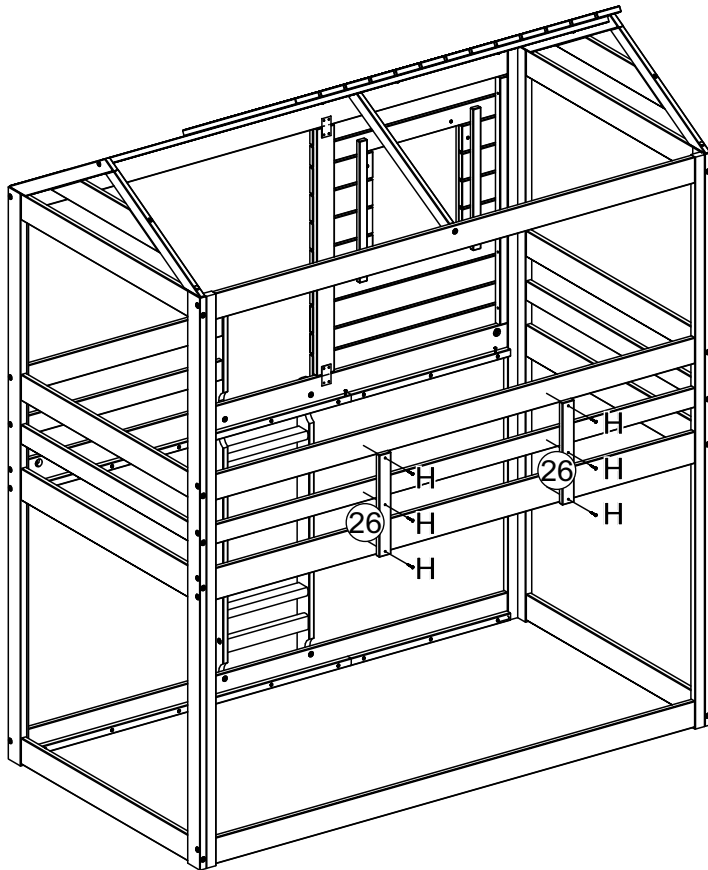



**G**  Qty **03**  
4,0 x 50 Screw

**J**  Qty **02**  
Plate

**L**  Qty **08**  
3,5 x 16 Screw

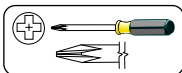
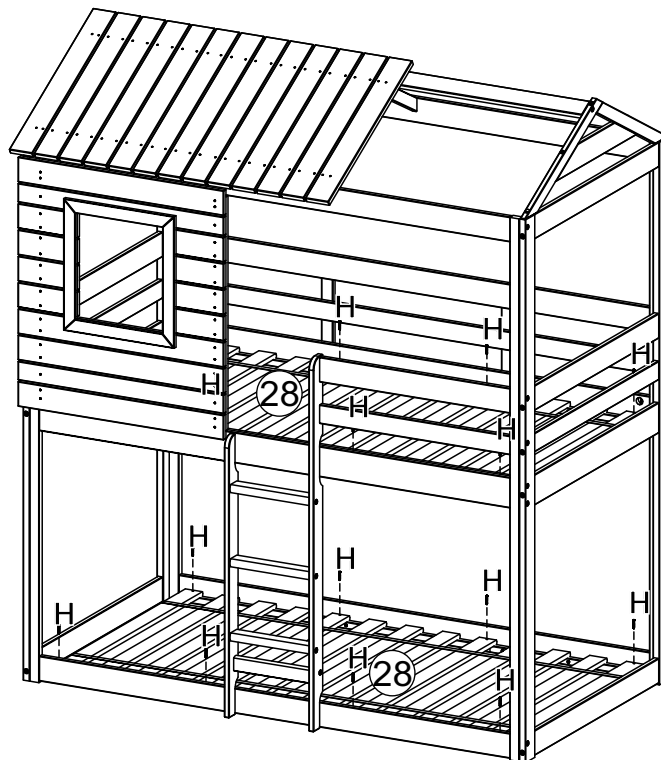
# 15

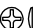


**H**  **4,0 x 30 Screw** Qty **06**

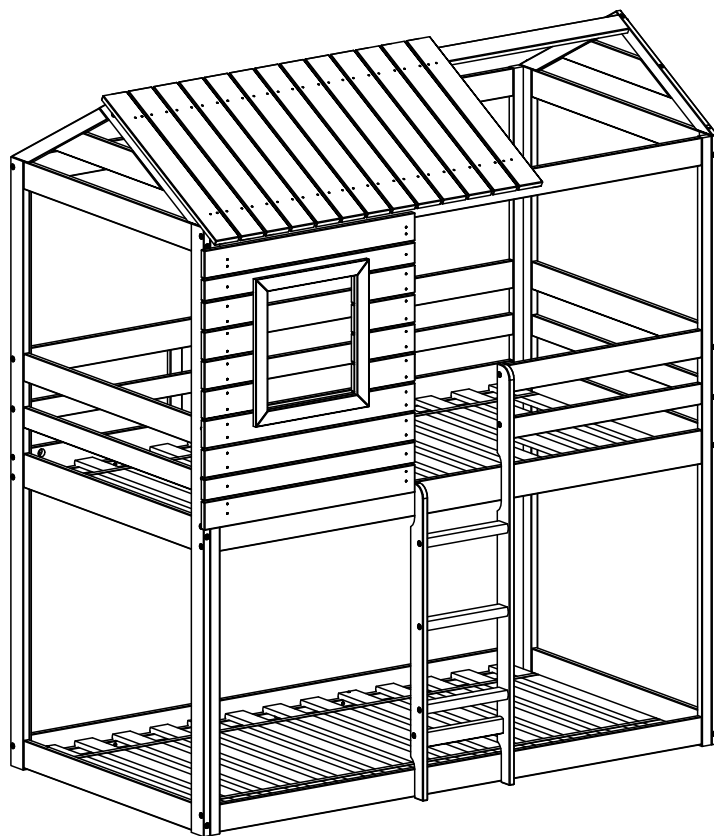
# 16

SLATS



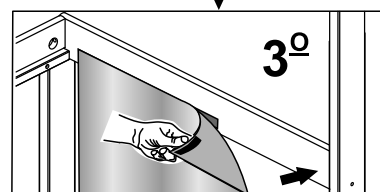
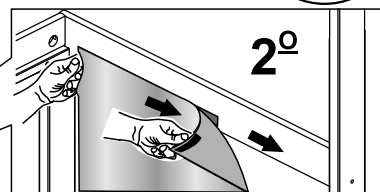
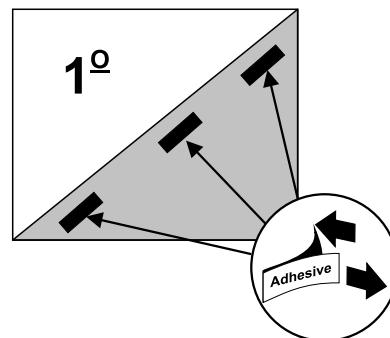
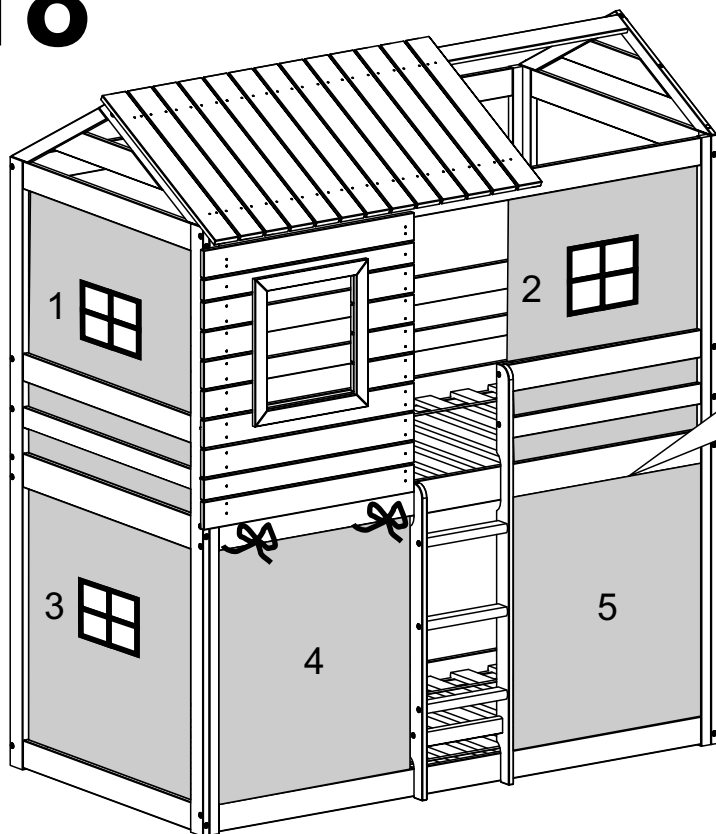
**H**  **4,0 x 30 Screw** Qty **16**

# 17



OPTION THE BUNK BED ONLY

# 18



### ATTENTION

Please remove the fine paper glued (Adhesived) on the velcro applied on the Tent. After this step, hold tight the Tent on both ends to fix on the crossbars and on front side rail like showing on instructions.

OPTION THE BUNK BED WITH TENT FABRIC