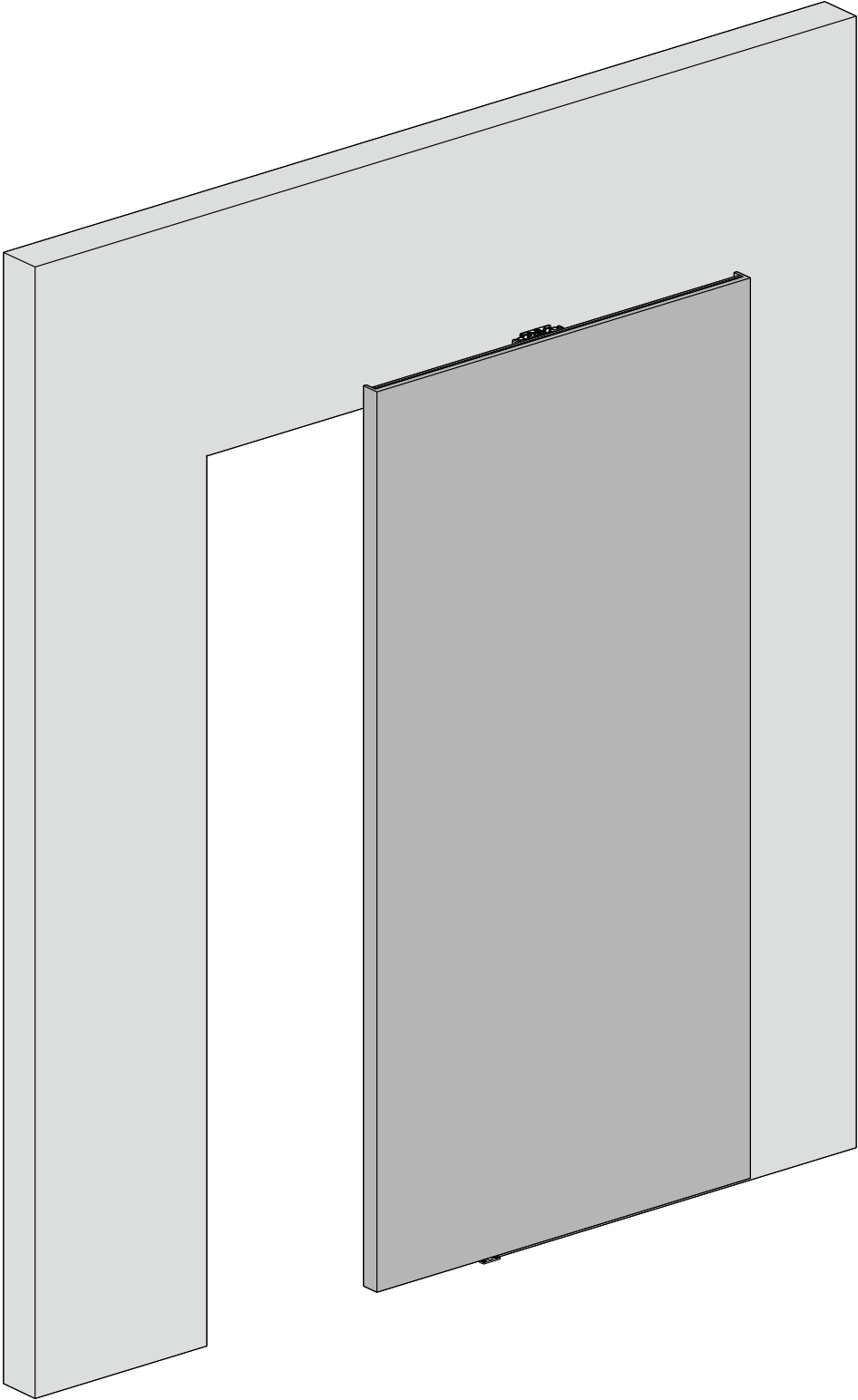
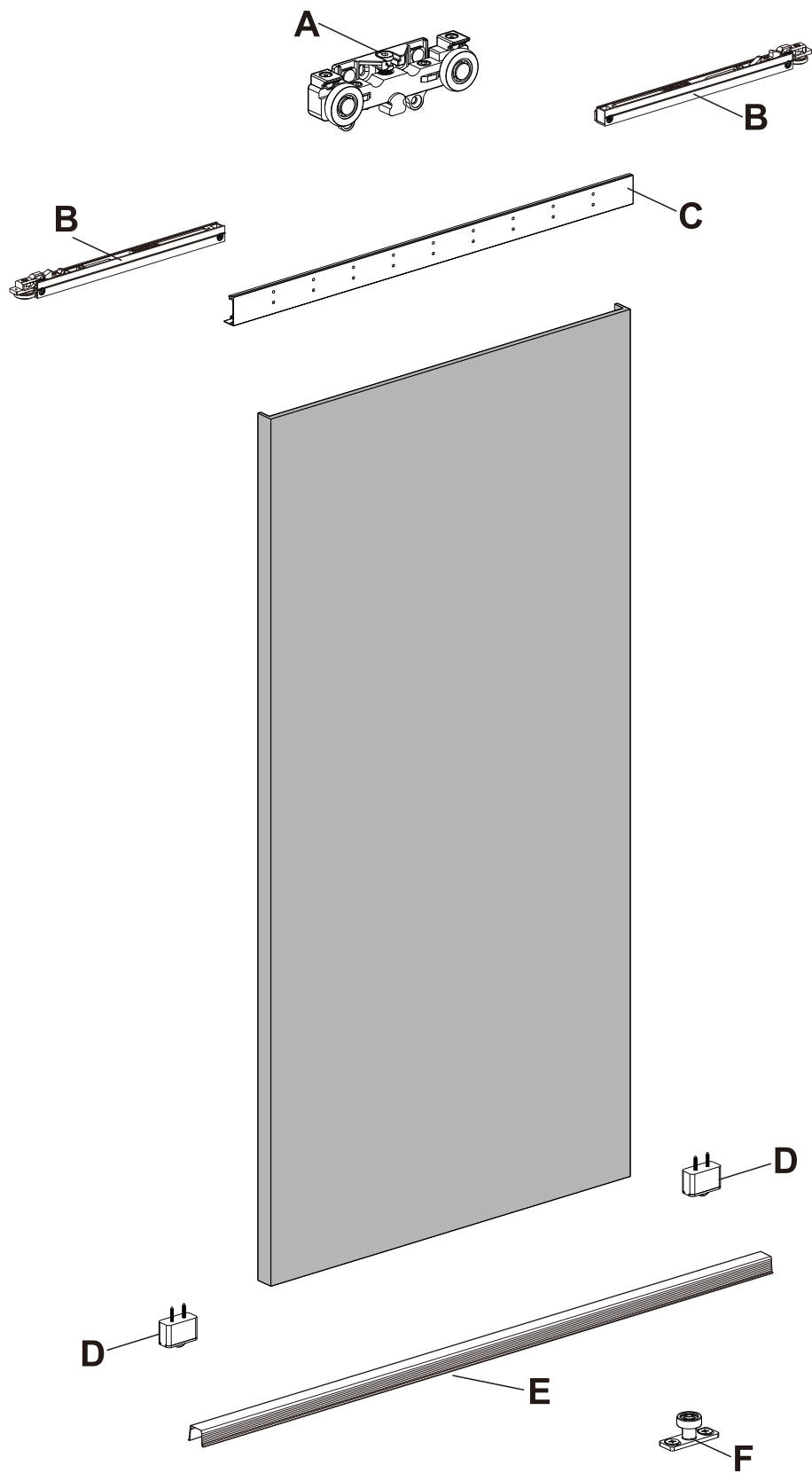




Installation Manual

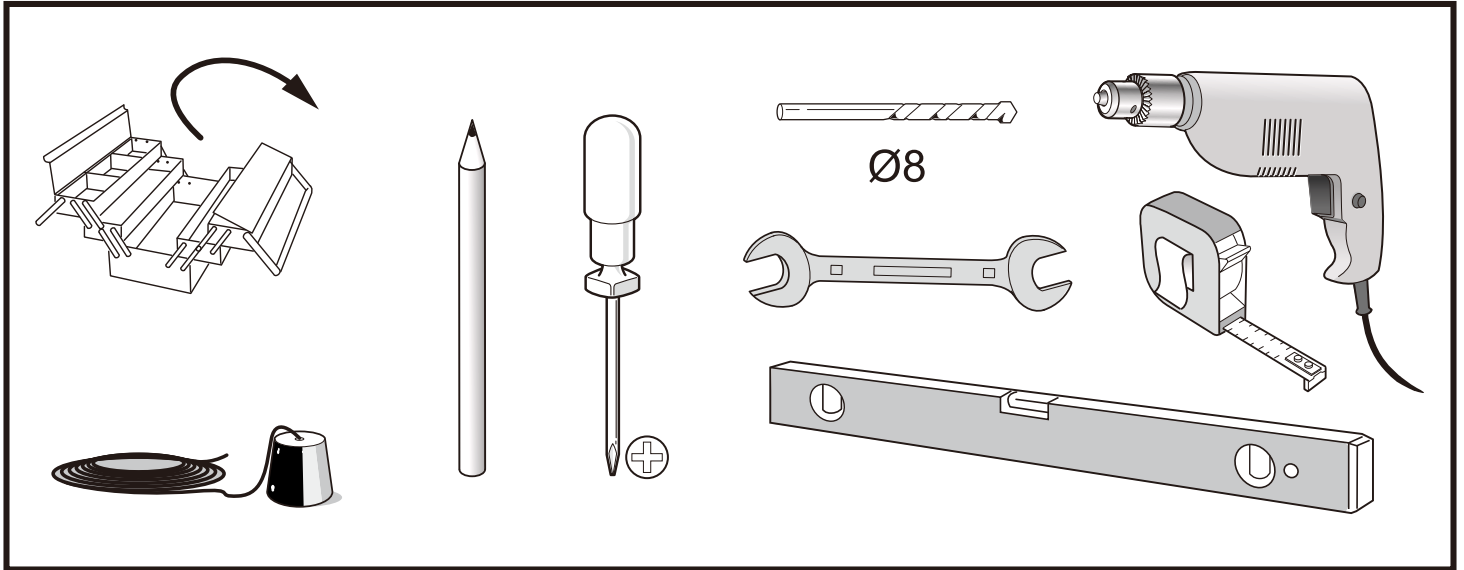


Components list

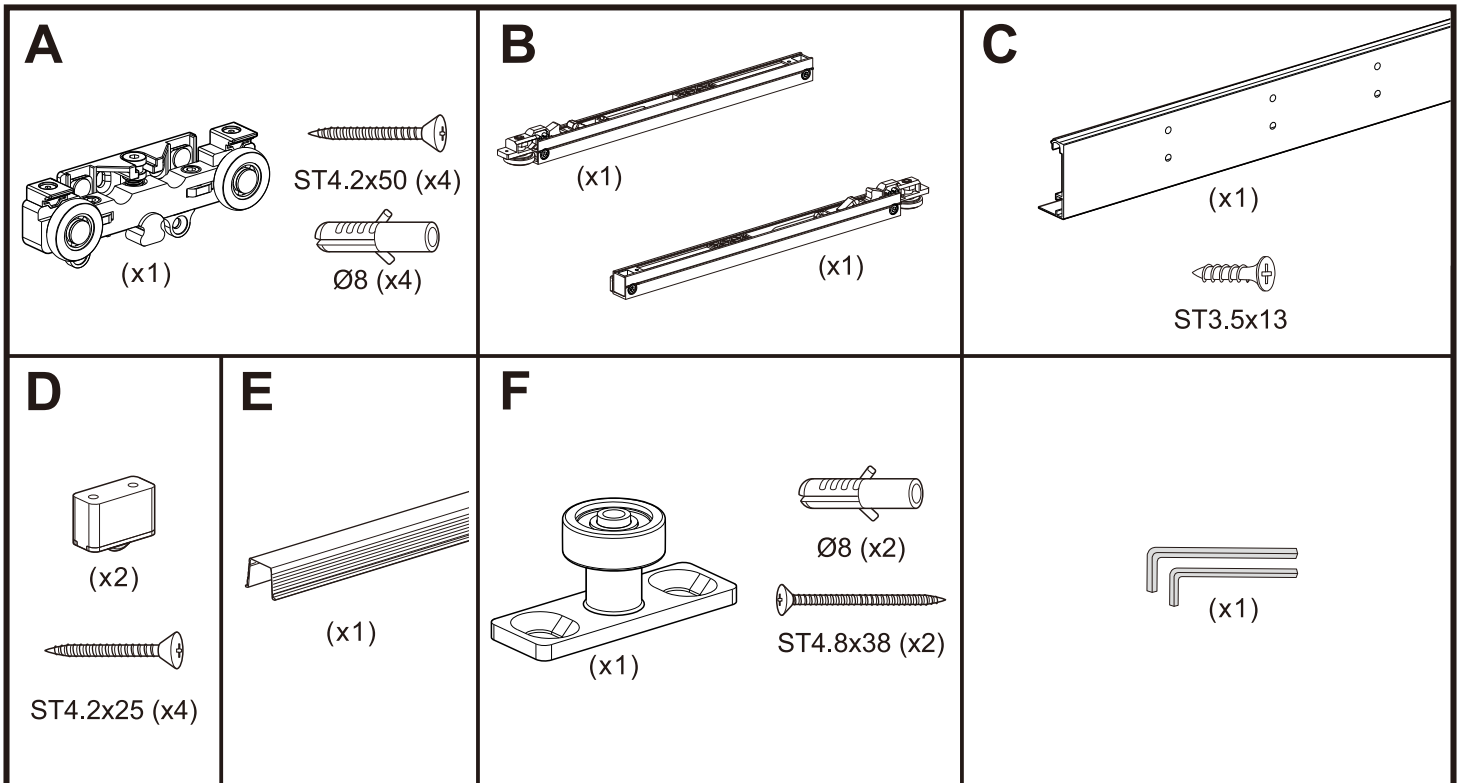


Pre-installation

TOOLS REQUIRED

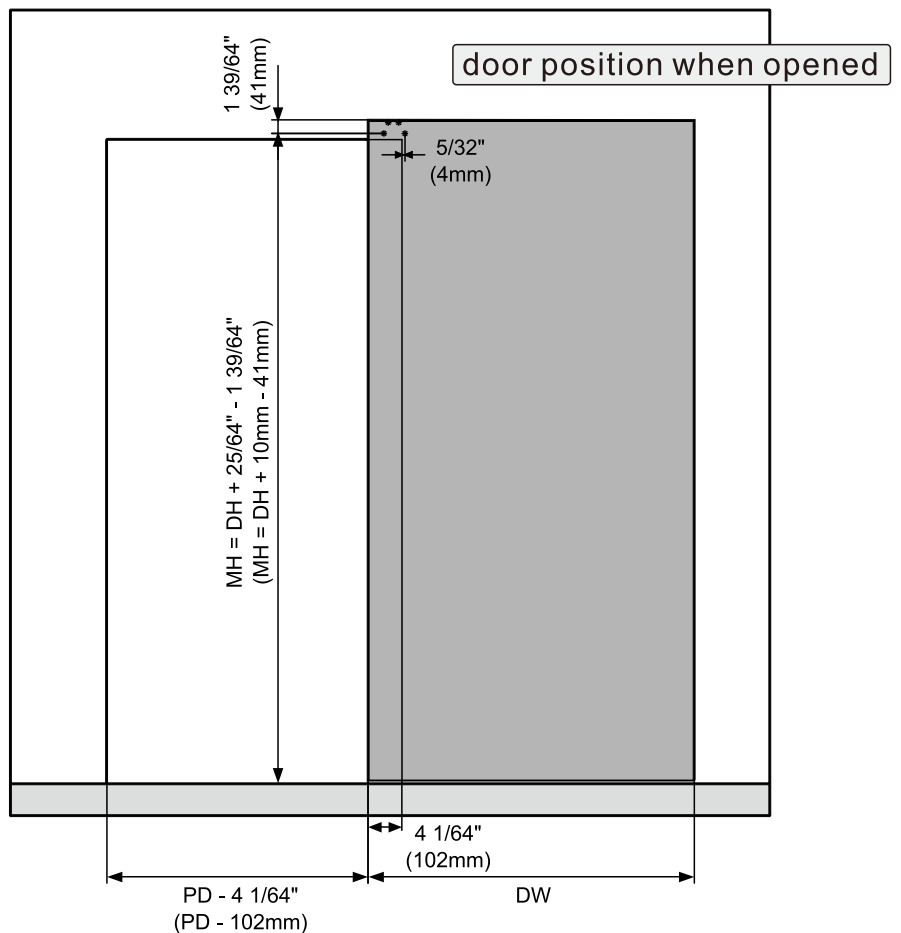


HARDWARE INCLUDED



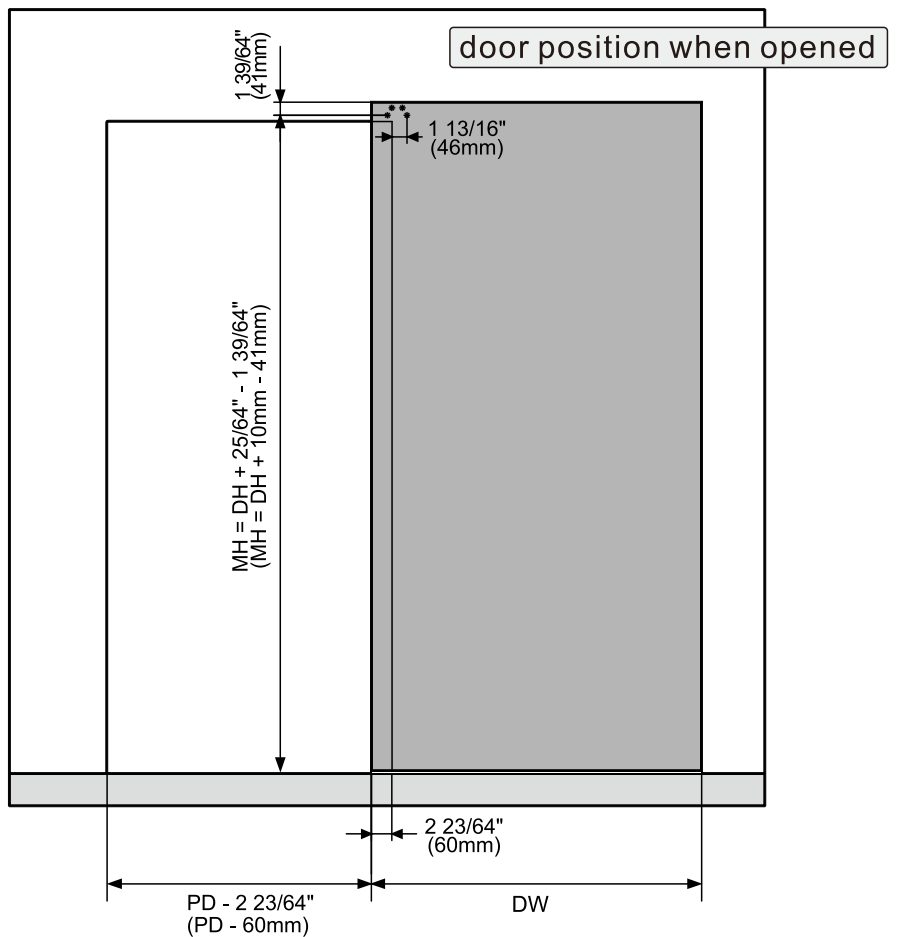
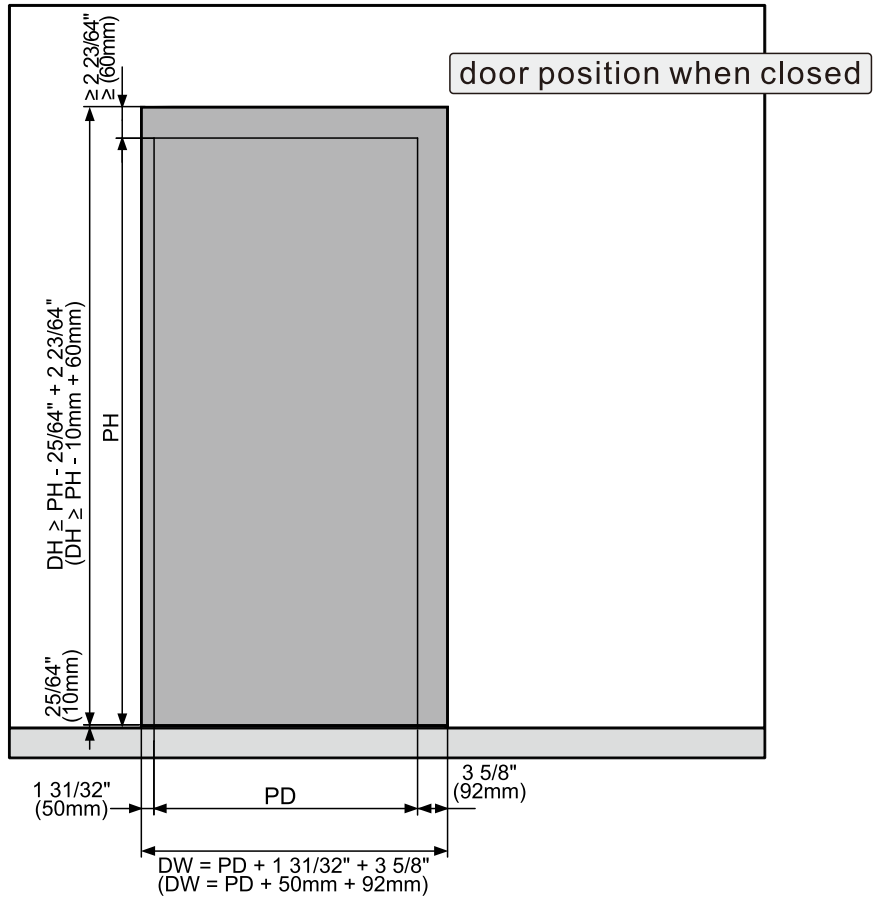
Door preparation.a

DW	Door Width
PD	Passage Width
DH	Door Height
PH	Passage Height
MH	Hanger Positioning



Door preparation.b

DW	Door Width
PD	Passage Width
DH	Door Height
PH	Passage Height
MH	Hanger Positioning

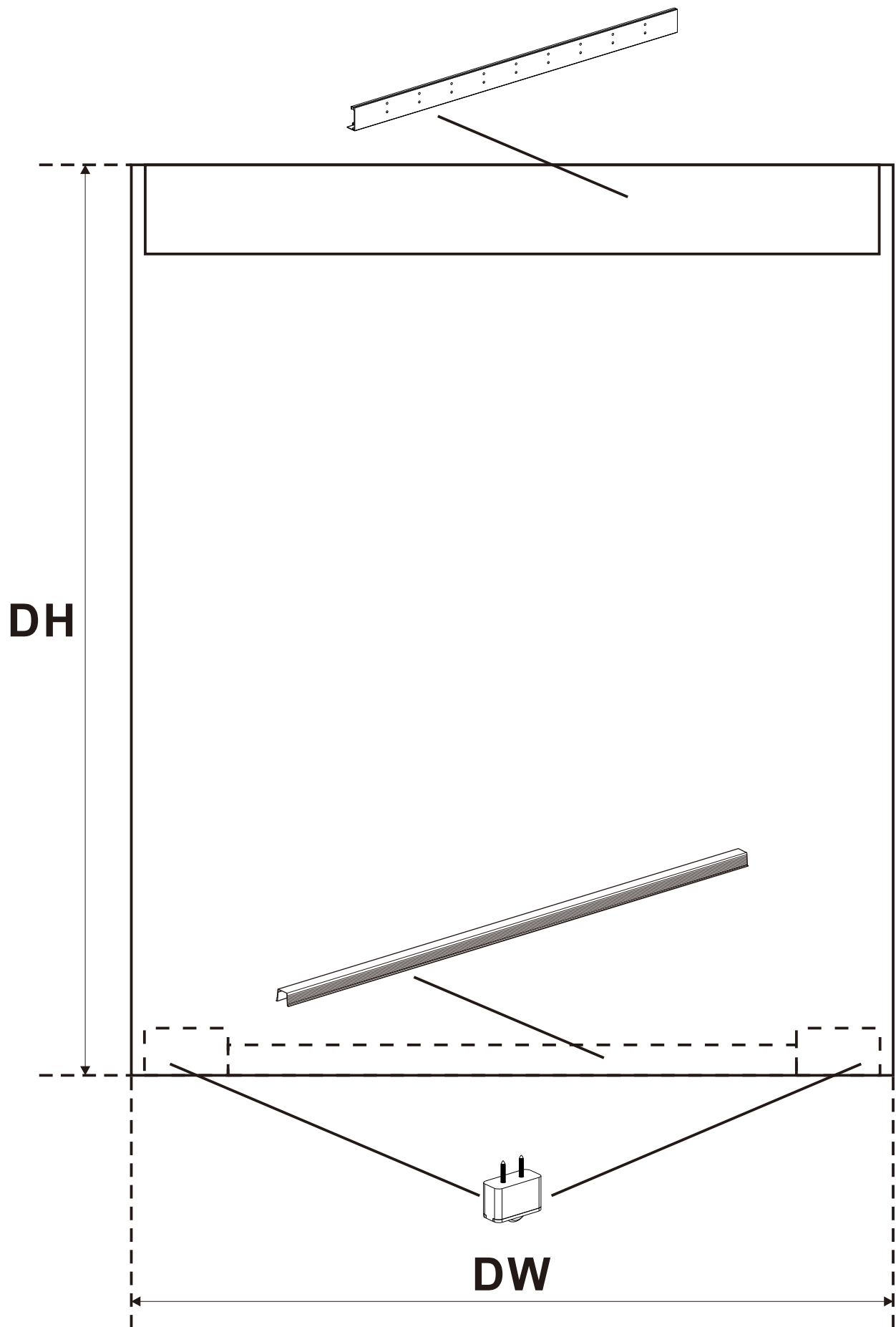


Door preparation.c

DW	Door Width
PD	Passage Width
DH	Door Height
PH	Passage Height
MH	Hanger Positioning

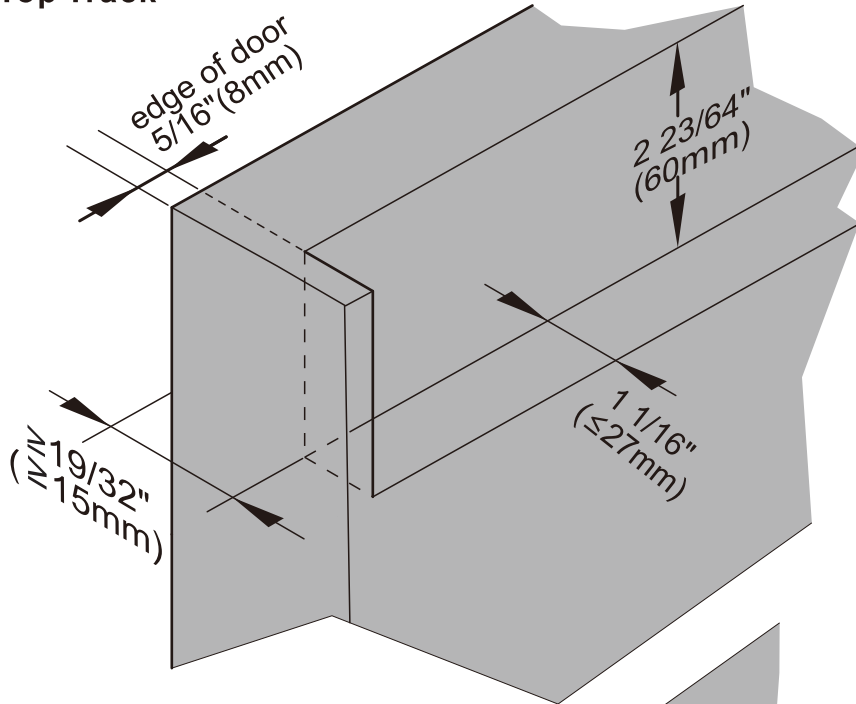


Components position

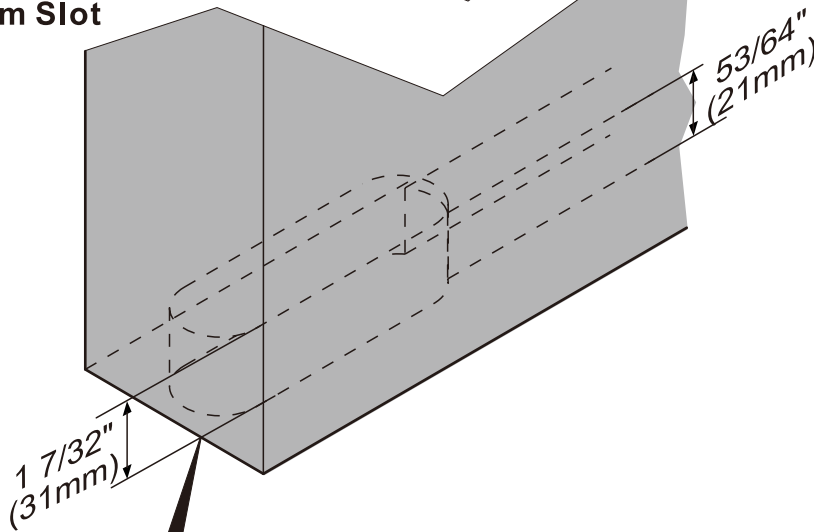


Open top and bottom slots

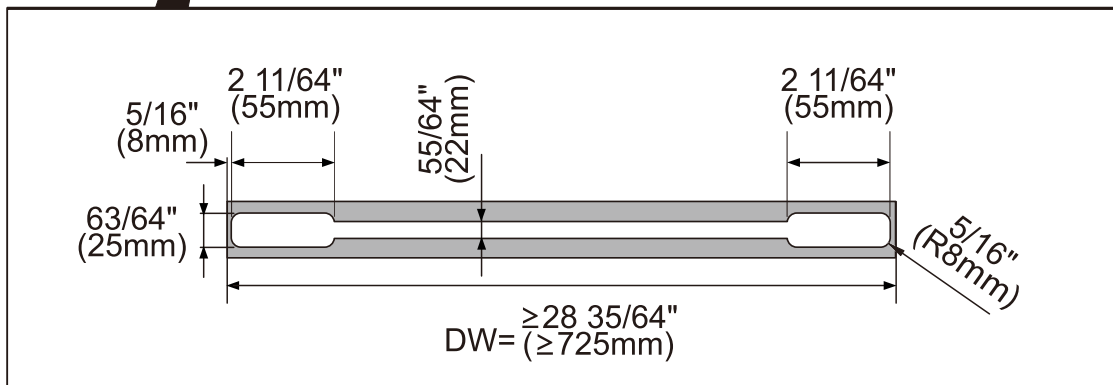
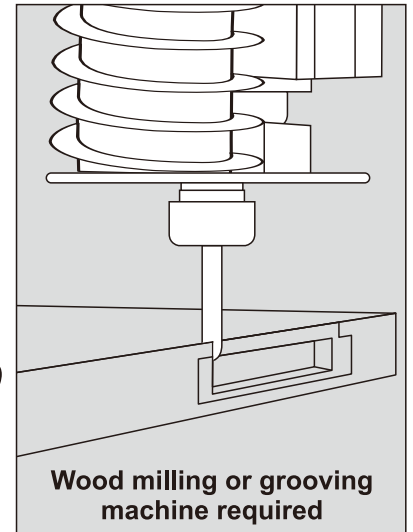
Top Track



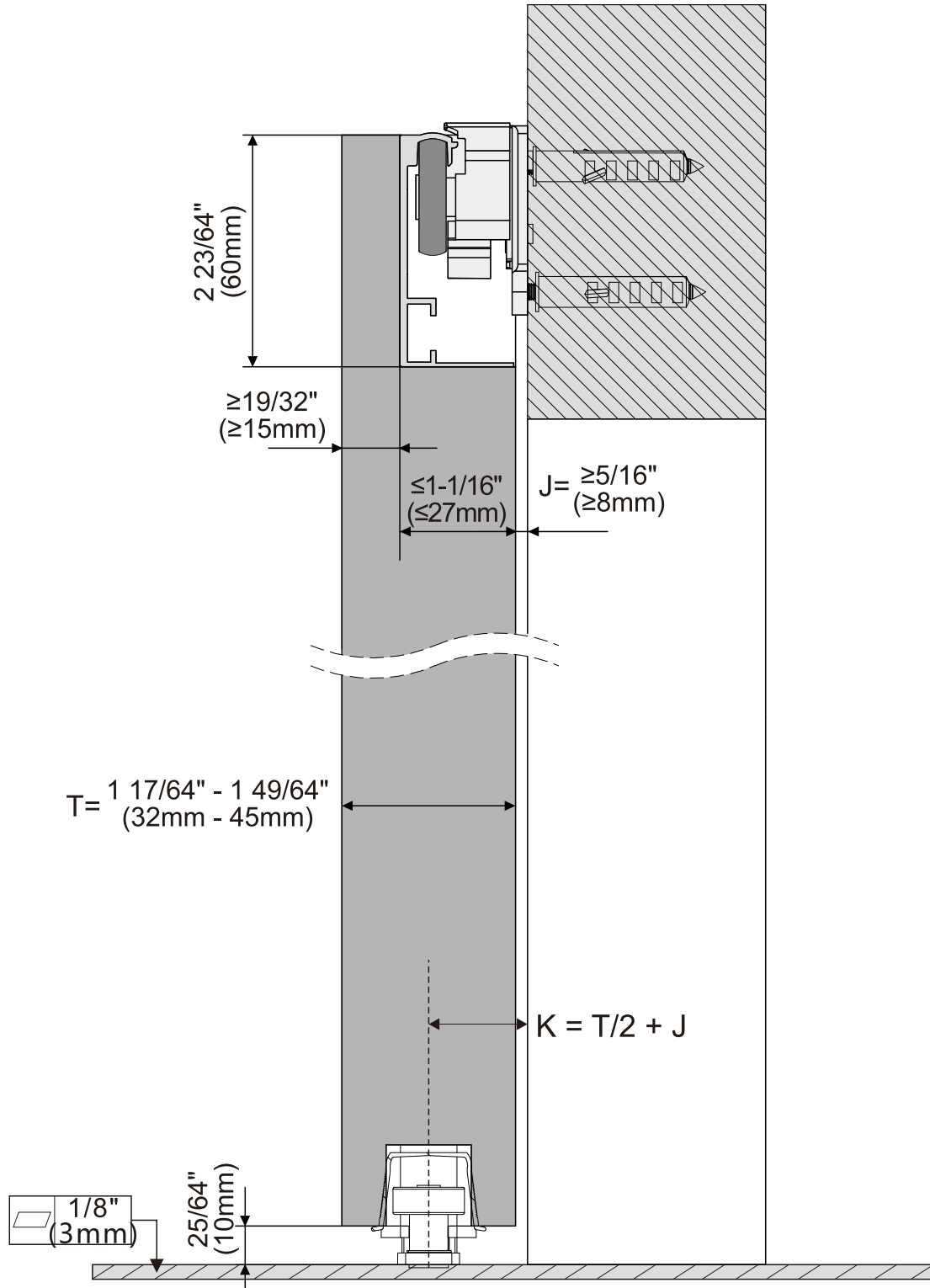
Bottom Slot



Tool

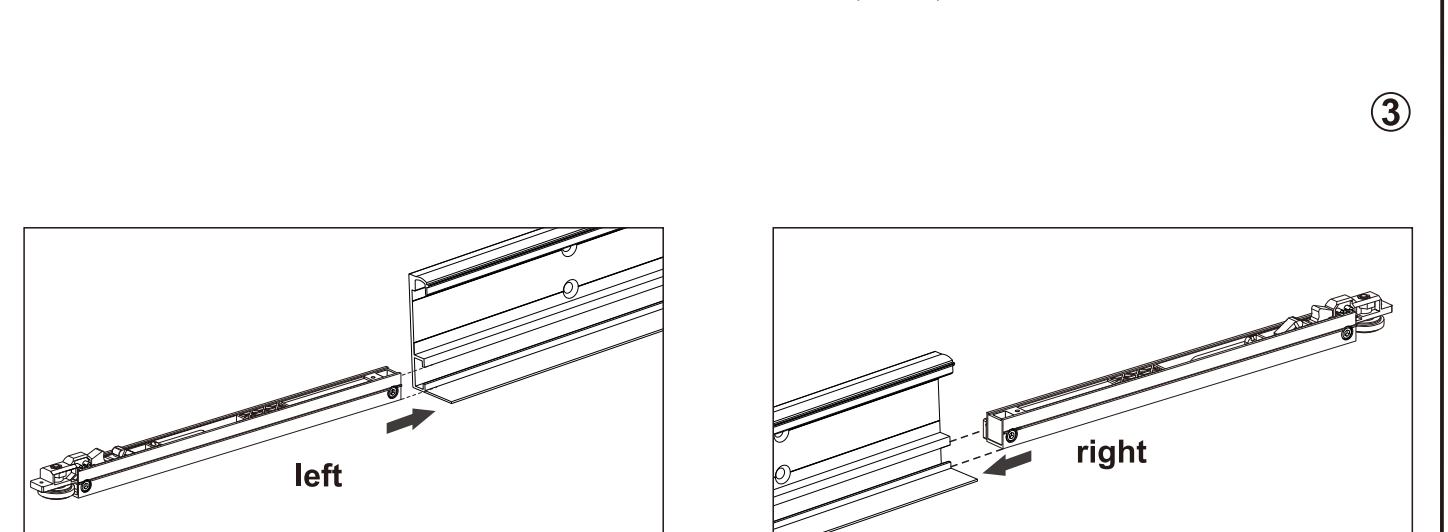
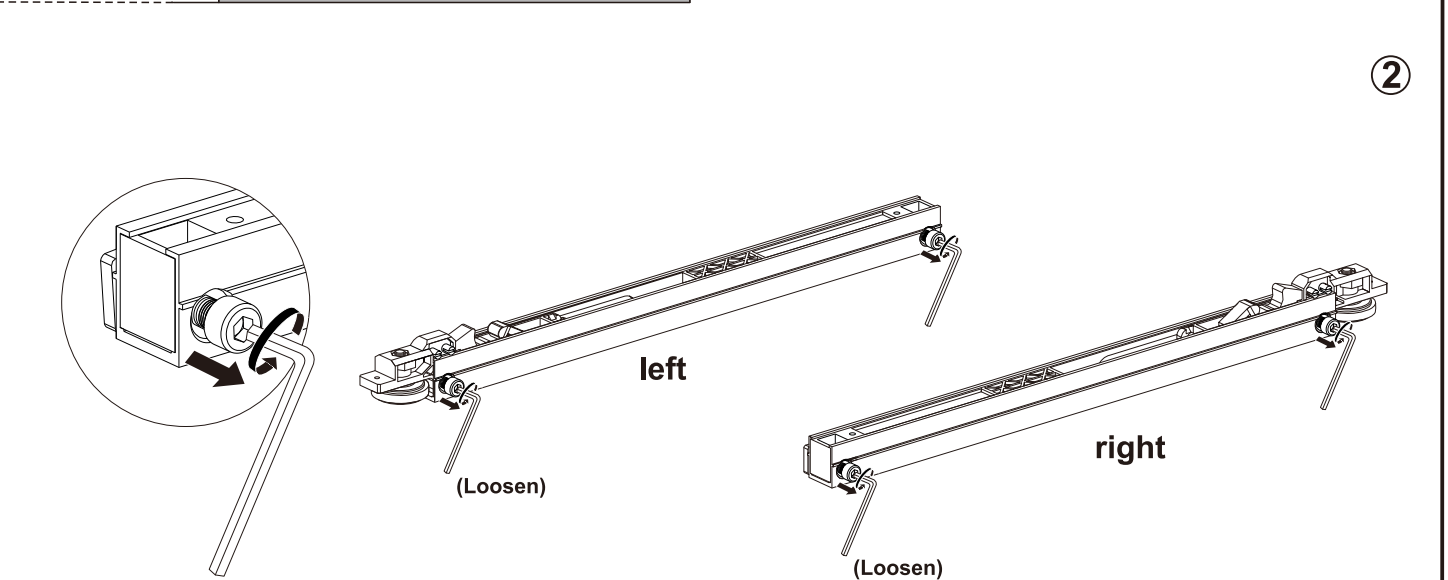
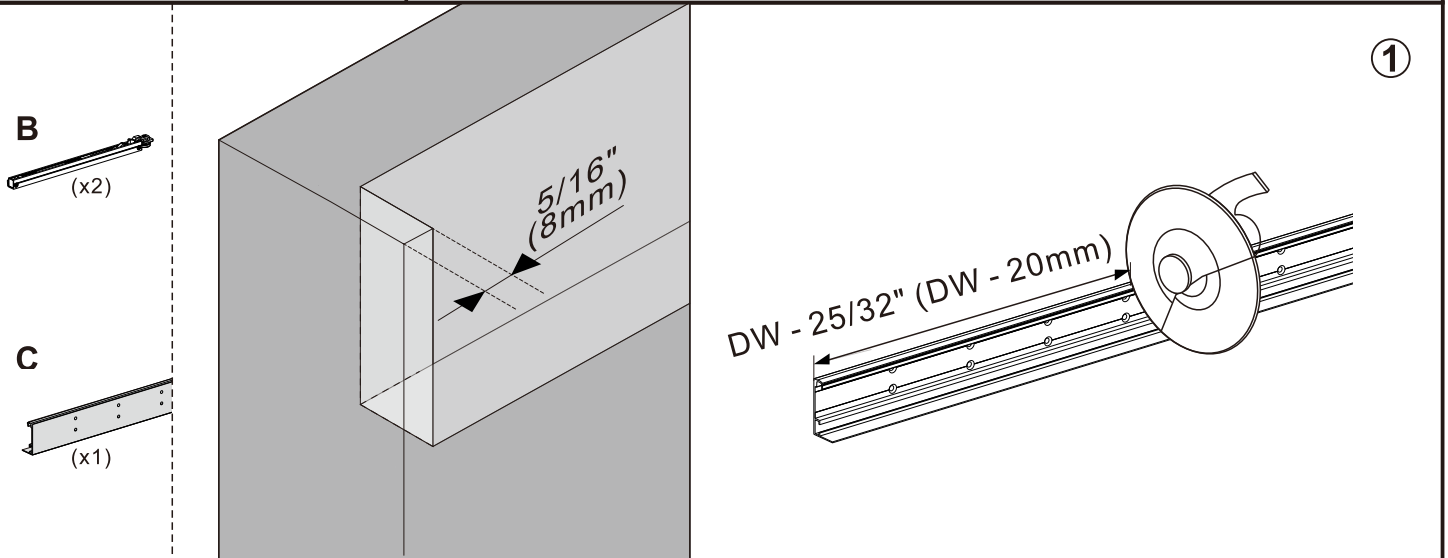


Section drawing

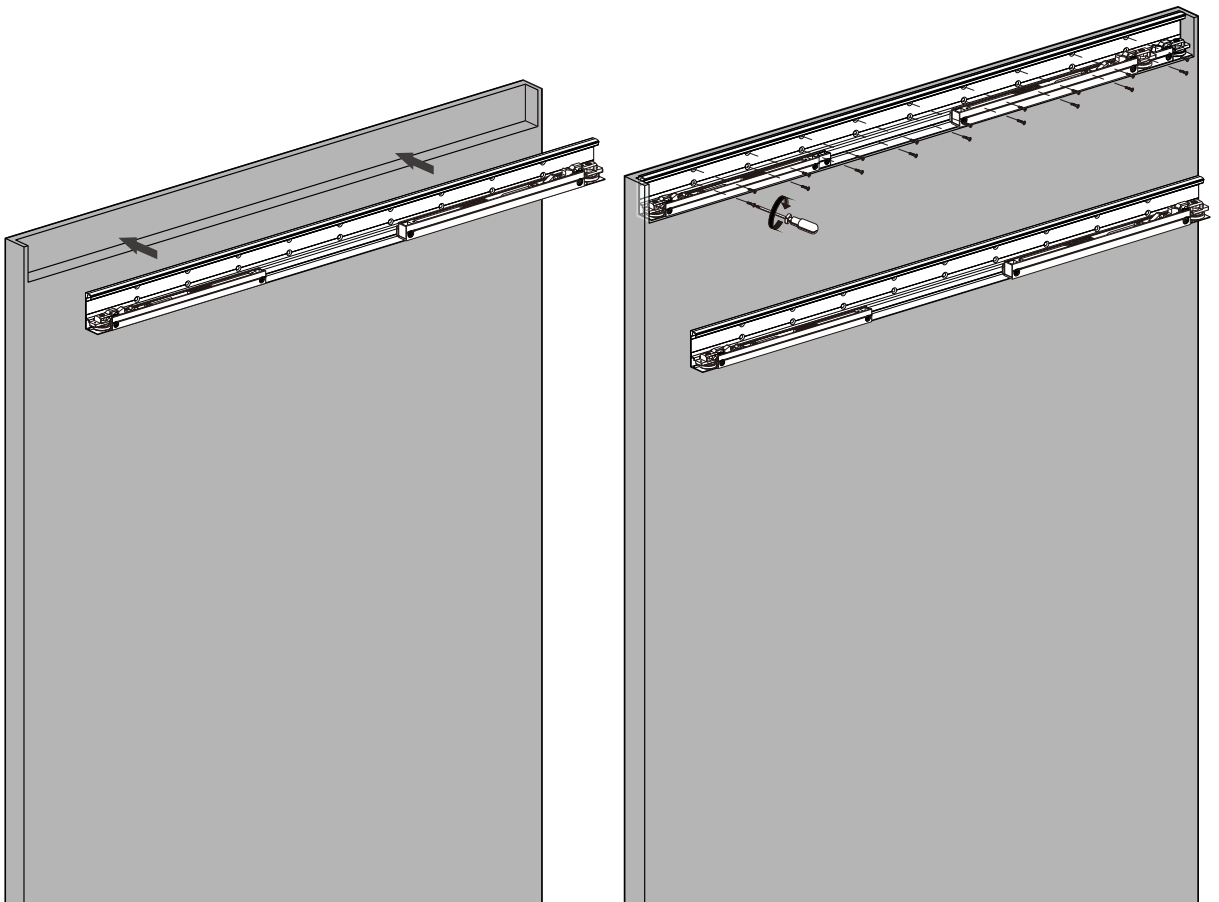
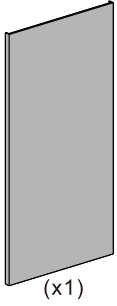
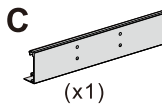


Installation

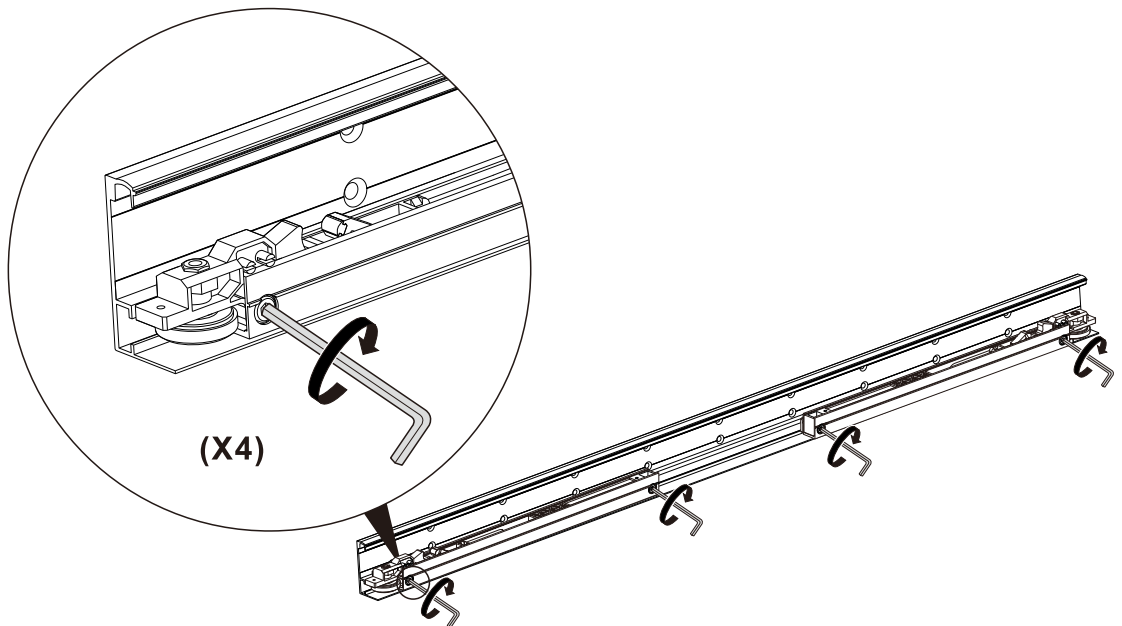
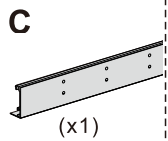
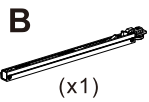
1 Cut top track to length (door width-20mm) and loosen the soft close screws and put both soft closes on both ends of top track.



2 Fasten top track onto the door slot.



3 Ensure soft close is even with either end of track and tighten soft close screws.



4 Remove the wheel.

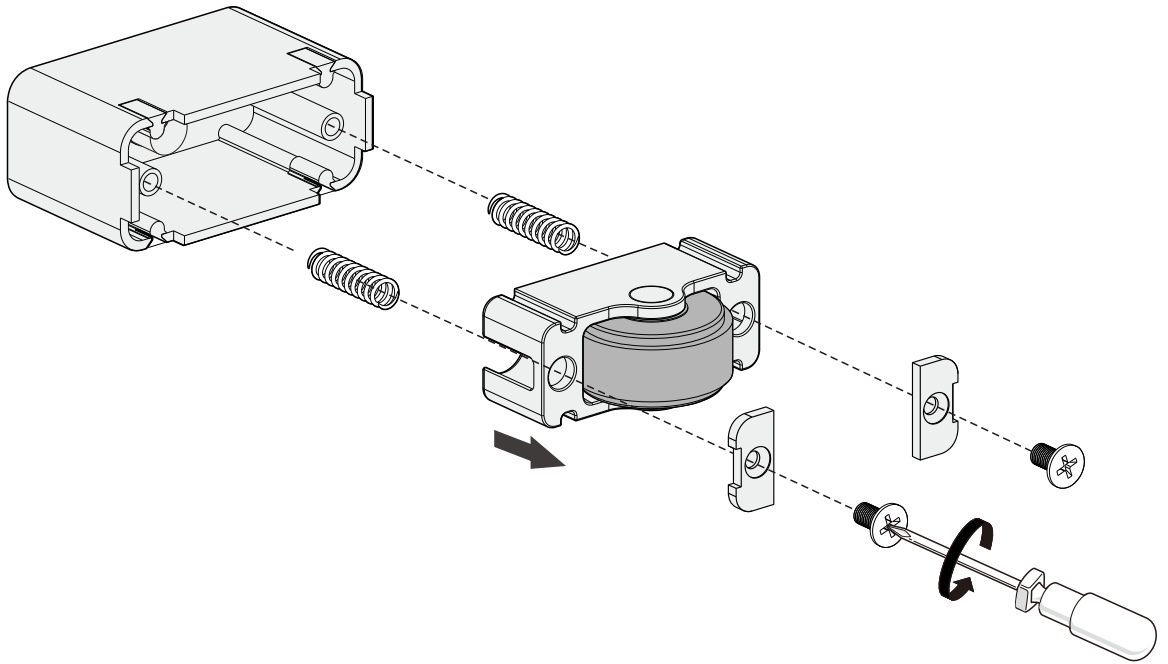
D



(x2)



ST4.2x25 (x4)



5 Fasten the bottom wheel body first.

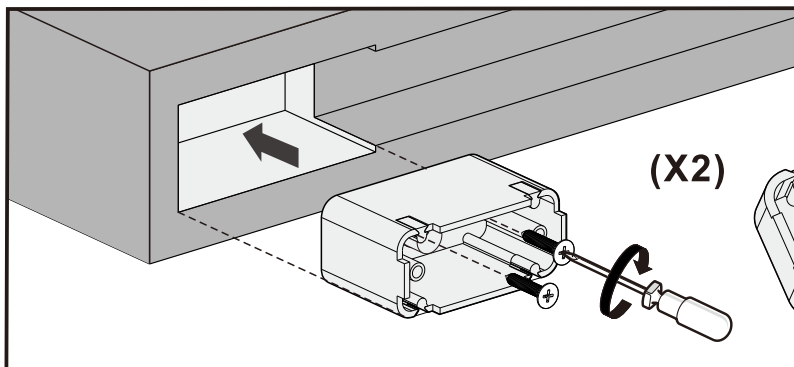
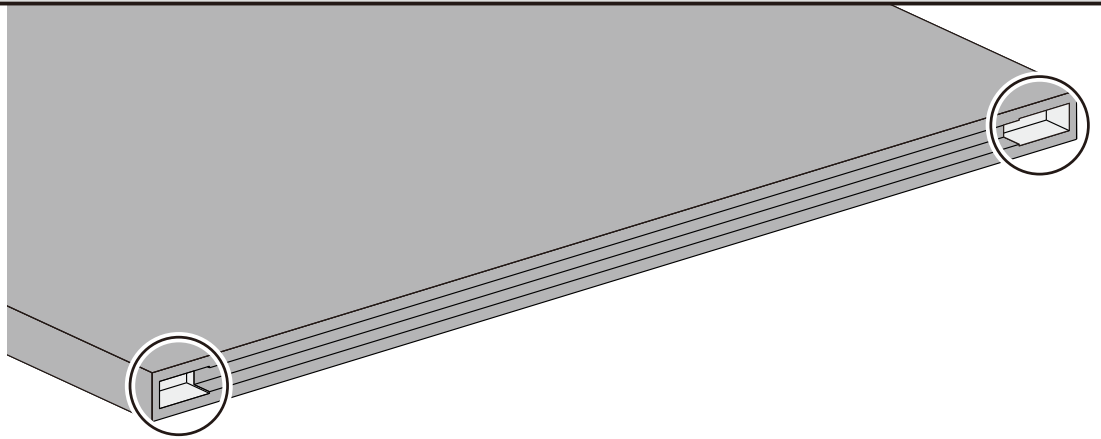
D



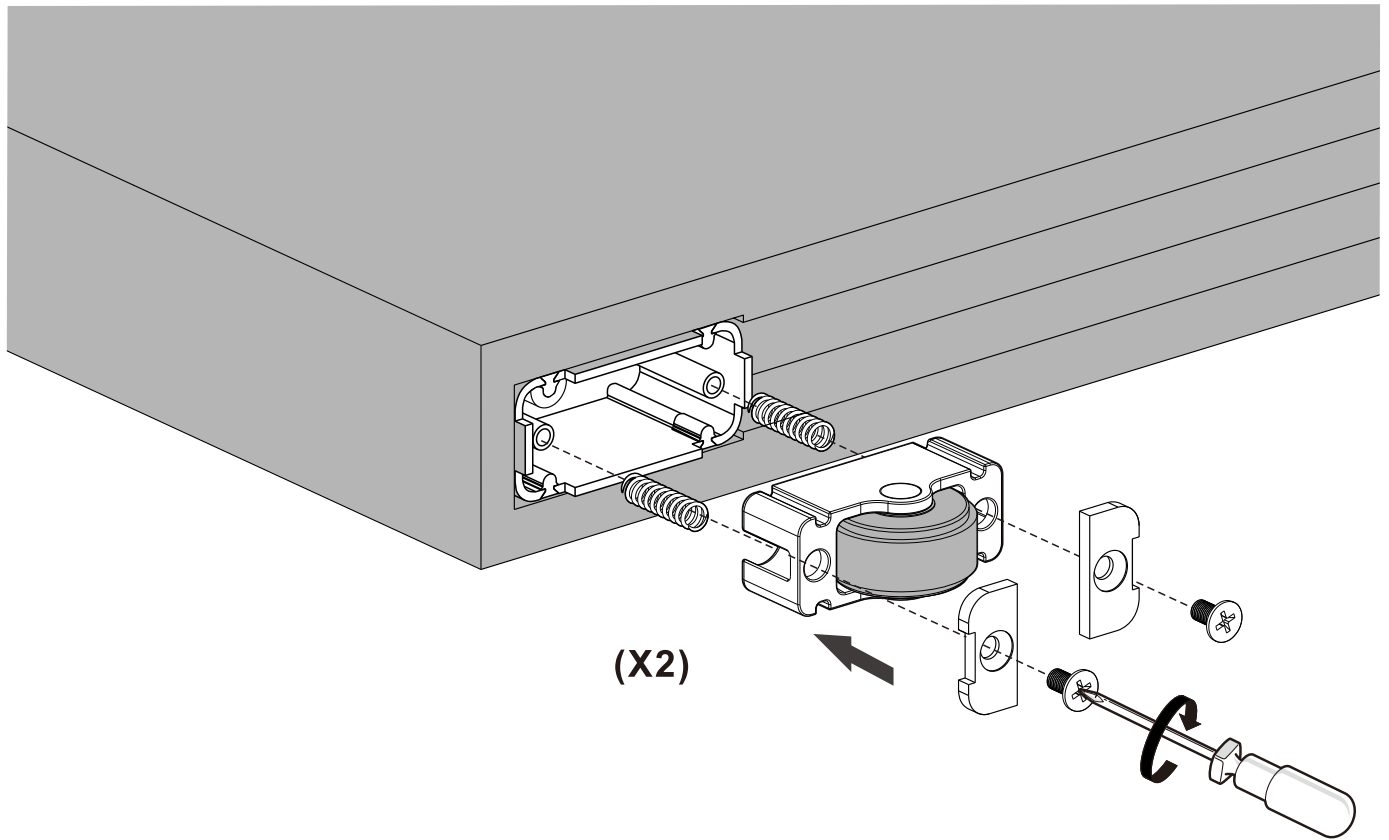
(x2)



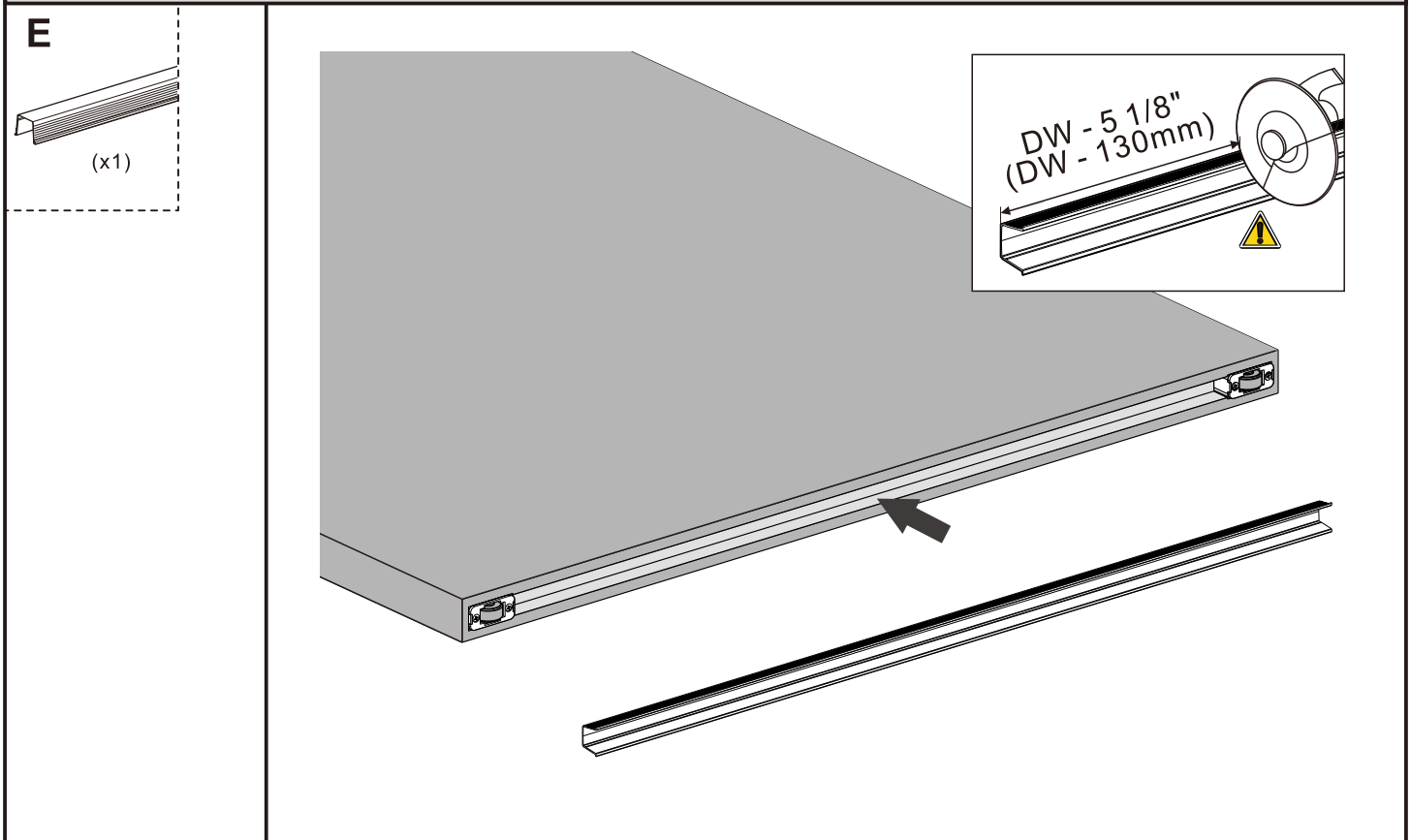
ST4.2x25 (x4)



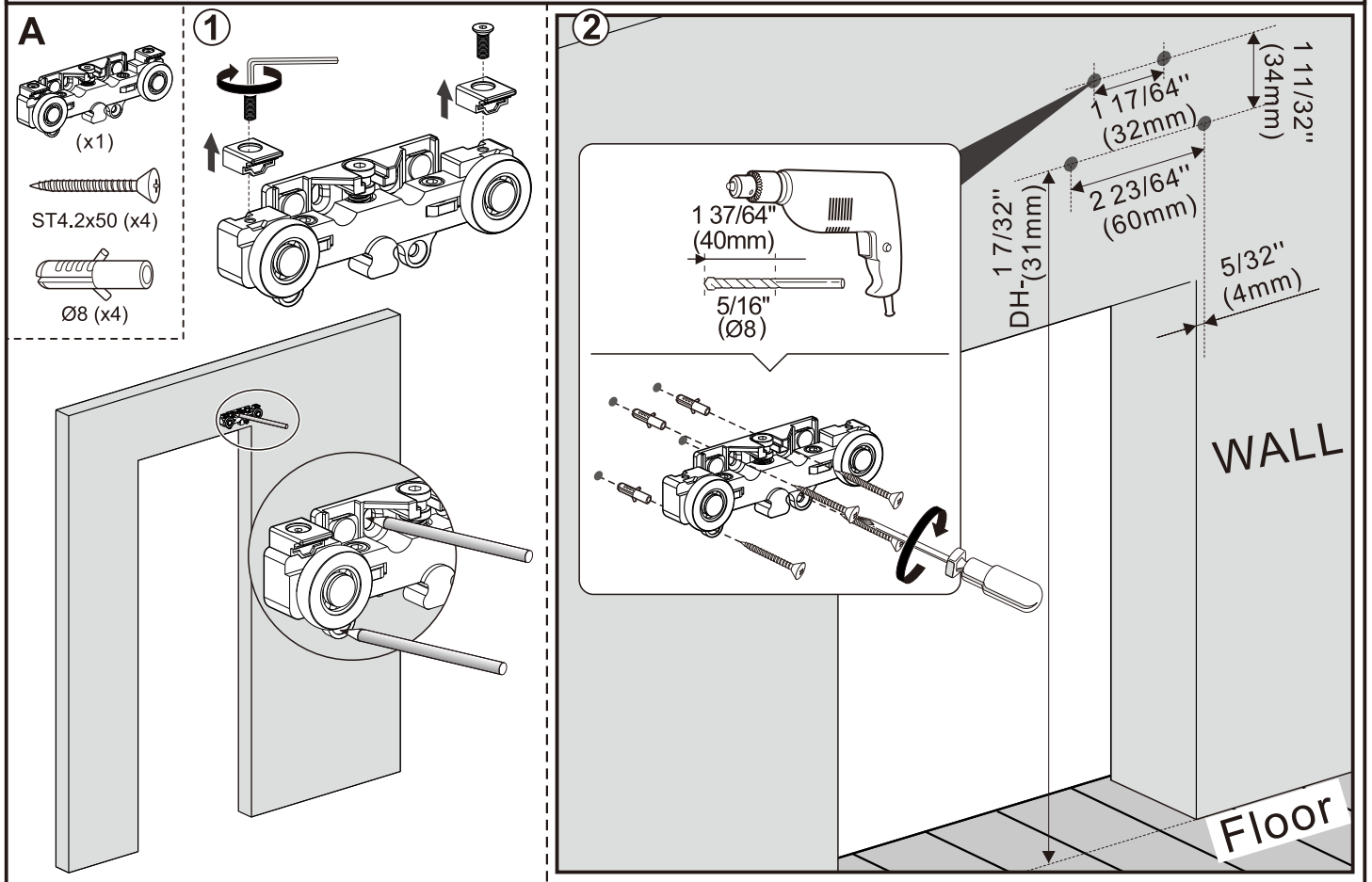
6 Put the wheel part back in the body.



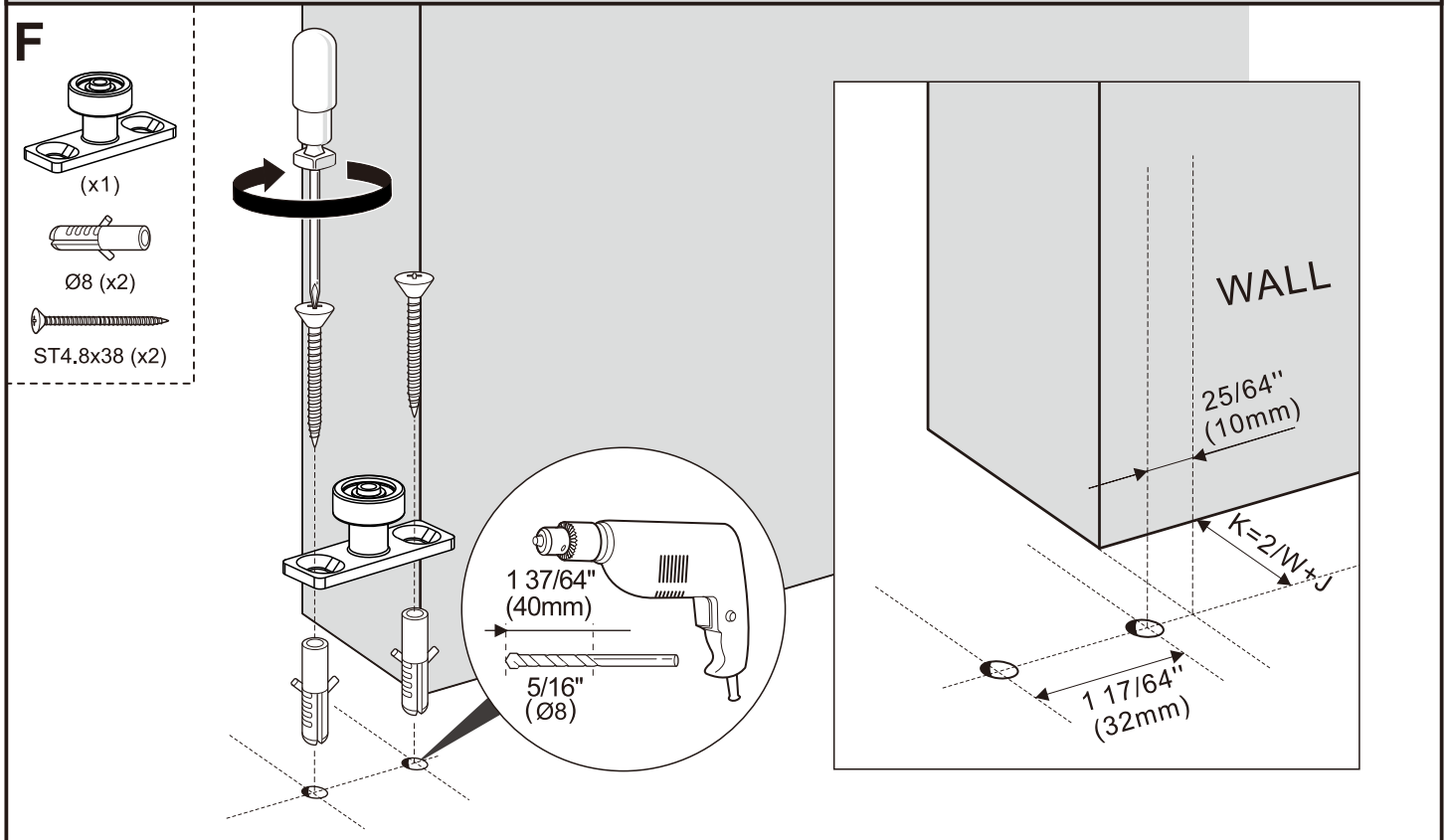
7 Cut bottom track to length (door width-130mm) and put the bottom track inside the bottom slot.



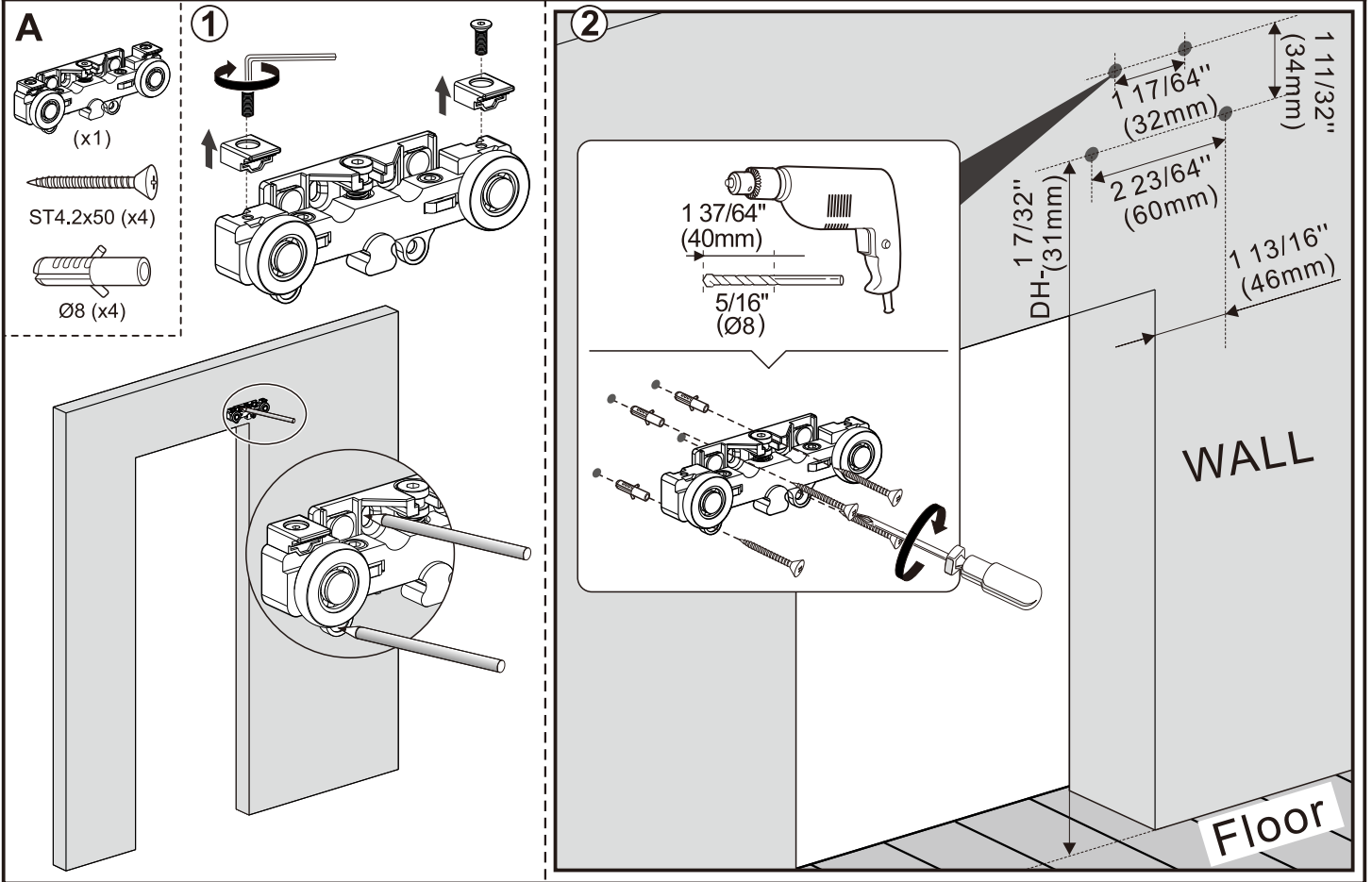
8a Remove anti-jump block of hanger first and mount hanger onto the wall.



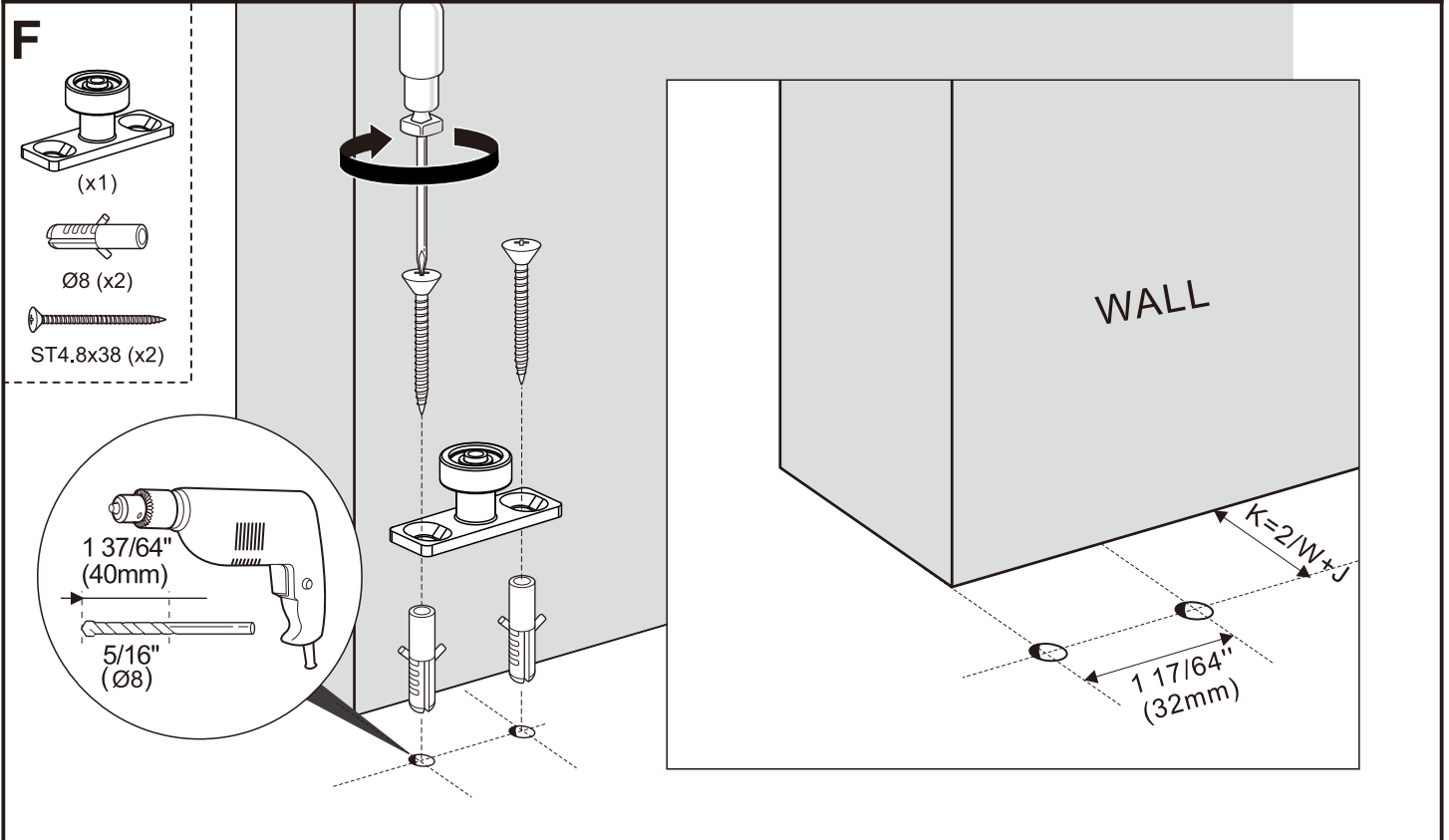
9a Mount floor guide.



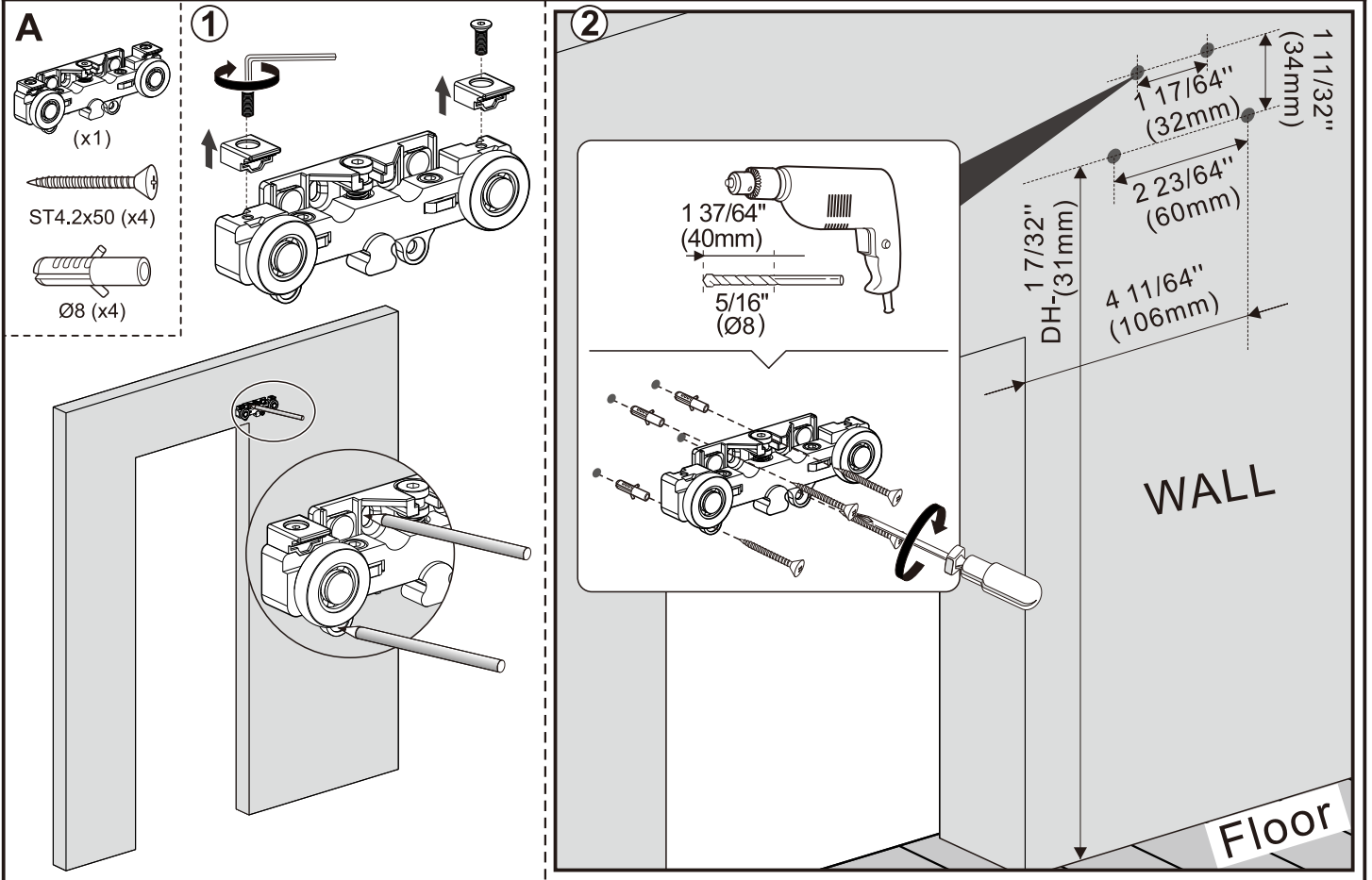
8b Remove anti-jump block of hanger first and mount hanger onto the wall.



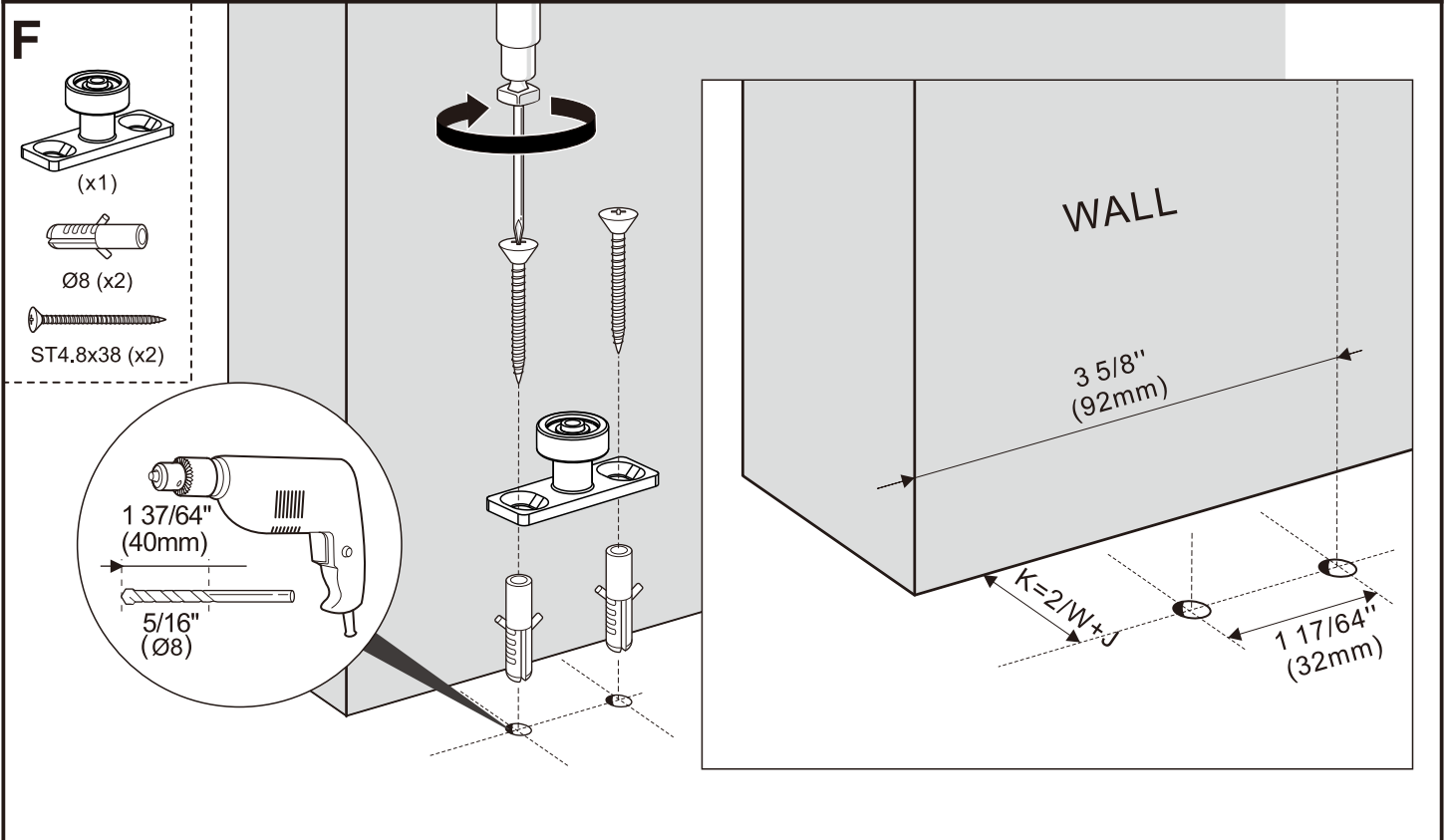
9b Mount floor guide.



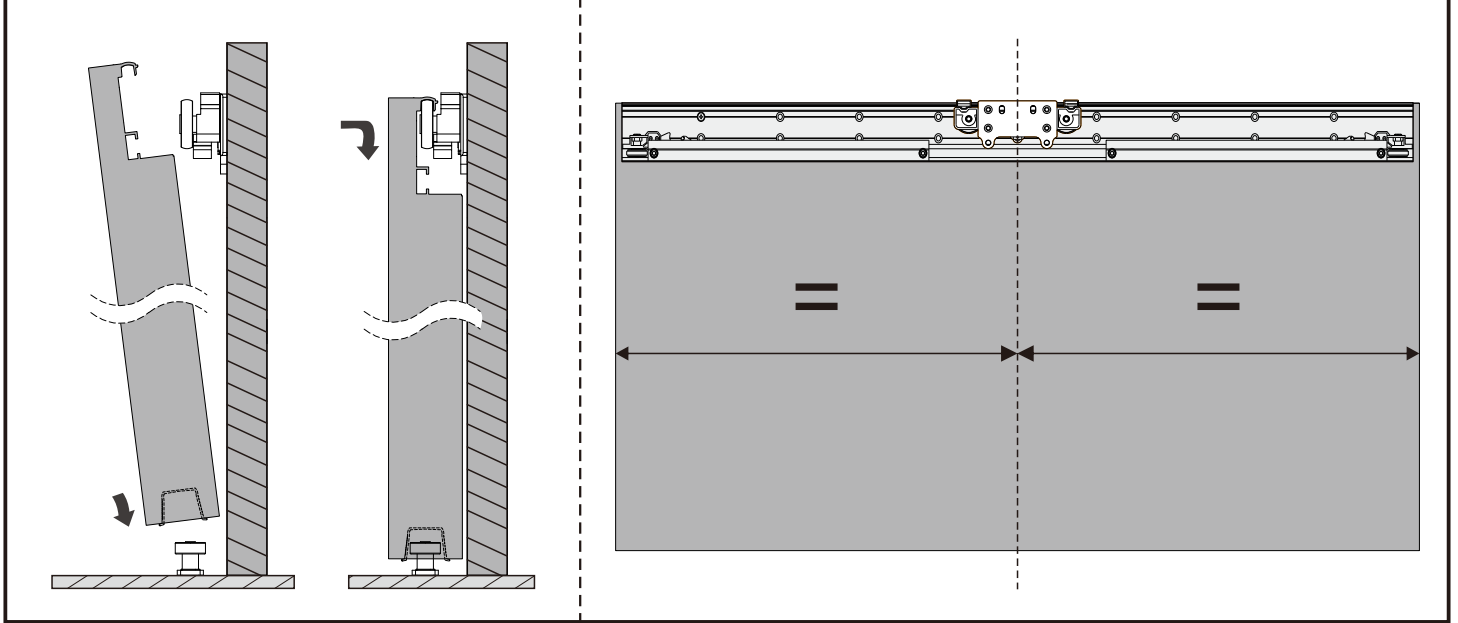
8c Remove anti-jump block of hanger first and mount hanger onto the wall.



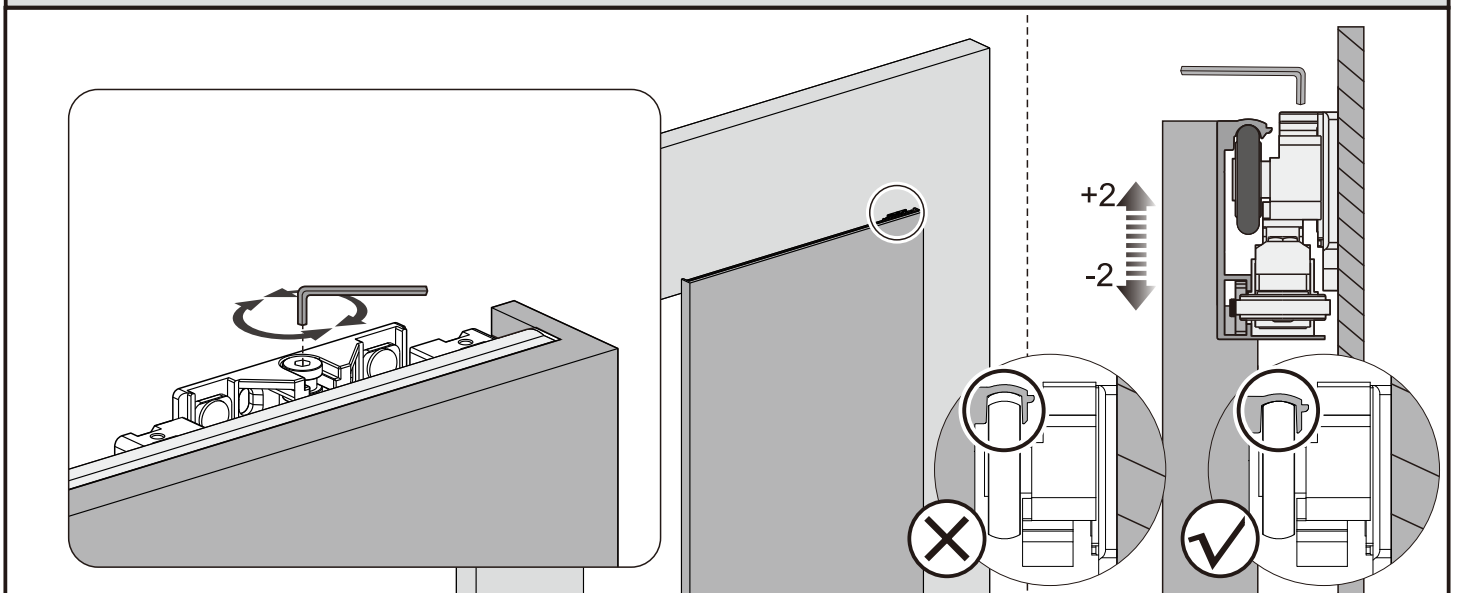
9c Mount floor guide.



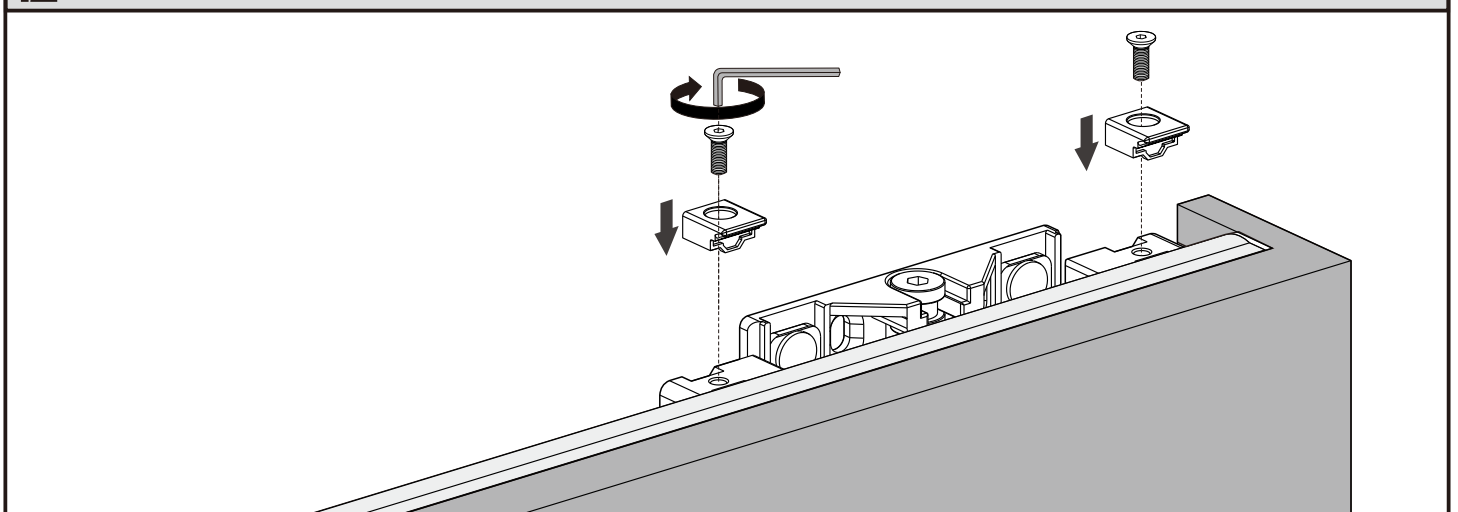
10 Put the floor guide inside the slot and hang door panel on the hanger. (hanger in the middle of top track)



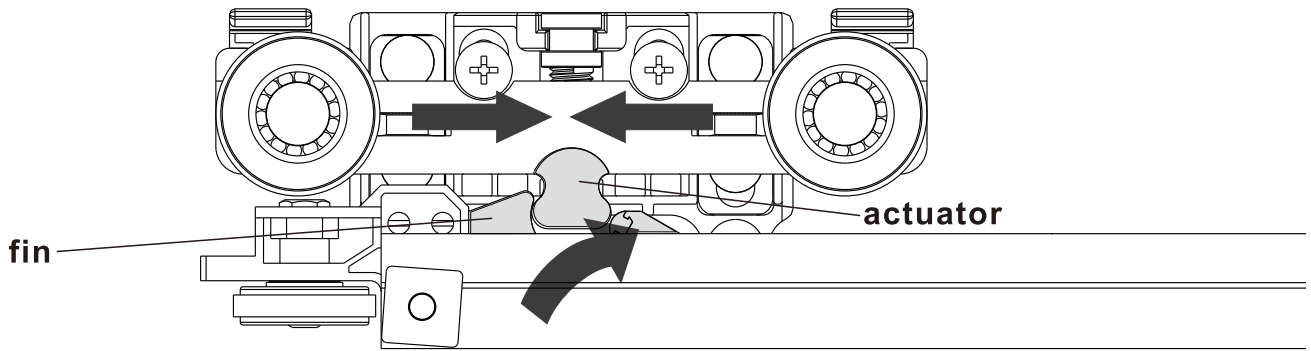
11 Rotate the screw to adjust the height of the wheel for fitting the rail completely.



12 Tighten the anti-jump block screws.



13 Move the door both left and right to ensure actuator is in between the fins of soft close.



14 Adjust the door to ensure it is parallel with wall.

