



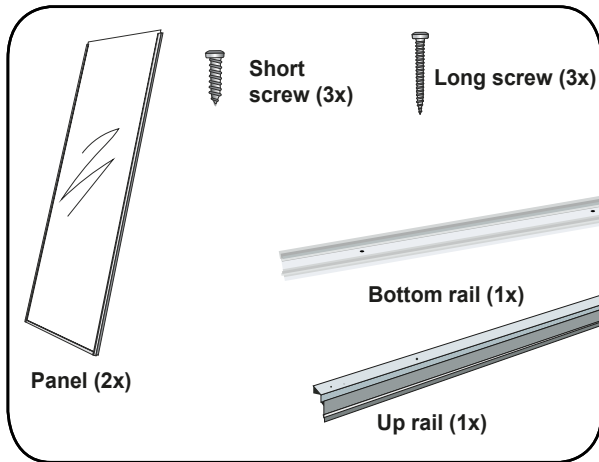
**colonialegance**

## HOW TO INSTALL YOUR CLOSET DOOR

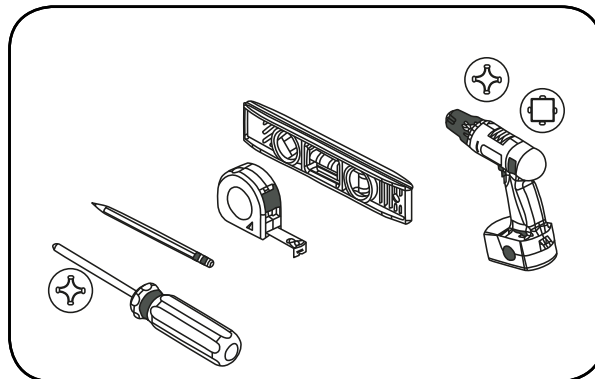
# SLIDING – TOP ROLL

**IMPORTANT - PLEASE READ ALL INSTRUCTIONS BEFORE YOU BEGIN INSTALLATION.**

- These instructions are for a 2-panels sliding door.

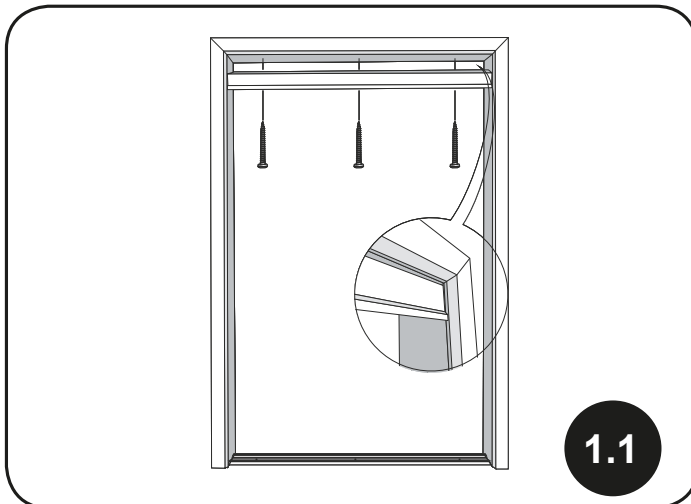


Parts included

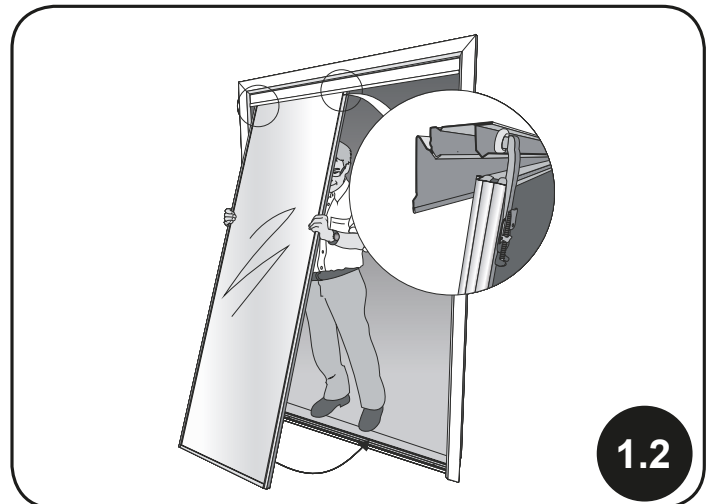


Recommended tools

## 1. Door installation



Using the long screws, fix the top track 1/16" back from the front edge of jamb face.

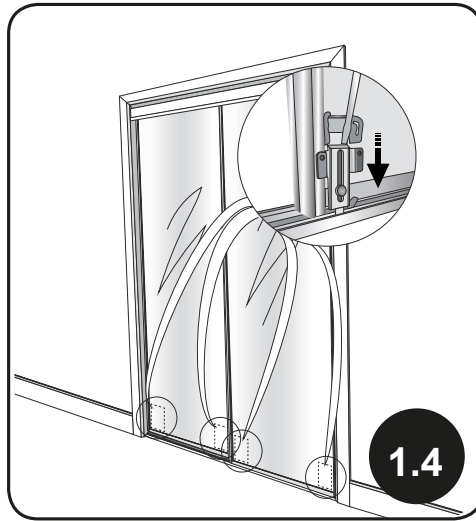


Tilt a door panel, insert the top rollers in the rear « J » channel of the top track.



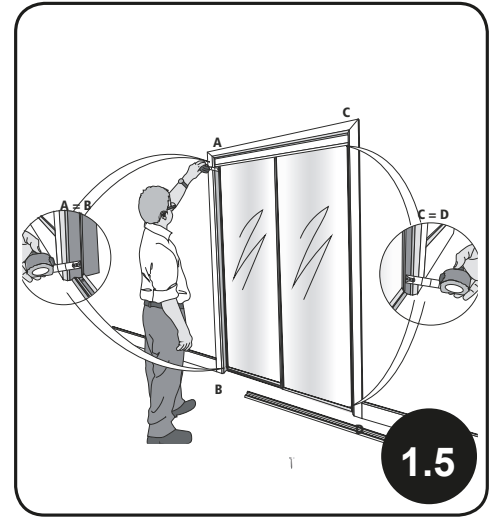
1.3

Repeat the same process for the front panel.



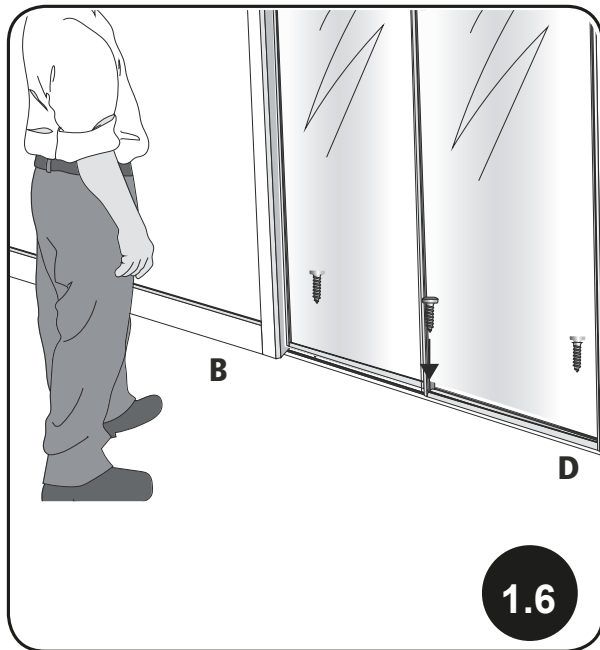
1.4

Align the bottom guides to the grooves of the bottom track then with a flat head screwdriver snap them in place by putting pressure on them.



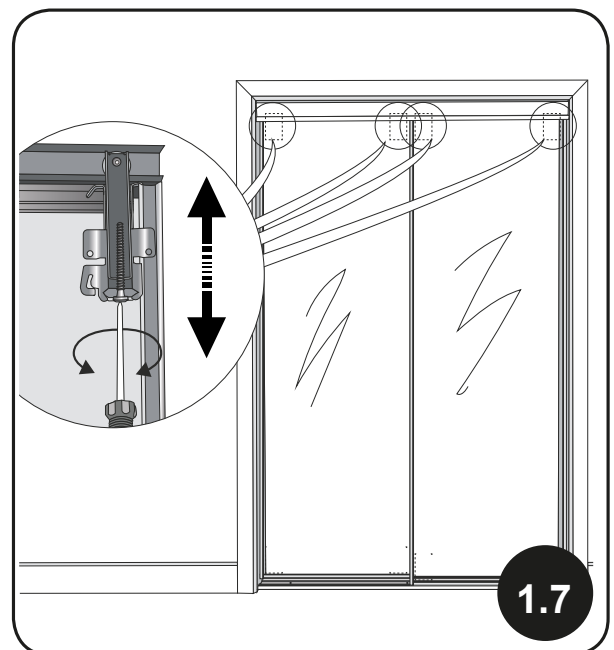
1.5

By pushing or pulling the bottom track, make sure A measurement equals B. And C equals D.



1.6

Once equalized, fix the bottom track with the short screws.



1.7

Using a screwdriver, ease or tighten the top rollers so the panels are squared to the door jamb.

**DO NOT RETURN TO RETAILER**

If you have any questions, please contact our customer service at:  
[info@colonialegance.com](mailto:info@colonialegance.com) or call toll free at: 1-800-361-2030

**VISIT OUR WEB SITE**

[www.colonialegance.com](http://www.colonialegance.com)

**\*1 year limited warranty**