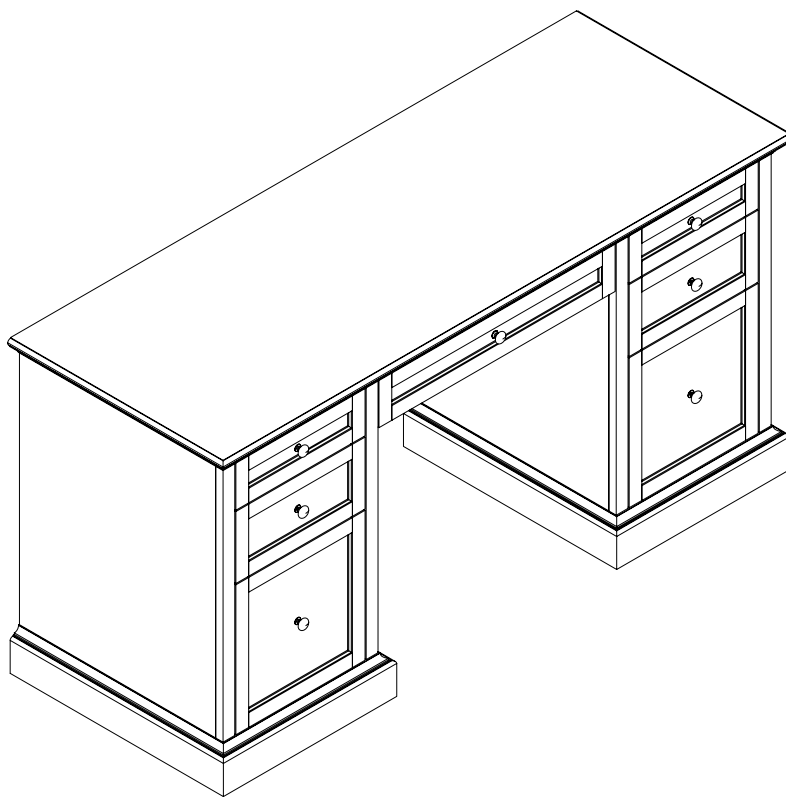


## USE AND CARE GUIDE

---

### ROYCE EXECUTIVE DESK



Questions, problems, missing parts? Before returning to the store,  
call Home Decorators Collection Customer Service.  
8 a.m. – 7 p.m., EST, Monday – Friday, 9 a.m. – 6 p.m., EST, Saturday

**1-800-998-7021**

**[HOMEDEPOT.COM/HOMEDECORATORS](http://HOMEDEPOT.COM/HOMEDECORATORS)**

---

#### **THANK YOU**

*We appreciate the trust and confidence you have placed in Home Decorators Collection through the purchase of this royce executive desk. We strive to continually create quality products designed to enhance your home. Visit us online to see our full line of products available for your home improvement needs. Thank you for choosing Home Decorators Collection!*

# Table of Contents

Table of Contents.....	2	Hardware Included.....	3
Safety Information.....	2	Pre-assembly (continued).....	4
Warranty.....	2	Package Contents.....	4
3 Year Warranty.....	2	Assembly.....	5
What is Covered.....	2		
What is Not Covered.....	2		
Pre-assembly.....	3		
Planning Assembly.....	3		
Tools Required.....	3		

# Safety Information



## DANGER

- Keep small parts away from children during assembly.
- Read and follow instructions carefully.



## WARNING

- Read these instructions carefully and keep in a safe place.
- TO GUARANTEE THE SAFE USE OF THIS PRODUCT, FOLLOW THE WARNINGS, GUIDELINES AND RECOMMENDATIONS IN THIS MANUAL.
- Adult assembly required.
- Small parts may present choking hazard prior to assembly.
- Do not place heavy objects on the glass top.
- Some assembly may involve attaching glass or mirrors.
- Be very careful handling the glass or mirrors, as severe injury may result if the glass or mirror breaks.
- Never handle large pieces of glass or mirrors by yourself.



## CAUTION

- Do not use power tools to assemble your furniture. Power tools may strip or damage parts/product.
- Do not overtighten connectors (screws, bolts, etc.). Overtightening can lead to product damage.
- Be sure to check all packing materials carefully for small parts that may have come loose inside the carton during shipment. If parts are missing, contact THE HOME DEPOT to obtain any missing parts.
- DO NOT USE SUBSTITUTE PARTS.
- This product should only be used on a flat, level surface.

# Warranty

## 3 YEAR WARRANTY

### WHAT IS COVERED

We guarantee this product to be free of manufacturing defects to the original purchaser for three years.

### WHAT IS NOT COVERED

This warranty does not cover commercial use, acts of nature, and abusive use.

# Pre-assembly

## PLANNING ASSEMBLY

Keep children and pets away from build area. Make sure your area is large enough to unpack, sort and assemble the unit.

## TOOLS REQUIRED



Small head  
Phillips  
screwdriver



Large head  
Phillips  
screwdriver

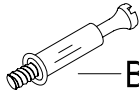
## HARDWARE INCLUDED



NOTE: Hardware not shown to actual size.



AA



BB



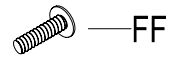
CC



DD



EE



FF



(1) x 4



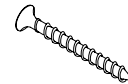
(2) x 2



(3) x 2



(4) x 2



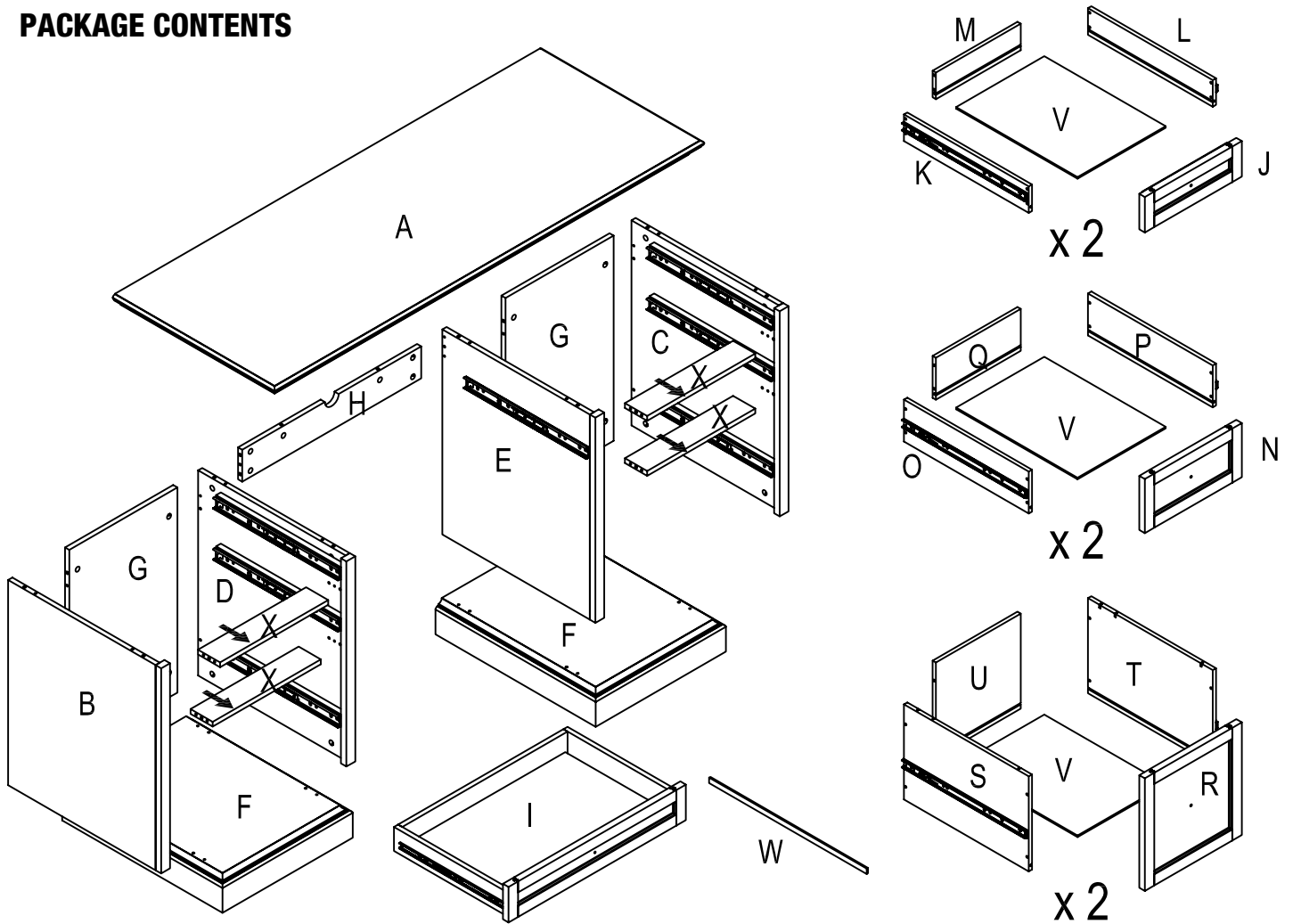
(5) x 2

GG

Part	Description	Quantity
AA	Wood dowel	42
BB	Cam lock bolt	38
CC	Cam lock	38
DD	1 in. Flat head screw	48
EE	Knob	7
FF	Bolt	7
GG	Anti-tipping hardware package	1

# Pre-assembly (continued)

## PACKAGE CONTENTS



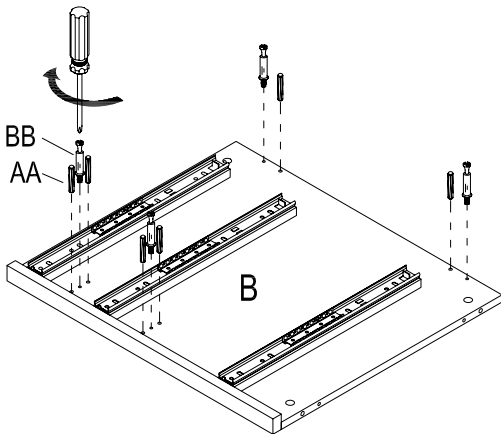
Part	Description	Quantity
A	Top panel	1
B	Left side panel	1
C	Right side panel	1
D	Left partition	1
E	Right partition	1
F	Bottom panel	2
G	Back panel	2
H	Back crossbar	1
I	Assembled drawer	1
J	Top drawer front panel	2
K	Top drawer left side panel	2
L	Top drawer right side panel	2

Part	Description	Quantity
M	Top drawer back panel	2
N	Middle drawer front panel	2
O	Middle drawer left side panel	2
P	Middle drawer right side panel	2
Q	Middle drawer back panel	2
R	Bottom drawer front panel	2
S	Bottom drawer left side panel	2
T	Bottom drawer right side panel	2
U	Bottom drawer back panel	2
V	Drawer bottom panel	6
W	Metal bar	4
X	Front crossbar	4

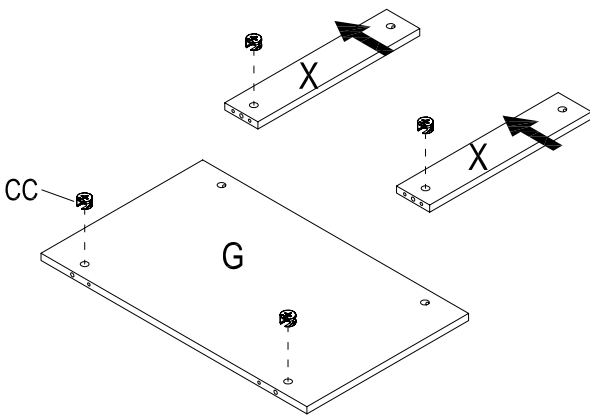
# Assembly

## 1 Attaching the back panel and front crossbar to the left side panel

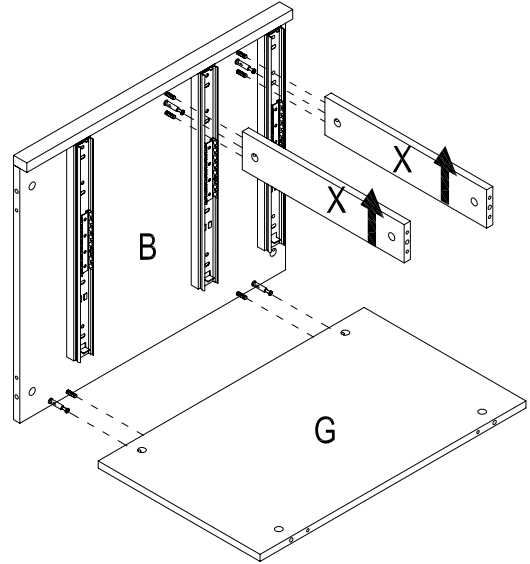
- a) Install dowel (AA) and bolt (BB) into panel (B).



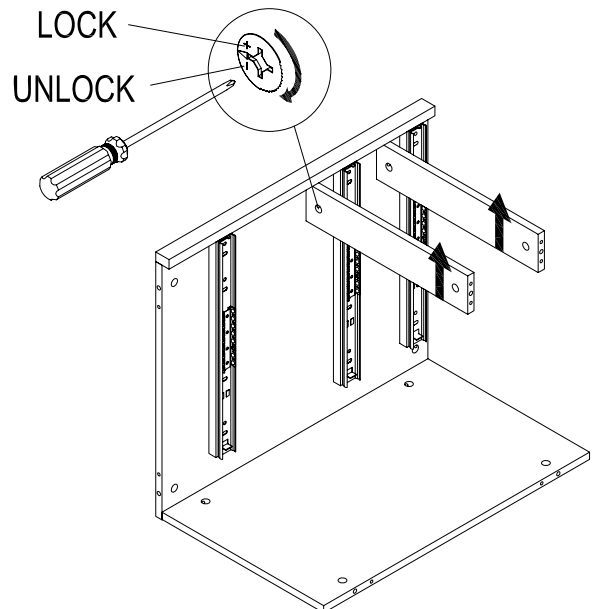
- b) Insert lock (CC) into panel (G) and bar (X).



- c) Join panel (G) and bar (X) to the panel (B) with dowel (AA).



- d) Tighten bolt (BB) with lock (CC) in the pre-drilled holes.



Wood dowel

Cam lock bolt

Cam lock

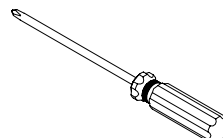
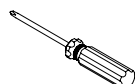
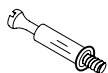
Small head

Large head

(AA) x 6

(BB) x 4

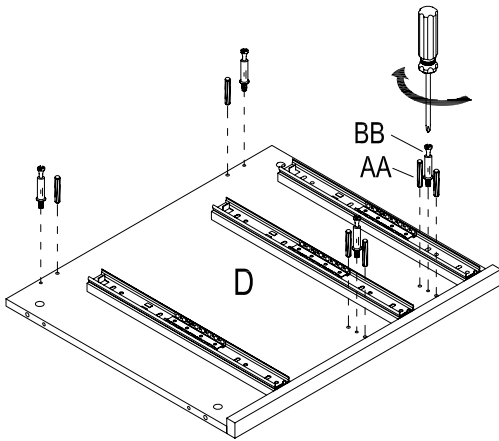
(CC) x 4



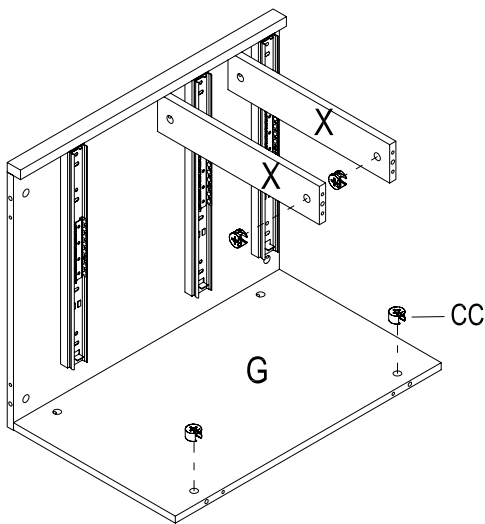
# Assembly (continued)

## 2 Attaching the left partition

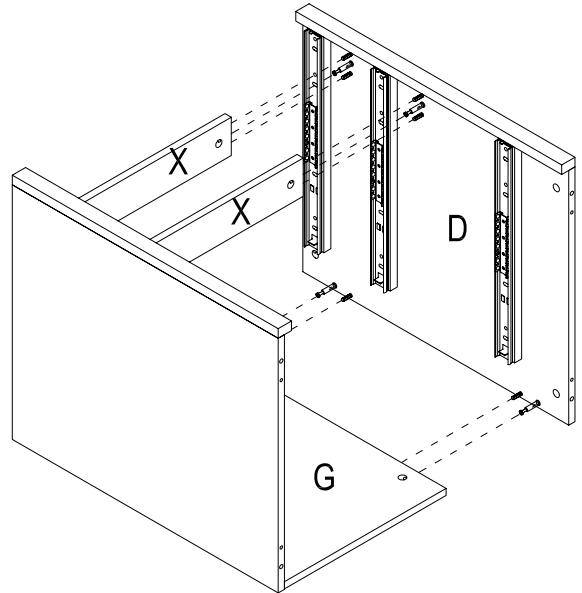
- a) Install dowel (AA) and bolt (BB) into panel (D).



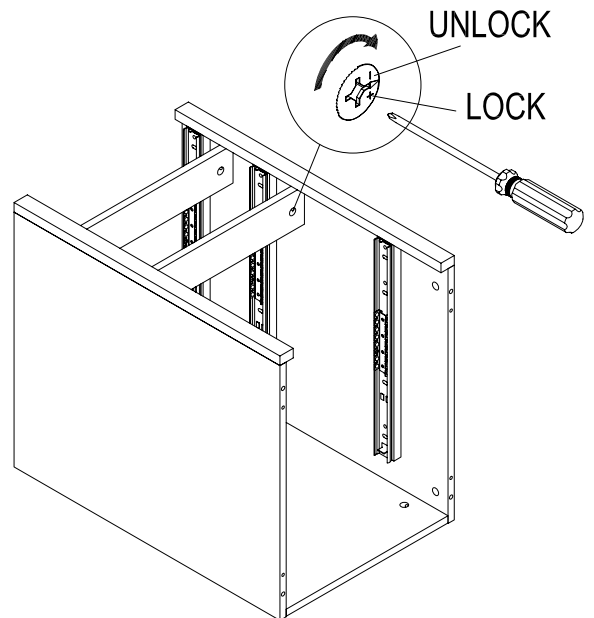
- b) Insert lock (CC) into panel (G) and bar (X).



- c) Join panel (D) to the assembled body with dowel (AA).



- d) Tighten bolt (BB) with lock (CC) in the pre-drilled holes.

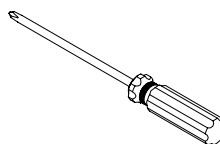
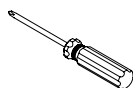
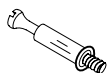


Wood dowel    Cam lock bolt    Cam lock    Small head    Large head

(AA) x 6

(BB) x 4

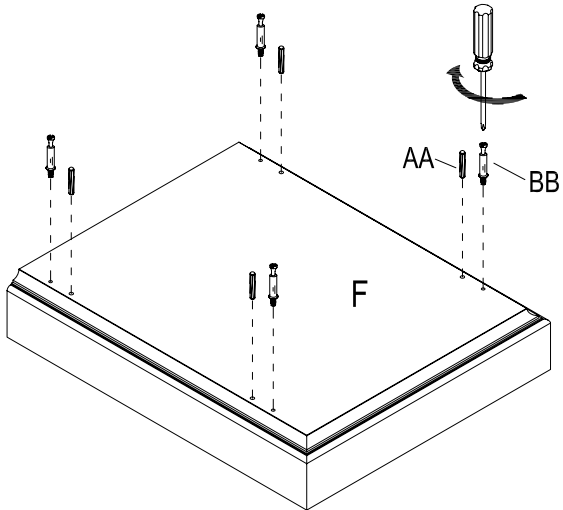
(CC) x 4



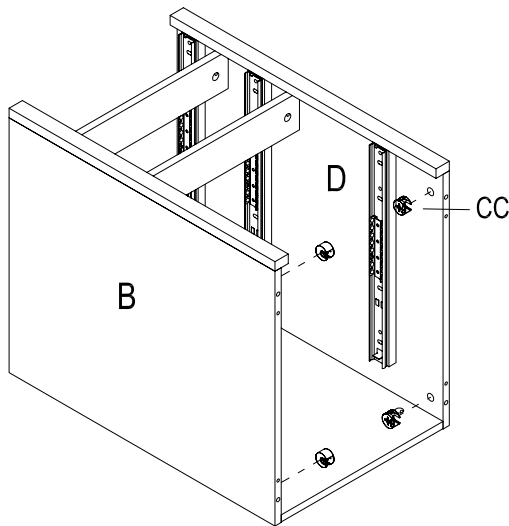
# Assembly (continued)

## 3 Attaching the bottom panel

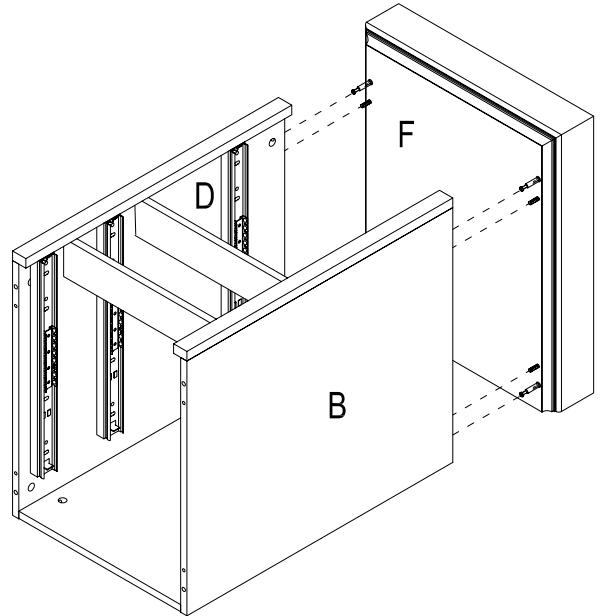
- a) Install dowel (AA) and bolt (BB) into panel (F).



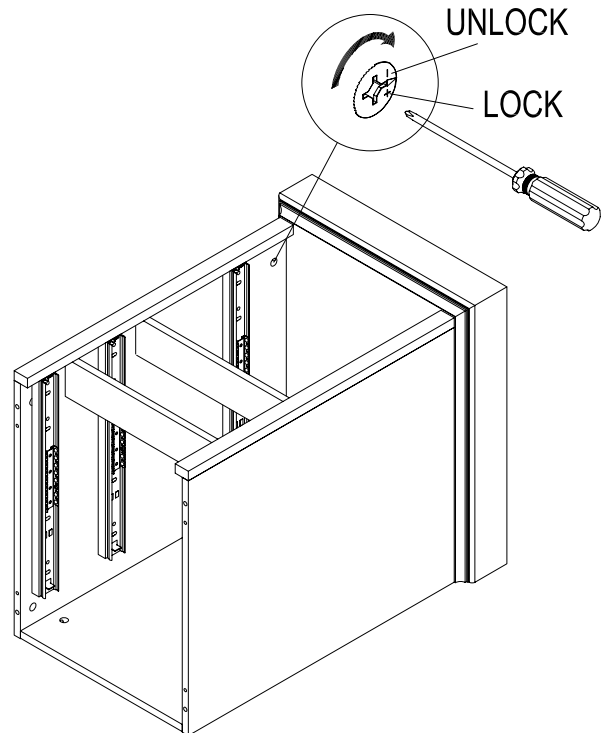
- b) Insert lock (CC) into panel (B) and partition (D).



- c) Join panel (F) to the assembled body with dowel (AA).

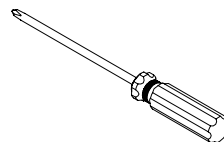
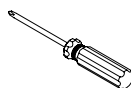
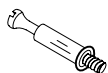


- d) Tighten bolt (BB) with lock (CC) in the pre-drilled holes.



Wood dowel    Cam lock bolt    Cam lock    Small head    Large head

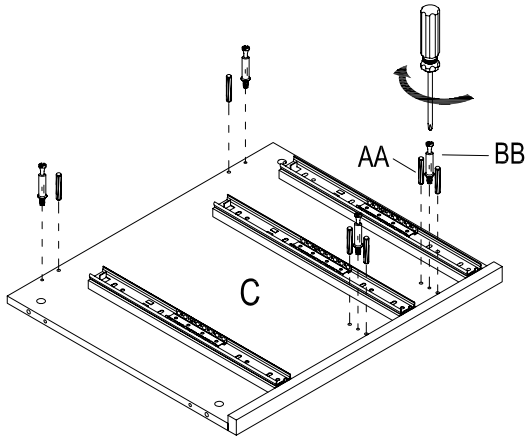
(AA) x 4    (BB) x 4    (CC) x 4



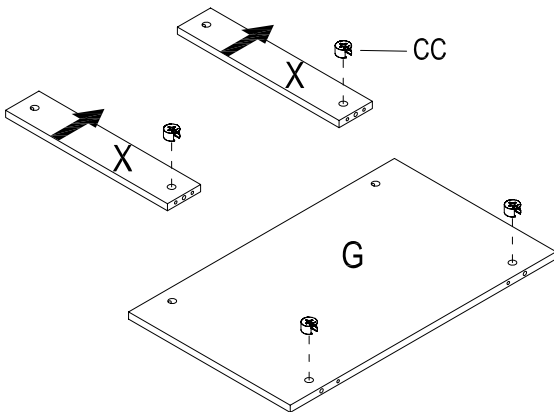
# Assembly (continued)

## 4 Attaching the back panel and front crossbar to the right side panel

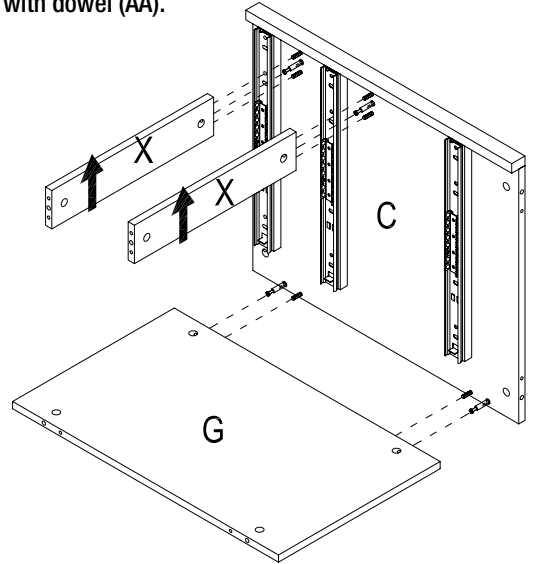
- a) Install dowel (AA) and bolt (BB) into panel (C).



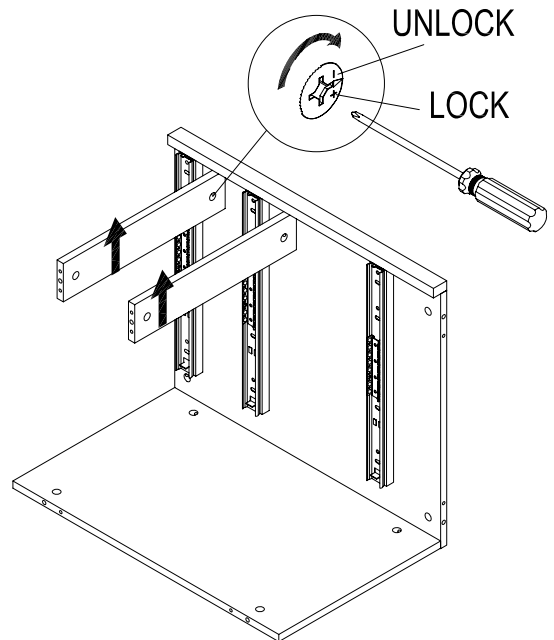
- b) Insert lock (CC) into panel (G) and bar (X).



- c) Join panel (G) and bar (X) to the panel (C) with dowel (AA).



- d) Tighten bolt (BB) with lock (CC) in the pre-drilled holes.



Wood dowel

Cam lock bolt

Cam lock

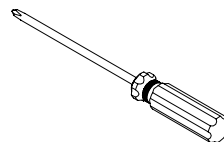
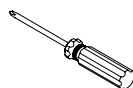
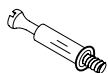
Small head

Large head

(AA) x 6

(BB) x 4

(CC) x 4

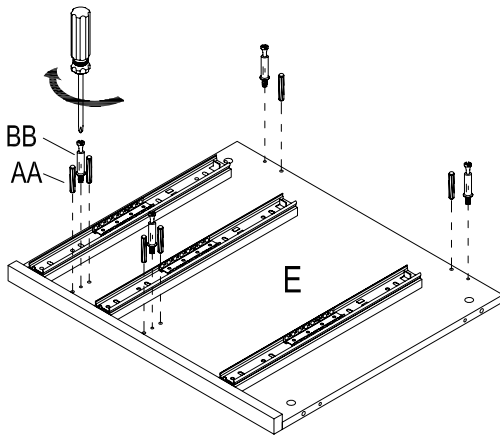




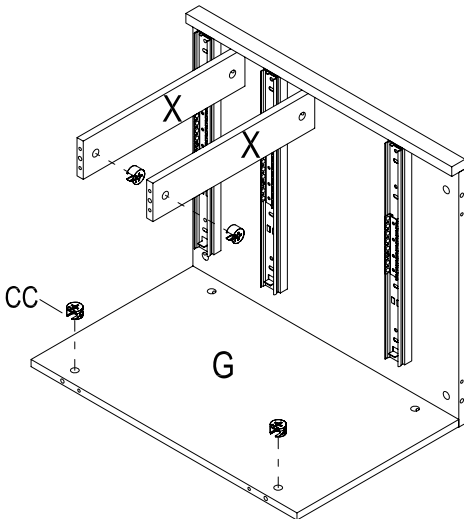
# Assembly (continued)

## 5 Attaching the right partition

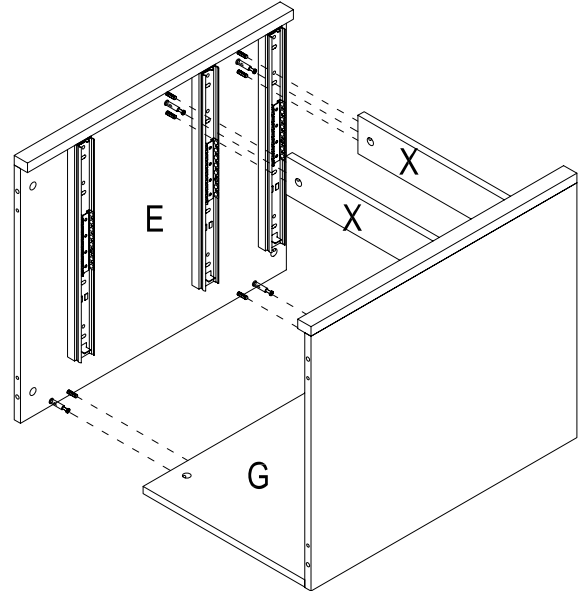
- a) Install dowel (AA) and bolt (BB) into partition (E).



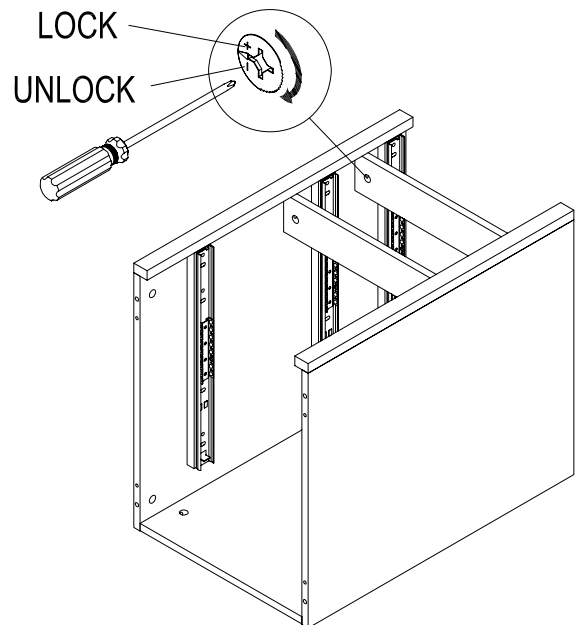
- b) Insert lock (CC) into panel (G) and bar (X).



- c) Join partition (E) to the assembled body with dowel (AA).



- d) Tighten bolt (BB) with lock (CC) in the pre-drilled holes.

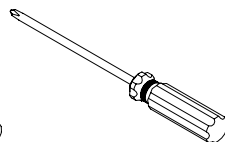
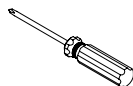
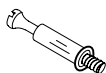


Wood dowel    Cam lock bolt    Cam lock    Small head    Large head

(AA) x 6

(BB) x 4

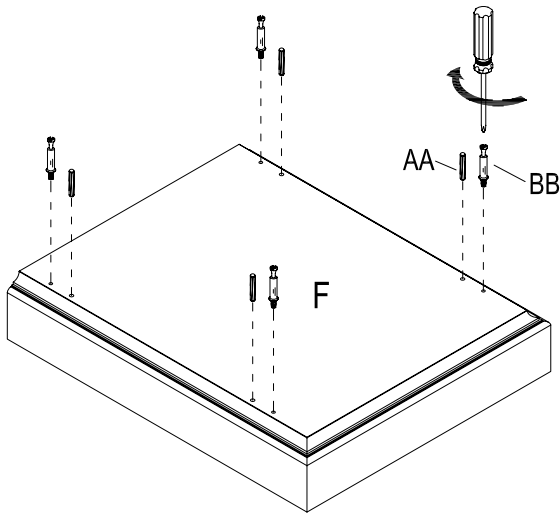
(CC) x 4



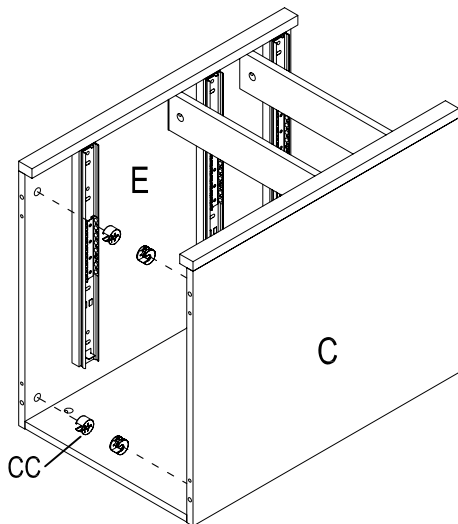
# Assembly (continued)

## 6 Attaching the bottom panel

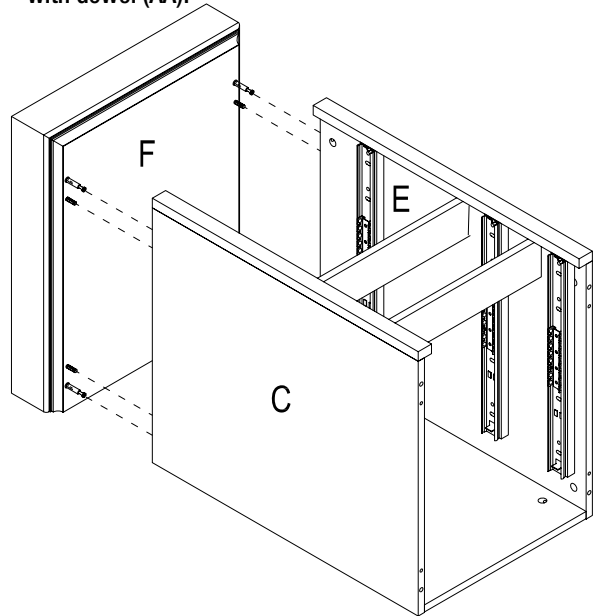
- a) Install dowel (AA) and bolt (BB) into panel (F).



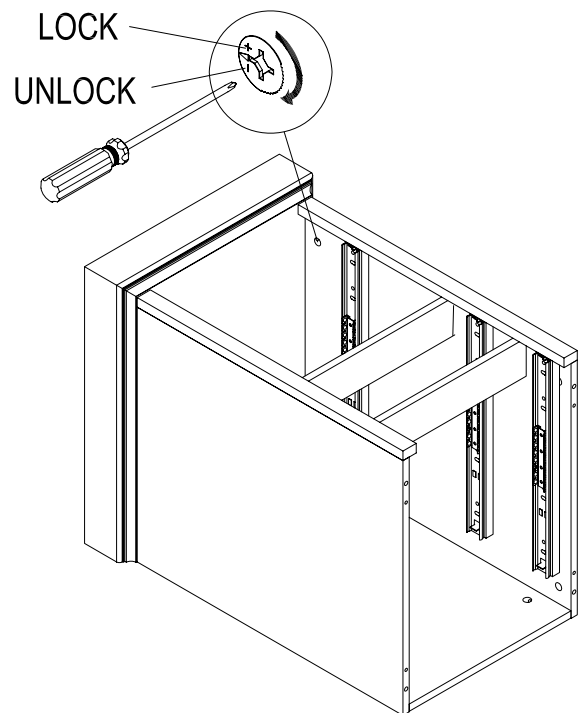
- b) Insert lock (CC) into panel (C) and partition (E).



- c) Join panel (F) to the assembled body with dowel (AA).



- d) Tighten bolt (BB) with lock (CC) in the pre-drilled holes.

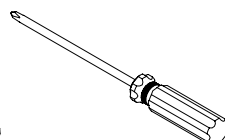
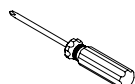
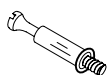


Wood dowel    Cam lock bolt    Cam lock    Small head    Large head

(AA) x 4

(BB) x 4

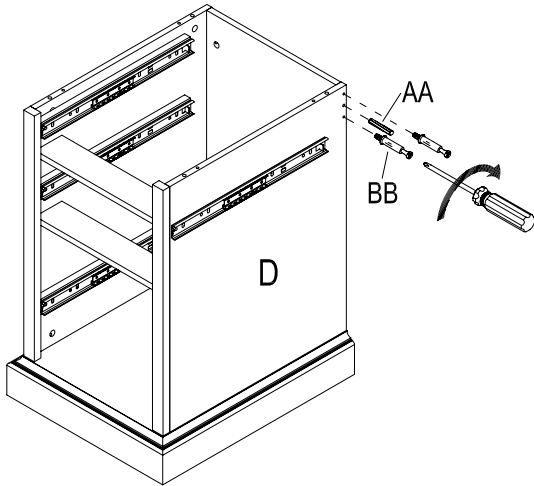
(CC) x 4



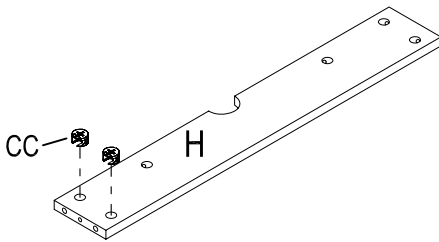
# Assembly (continued)

## 7 Attaching the back crossbar

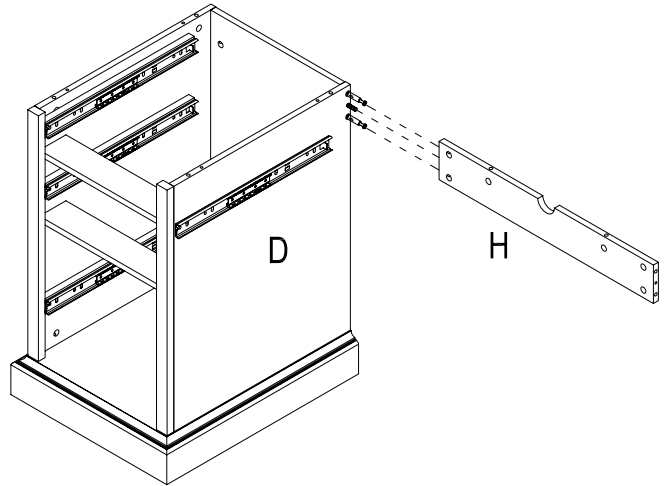
- a) Install dowel (AA) and bolt (BB) into partition (D).



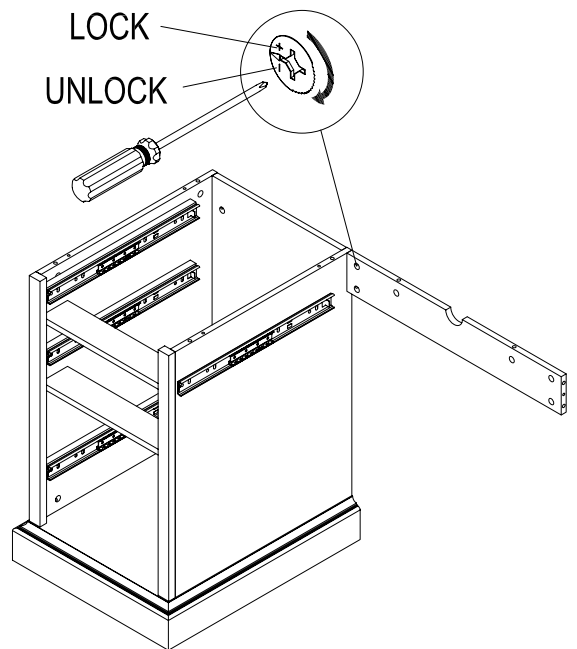
- b) Insert lock (CC) into bar (H).



- c) Join bar (H) to the partition (D) with dowel (AA).



- d) Tighten bolt (BB) with lock (CC) in the pre-drilled holes.

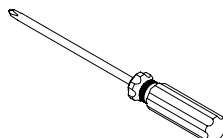
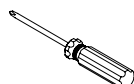
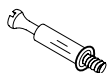


Wood dowel    Cam lock bolt    Cam lock    Small head    Large head

(AA) x 1

(BB) x 2

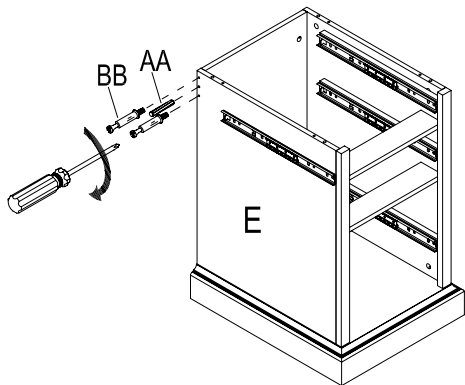
(CC) x 2



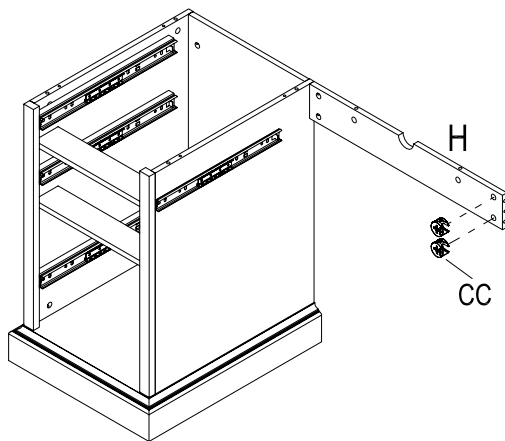
# Assembly (continued)

## 8 Attaching the back crossbar

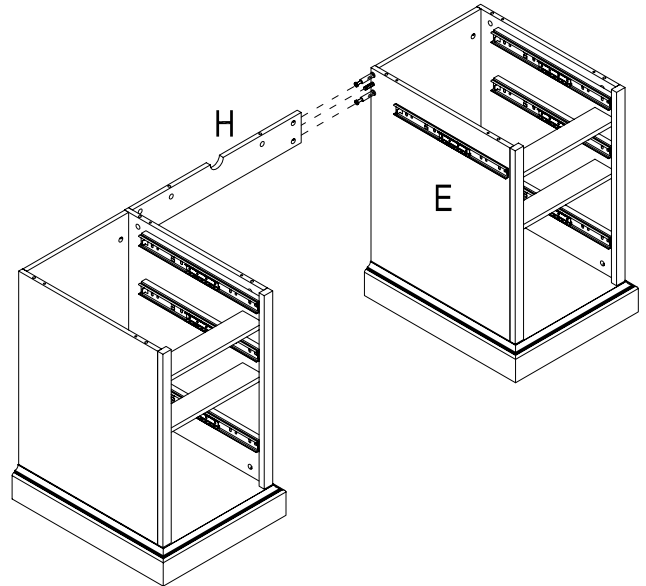
- a) Install dowel (AA) and bolt (BB) into partition (E).



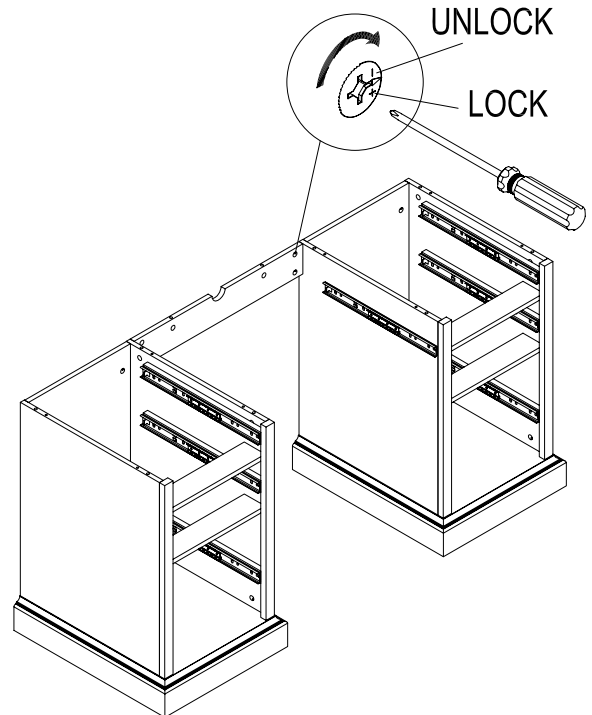
- b) Insert lock (CC) into bar (H).



- c) Join bar (H) to the partition (E) with dowel (AA).



- d) Tighten bolt (BB) with lock (CC) in the pre-drilled holes.

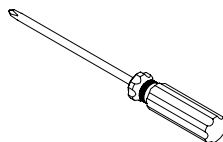
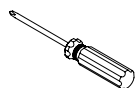
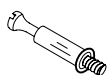


Wood dowel    Cam lock bolt    Cam lock    Small head    Large head

(AA) x 1

(BB) x 2

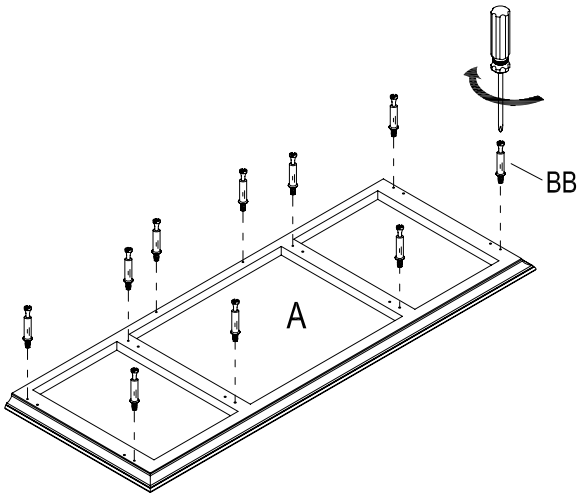
(CC) x 2



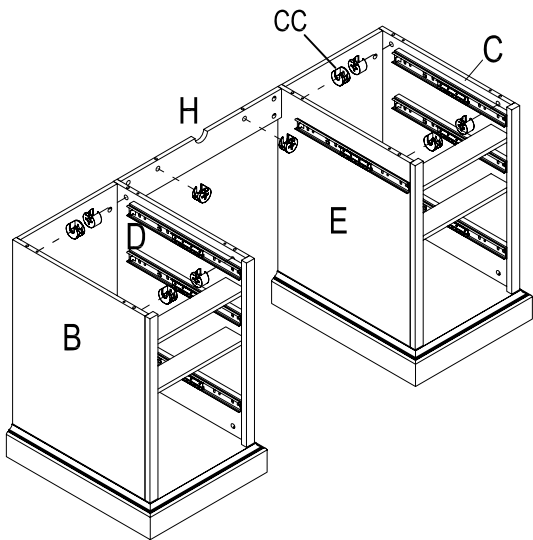
# Assembly (continued)

## 9 Attaching the top panel

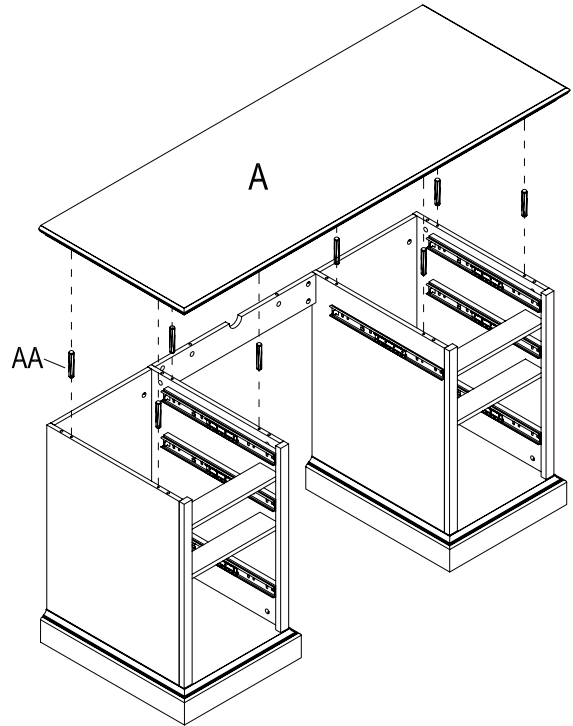
- a) Install bolt (BB) into panel (A).



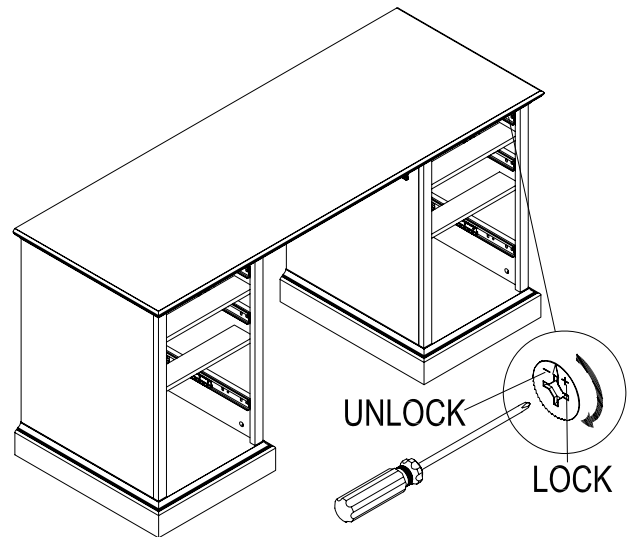
- b) Insert lock (CC) into panels (B) and (C), and partitions (D) and (E), and bar (H).



- c) Join panel (A) to the assembled body with dowel (AA).



- d) Tighten bolt (BB) with lock (CC) in the pre-drilled holes.



Wood dowel

Cam lock bolt

Cam lock

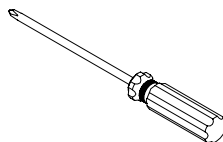
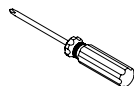
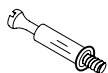
Small head

Large head

(AA) x 8

(BB) x 10

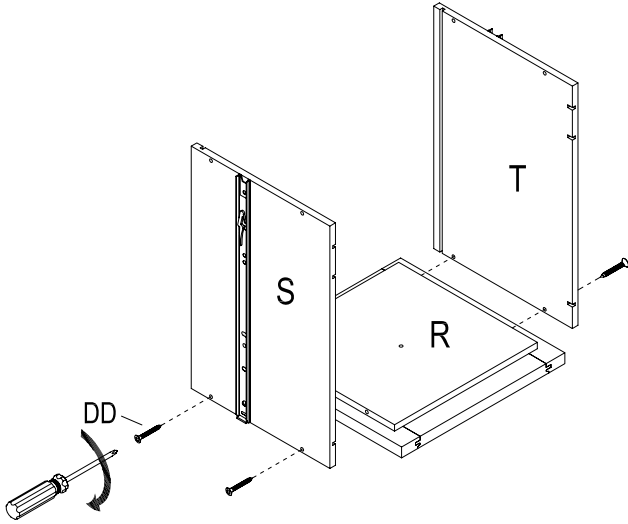
(CC) x 10



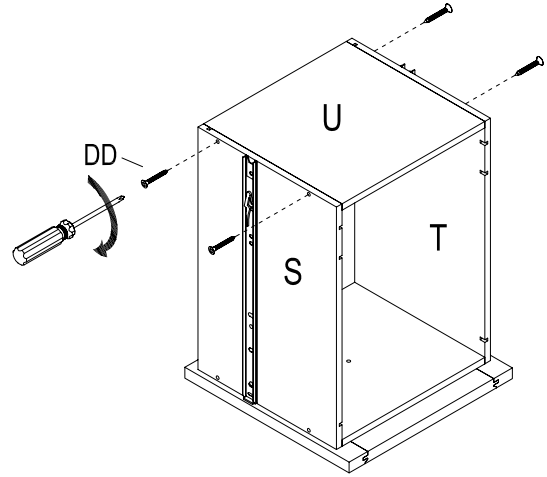
# Assembly (continued)

## 10 Assembling the bottom drawer

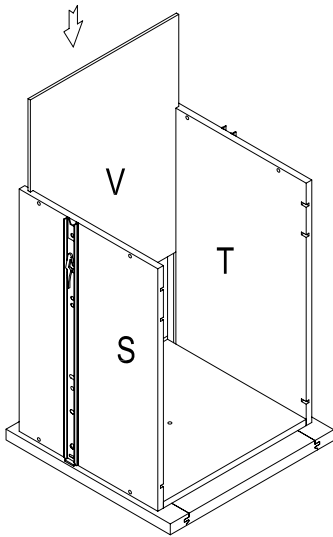
- a) Tighten panels (S) and (T) to panel (R) with screw (DD).



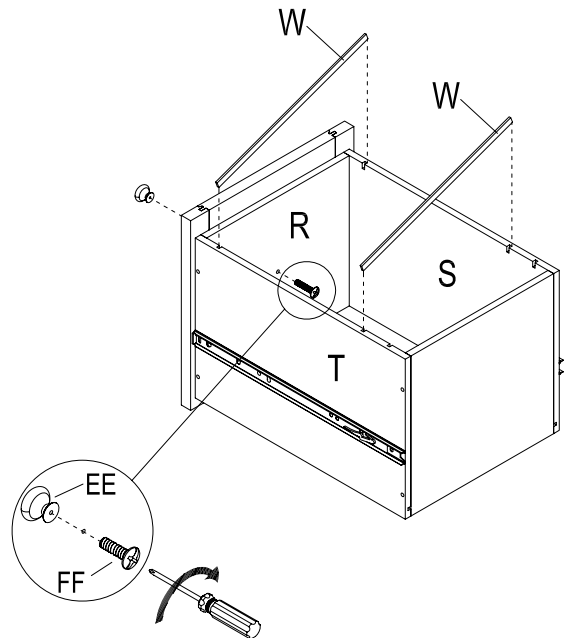
- c) Tighten panel (U) to the assembled body with screw (DD).



- b) Slide panel (V) into the grooves panels (S) and (T).



- d) Tighten knob (EE) to panel (R) with bolt (FF). Insert metal bar (W) into panels (T) and (S).

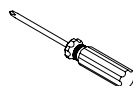


Knob      Bolt      1 in. Flat head screw      Small head

(EE) x 2

(FF) x 2

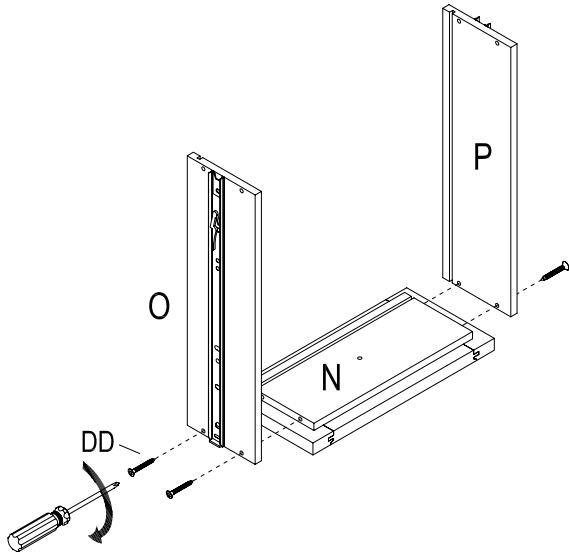
(DD) x 16



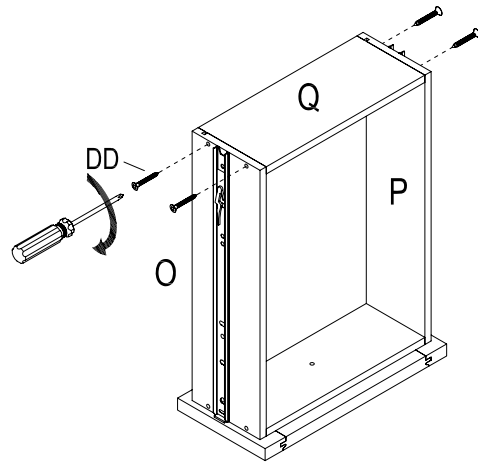
# Assembly (continued)

## 11 Assembling the middle drawer

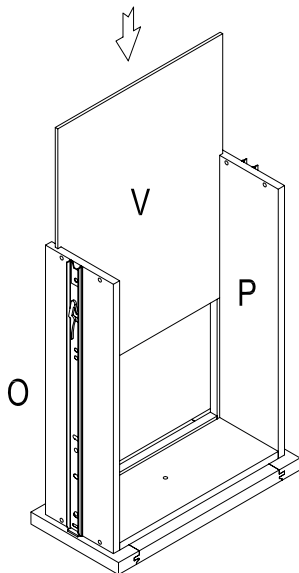
- a) Tighten panels (O) and (P) to panel (N) with screw (DD).



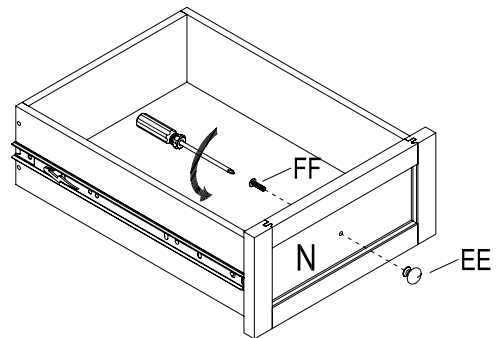
- c) Tighten panel (Q) to the assembled body with screw (DD).



- b) Slide panel (V) into the grooves panels (O) and (P).



- d) Tighten knob (EE) to panel (N) with bolt (FF).

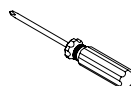


Knob      Bolt      1 in. Flat head screw      Small head

(EE) x 2

(FF) x 2

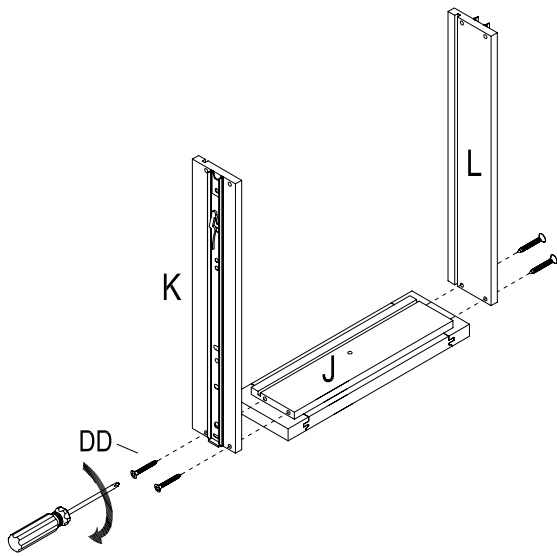
(DD) x 16



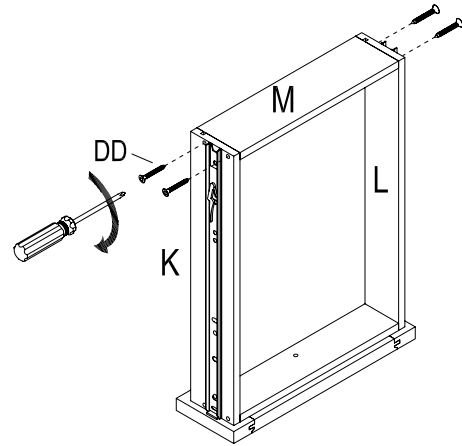
# Assembly (continued)

## 12 Assembling the top drawer

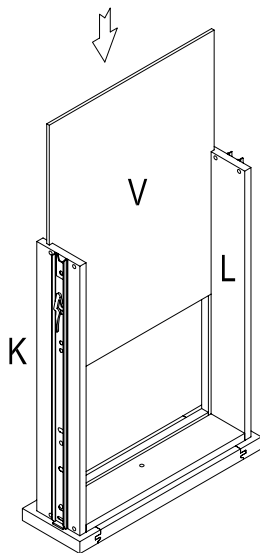
- a) Tighten panels (K) and (L) to panel (J) with screw (DD).



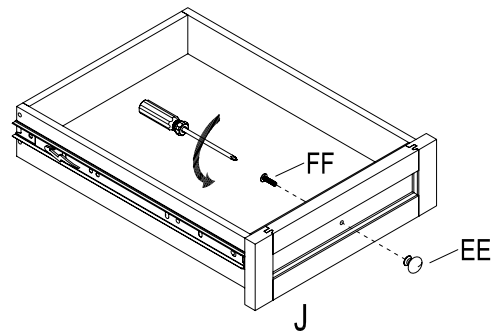
- c) Tighten panel (M) to the assembled body with screw (DD).



- b) Slide panel (V) into the grooves panels (K) and (L).

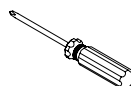


- d) Tighten knob (EE) to panel (J) with bolt (FF).



Knob                  Bolt                  1 in. Flat head screw                  Small head

(EE) x 2                  (FF) x 2                  (DD) x 16

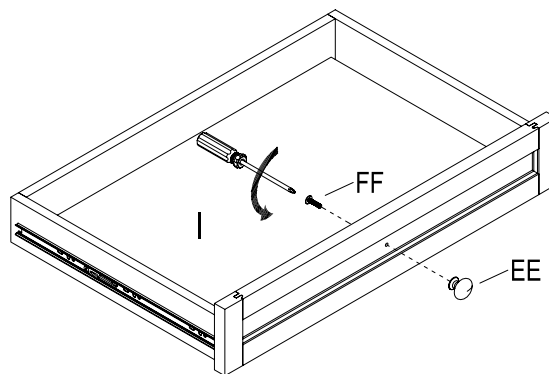




## Assembly (continued)

# 13 Assembling the assembled drawer

- Tighten knob (EE) to assembled drawer (I) with bolt (FF).



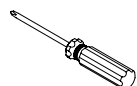
Knob

Bolt

Small head

(EE) x 1

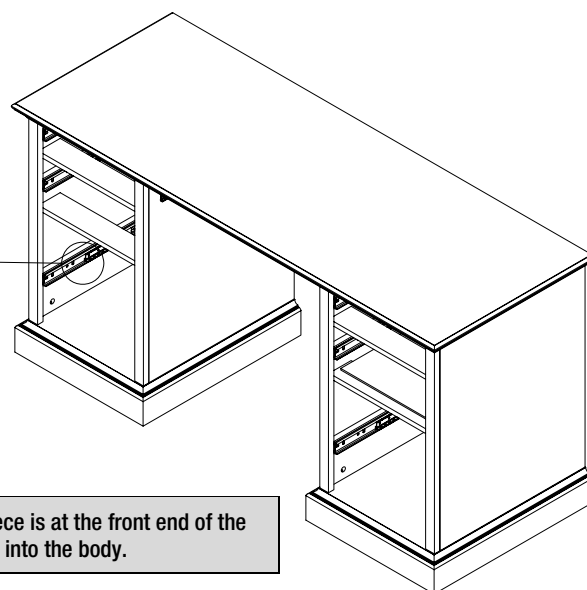
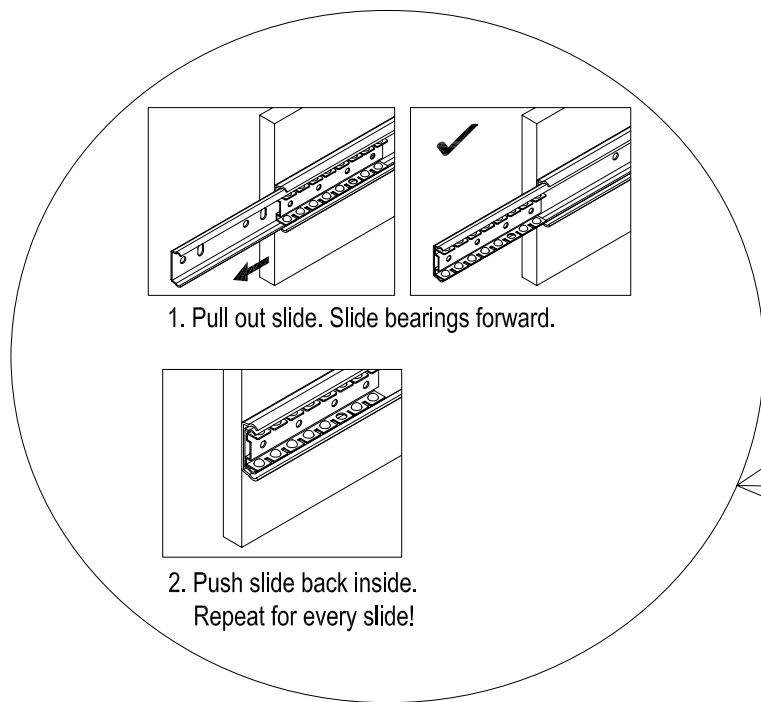
(FF) x 1



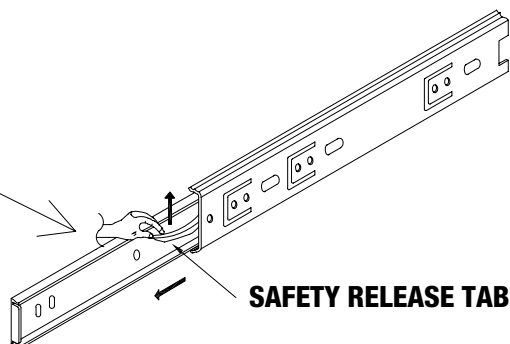
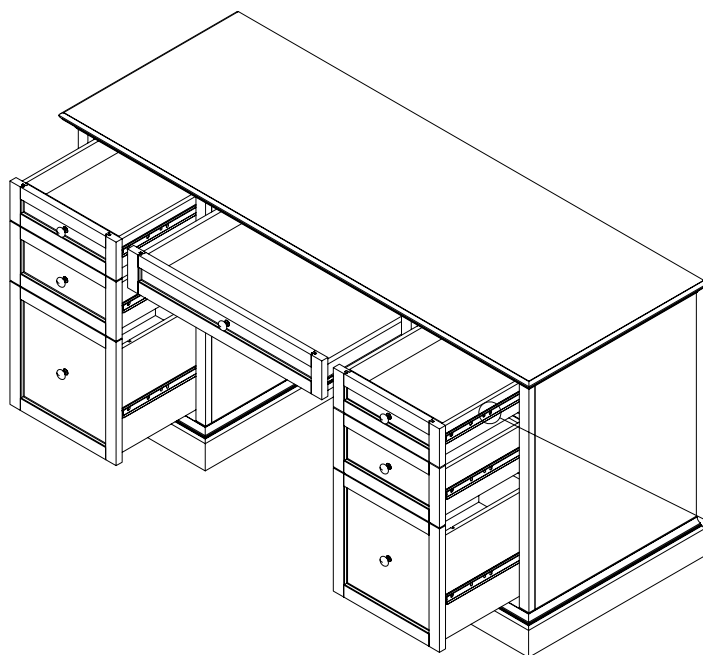
## Assembly (continued)

# 14 Inserting the drawer

- Insert the drawer into the assembled body as shown.



**NOTE:** Make sure the slide piece is at the front end of the glide when installing the drawer into the body.

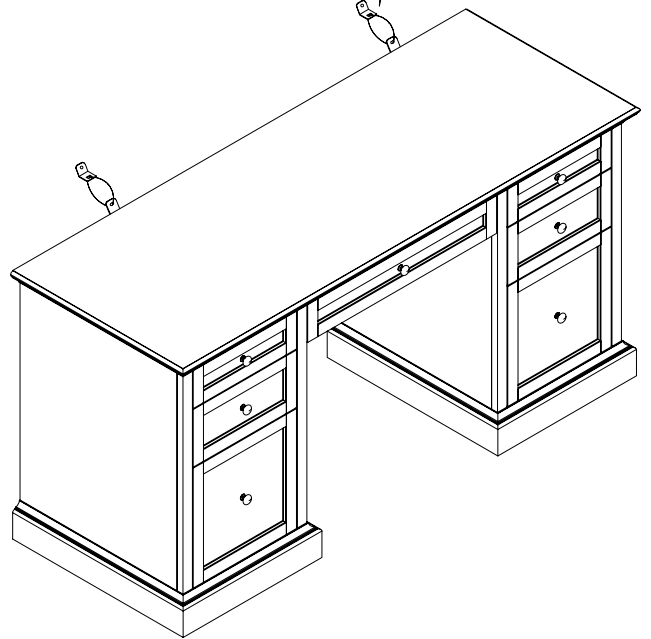
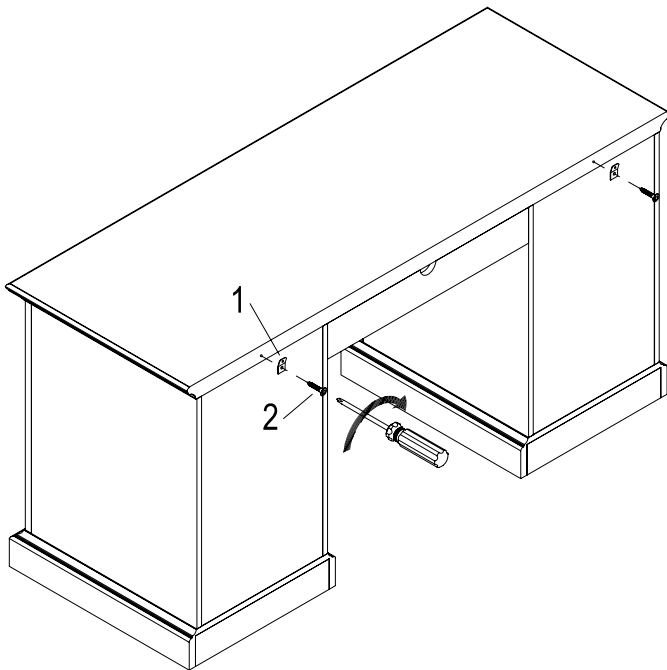
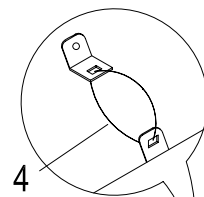
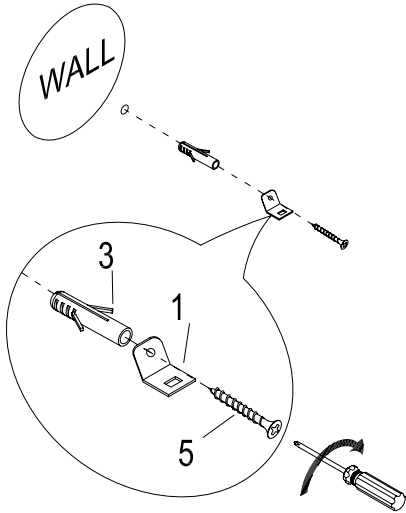


**NOTE:** When removing the drawer, tip-up the safety release tab to remove the drawer from the body.

# Assembly (continued)

## 15 Finalizing the assembly

- Install the anti-tipping hardware as shown.



Rectangle metal plate  
(1) x 4



1/2 in. Flat head screw  
(2) x 2



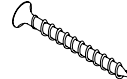
Plastic anchor  
(3) x 2



Plastic band  
(4) x 2

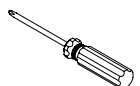


1-1/2 in. Flat head screw  
(5) x 2



Small head

GG



HOME  
DECORATORS  
COLLECTION®

Questions, problems, missing parts?  
Before returning to the store, call Home Decorators Collection Customer Service.  
8 a.m. – 7 p.m., EST, Monday – Friday, 9 a.m. – 6 p.m., EST, Saturday

**1-800-998-7021**

**[HOMEDEPOT.COM/HOMEDECORATORS](https://www.homedepot.com/homedecorators)**

Retain this manual for future use.