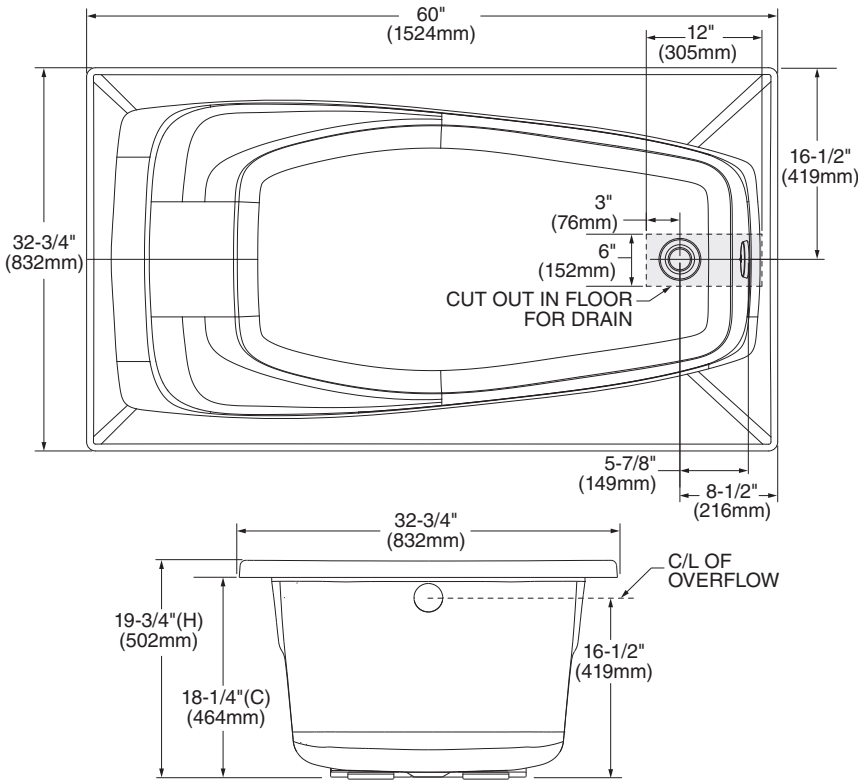


# INSTALLATION INSTRUCTIONS

## 2732 SERIES BATHING POOL



■ DIMENSIONS OF FIXTURES ARE NOMINAL AND MAY VARY WITHIN THE RANGE OF TOLERANCES ESTABLISHED BY ANSI STANDARDS CSA B45.5/IAPMO Z124.

### THANK YOU...

for selecting an American Standard bath. Your new bath is shipped to you after careful inspection.

For product quality or installation issues, we would like to hear from you. Please do not hesitate to call American Standard at 800-442-1902.

### List of Optional Components (not included and sold separately):

- Tile Bead Kit 751755-100
  - helpful when installing in an alcove with tile walls
- Apron Kit 9260.018
  - Acrylic apron/skirt for alcove installation

### List of Required Components (not included):

- Drain 1599.500.020 Deep Soak (recommended)
  - White finish
- Wall-mounted tub or tub/shower faucet

### List of Required Tools and Supplies:

#### Tools

- Level
- Tape Measure
- Pipe Wrench
- Slip Joint Pliers
- Screw Driver
- Standard Woodworking Tools
- Personal Safety Equipment
- Caulking Gun

#### Supplies

- Nails
- Putty
- Caulking (waterproof)
- 1 x 4 Stringers
- Drop Cloth
- Cement, Plaster, Grout

### GENERAL SPECIFICATIONS FOR 2732 BATHING POOL

INSTALLED SIZE	60 x 32-3/4 x 19-3/4 In. (1524 x 832 x 502mm)
WEIGHT	55 Lbs. (25 Kg.)
WEIGHT w/WATER	524 Lbs. (237 Kg.)
GAL. TO OVERFLOW	55 Gal. (208 L.)
BATHING WELL AT SUMP	42-5/8 x 19-1/4 In. (1082mm x 489mm)
BATHING WELL AT RIM	52 x 26-1/2 In. (1321mm x 673mm)
WATER DEPTH TO OVERFLOW	13-3/4 In. (350mm)
FLOOR LOADING (PROJECTED AREA)	43 Lbs./Sq. Ft. (213 Kgs/Sq. m.)

### GENERAL INSTALLATION INFORMATION

Carefully uncrate and inspect your new bath for any shipping damage. If such damage is found, report it immediately. After inspection and during installation, protect the bath from construction damage using a drop cloth. **Before installation, and before enclosing with wallboard, tile, etc., the bath must be filled with water to check for leaks that may have resulted from shipping damage or mishandling!** Fittings (bath filler, shower arm, drain, etc.) are not provided with the bath and must be ordered separately. Framing and enclosing materials are provided by others.

**NOTE: Deck-mounted fittings are not recommended.**

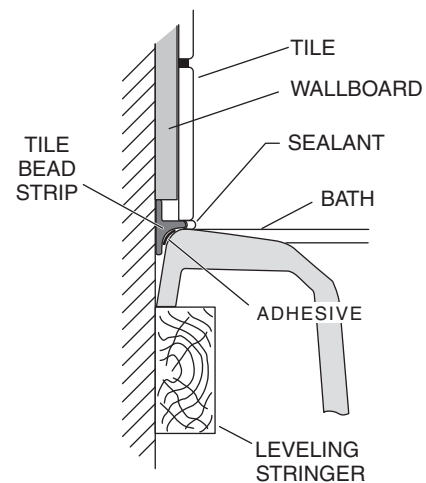
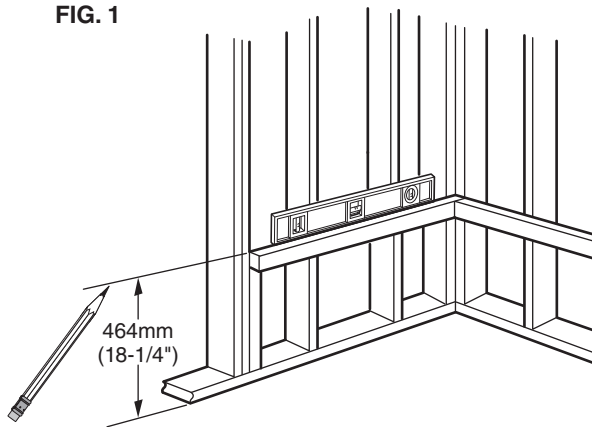
FOR AFTER-SALES SERVICE CALL 1 (800) 442-1902

## INSTALLATION AND FRAMING INSTRUCTIONS

The variety of installations possible for this whirlpool may require framing procedures other than those shown. Locate studs as required. Ensure roughing-in dimensions are proper, plumb and square. It is strongly recommended that an additional opening be provided for access to the drain components.

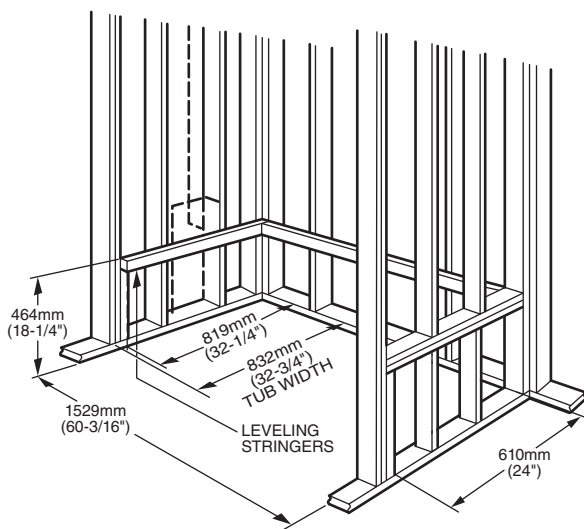
1. As shown in Fig. 1, mark the position of the underside of the deck by tracing a line onto the studs at the height indicated, using a level or other suitable straight edge.
2. With the top of the 2 x 4 stringer touching the traced line, attach the stringer to the studs.
3. Install drain components to the tub following the manufacturers instructions. Before replacing your tub for final installation, be certain that an opening has been provided in the sub-floor for the drain. See the roughing-in drawing for suggested opening size and location dimensions.
4. This bath must be supported along its entire bottom in all types of installations. Use mortar or plaster as bedding material (sand is not recommended). Apply enough bedding to support the complete bottom of the bath. After the bedding has been poured, and before it sets, lower the bath into place until the rim is leveled against the leveling stringers (see "Typical Installation Methods"). The rim of the bath **MUST NOT** support weight. Allow the bedding material to completely harden before applying weight to the rim or bottom of the bath. Any finish material such as tile or wall board must be self-supporting if it contacts the deck of the bath.

FIG. 1

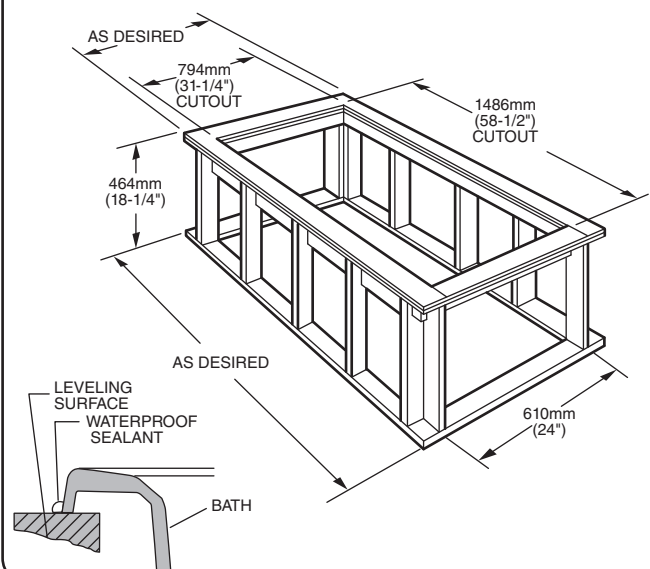


**NOTE:** Tile bead kit not included and must be purchased separately.

### TYPICAL RECESS INSTALLATION



### TYPICAL PIER TYPE INSTALLATION



## AFTERCARE and CLEANING

- Always fill the tub with temperate water. Excessively hot water may cause surface damage
- Remove bath mat after use and hang to dry. Allowing bath mat to dry in the tub may cause surface damage.
- Clean after use with a mild liquid household detergent cleaner. Do not use Lestoil, Lysol Disinfectant (spray or concentrate), or Lysol Basin, Tub and Tile Cleaner, Windex, Mr. Clean, Dow Disinfectant Bathroom Cleaner, or cleaning products in aerosol cans.

## HARSH CHEMICALS SHOULD NEVER BE USED ON ACRYLIC SURFACES.

- Do not use wire brushes, knives or sharp objects to remove stains, cigarette tar deposits, or other surface blemishes.
- Abrasive cleaners or powders must not be used, since they will dull the surface. If the glossy surface loses its sheen, dulled areas can be restored by rubbing with a white "automotive type" polishing compound and waxing with a "liquid wax."
- **Do not wax areas where you walk or stand.**
- Do not allow nail polish remover, acetone, dry cleaning fluid, paint remover or other solvents to come into contact with the surface.
- Clean the surrounding surface immediately after using caustic drain cleaners.
- Burning cigarettes will damage the surface.
- Should damage to the fixture occur, repairs can be made quickly and easily.

### AS AMERICA, INC. (AMERICAN STANDARD) LIMITED LIFETIME WARRANTY FOR RENAISSANCE® ACRYLIC TUB and EVERCLEAN® / EVOLUTION® ACRYLIC WHIRLPOOLS

AS America ("American Standard") warrants to the original consumer purchaser that it will, at its option, repair or replace this whirlpool or any of its parts that are found by American Standard, in its sole judgment, to be defective under normal residential use and maintenance so long as it is owned by the original consumer purchaser.

THIS WARRANTY SHALL BE VOID IF THE ACCESS PANEL TO THE WHIRLPOOL IS COVERED IN ANY MANNER CONTRARY TO THE INSTALLATION INSTRUCTIONS. In no event will American Standard be liable for the cost of repair or replacement of any installation materials including but not limited to tiles, marble etc.

This limited warranty DOES NOT COVER the following:

1. Defects or damages arising from shipping, installation, alterations, accidents, abuse, misuse, lack of proper maintenance and cleaning as directed in the owner's manual and use of other than genuine American Standard replacement parts, in all cases whether caused by a plumbing contractor, service company, the owner or any other person.
2. Deterioration through normal wear and tear and the expense of normal maintenance.
3. Commercial application.
4. Options and accessories. American Standard's limited warranty on these items is one year for parts only and excludes labor. This one year limited warranty covers accessories manufactured by American Standard (e.g. aprons, drains, grab bars, heaters, trim kits) against defects of material or workmanship. Warranty coverage begins on the date the accessory was originally purchased by the owner.
5. Postage or shipping costs for returning products for repairs or replacement under this limited warranty and labor or other costs incurred in connection with product removal or installation under this limited warranty.
6. ANY LIABILITY FOR CONSEQUENTIAL OR INCIDENTAL DAMAGES, ALL OF WHICH ARE HEREBY EXPRESSLY DISCLAIMED, OR THE EXTENSION BEYOND THE DURATION OF THIS LIMITED WARRANTY OF ANY IMPLIED WARRANTIES, INCLUDING THOSE OF MERCHANTABILITY OR FITNESS FOR AN INTENDED PURPOSE. (Some jurisdictions do not allow limitations on how long an implied warranty lasts, or the exclusion or limitation of incidental or consequential damages, so these limitations and exclusions may not apply to you.)
7. Responsibility for compliance with local code requirements. (Since local code requirements vary greatly distributors, retailers, dealers, installation contractors and users of plumbing products should determine whether there are any code restrictions on the installation or use of a specific product.)

This warranty gives you specific legal rights. You may have other legal rights that vary from state to state. For service under this warranty, you should contact the following:

**In the United States:**  
American Standard Brands  
P.O. Box 6820  
Piscataway, New Jersey 08855  
Attention: Director of Consumer Affairs

For residents of the United States, warranty information may also be obtained by calling the following toll free number: (800) 442-1902  
[www.americanstandard.com](http://www.americanstandard.com)

**In Canada:**  
AS Canada ULC  
5900 Avebury Rd.  
Mississauga, Ontario  
Canada L5R 3M3

Toll Free: (800) 387-0369  
[www.americanstandard.ca](http://www.americanstandard.ca)

**In Mexico:**  
American Standard B&K Mexico  
S. de R.L. de C.V.  
Via Morelos #330  
Col. Santa Clara  
Ecatepec 55540 Edo. Mexico  
Toll Free: 01-800-839-1200  
[www.americanstandard.com.mx](http://www.americanstandard.com.mx)