

# Window Shutters

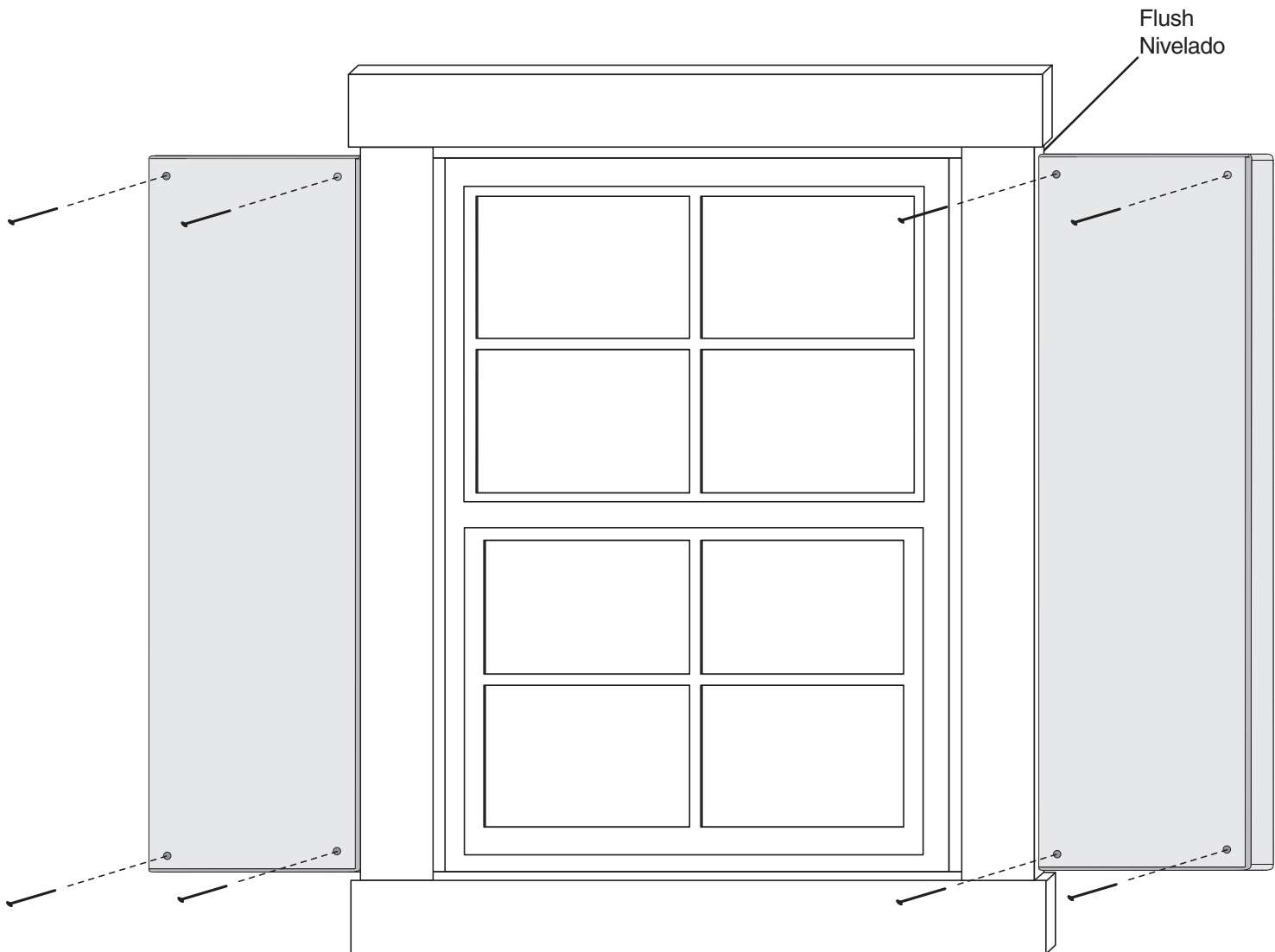
An easy and attractive way to dress up your windows

1-800-437-0784

#16725

## PARTS LIST

1 pair of shutters  
8 mounting screws



1. Center shutters vertically against trim  
1. Centro verticalmente contra moldura

2. Fasten with screws provided at pre-marked locator points.  
**DO NOT OVERTIGHTEN!**  
2. Abroche con tornillos proporcionados en puntos pre-  
marcados de localizador  
**NO APRIETE DEMASIADO!**

**NOTE: The building needs to be painted per instructions and warranty before installing the shutters on the building. The shutters MUST be painted before installation per building specifications**

**NOTA: El edificio se debe pintar según instrucciones antes de instalar los postigos. Pinte los postigos antes de la instalación por especificaciones de edificio**