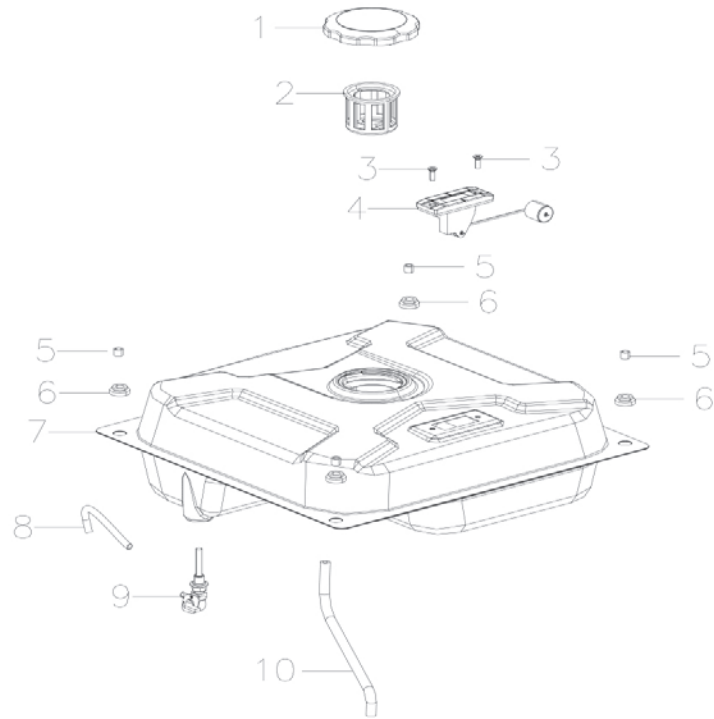
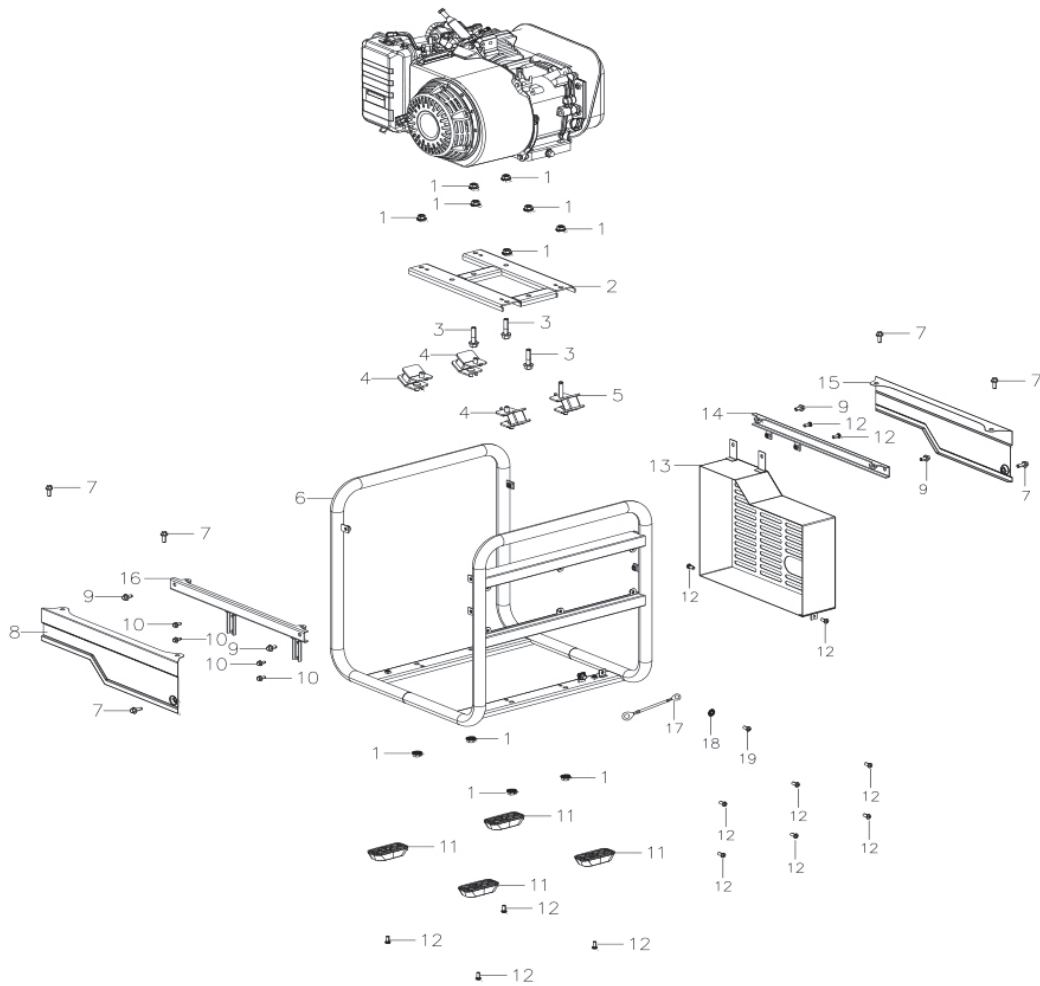


FUEL TANK



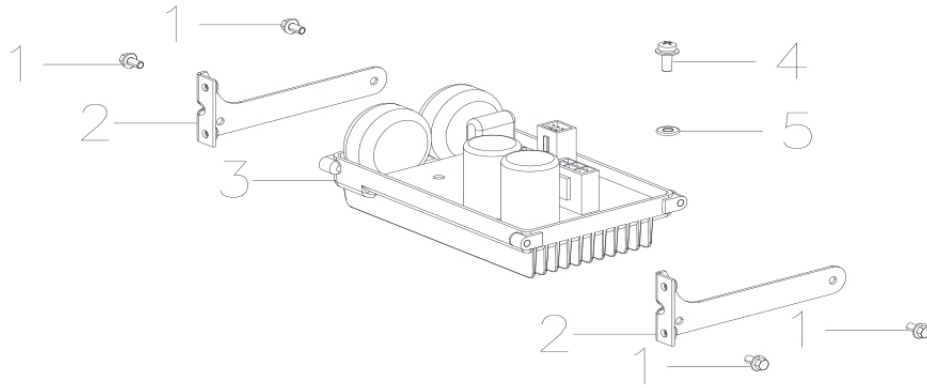
No.	Part No.	Description	Qty
1	2467420022	Cap of Fuel Tank	1
2	2467320016	Fuel Tank Filter	1
3	301030563	Cross Recessed Countersunk Head Screw,Class 4.8 GBT819_1-M5X14	2
4	2466520012	Squre Shape Oil Meter	1
5	2466530023	Absorbing Bushing of Fuel Tank	4
6	2466530022	Rubber Absorber of Fuel Tank	4
7	2467320032	Fuel Tank	1
8	408010004	Fuel Hose 5-10-300	1
9	2467320012	Fuel Cock	1
10		Fuel Hose 4-8	1

SHELL



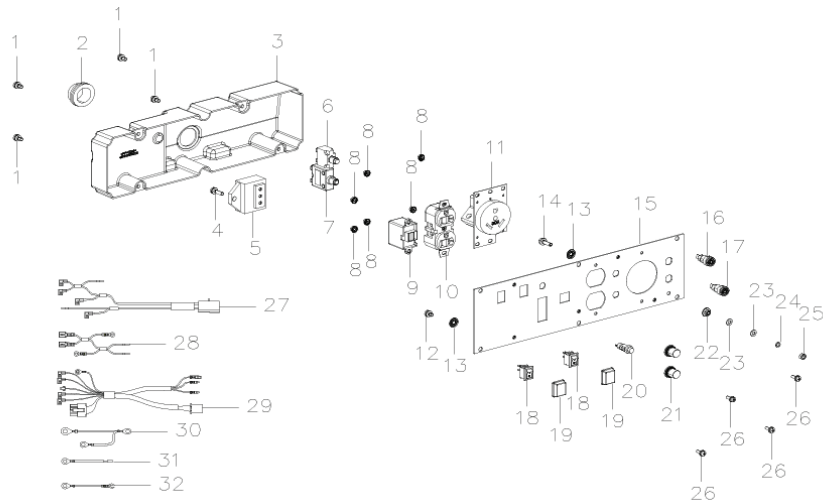
No.	Part No.	Description	Qty
1	301020221	Hexagon Nut with Serrated Flange M8	11
2	2467320005	Engine Bracket	1
3	301010490	Hexagon Flange Bolt ,Heavy Series Class B 8.8 M8X35	3
4	2467320015	Absorber II	3
5	2467320014	Absorber I	1
6	2467320001	Genset Frame	1
7	301010013	Hexagon Flange Bolt ,Small Series Class 8.8 M6X16	6
8	2467330015	Right Plate	1
9	301010012	Hexagon Flange Bolt ,Small Series Class 8.8 M6X12	5
10	301010001	Hexagon Flange Bolt ,Small Series Class 8.8 M5X10	4
11	2465220011	Vibration Absorber	4
12	301030857	Cross Recessed Pan Head Screws, M5X12	14
13	2467320004	Muffler Cover	1
14	2467320003	Fixed Rod of Fuel Tank II	1
15	2467330014	Left Plate	1
16	2467320002	Fixed Rod of Fuel Tank I	1
17	2467420040	Earth Wire of Genset Frame	1
18	301080090	Lock Gasket φ6	2
19	301030475	Cross Recessed Pan Head Screws, M6X12	2

INVERTER



No.	Part No.	Description	Qty
1	301010001	Hexagon Flange Bolt ,Small Series Class 8.8 GBT16674_1-8_8- M5X10	4
2	2467320006	Inverter Holder	2
3	2467320011	Inverter	1
4	301060369	Cross Recessed Pan Head Screws , Spring Washer and Flat Washer Assembly M5X8	1
5	301080089	Lock Gasket	1

CONTROL PANEL



No.	Part No.	Description	Qty
1	301060370	Cross Recessed Pan Head Screws , Spring Washer and Flat Washer Assembly M5X10	4
2	2467330025	Rubber Sleeve of Wire Harness	1
3	2467330023	Panel Box	1
4	301060376	Cross Recessed Pan Head Screws , Spring Washer and Flat Washer Assembly M5X18	1
5	2467320013	Speed Limiting Governor	1
6	403210164	Overload Protector 88 Series 20A	1
7	403210173	Overload Protector 98 Series 30A	1
8	301020218	Hexagon Nut with Serrated Flange M4	6
9	403010010	Voltage Regulator (Double Output)	1
10	403030005	American Double Socket	1
11	403030193	RV Socket(unfilled corner)	1
12	301060369	Cross Recessed Pan Head Screws , Spring Washer and Flat Washer Assembly M5X8	4
13	301080089	Lock Gasket φ5	4
14	301010468	Hexagon Flange Bolt ,Heavy Series Class B 8.8 M5X16	1
15	2467320024	Control Panel	1
16	403030015	Safe Type Control Panel Socket(Red)	1
17	403030020	Safe Type Control Panel Socket(Black)	1
18	402150026	Boat Switch(Opposite Direction)	2
19	402150010	Water-Proof Cap of Boat Switch	2
20	402150007	Reset Switch (Stripline)	1
21	403210004	Water-Proof Cap of Overload Protector	2
22	301020219	Hexagon Nut with Serrated Flange M5	1
23	301080101	Flat Washer Class A φ5	2
24	301080046	Standard Type Spring Washer φ5	1
25	301020236	Hexagon Nut Type 1 Class 8 M5	1
26	301060010	Cross Recessed Pan Head Screws , Spring Washer and Flat Washer Assembly M4X12	4
27	2467320025	Wiring Harness of AC Socket (RV Parallel)	1
28	2467320026	Wiring Harness of AC Socket (5-20R)	1
29	2467320017	Control Wiring Harness of Speed Limiting Governor	1
30	2467320018	Earth Wire of Control Panel	1
31	2460720008	Earth Wire of Socket	1
32	2461220016	Earth Wire of Socket	1