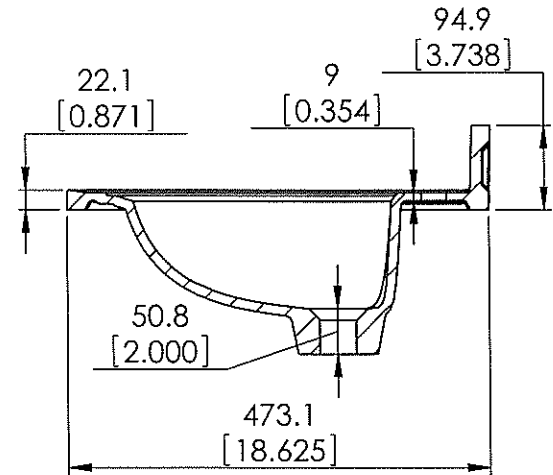
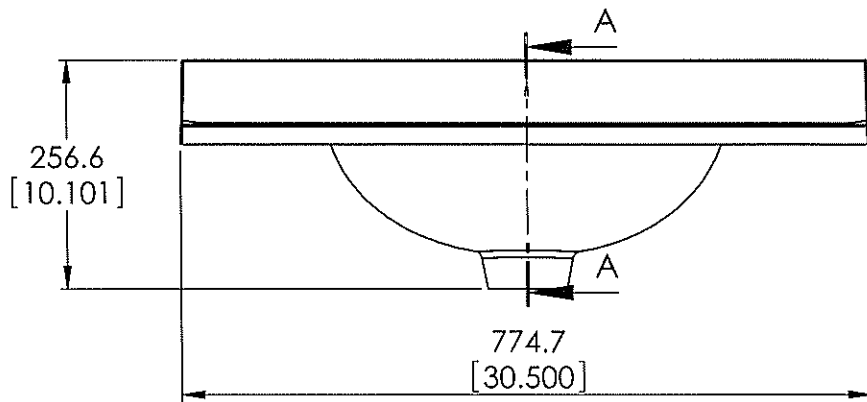
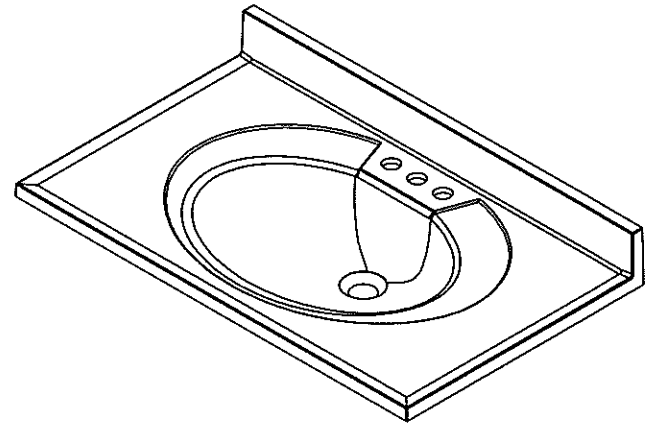
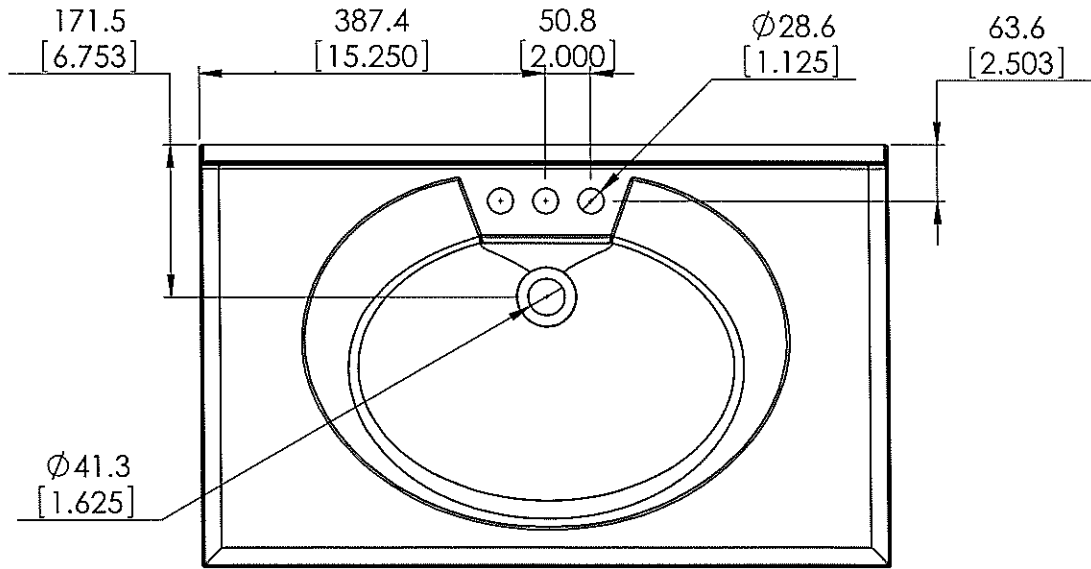


DRAWING TYPE	ITEM ID	ITEM DESCRIPTION	DRAWING STATUS
FINISH GOOD	595044	AB LITE / WHITE	READY FOR PRODUCTION

REVISION #	DATE	CHANGE	APROVAL
0	12/2/13	NEW SHEET FORMAT	R. CAZAREZ
1			
2			
3			
4			



PROPRIETARY AND CONFIDENTIAL
 THE INFORMATION CONTAINED HEREIN IS THE SOLE PROPERTY OF WOODCRAFTERS. ANY REPRODUCTION IN PART OR AS A WHOLE WITHOUT THE WRITTEN PERMISSION OF WOODCRAFTERS IS PROHIBITED.

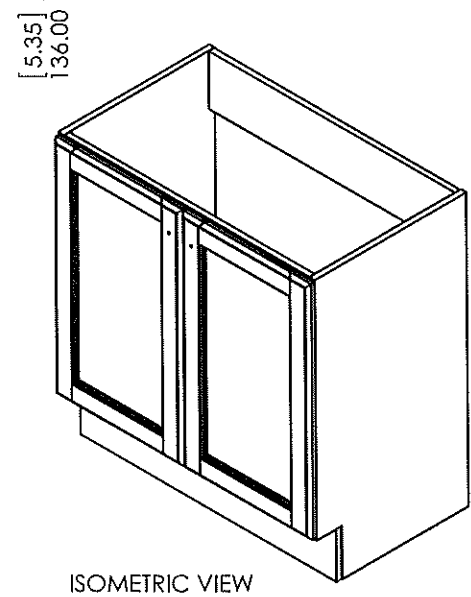
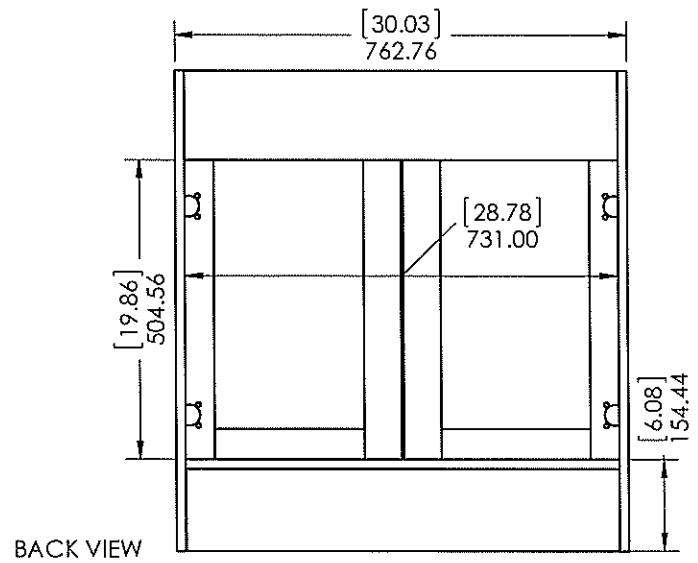
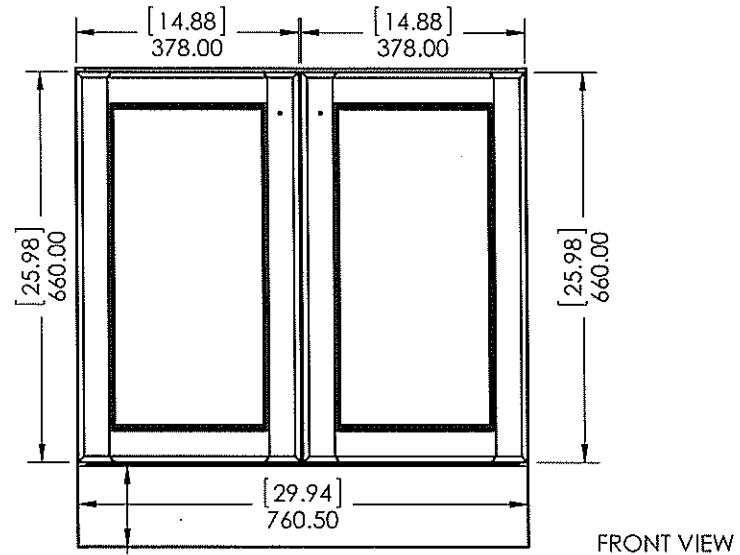
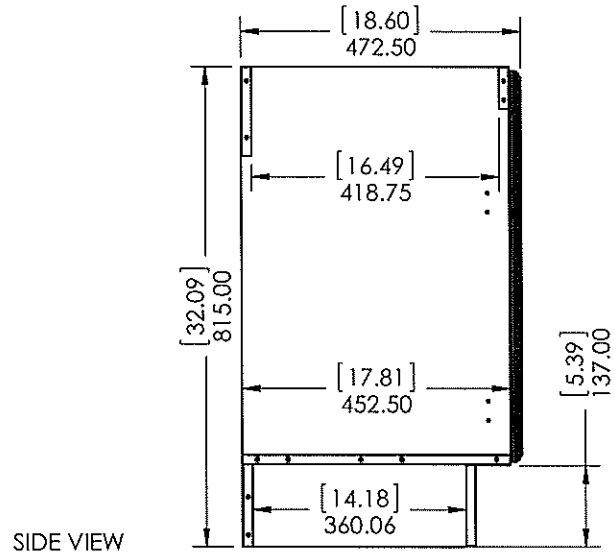
TRADE SHOWS
 2014-2015
 2016-2017
 2018-2019
 2020-2021

STATUS	BY	DATE
DESIGNED	R. CAZAREZ	12/02/2013
DRAWN	R. CAZAREZ	12/02/2013
ENGINNERED	R. CAZAREZ	12/02/2013
CHECKED	R. CAZAREZ	12/02/2013



ITEM ID	DESCRIPTION
VP30P5-AM	Vanity Pro 30x18in 5Pc Combo - Amber
VP30P5-CN	Vanity Pro 30x18in 5Pc Combo - Chestnut
VP30P5COM-AM/CN	All-In-One 30 in. W Vanity Combo in Amber/Chesnut with Cultured Marble Vanity Top in White

REV	ECO#	DESCRIPTION	REV'D BY DATE	CHK'D BY DATE	APR'D BY DATE
0		New Release	IASV 5/13/16	IASV 5/13/16	IASV 5/13/16



PROPRIETARY AND CONFIDENTIAL THE INFORMATION CONTAINED BY THIS DRAWING IS THE SOLE PROPERTY OF WOODCRAFTERS HOME PRODUCTS L.L.C. ANY REPRODUCTION OF THIS DRAWING OR WITHOUT THE WRITTEN PERMISSION OF WOODCRAFTERS HOME PRODUCTS L.L.C. IS PROHIBITED.	UNLESS OTHERWISE SPECIFIED DIMENSIONS ARE IN INCHES AND DECIMALS ARE (1/16) (3/16)	DRAWN BY: IASV 5/13/16	TITLE: VANITY PRO 30" ASSEMBLY
		CHECKED BY: IASV 5/13/16	PARTS: PAGE 1 OF 1
		APPROVED BY: IASV 5/13/16	REV 0
SCALE: 1:10		SIZE: A	