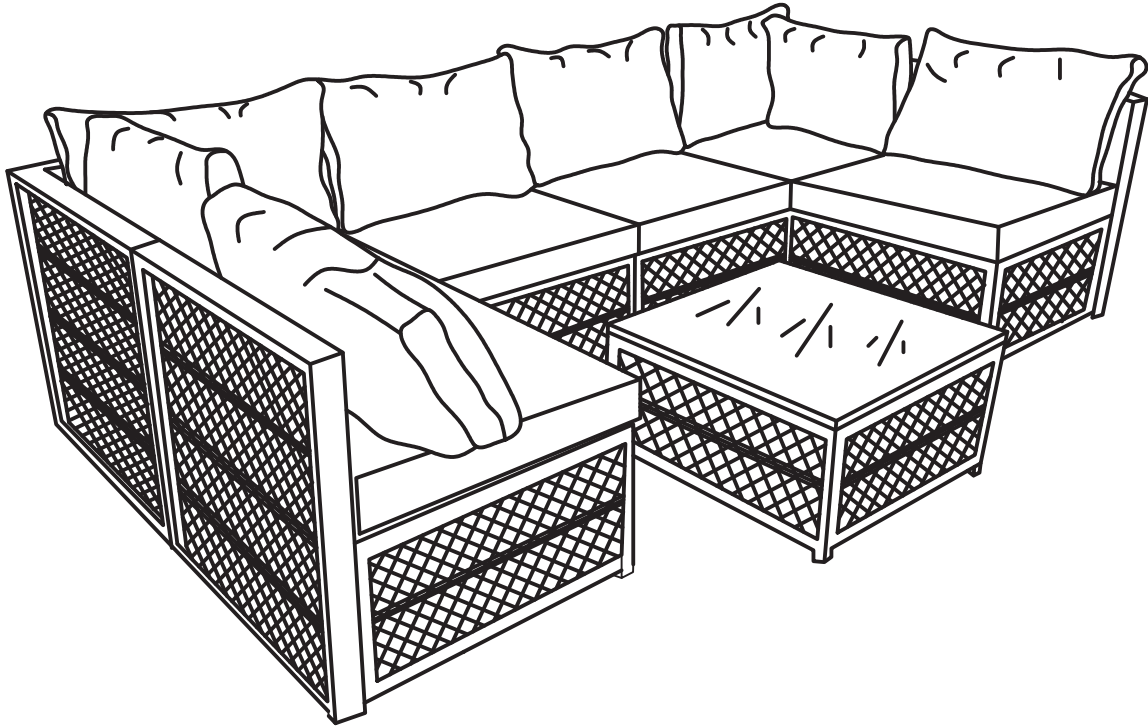


7 Pieces Patio Sectional Sofa Set Assembly Instructions SS16315

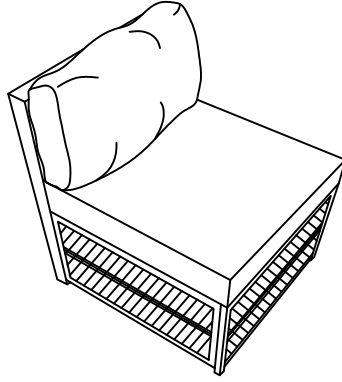
Thanks for choosing our product, kindly check parts listed below and read this manual very carefully, then assemble them step by step, please feel free to contact us for any questions.

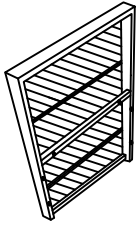
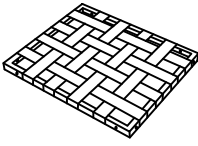
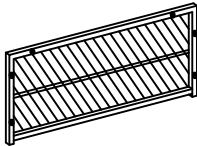
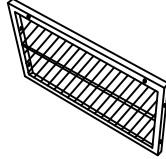
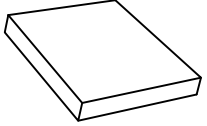
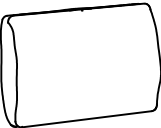





Attention

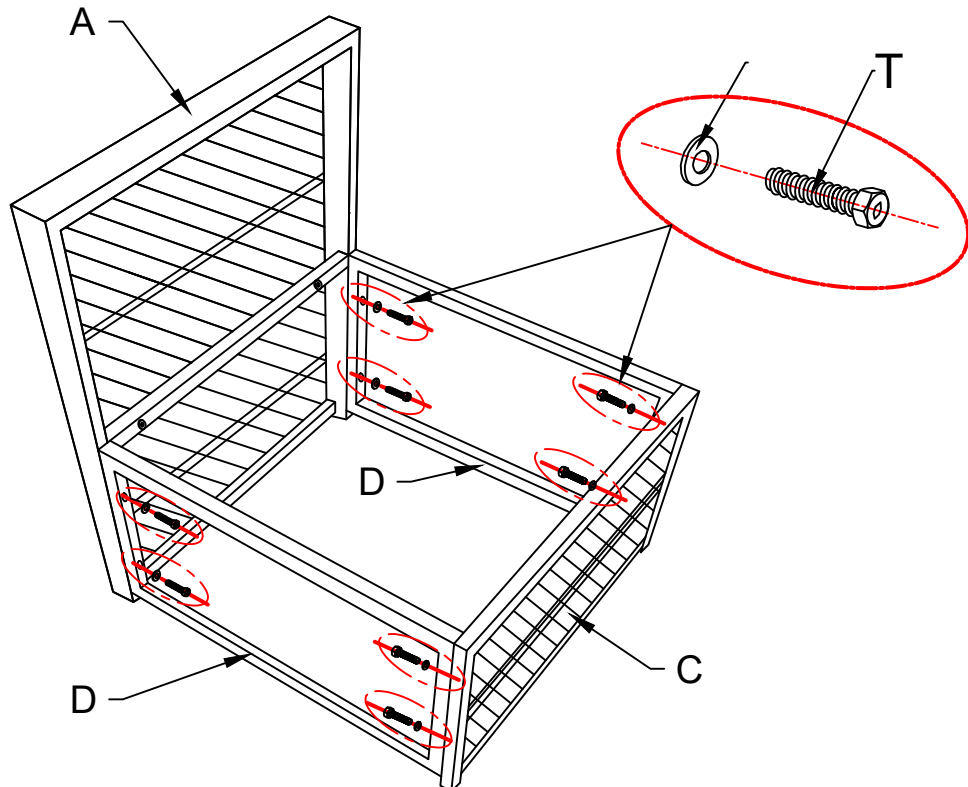
1. Please check the manual carefully and make sure you have received all the parts in **2** boxes as listed below.
2. Pls assemble step by step. Feel free to contact us if you have missing parts or any problems during assembly.
3. We recommend to assemble this sectional sofa with 2 people.
4. Assembly tips for you: pls put the screws in the screw holes first, don't tighten them, and then tighten them together after they are all aligned.
5. Both W and Y are used to tighten bolts and screws.

Package A Part List

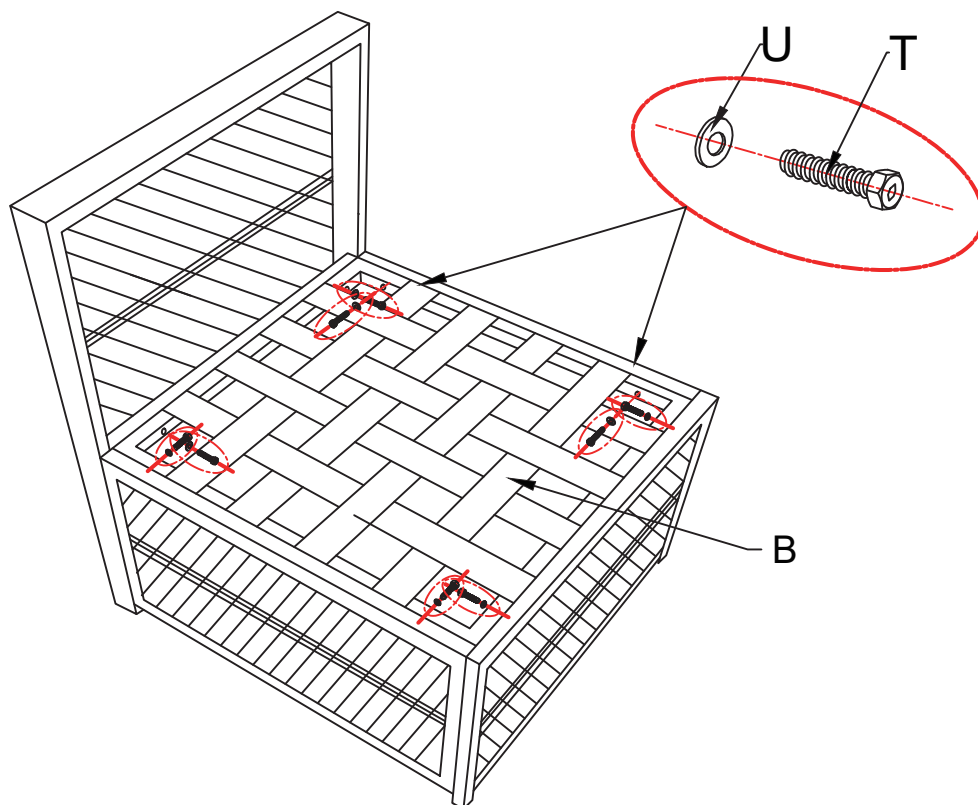


A _{x4}	B _{x4}	C _{x4}	D _{x8}	Q _{x2}
				
R _{x4}	T _{x64}	U _{x64}	W _{x1}	
	 M6*35	 M6	 M6	

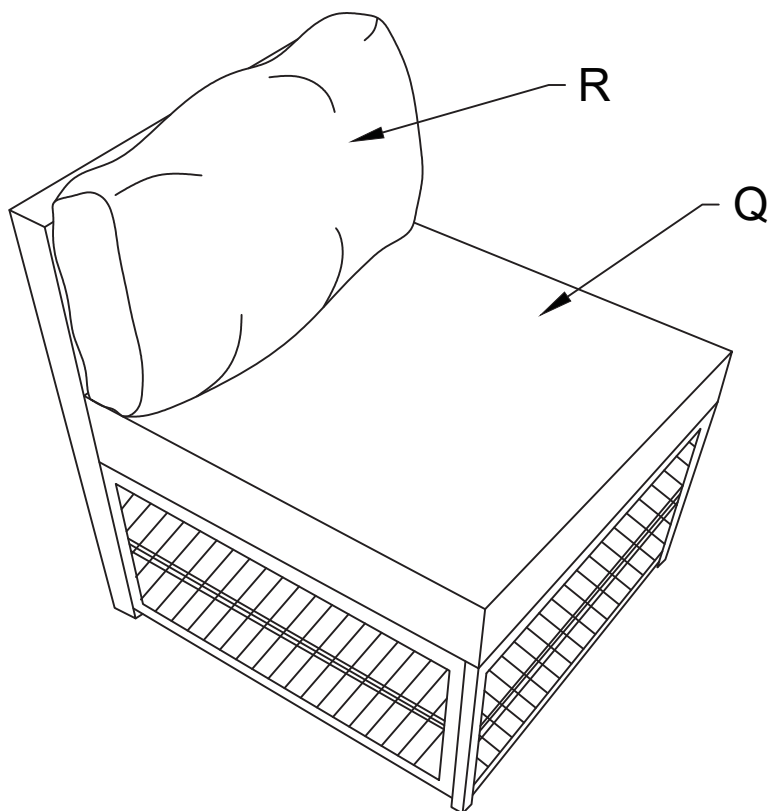
1



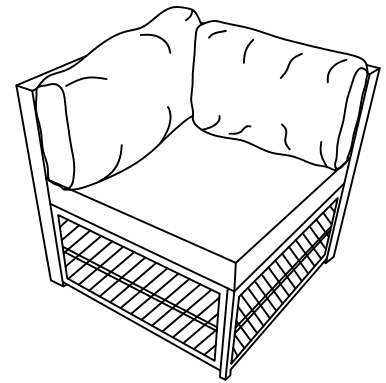
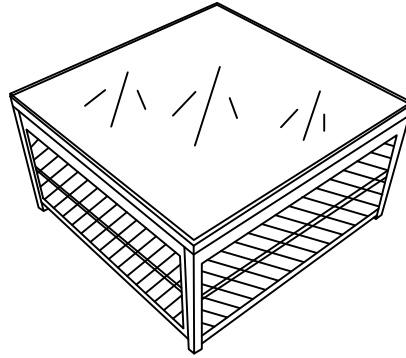
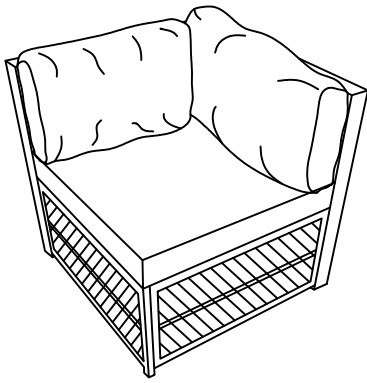
2

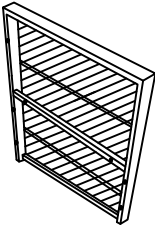
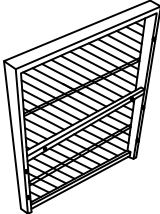

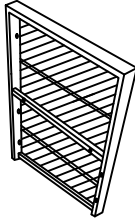
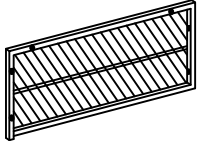
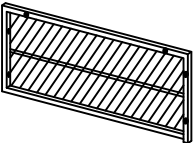
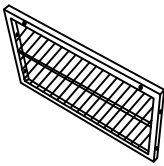
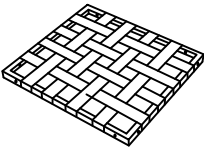
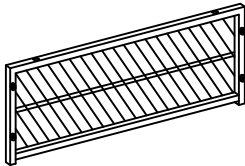
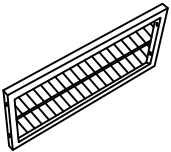
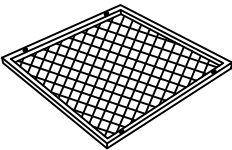
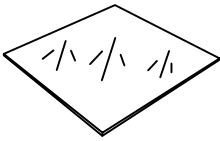
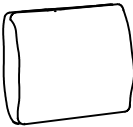
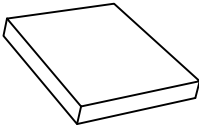
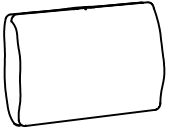



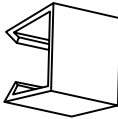



3



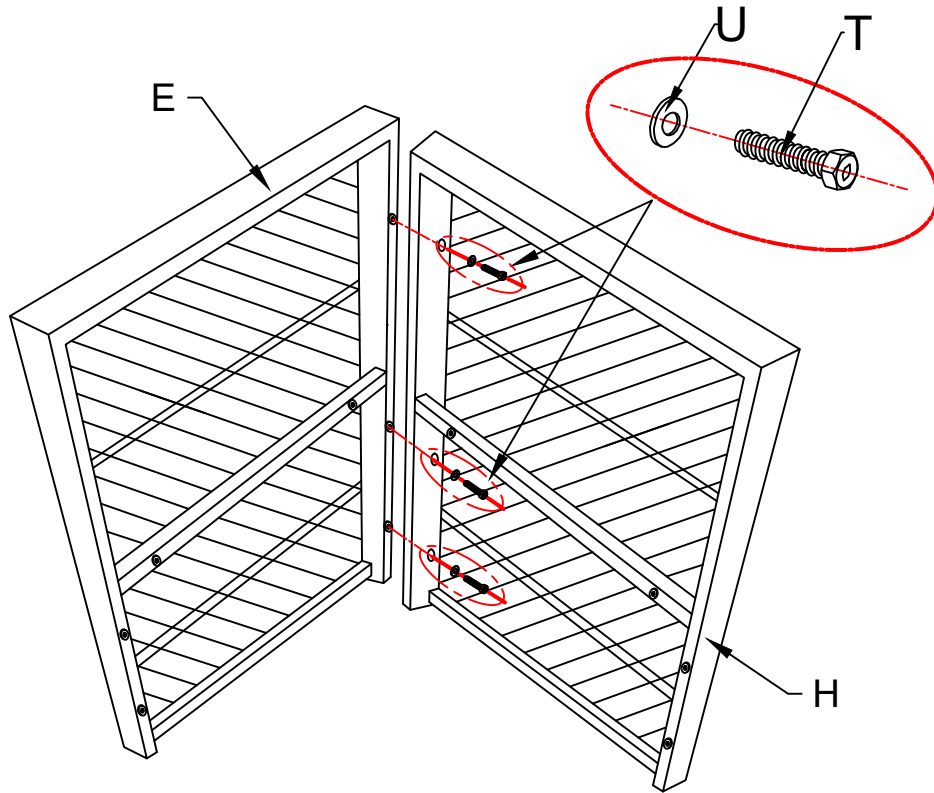
Package B Part List



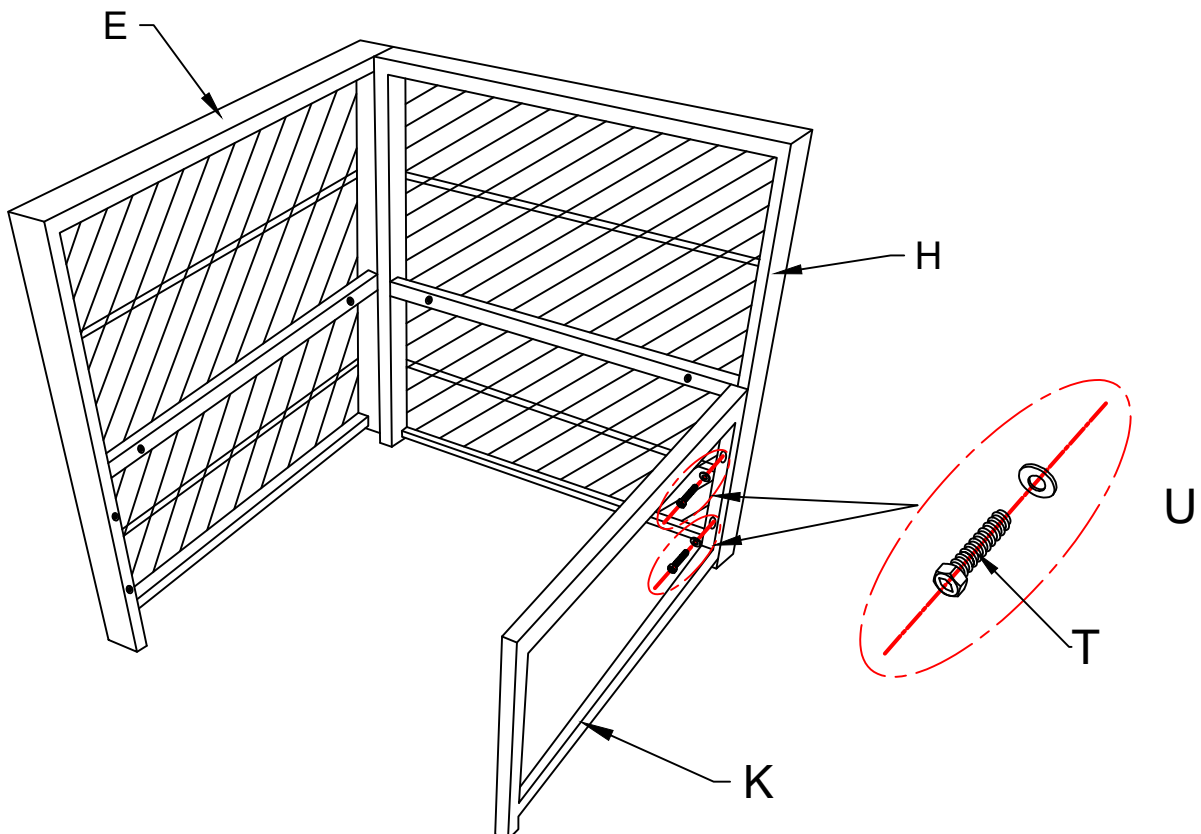
F _{x1}	E _{x1}	G _{x1}	H _{x1}	J _{x1}
				
K _{x1}	D _{x2}	L _{x2}	M _{x2}	N _{x2}
				
O _{x1}	P _{x1}	S _{x2}	Q _{x4}	R _{x2}
				
T _{x46}	U _{x46}	Y _{x1}	Z _{x10}	W _{x1}
				
M6*35	M6			M6

Left Corner Sofa Assembly

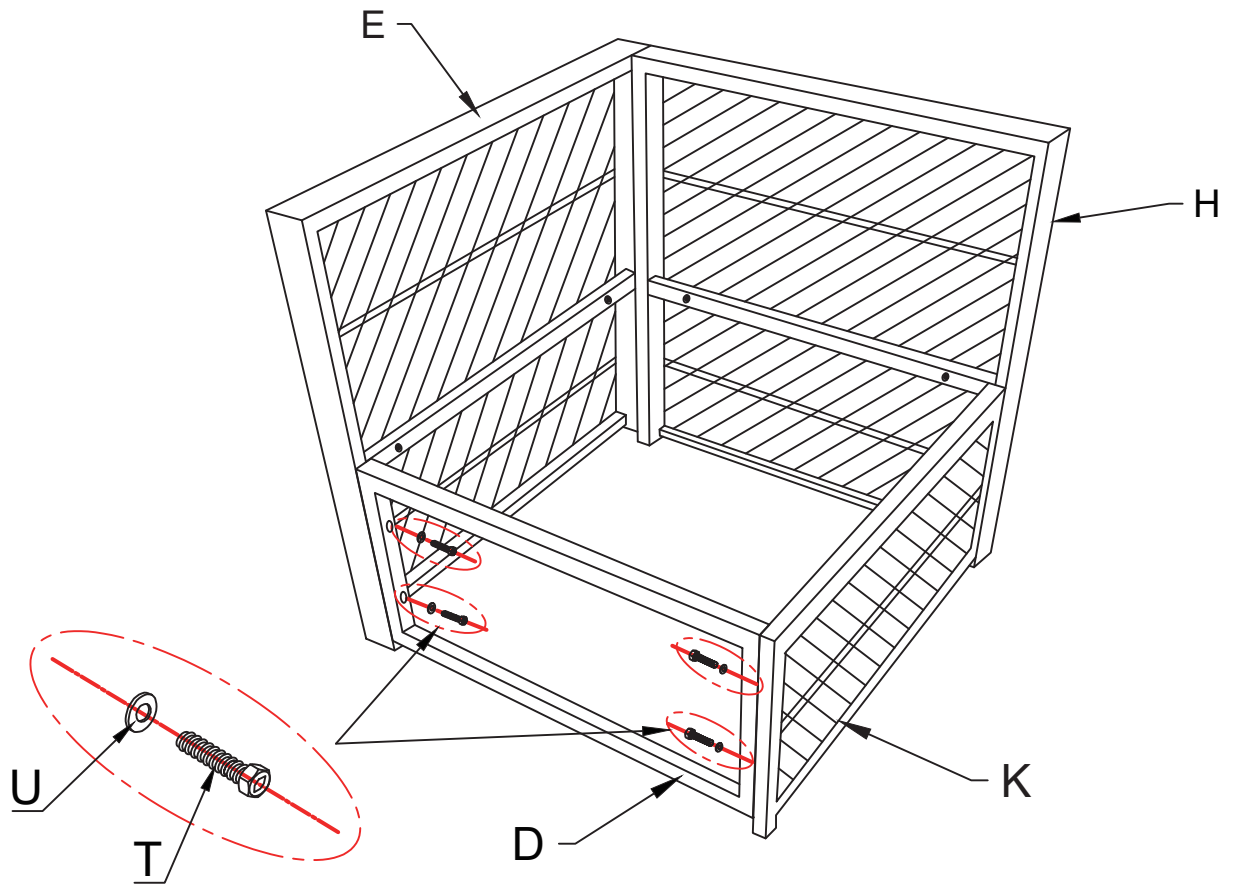
1.



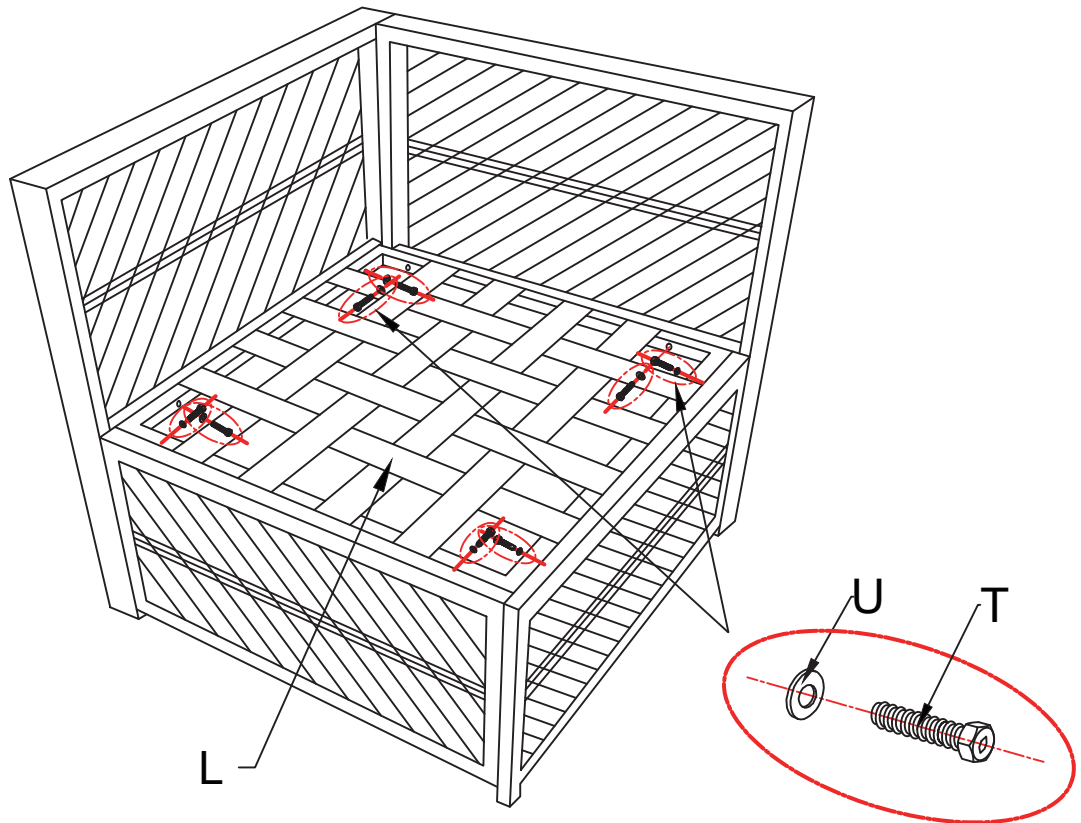
2.



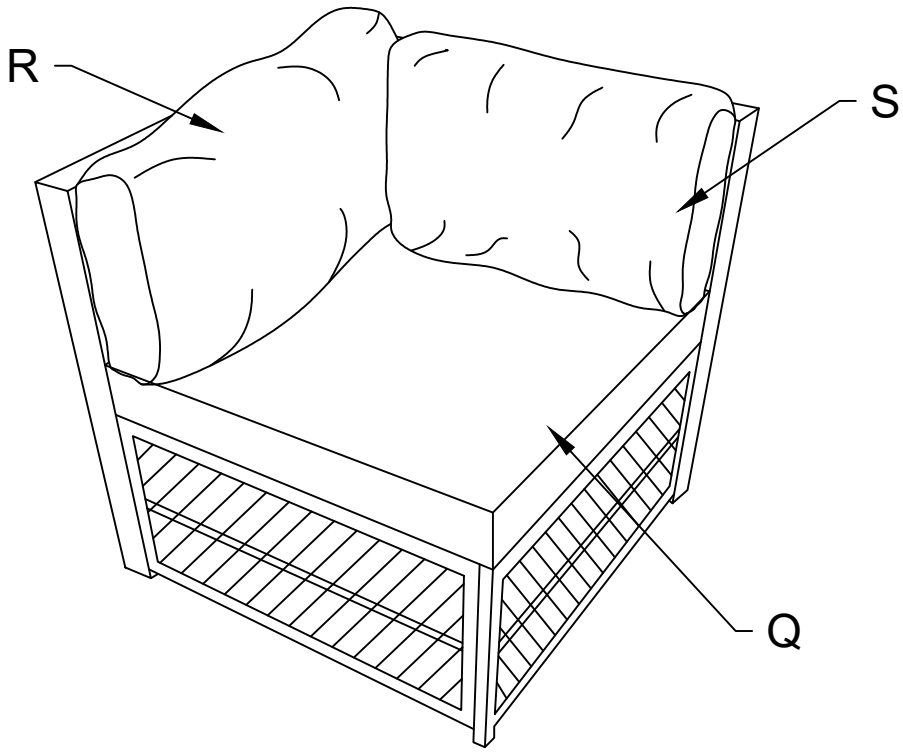
3.



4.

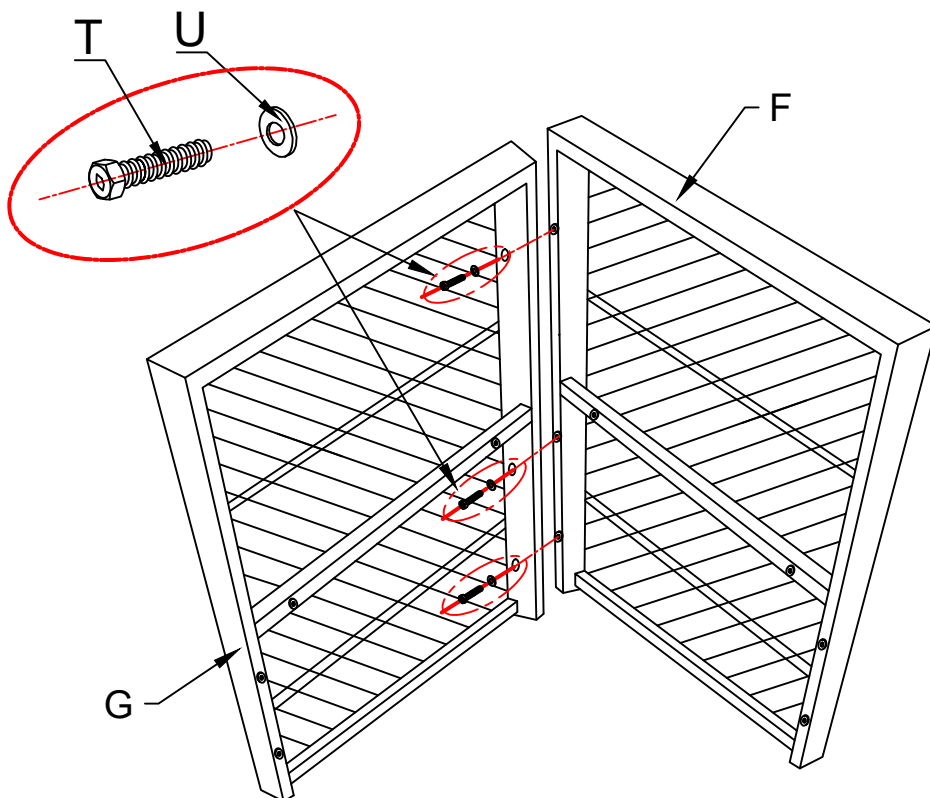


5.

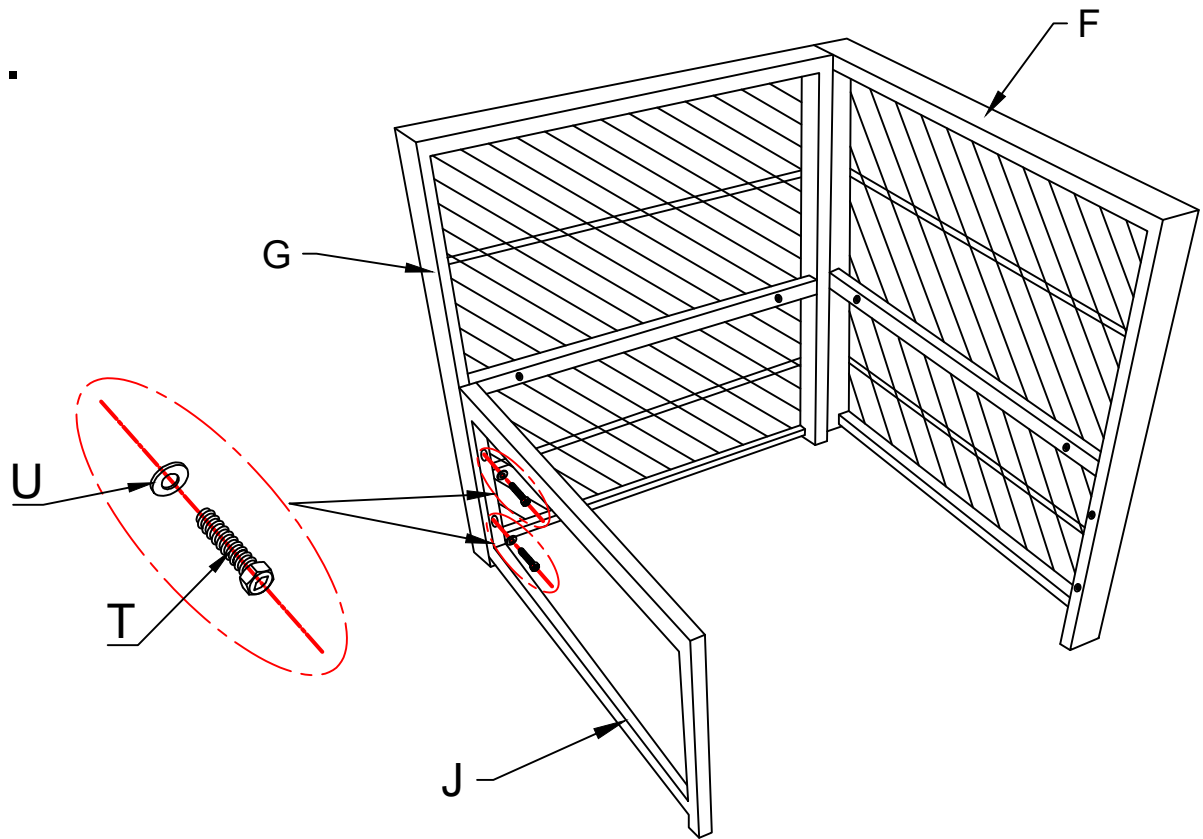


Right Corner Sofa Assembly

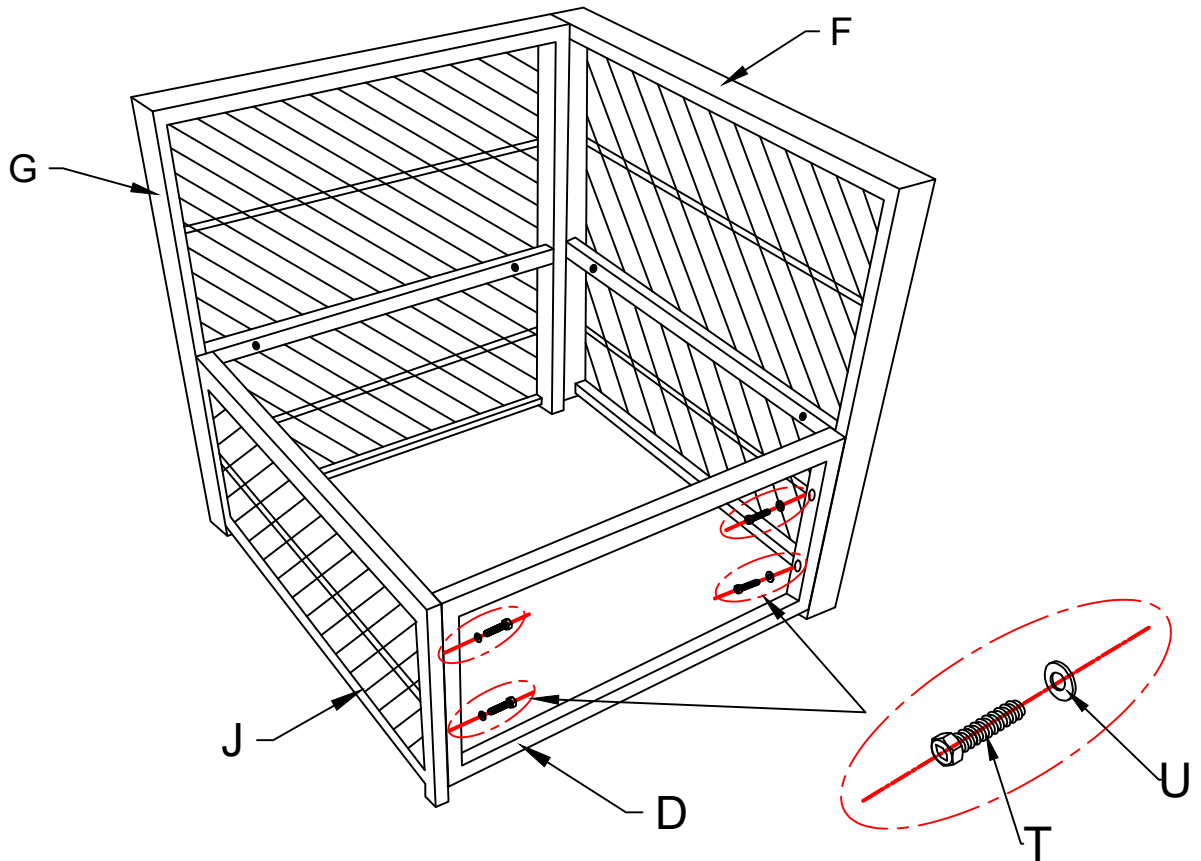
1.



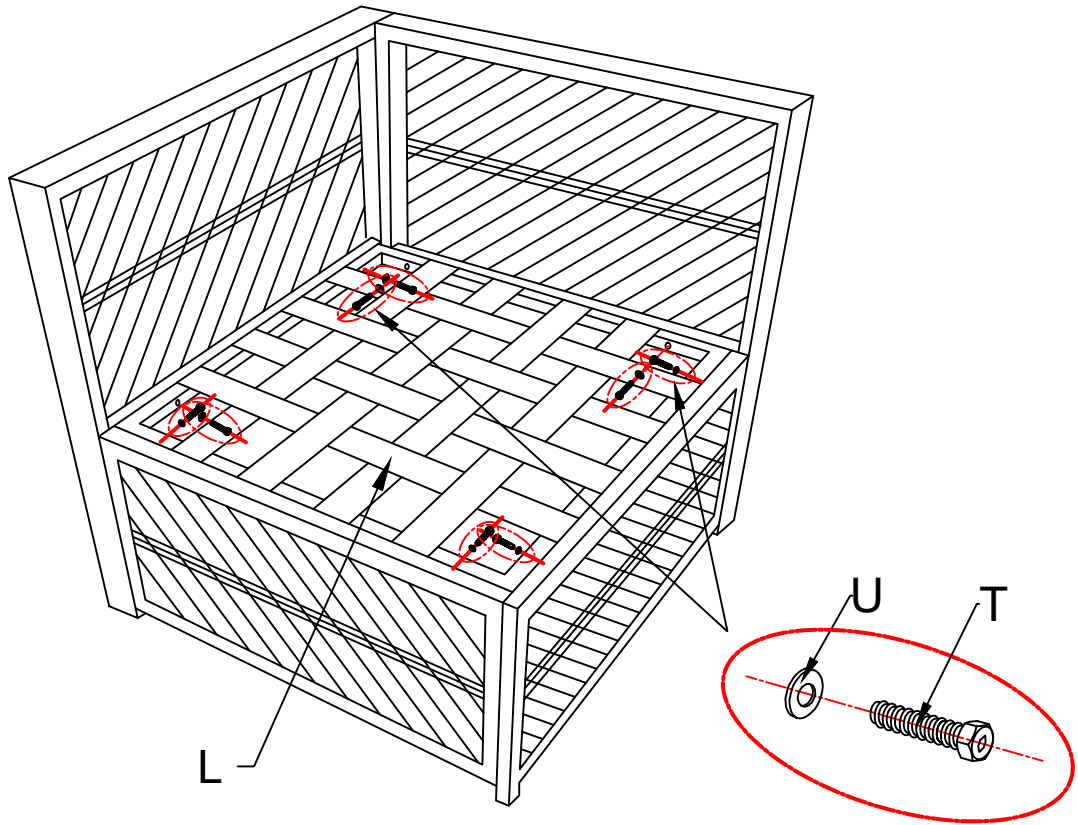
2.



3.



4.



5.

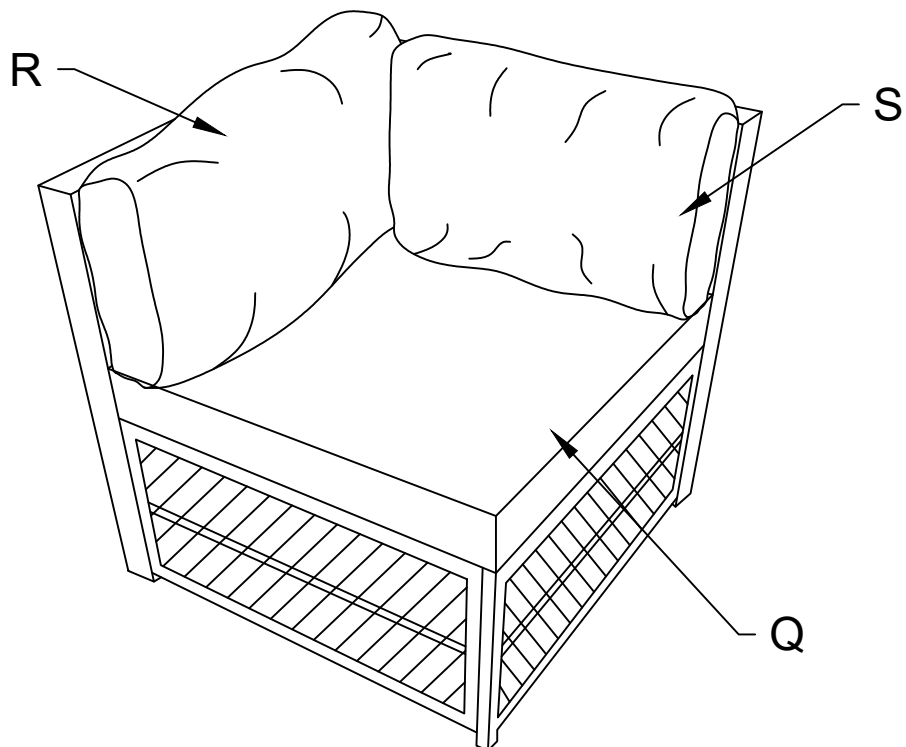
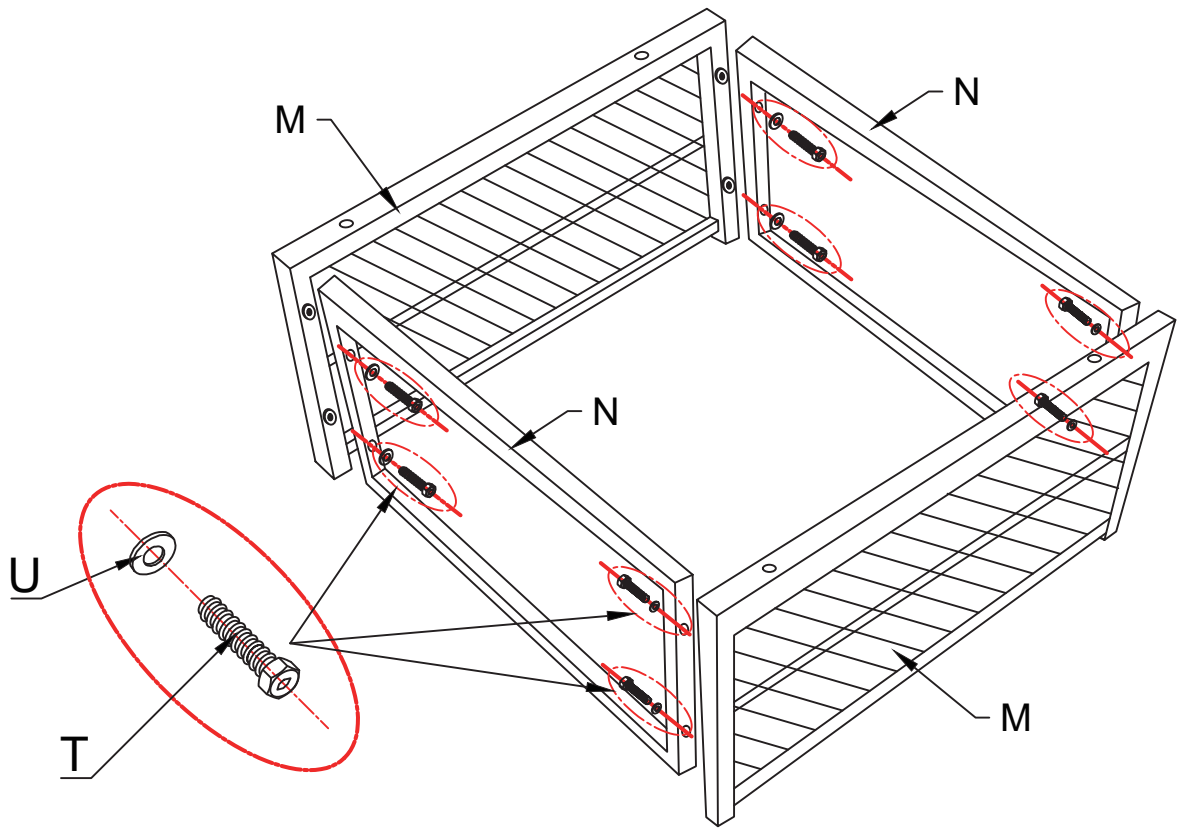
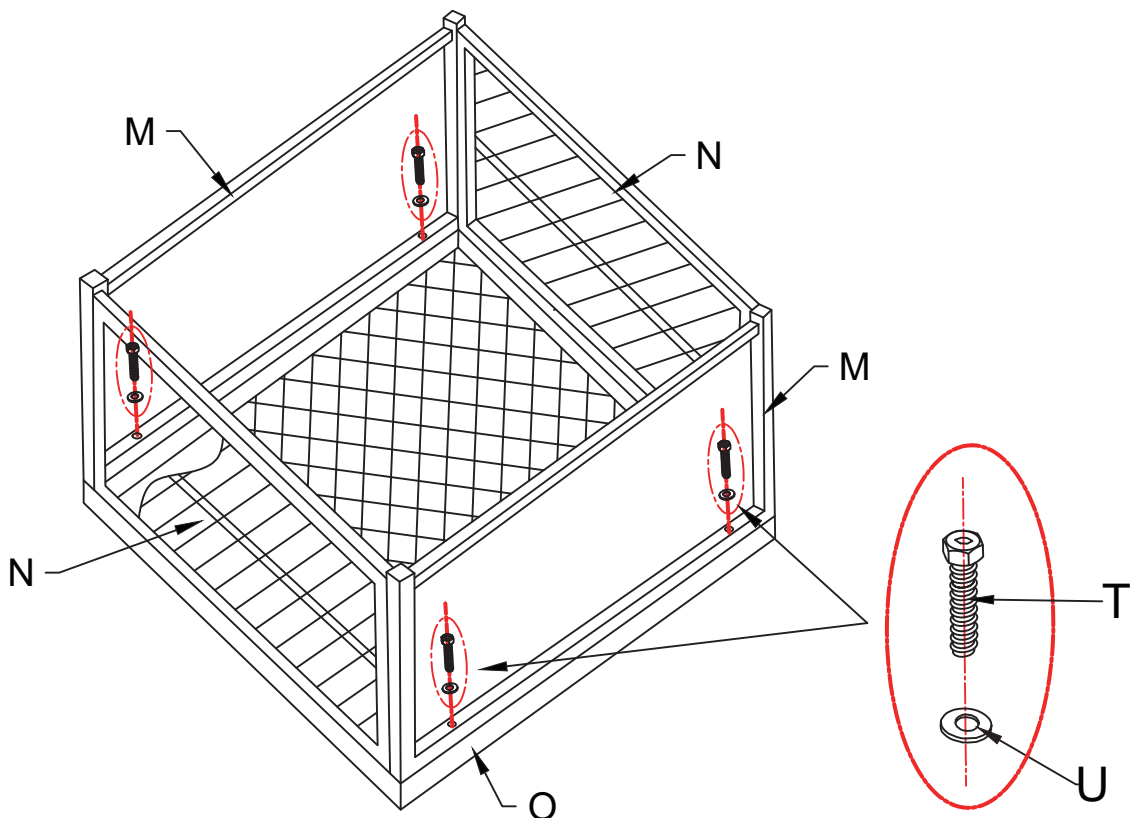


Table Assembly

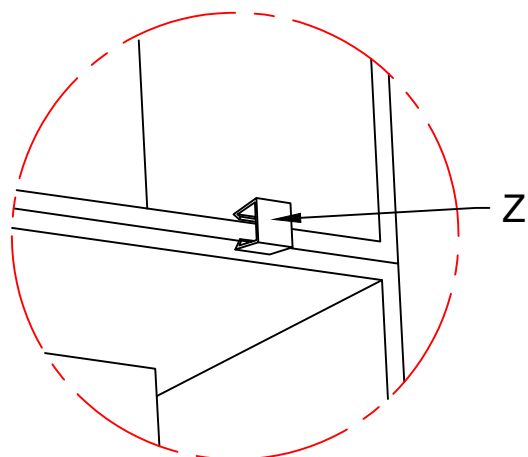
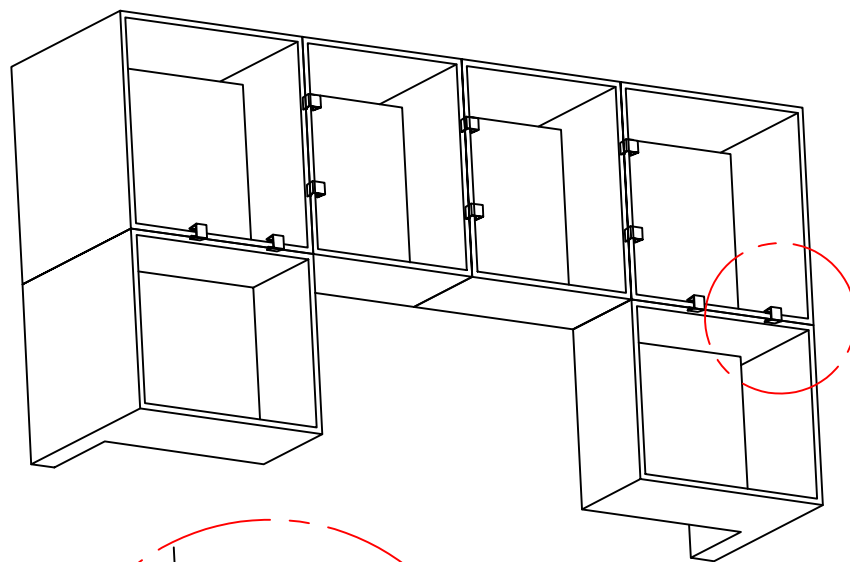
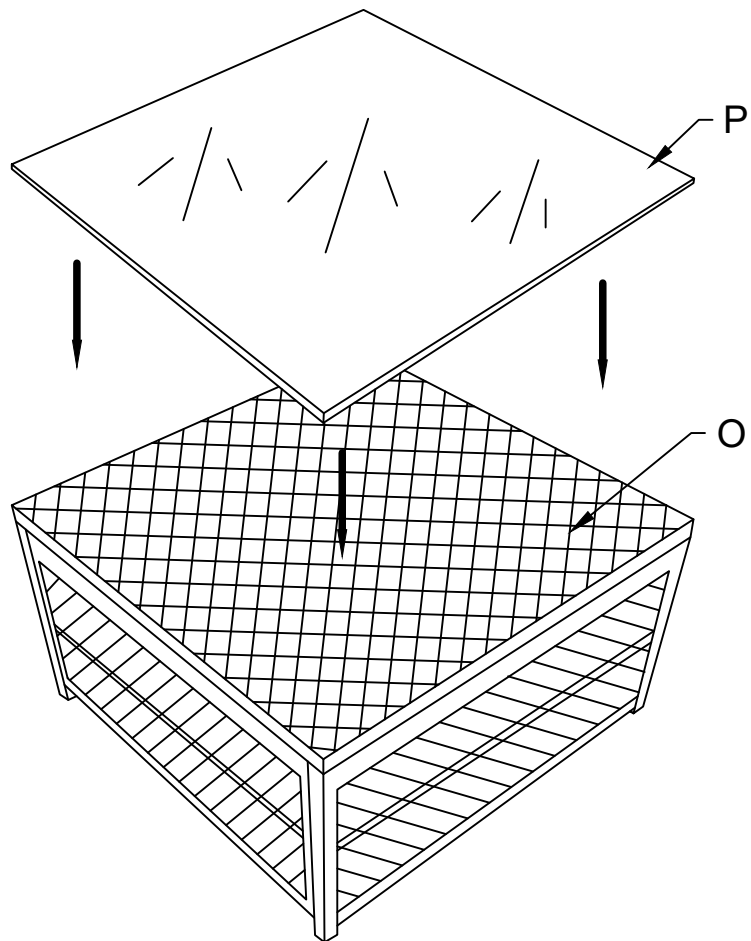
1.

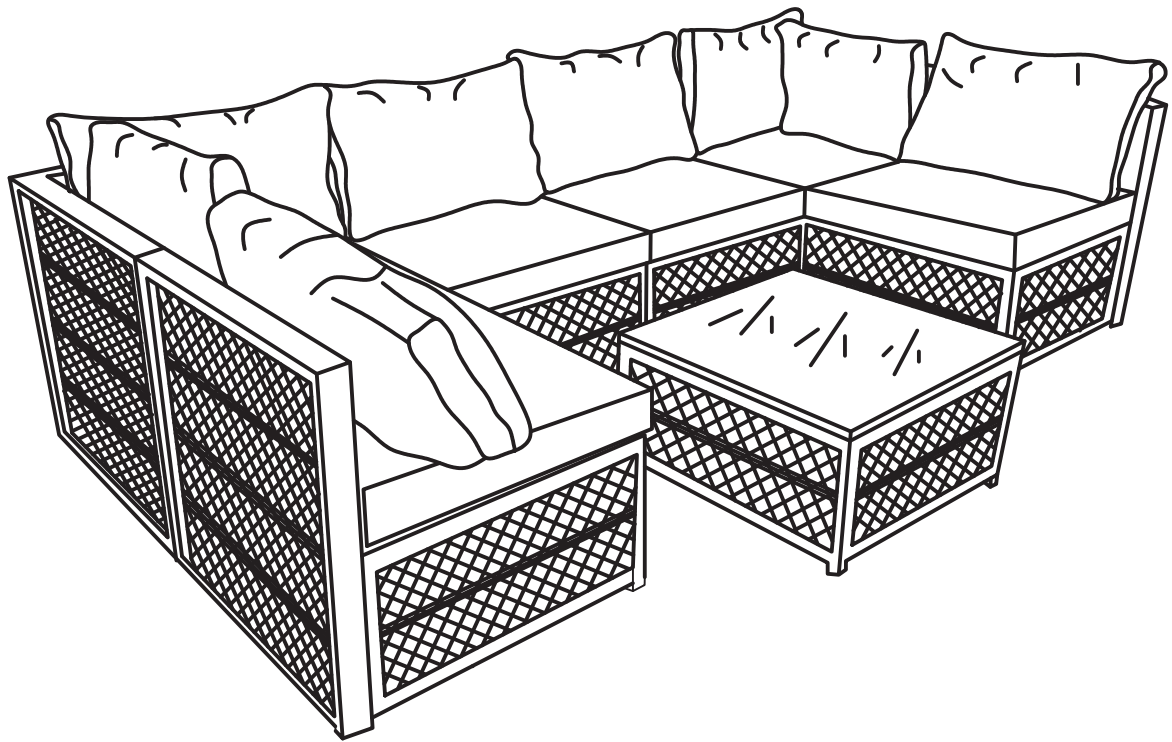


2.



3.





Attention

1. We care about every customer's using experience, please feel free to chat us if has anything missing or damaged or any advice,efficient solution would be offered soon.
2. Reconmmend to use waterproof furniture cover for entire patio sofa set when out of use to keep them.
3. Sofa cushion cover can be removable and clean up by cleaner when have stains.