

# OPERATOR'S MANUAL

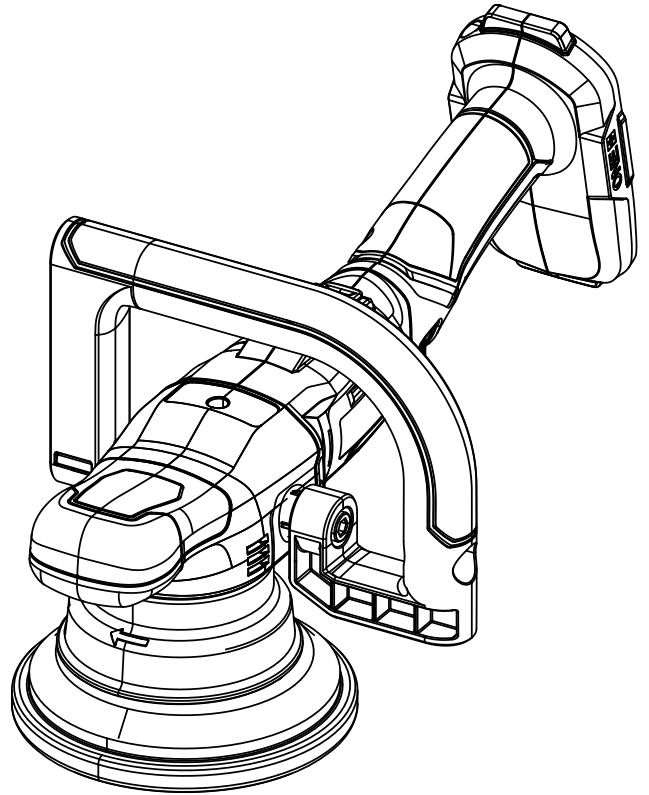
MANUEL D'UTILISATION  
 MANUAL DEL OPERADOR

## 18 VOLT 5-in. VARIABLE SPEED DUAL ACTION POLISHER

POLISSEUSE À DOUBLE ACTION À VITESSE  
 VARIABLE DE 127 mm (5 po) ET 18 V

PULIDORA DE DOBLE ACCIÓN DE  
 VELOCIDAD VARIABLE DE 18 VOLTIOS Y  
 127 mm (5 pulg.)

**PBF100**



**INCLUDES:** Polisher, Auxiliary Handle, Hex Key, Wrench, Operator's Manual

**INCLUT :** Polisseuse, poignée auxiliaire, clé hexagonale, clé manuel del utilisation

**INCLUYE:** Pulidora, mango auxiliar, llave hexagonal, llave manual del operador

### TABLE OF CONTENTS

\*\*\*\*\*

- General Power Tool Safety Warnings..... 2-3
- Polisher Safety Warnings ..... 3-4
- Symbols..... 4-5
- Assembly.....5
- Operation..... 5-7
- Maintenance.....7
- Illustrations .....8
- Parts Ordering and Service..... Back page

### TABLE DES MATIÈRES

\*\*\*\*\*

- Avertissements de sécurité générales relatives aux outils électriques ..... 2-3
- Avertissements de sécurité relatifs polisseuse .....3
- Symboles.....4
- Assemblage.....4
- Utilisation ..... 5-6
- Entretien .....7
- Illustrations .....8
- Commande de pièces et dépannage..... Page arrière

### ÍNDICE DE CONTENIDO

\*\*\*\*\*

- Advertencias de seguridad para herramientas eléctrica ..... 2-3
- Advertencias de pulidora.....3
- Símbolos.....4
- Armado .....5
- Funcionamiento ..... 5-6
- Mantenimiento.....7
- Ilustraciones.....8
- Pedidos de piezas y servicio..... Pág. posterior

**⚠ WARNING:** To reduce the risk of injury, the user must read and understand the operator's manual before using this product.

**⚠ AVERTISSEMENT :** Pour réduire les risques de blessures, l'utilisateur doit lire et veiller à bien comprendre le manuel d'utilisation avant d'employer ce produit.

**⚠ ADVERTENCIA:** Para reducir el riesgo de lesiones, el usuario debe leer y comprender el manual del operador antes de usar este producto.

**SAVE THIS MANUAL FOR FUTURE REFERENCE**

**CONSERVER CE MANUEL POUR FUTURE RÉFÉRENCE**

**GUARDE ESTE MANUAL PARA FUTURAS CONSULTAS**

# GENERAL POWER TOOL SAFETY WARNINGS



## WARNING

**Read all safety warnings, instructions, illustrations and specifications provided with this power tool.**

Failure to follow all instructions listed below may result in electric shock, fire and/or serious injury.

**Save all warnings and instructions for future reference.** The term “power tool” in the warnings refers to your mains-operated (corded) power tool or battery-operated (cordless) power tool.

## WORK AREA SAFETY

- **Keep work area clean and well lit.** Cluttered or dark areas invite accidents.
- **Do not operate power tools in explosive atmospheres, such as in the presence of flammable liquids, gases or dust.** Power tools create sparks which may ignite the dust or fumes.
- **Keep children and bystanders away while operating a power tool.** Distractions can cause you to lose control.

## ELECTRICAL SAFETY

- **Power tool plugs must match the outlet. Never modify the plug in any way. Do not use any adapter plugs with earthed (grounded) power tools.** Unmodified plugs and matching outlets will reduce risk of electric shock.
- **Avoid body contact with earthed or grounded surfaces, such as pipes, radiators, ranges and refrigerators.** There is an increased risk of electric shock if your body is earthed or grounded.
- **Do not expose power tools to rain or wet conditions.** Water entering a power tool will increase the risk of electric shock.
- **Do not abuse the cord. Never use the cord for carrying, pulling or unplugging the power tool. Keep cord away from heat, oil, sharp edges or moving parts.** Damaged or entangled cords increase the risk of electric shock.
- **When operating a power tool outdoors, use an extension cord suitable for outdoor use.** Use of a cord suitable for outdoor use reduces the risk of electric shock.
- **If operating a power tool in a damp location is unavoidable, use a ground fault circuit interrupter (GFCI) protected supply.** Use of a GFCI reduces the risk of electric shock.
- **Use this product only with batteries and chargers listed in tool/appliance/battery pack/charger correlation supplement 987000-432.**

## PERSONAL SAFETY

- **Stay alert, watch what you are doing and use common sense when operating a power tool. Do not use a power tool while you are tired or under the influence of drugs, alcohol or medication.** A moment of inattention

while operating power tools may result in serious personal injury.

- **Use personal protective equipment. Always wear eye protection.** Protective equipment such as dust mask, non-skid safety shoes, hard hat, or hearing protection used for appropriate conditions will reduce personal injuries.
- **Prevent unintentional starting. Ensure the switch is in the off-position before connecting to power source and/or battery pack, picking up or carrying the tool.** Carrying power tools with your finger on the switch or energizing power tools that have the switch on invites accidents.
- **Remove any adjusting key or wrench before turning the power tool on.** A wrench or a key left attached to a rotating part of the power tool may result in personal injury.
- **Do not overreach. Keep proper footing and balance at all times.** This enables better control of the power tool in unexpected situations.
- **Dress properly. Do not wear loose clothing or jewelry. Keep your hair, clothing and gloves away from moving parts.** Loose clothes, jewelry or long hair can be caught in moving parts.
- **If devices are provided for the connection of dust extraction and collection facilities, ensure these are connected and properly used.** Use of dust collection can reduce dust-related hazards.
- **Do not let familiarity gained from frequent use of tools allow you to become complacent and ignore tool safety principles.** A careless action can cause severe injury within a fraction of a second.
- **Do not wear loose clothing or jewelry.** Contain long hair. Loose clothes, jewelry, or long hair can be drawn into air vents.
- **Do not use on a ladder or unstable support.** Stable footing on a solid surface enables better control of the power tool in unexpected situations.

## POWER TOOL USE AND CARE

- **Do not force the power tool. Use the correct power tool for your application.** The correct power tool will do the job better and safer at the rate for which it was designed.
- **Do not use the power tool if the switch does not turn it on and off.** Any power tool that cannot be controlled with the switch is dangerous and must be repaired.
- **Disconnect the plug from the power source and/or remove the battery pack, if detachable, from the power tool before making any adjustments, changing accessories, or storing power tools.** Such preventive safety measures reduce the risk of starting the power tool accidentally.

# GENERAL POWER TOOL SAFETY WARNINGS

- **Store idle power tools out of the reach of children and do not allow persons unfamiliar with the power tool or these instructions to operate the power tool.** Power tools are dangerous in the hands of untrained users.
- **Maintain power tools and accessories. Check for misalignment or binding of moving parts, breakage of parts and any other condition that may affect the power tool's operation. If damaged, have the power tool repaired before use.** Many accidents are caused by poorly maintained power tools.
- **Keep cutting tools sharp and clean.** Properly maintained cutting tools with sharp cutting edges are less likely to bind and are easier to control.
- **Use the power tool, accessories and tool bits etc. in accordance with these instructions, taking into account the working conditions and the work to be performed.** Use of the power tool for operations different from those intended could result in a hazardous situation.
- **Keep handles and grasping surfaces dry, clean and free from oil and grease.** Slippery handles and grasping surfaces do not allow for safe handling and control of the tool in unexpected situations.
- **When battery pack is not in use, keep it away from other metal objects, like paper clips, coins, keys, nails, screws or other small metal objects, that can make a connection from one terminal to another.** Shorting the battery terminals together may cause burns or a fire.
- **Under abusive conditions, liquid may be ejected from the battery; avoid contact. If contact accidentally occurs, flush with water. If liquid contacts eyes, additionally seek medical help.** Liquid ejected from the battery may cause irritation or burns.
- **Do not use a battery pack or tool that is damaged or modified.** Damaged or modified batteries may exhibit unpredictable behavior resulting in fire, explosion or risk of injury.
- **Do not expose a battery pack or tool to fire or excessive temperature.** Exposure to fire or temperature above 265° F may cause explosion.
- **Follow all charging instructions and do not charge the battery pack or tool outside the temperature range specified in the instructions.** Charging improperly or at temperatures outside the specified range may damage the battery and increase the risk of fire.

## BATTERY TOOL USE AND CARE

- **Recharge only with the charger specified by the manufacturer.** A charger that is suitable for one type of battery pack may create a risk of fire when used with another battery pack.
- **Use power tools only with specifically designated battery packs.** Use of any other battery packs may create a risk of injury and fire.

## SERVICE

- **Have your power tool serviced by a qualified repair person using only identical replacement parts.** This will ensure that the safety of the power tool is maintained.
- **Never service damaged battery packs.** Service of battery packs should only be performed by the manufacturer or authorized service providers.

# POLISHER SAFETY WARNINGS




- **Hold power tool by insulated gripping surfaces, when performing an operation where the cutting tool may contact hidden wiring.** Cutting tool contacting a “live” wire may make exposed metal parts of the power tool “live” and could give the operator an electric shock.
- **Know your power tool. Read operator's manual carefully. Learn its applications and limitations, as well as the specific potential hazards related to this power tool.** Following this rule will reduce the risk of electric shock, fire, or serious injury.
- **Always wear eye protection with side shields marked to comply with ANSI Z87.1 when assembling parts, operating the tool, or performing maintenance.** Following this rule will reduce the risk of serious personal injury.
- **Protect your lungs. Wear a face or dust mask if the operation is dusty.** Following this rule will reduce the risk of serious personal injury.
- **Protect your hearing. Wear hearing protection during extended periods of operation.** Following this rule will reduce the risk of serious personal injury.
- **Battery tools do not have to be plugged into an electrical outlet; therefore, they are always in operating condition. Be aware of possible hazards when not using your battery tool or when changing accessories.** Following this rule will reduce the risk of electric shock, fire, or serious personal injury.
- **Do not place battery tools or their batteries near fire or heat.** This will reduce the risk of explosion and possibly injury.
- **Do not crush, drop or damage battery pack. Do not use a battery pack or charger that has been dropped or received a sharp blow.** A damaged battery is subject to explosion. Properly dispose of a dropped or damaged battery immediately.

# POLISHER SAFETY WARNINGS






- **Batteries can explode in the presence of a source of ignition, such as a pilot light.** To reduce the risk of serious personal injury, never use any cordless product in the presence of open flame. An exploded battery can propel debris and chemicals. If exposed, flush with water immediately.
- **Under extreme usage or temperature conditions, battery leakage may occur. If liquid comes in contact with your skin, wash immediately with soap and water. If liquid gets into your eyes, flush them with clean water for at least 10 minutes, then seek immediate medical attention.** Following this rule will reduce the risk of serious personal injury.
- **Save these instructions.** Refer to them frequently and use them to instruct others who may use this tool. If you loan someone this tool, loan them these instructions also.

## SYMBOLS

The following signal words and meanings are intended to explain the levels of risk associated with this product.

SYMBOL	SIGNAL	MEANING
	<b>DANGER:</b>	Indicates a hazardous situation, which, if not avoided, will result in death or serious injury.
	<b>WARNING:</b>	Indicates a hazardous situation, which, if not avoided, could result in death or serious injury.
	<b>CAUTION:</b>	Indicates a hazardous situation, that, if not avoided, may result in minor or moderate injury.
	<b>NOTICE:</b>	(Without Safety Alert Symbol) Indicates information considered important, but not related to a potential injury (e.g. messages relating to property damage).

Some of the following symbols may be used on this product. Please study them and learn their meaning. Proper interpretation of these symbols will allow you to operate the product better and safer.

SYMBOL	NAME	DESIGNATION/EXPLANATION
	Safety Alert	Indicates a potential personal injury hazard.
	Read Operator's Manual	To reduce the risk of injury, user must read and understand operator's manual before using this product.
	Eye Protection	Always wear eye protection with side shields marked to comply with ANSI Z87.1.
	Wet Conditions Alert	Do not expose to rain or use in damp locations.
	Recycle Symbol	This product uses lithium-ion (Li-ion) batteries. Local, state or federal laws may prohibit disposal of batteries in ordinary trash. Consult your local waste authority for information regarding available recycling and/or disposal options.

# SYMBOLS

Some of the following symbols may be used on this product. Please study them and learn their meaning. Proper interpretation of these symbols will allow you to operate the product better and safer.

SYMBOL	NAME	DESIGNATION/EXPLANATION
V	Volts	Voltage
min	Minutes	Time
—	Direct Current	Type or a characteristic of current
$n_0$	No Load Speed	Rotational speed, at no load
.../min	Per Minute	Revolutions, strokes, surface speed, orbits etc., per minute

# ASSEMBLY

## UNPACKING

This product requires assembly.

- Carefully remove the tool and any accessories from the box. All items listed in the **Includes** section must be included at the time of purchase.

### WARNING:

Items in this *Assembly* section are not assembled to the product by the manufacturer and require customer installation. Use of a product that may have been improperly assembled could result in serious personal injury.

- If any parts are damaged or missing, please call 1-800-525-2579 for assistance.

### WARNING:

If any parts are damaged or missing do not operate this product until the parts are replaced. Use of this product with damaged or missing parts could result in serious personal injury.

### WARNING:

Do not attempt to modify this product or create accessories or attachments not recommended for use with this product. Any such alteration or modification is misuse and could result in a hazardous condition leading to possible serious personal injury.

## INSTALLING/ADJUSTING THE AUXILIARY HANDLE ASSEMBLY

See Figure 1, page 8.

An auxiliary handle is included for ease of operation and to help prevent loss of control. The handle can be mounted for left or right hand use.

### To install:

- Position the handle for right or left handed use.
  - NOTE:** You may have to spread the handle slightly to allow it to slide over the base.
- Align the screw through the hole and into the base of the polisher.
- Choose the position that you find most comfortable.
- Use the included hex key to securely tighten the screw.
- Repeat for other side.

# OPERATION

## **WARNING:**

Do not allow familiarity with this product to make you careless. Remember that a careless fraction of a second is sufficient to inflict serious injury.

## **WARNING:**

Always remove battery pack from the tool when you are assembling parts, making adjustments, cleaning, or when not in use. Removing battery pack will prevent accidental starting that could cause serious personal injury.

## **WARNING:**

Always wear eye protection with side shields marked to comply with ANSI Z87.1. Failure to do so could result in objects being thrown into your eyes and other possible serious injuries.

## **WARNING:**

Do not use any attachments or accessories not recommended by the manufacturer of this product. The use of attachments or accessories not recommended can result in serious personal injury.

## APPLICATIONS

You may use this product for the purposes listed below:

- Polishing and buffing cars, boats, RVs, personal watercraft, motorcycles, hardwood floors, and large furniture

## TURNING THE POLISHER ON/OFF

See Figure 2, page 8.

- To start the polisher, place the power switch in the **ON** position.
- To stop the polisher, place the power switch in the **OFF** position.

The tool's rotating base moves in random orbital motion. The orbit diameter is .31 in (8 mm).

## **WARNING:**

Battery tools are always in operating condition. Therefore, the switch should always be in the **OFF (O)** position when not in use or carrying at your side, when installing or removing the battery pack, and when installing or removing accessories.

## VARIABLE SPEED DIAL

See Figure 2, page 8.

The variable speed dial is located on the side of the tool and allows the polisher to operate at different speeds. The speed can be adjusted before or during operation. Select the speeds designated on the unit for the following applications.

Finishing .....	3000 – 3800 OPM
Correcting.....	3800 – 5800 OPM
Cutting.....	5800 – 7500 OPM

## INSTALLING/REMOVING BATTERY PACK

See Figure 3, page 8.

- **To install:** Make sure the power switch is in the **OFF (O)** position.
- Place the battery pack in the tool.
- Make sure the latches on each side of the battery pack snap into place and the battery pack is secured in the tool before beginning operation.
- **To remove:** Turn the switch off and depress the latches.

For complete charging instructions, see the operator's manuals for your battery pack and charger.

## PREPARE THE SURFACE

For best results, always read and follow the polish manufacturer's instructions. Prepare the surface as directed for appropriate applications and proper use.

Never apply cleaners directly onto surface to be polished. Apply to a clean cloth then use the cloth to clean the surface. Do not use any type of abrasive cleanser as it may damage or scratch the surface.

## ATTACHING THE APPLICATION FOAM PADS

See Figure 4, page 9.

## **WARNING:**

To avoid injury, always remove the battery pack from the polisher before attaching polishing pads.

Three pads are included: one for finishing, one for correcting, and another for cutting the surface. To attach the polishing pad to the base, align the pad to the base and press the hook and loop together to securely hold the pad in place.

## APPLYING POLISH TO THE FOAM PADS

See Figure 5, page 9.

Most polishes are either in paste or liquid form. Before using any polish, read all directions on appropriate applications and proper use.

**NOTE:** Be careful not to use too much polish at one time. If the pad becomes saturated, it will not last as long.

# OPERATION

## APPLY POLISH TO SURFACE

See Figures 6 - 7, page 9.

### **WARNING:**

To prevent loss of control and possible serious personal injury, always operate the tool with both hands. For increased stability, hold the polisher with your hands on the rear handle and either the front or auxiliary handle.

**NOTE:** Make sure the ON/OFF switch is in the **OFF (O)** position before placing the polisher on any surface.

While holding the polisher firmly against the surface, slide the ON/OFF switch to the **ON (I)** position. Always start and stop the polisher on or against the surface being polished.

Begin by polishing larger flat surfaces. Use a broad sweeping motion in a criss-cross pattern as shown. Do not press down on the surface with the polisher. Let the orbital action of the polisher and polishing pad do the work.

Once flat surfaces have been covered, polish curved surfaces such as car doors and quarter panels. Use small circular motions.

After applying polish to the entire surface, turn polisher off by pushing the ON/OFF switch with your thumb. Wait until the pad stops rotating before lifting the polisher from the surface. Remove the battery pack from the polisher.

For hard to reach areas, such as the underside of bumpers or side mirrors, apply polish by hand.

# MAINTENANCE

### **WARNING:**

When servicing, use only identical replacement parts. Use of any other parts can create a hazard or cause product damage.

## GENERAL MAINTENANCE

Avoid using solvents when cleaning plastic parts. Most plastics are susceptible to damage from various types of commercial solvents and can be damaged by their use. Use clean cloths to remove dirt, dust, oil, grease, etc.

## REPLACING THE BACKER PAD

See Figure 8

If the backer pad becomes damaged or worn, it can be replaced using the included wrench.

- Remove the battery pack.
- Slide the wrench into the slot at the base of the polisher.
- Turn the pad until the wrench slides onto the spindle shaft, preventing it from turning.
- Continue turning the pad until the backer pad is loosened and releases from the base.
- Attach the new backer pad by reversing these steps.

**NOTE: ILLUSTRATIONS BEGIN ON PAGE 8  
AFTER FRENCH AND SPANISH LANGUAGE SECTIONS.**

# AVERTISSEMENTS DE SÉCURITÉ GÉNÉRALES RELATIVES AUX OUTILS ÉLECTRIQUES



## AVERTISSEMENT

Lire les avertissements de sécurité, les instructions et les précisions et consulter les illustrations fournis avec cet outil électrique. Le fait de ne pas se conformer à l'ensemble des consignes présentées ci-dessous risque d'entraîner des décharges électriques, un incendie et/ou des blessures graves.

Conserver les avertissements et les instructions à des fins de référence ultérieure. Le terme « outil électrique », utilisé dans tous les avertissements ci-dessous désigne tout outil fonctionnant sur secteur (câblé) ou sur piles (sans fil).

## SÉCURITÉ DU LIEU DE TRAVAIL

- **Garder le lieu de travail propre et bien éclairé.** Les endroits encombrés ou sombres sont propices aux accidents.
- **Ne pas utiliser d'outils électriques dans des atmosphères explosives, par exemple en présence de liquides, gaz ou poussières inflammables.** Les outils électriques produisent des étincelles risquant d'enflammer les poussières ou vapeurs.
- **Garder les enfants et badauds à l'écart pendant l'utilisation d'un outil électrique.** Les distractions peuvent causer une perte de contrôle.

## SÉCURITÉ ÉLECTRIQUE

- **Les fiches des outils électriques doivent correspondre à la prise secteur utilisée. Ne jamais modifier la fiche, de quelque façon que ce soit. Ne jamais utiliser d'adaptateurs de fiche avec des outils mis à la terre.** Les fiches et prises non modifiées réduisent le risque de choc électrique.
- **Éviter tout contact du corps avec des surfaces mises à la terre, telles que tuyaux, radiateurs, cuisinières et réfrigérateurs.** Le risque de choc électrique est accru lorsque le corps est mis à la terre.
- **Ne pas exposer les outils électriques à l'eau ou l'humidité.** La pénétration d'eau dans ces outils accroît le risque de choc électrique.
- **Ne pas maltraiter le cordon d'alimentation. Ne jamais utiliser le cordon d'alimentation pour transporter l'outil et ne jamais débrancher ce dernier en tirant sur le cordon. Garder le cordon à l'écart de la chaleur, de l'huile, des objets tranchants et des pièces en mouvement.** Un cordon endommagé ou emmêlé accroît le risque de choc électrique.
- **Pour les travaux à l'extérieur, utiliser un cordon spécialement conçu à cet effet.** Utiliser un cordon conçu pour l'usage extérieur pour réduire les risques de choc électrique.
- **S'il est nécessaire d'utiliser l'outil électrique dans un endroit humide, employer un dispositif interrupteur de défaut à la terre (GFCI).** L'utilisation d'un GFCI réduit le risque de décharge électrique.

- **Utiliser ce produit seulement avec les piles et les chargeurs indiqués dans le supplément de raccordement pour chargeur/outils/piles/appareil n° 987000-432.**

## SÉCURITÉ PERSONNELLE

- **Rester attentif, prêter attention au travail et faire preuve de bon sens lors de l'utilisation de tout outil électrique. Ne pas utiliser cet outil en état de fatigue ou sous l'influence de l'alcool, de drogues ou de médicaments.** Un moment d'inattention pendant l'utilisation d'un outil électrique peut entraîner des blessures graves.
- **Utiliser l'équipement de sécurité. Toujours porter une protection oculaire.** L'équipement de sécurité, tel qu'un masque filtrant, de chaussures de sécurité, d'un casque ou d'une protection auditive, utilisé dans des conditions appropriées réduira le risque de blessures.
- **Éviter les démarrages accidentels. S'assurer que le commutateur est en position d'arrêt avant de brancher l'outil.** Porter un outil avec le doigt sur son commutateur ou brancher un outil dont le commutateur est en position de marche peut causer un accident.
- **Retirer les clés de réglage avant de mettre l'outil en marche.** Une clé laissée sur une pièce rotative de l'outil peut causer des blessures.
- **Ne pas travailler hors de portée. Toujours se tenir bien campé et en équilibre.** Ceci permettra de mieux contrôler l'outil en cas de situation imprévue.
- **Porter une tenue appropriée. Ne porter ni vêtements amples, ni bijoux. Garder les cheveux, les vêtements et les gants à l'écart des pièces en mouvement.** Les vêtements amples, bijoux et cheveux longs peuvent se prendre dans les pièces en mouvement.
- **Si les outils sont équipés de dispositifs de dépoussiérage, s'assurer qu'ils sont connectés et correctement utilisés.** L'usage de ces dispositifs de dépoussiérage peut réduire les dangers présentés par la poussière.
- **Malgré votre expérience acquise par l'utilisation fréquente des outils, soyez toujours vigilant et respectez les principes de sécurité relatifs aux outils.** Il s'agit d'une fraction de seconde pour qu'un geste irréfléchi puisse causer de graves blessures.
- **Ne porter ni vêtements amples, ni bijoux. Attacher ou couvrir les cheveux longs.** Les vêtements amples, bijoux et cheveux longs peuvent se prendre dans les ouïes d'aération.
- **Ne pas utiliser l'outil sur une échelle ou un support instable.** Une bonne tenue et un bon équilibre permettent de mieux contrôler l'outil en cas de situation imprévue.

## UTILISATION ET ENTRETIEN DES OUTILS ÉLECTRIQUES

- **Ne pas forcer l'outil. Utiliser l'outil approprié pour l'application.** Un outil approprié exécutera le travail mieux et de façon moins dangereuse s'il est utilisé dans les limites prévues.



# AVERTISSEMENTS DE SÉCURITÉ GÉNÉRALES RELATIVES AUX OUTILS ÉLECTRIQUES

- **Ne pas utiliser l'outil si le commutateur ne permet pas de le mettre en marche ou de l'arrêter.** Tout outil qui ne peut pas être contrôlé par son commutateur est dangereux et doit être réparé.
  - **Débrancher l'outil et/ou retirer le bloc-piles avant d'effectuer des réglages, de changer d'accessoire ou de remiser l'outil.** Ces mesures de sécurité préventives réduisent les risques de démarrage accidentel de l'outil.
  - **Ranger les outils motorisés hors de la portée des enfants et ne laisser personne n'étant pas familiarisé avec l'outil ou ces instructions utiliser l'outil.** Dans les mains de personnes n'ayant pas reçu des instructions adéquates, les outils sont dangereux.
  - **Entretien des outils motorisés. Vérifier qu'aucune pièce mobile n'est mal alignée ou bloquée, qu'aucune pièce n'est brisée et s'assurer qu'aucun autre problème ne risque d'affecter le bon fonctionnement de l'outil. En cas de dommages faire réparer l'outil avant de l'utiliser de nouveau.** Beaucoup d'accidents sont causés par des outils mal entretenus.
  - **Garder les outils bien affûtés et propres.** Des outils correctement entretenus et dont les tranchants sont bien affûtés risquent moins de se bloquer et sont plus faciles à contrôler.
  - **Utiliser l'outil, les accessoires et embouts, etc. conformément à ces instructions pour les applications pour lesquelles ils sont conçus, en tenant compte des conditions et du type de travail à exécuter.** L'usage d'un outil motorisé pour des applications pour lesquelles il n'est pas conçu peut être dangereux.
  - **Gardez les poignées et les surfaces de prise sèches, propres et exemptes d'huile et de graisse.** Des poignées et des surfaces de prise glissantes empêchent la manipulation et le contrôle sécuritaires de l'outil dans des circonstances imprévues.
- mise en court-circuit des bornes de piles peut causer des étincelles, des brûlures ou un incendie.
- **En cas d'usage abusif, du liquide peut s'échapper des piles. Éviter tout contact avec ce liquide. En cas de contact accidentel, rincer immédiatement les parties atteintes avec de l'eau. En cas d'éclaboussure dans les yeux consulter un médecin.** Le liquide s'échappant des piles peut causer des irritations ou des brûlures.
  - **Ne pas utiliser un bloc-piles ou un outil endommagé ou modifié.** Les piles endommagées ou modifiées peuvent produire un comportement imprévisible pouvant provoquer un incendie, une explosion ou des blessures.
  - **Ne pas exposer le bloc-piles ou l'outil près d'un incendie ou à une température extrême.** L'exposition à un incendie ou à une température supérieure à 130 °C (265 °F) représente un risque d'explosion.
  - **Suivre toutes les instructions afférentes à la recharge et ne pas recharger le bloc-piles ou l'outil hors des températures spécifiées dans les instructions.** Une recharge incorrecte ou hors des températures spécifiées peut endommager la pile et augmenter les risques de feu.

## DÉPANNAGE

- **Les réparations doivent être confiées à un technicien qualifié, utilisant exclusivement des pièces identiques à celles d'origine.** Ceci assurera le maintien de la sécurité de l'outil.
- **Ne réparez jamais de blocs-piles endommagés.** Seuls le fabricant et les fournisseurs de service autorisés doivent effectuer la réparation ou l'entretien des blocs-piles.

## UTILISATION ET ENTRETIEN DE LA PILE




- **Ne recharger qu'avec l'appareil spécifié par le fabricant.** Un chargeur approprié pour un type de pile peut créer un risque d'incendie s'il est utilisé avec un autre type de pile.
- **Utiliser exclusivement le bloc-pile spécifiquement indiqué pour l'outil.** L'usage de tout autre bloc peut créer un risque de blessures et d'incendie.
- **Lorsque le bloc-piles n'est pas en usage, le garder à l'écart d'articles tels qu'attaches trombones, pièces de monnaie, clous, vis ou autres petits objets métalliques risquant d'établir le contact entre les deux bornes.** La

# AVERTISSEMENTS DE SÉCURITÉ RELATIFS AU POLISSEUSE

- Lorsque l'outil est utilisé pour un travail risquant de le mettre en contact avec des fils électriques cachés, le tenir par les surfaces de prise isolées. Le contact d'un accessoire de coupe avec un fil sous tension « électrifie » les pièces métalliques exposées de l'outil et peut électrocuter l'utilisateur.
- Apprendre à connaître l'outil. Lire attentivement le manuel d'utilisation. Apprendre les applications et les limites de l'outil, ainsi que les risques spécifiques relatifs à son utilisation. Le respect de cette consigne réduira les risques d'incendie, de choc électrique et de blessures graves.
- Toujours porter une protection oculaire munie d'écrans latéraux certifiée conforme à la norme ANSI Z87.1 lors du montage des pièces, du fonctionnement de l'outil ou au moment de l'entretien. Le respect de cette règle réduira les risques de blessures graves.
- Protection respiratoire. Porter un masque facial ou un masque antipoussière si le travail produit de la poussière. Le respect de cette consigne réduira les risques de blessures graves.
- Protection auditive. Porter une protection auditive lors de l'utilisation prolongée. Le respect de cette règle réduira les risques de blessures graves.
- Les outils fonctionnant sur piles n'ayant pas besoin d'être branchés sur une prise secteur, ils sont toujours en état de fonctionnement. Tenir compte des dangers possibles lorsque l'outil n'est pas en usage et lors du remplacement des piles. Le respect de cette consigne réduira les risques d'incendie, de choc électrique et de blessures graves.
- Ne pas placer les outils électriques sans fil ou leurs piles à proximité de flammes ou d'une source de chaleur. Ceci réduira les risques d'explosion et de blessures.
- Ne pas écraser, faire tomber ou endommager le bloc-piles. Ne jamais utiliser un bloc-piles ou un chargeur qui est tombé, a été écrasé, a reçu un choc violent ou a été endommagé de quelque façon que ce soit. Une pile endommagée risque d'exploser. Éliminer immédiatement toute pile endommagée, selon une méthode appropriée.
- Les piles peuvent exploser en présence d'une source d'allumage, telle qu'une veilleuse. Pour réduire les risques de blessures graves, ne jamais utiliser un appareil sans fil, quel qu'il soit, en présence d'une flamme vive. En explosant, une pile peut projeter des débris et des produits chimiques. En cas d'exposition, rincer immédiatement les parties atteintes avec de l'eau.
- Si l'outil est utilisé de façon intensive ou sous des températures extrêmes, des fuites de pile peuvent se produire. En cas de contact du liquide avec la peau, rincer immédiatement la partie atteinte avec de l'eau. En cas d'éclaboussure dans les yeux, les rincer à l'eau fraîche pendant au moins 10 minutes, puis contacter immédiatement un médecin. Le respect de cette règle réduira les risques de blessures graves.
- Conserver ces instructions. Les consulter fréquemment et les utiliser pour instruire les autres utilisateurs éventuels. Si cet outil est prêté, il doit être accompagné de ces instructions.






## SYMBOLES

Les termes de mise en garde suivants et leur signification ont pour but d'expliquer le degré de risques associé à l'utilisation de ce produit.

SYMBOLE	NOM	DÉSIGNATION / EXPLICATION
	<b>DANGER :</b>	Indique une situation dangereuse qui, si elle n'est pas évitée, aura pour conséquences des blessures graves ou mortelles.
	<b>AVERTISSEMENT :</b>	Indique une situation dangereuse qui, si elle n'est pas évitée, pourrait entraîner des blessures graves ou mortelles.
	<b>ATTENTION :</b>	Indique une situation dangereuse qui, si elle n'est pas évitée, pourrait entraîner des blessures légères ou de gravité modérée.
	<b>AVIS :</b>	(Sans symbole d'alerte de sécurité) Indique les informations jugées importantes sans toutefois représenter un risque de blessure (ex. : messages concernant les dommages matériels).

# SYMBOLES

Certains des symboles ci-dessous peuvent être utilisés sur produit. Veiller à les étudier et à apprendre leur signification. Une interprétation correcte de ces symboles permettra d'utiliser produit plus efficacement et de réduire les risques.

SYMBOLE	NOM	DÉSIGNATION / EXPLICATION
	Symbole d'alerte de sécurité	Indique un risque de blessure potentiel.
	Lire le manuel d'utilisation	Pour réduire les risques de blessures, l'utilisateur doit lire et veiller à bien comprendre le manuel d'utilisation avant d'utiliser ce produit.
	Protection oculaire	Toujours porter une protection oculaire avec écrans latéraux certifiée conforme à la norme ANSI Z87.1.
	Avertissement concernant l'humidité	Ne pas exposer à la pluie ou l'humidité.
	Symbole de recyclage	Ce produit utilise les piles de lithium-ion (Li-ion). Les réglementations locales ou gouvernementales peuvent interdire de jeter les piles dans les ordures ménagères. Consulter les autorités locales compétentes pour les options de recyclage et/ou l'élimination.
V	Volts	Tension
min	Minutes	Temps
≡	Courant continu	Type ou caractéristique du courant
$n_0$	Vitesse à vide	Vitesse de rotation à vide
.../min	Par minute	Tours, coups, vitesse périphérique, orbites, etc., par minute

# ASSEMBLAGE

## DÉBALLAGE

Ce produit nécessite un assemblage.

- Avec précaution, sortir l'outil et les accessoires de la boîte. Tous les articles énumérés sous **Inclut** doivent se trouver dans l'emballage au moment de l'achat.

### AVERTISSEMENT :

Certaines pièces figurant dans cette section *Assemblage* n'ont pas été installées sur le produit par le fabricant et exigent une installation du client. Le fait d'utiliser un produit qui a été assemblé de façon inadéquate peut entraîner des blessures.

- Si des pièces manquent ou sont endommagées, appeler le 1-800-525-2579.

### AVERTISSEMENT :

Si des pièces manquent ou sont endommagées, ne pas utiliser cet outil avant qu'elles aient été remplacées. Le non-respect de cet avertissement pourrait entraîner des blessures graves.

### AVERTISSEMENT :

Ne pas essayer de modifier cet outil ou de créer des accessoires non recommandés pour l'outil. De telles altérations ou modifications sont considérées comme un usage abusif et peuvent créer des conditions dangereuses, risquant d'entraîner des blessures graves.

# ASSEMBLAGE

## INSTALLATION/RÉGLAGE ENSEMBLE DE POIGNÉE AUXILIAIRE

Voir la figure 1, page 8.

Une poignée auxiliaire est fournie pour faciliter l'opération et aider à prévenir la perte de contrôle. La poignée peut être installée pour une utilisation par un droitier ou un gaucher.

### Pour installer :

- Positionner la poignée pour une utilisation par un droitier ou un gaucher.

**NOTE :** Il faudra peut-être écarter la poignée légèrement pour la glisser sur la base.

- Aligner la vis dans le trou et dans la base de la polisseuse.
- Choisissez la position la plus confortable pour vous.
- Utilisez la clé hexagonale incluse pour bien serrer la vis.
- Répétez les étapes pour l'autre côté.

# UTILISATION

### **AVERTISSEMENT :**

Ne pas laisser la familiarité avec l'outil faire oublier la prudence. Ne pas oublier qu'une fraction de seconde d'inattention peut entraîner des blessures graves.

### **AVERTISSEMENT :**

Toujours retirer la bloc-pile de l'outil au moment d'assembler des pièces, d'effectuer des réglages et de procéder au nettoyage, ou lorsque l'outil n'est pas utilisé. Si cette précaution n'est pas prise, des objets peuvent être projetés dans les yeux et causer des lésions graves.

### **AVERTISSEMENT :**

Toujours porter une protection oculaire munie d'écrans latéraux certifiée conforme à la norme ANSI Z87.1 ainsi qu'une protection auditive. Si une opération dégage de la poussière, porter également un masque anti-poussière.

### **AVERTISSEMENT :**

Ne pas utiliser d'outils ou accessoires non recommandés par le fabricant pour cet outil. L'utilisation de pièces et accessoires non recommandés peut entraîner des blessures graves.

## APPLICATIONS

Cet outil ne doit être utilisé que pour les applications listées ci-dessous :

- Polissage et lustrage de voitures, bateaux, véhicules de camping, véhicules aquatiques personnels, motocyclettes, parquets et grands meubles

## MISE EN MARCHÉ ET ARRÊT DE LA POLISSEUSE

Voir la figure 2, page 8.

- Pour démarrer la polisseuse, régler l'interrupteur sur la position de **MARCHE (I)**.

- Pour arrêter la polisseuse, régler l'interrupteur sur la position **D'ARRÊT (O)**.

Le mouvement orbital de la base rotative de cet outil est aléatoire. Le diamètre d'orbite est de 8 mm (.31 po).

### **AVERTISSEMENT :**

Les outils à piles sont toujours en état de fonctionnement. Par conséquent, le commutateur doit toujours être en position **OFF (O)** lorsque l'outil n'est pas utilisé ou pour le transporter le long du corps, pour insérer ou retirer le bloc-piles et lors de l'installation ou du retrait accessoires.

## CADRAN DE VITESSE VARIABLE

Voir la figure 2, page 8.

Le cadran de vitesse variable se trouve sur le côté de l'outil et permet à la polisseuse de fonctionner à différentes vitesses. Il est possible de régler la vitesse avant ou pendant l'opération. Sélectionnez les vitesses désignées sur l'outil pour les applications suivantes.

Finition..... 3000 à 3800 orbites/min  
Correction..... 3800 à 5800 orbites/min  
Coupe..... 5800 à 7500 orbites/min

## INSTALLATION/RETRAIT DU BLOC-PILES

Voir la figure 3, page 8.

- S'assurer que le que l'interrupteur est en position **D'ARRÊT (O)**.
- Insérer la pile dans l'outil comme illustré.
- S'assurer que le loquet du bloc-piles s'enclenche correctement et que le bloc-pile est sécurisé au l'outil avant de mettre sous tension.
- Mettre le commutateur en position **D'ARRÊT (O)** et appuyer sur le loquet et tirer pour libérer et retirer le bloc-piles.

Pour prendre connaissance des consignes de chargement, consulter le manuel d'utilisation des piles et des chargeurs.

## PRÉPARATION DE LA SURFACE

Pour un résultat optimal, la surface doit être propre et sèche. La plupart des surfaces brillantes peuvent être nettoyées à l'eau savonneuse. Les salissures résistantes, telles que le goudron,

# UTILISATION

la graisse et les insectes écrasés peuvent être éliminées avec une solution légèrement ammoniacale comme les nettoyants pour vitres. Avant d'utiliser tout produit de nettoyage, consulter l'étiquette pour les applications recommandées et suivre le mode d'emploi.

Ne jamais appliquer un produit de nettoyage directement sur la surface à polir. Humecter un chiffon propre avec le produit, puis utiliser ce chiffon pour nettoyer la surface. Ne pas utiliser de produits abrasifs qui pourraient endommager ou rayer la surface.

## FIXATION DES COUSSINETS D'APPLICATION EN MOUSSE

Voir la figure 4, page 9.

### **AVERTISSEMENT :**

Pour éviter tout risque de blessures, toujours retirer le bloc-pile de la polisseuse avant d'installer les bécets.

Trois coussinets sont fournis : un pour la finition, un pour la correction et un pour la coupe de surface. Pour fixer le coussinet de polissage sur la base, aligner le coussinet sur la base et presser le crochet et la boucle ensemble pour bien maintenir le coussinet en place.

## INSTALLATION DU BÉRET DE POLISSAGE

Voir la figure 5, page 9.

La plupart des produits de polissage se présentent sous forme de liquide ou de pâte. Avant d'utiliser tout produit de polissage, lire toutes les instructions d'application et d'utilisation.

**NOTE :** Veiller à ne pas utiliser une trop grande quantité de produit à la fois. Si le coussinet est saturé, il ne durera pas longtemps.

## APPLICATION DU PRODUIT SUR LA SURFACE

Voir les figures 6 et 7, page 9.

### **AVERTISSEMENT :**

Pour éviter la perte de contrôle et les blessures graves, toujours utiliser l'outil avec les deux mains. Pour accroître la stabilité, tenir la polisseuse avec les mains par la poignée arrière et la poignée avant ou auxiliaire.

**NOTE :** S'assurer que le commutateur est réglé à la position **D'ARRÊT (O)** avant de placer le lustreuse/polisseuse sur une surface.

Tout en tenant la polisseuse fermement appuyée contre la surface, mettre le commutateur MARCHE/ARRÊT en position de **MARCHE (I)**. Toujours démarrer et arrêter la polisseuse en la maintenant contre la surface à polir.

Commencer par polir les surfaces plates plus grandes. Utiliser un grand mouvement de balayage croisé comme il est illustré. Ne pas exercer de pression sur la surface avec la polisseuse. Laisser l'action orbitale de la polisseuse et le coussinet de polissage faire le travail.

Une fois les surfaces plates terminées, polir les endroits tels que les portières et les panneaux latéraux. Utiliser de petits mouvements circulaires.

Une fois toute la surface polie, mettre le commutateur MARCHE/ARRÊT en position **ARRÊT (O)** avec le pouce, pour stopper la polisseuse. Attendre que le coussinet soit immobilisé avant de séparer la polisseuse de la surface. Retirer le bloc-pile de la polisseuse.

Pour les endroits difficiles à atteindre, tels que le dessous des pare-chocs et des rétroviseurs, appliquer le produit à la main.

# ENTRETIEN

### **AVERTISSEMENT :**

Utiliser exclusivement des pièces d'origine pour les réparations. L'usage de toute autre pièce pourrait créer une situation dangereuse ou endommager l'produit.

## ENTRETIEN GÉNÉRAL

Éviter d'utiliser des solvants pour le nettoyage des pièces en plastique. La plupart des matières plastiques peuvent être endommagées par divers types de solvants du commerce. Utiliser un chiffon propre pour éliminer la saleté, la poussière, l'huile, la graisse, etc.

## REMPACEMENT DU PATIN D'APPUI

Voir la figure 8

Si le patin d'appui est endommagé ou usé, il peut être remplacé à l'aide de la clé fournie.

- Retirer le bloc-piles.
- Faire glisser la clé dans la fente à la base de la polisseuse.
- Tourner le patin jusqu'à ce que la clé soit calée sur le côté de la fente.
- Continuer à tourner jusqu'à ce que le patin d'appui soit desserré et se détache de la base.
- Fixer le nouveau patin d'appui en inversant ces étapes.

**NOTE: ILLUSTRATIONS COMMENCANT À LA PAGE 8, APRÈS LE SECTION EN ESPAGNOL.**

# ADVERTENCIAS DE SEGURIDAD GENERALES PARA LA HERRAMIENTA ELÉCTRICA



## ADVERTENCIA

Lea todas las advertencias, instrucciones, ilustraciones y especificaciones proporcionadas con esta herramienta eléctrica. No seguir las instrucciones indicadas a continuación puede provocar descargas eléctricas, incendios o lesiones graves.

Guarde todas las advertencias e instrucciones para consultarlas en el futuro. El término “herramienta eléctrica” en las advertencias se refiere a las herramientas eléctricas que funcionan con corriente (con cordón) o las que funcionan con batería (inalámbricas).

## ÁREA DE TRABAJO

- **Mantenga limpia y bien iluminada el área de trabajo.** Un área de trabajo mal despejada o mal iluminada propicia accidentes.
- **No utilice herramientas motorizadas en atmósferas explosivas, como las existentes alrededor de líquidos, gases y polvos inflamables.** Las herramientas eléctricas generan chispas que pueden encender el polvo y los vapores inflamables.
- **Mantenga alejados a los niños y circunstantes al maniobrar una herramienta eléctrica.** Toda distracción puede causar la pérdida del control de la herramienta.

## SEGURIDAD ELÉCTRICA

- **Las clavijas de las herramientas eléctricas deben corresponder a las tomas de corriente donde se conectan. Nunca modifique la clavija de ninguna forma. No utilice ninguna clavija adaptadora con herramientas eléctricas dotadas de contacto a tierra.** Conectando las clavijas originales en las tomas de corriente donde corresponden se disminuye el riesgo de una descarga eléctrica.
- **Evite el contacto del cuerpo con las superficies de objetos conectados a tierra, como las tuberías, radiadores, estufas y refrigeradores.** Existe un mayor riesgo de descargas eléctricas si el cuerpo está haciendo tierra.
- **No exponga las herramientas eléctricas a la lluvia ni a condiciones de humedad.** La introducción de agua en una herramienta eléctrica aumenta el riesgo de descargas eléctricas.
- **No maltrate el cordón eléctrico. Nunca utilice el cordón para trasladar, desconectar o tirar de la herramienta eléctrica. Mantenga el cordón lejos del calor, aceite, bordes afilados y piezas móviles.** Los cordones eléctricos dañados o enredados aumentan el riesgo de descargas eléctricas.
- **Al utilizar una herramienta eléctrica a la intemperie, use un cordón de extensión apropiado para el exterior.** Usando un cordón adecuado para el exterior se disminuye el riesgo de descargas eléctricas.

- **Si debe operar una herramienta en lugares húmedos, use un suministro protegido por un interruptor de circuito con pérdida a tierra (GFCI).** El uso de un GFCI reduce el riesgo de descargas eléctricas.
- **Usar este producto únicamente con la baterías y el cargadores indicados en el folleto de la herramienta/aparato/paquete de baterías/cargador complementario 987000-432.**

## SEGURIDAD PERSONAL

- **Permanezca alerta, preste atención a lo que esté haciendo y aplique el sentido común al utilizar herramientas eléctricas. No utilice la herramienta eléctrica si está cansado o se encuentra bajo los efectos de alguna droga, alcohol o medicamento.** Un momento de inatención al utilizar una herramienta eléctrica puede causar lesiones corporales serias.
- **Utilice protección el equipo otros. Siempre póngase protección ocular.** El uso de equipo protector como mascarilla para el polvo, calzado de seguridad, casco y protección para los oídos en las circunstancias donde corresponda disminuye el riesgo de lesiones.
- **Evite que la herramienta se active accidentalmente. Asegúrese de que el interruptor esté en la posición de apagado antes de conectar la herramienta a un suministro de corriente o de colocar un paquete de baterías.** Transportar herramientas eléctricas con el dedo en el interruptor o enchufar herramientas eléctricas que tienen el interruptor encendido puede ocasionar accidentes.
- **Retire toda llave o herramienta de ajuste antes de encender la herramienta eléctrica.** Toda llave o herramienta de ajuste dejada en una pieza giratoria de la herramienta eléctrica puede causar lesiones.
- **No estire el cuerpo para alcanzar mayor distancia. Mantenga una postura firme y buen equilibrio en todo momento.** De esta manera se logra un mejor control de la herramienta eléctrica en situaciones inesperadas.
- **Vístase adecuadamente. No vista ropas holgadas ni joyas. Mantenga el cabello, la ropa y los guantes alejados de las piezas móviles.** Las ropas holgadas y las joyas, así como el cabello largo, pueden engancharse en las piezas móviles.
- **Si se suministran dispositivos para conectar mangueras de extracción y captación de polvo, asegúrese de que éstas estén bien conectadas y se usen correctamente.** El uso de la captación de polvo puede reducir los peligros relacionados con éste.
- **No permita que la familiaridad obtenida por el uso frecuente de las herramientas lo vuelva complaciente e ignore los principios de seguridad de las herramientas.** Una acción descuidada puede causar lesiones graves en una fracción de segundo.
- **No vista ropas holgadas ni joyas. Recójase el cabello si está largo.** Las ropas holgadas y las joyas, así como el cabello largo, pueden resultar atraídas hacia el interior de las aberturas de ventilación.

# ADVERTENCIAS DE SEGURIDAD GENERALES PARA LA HERRAMIENTA ELÉCTRICA

- **No utilice la unidad al estar en una escalera o en un soporte inestable.** Una postura estable sobre una superficie sólida permite un mejor control de la herramienta eléctrica en situaciones inesperadas.

## EMPLEO Y CUIDADO DE LA HERRAMIENTA ELÉCTRICA

- **No fuerce la herramienta eléctrica. Utilice la herramienta eléctrica adecuada para cada trabajo.** La herramienta eléctrica adecuada efectúa mejor y de manera más segura el trabajo, si además se maneja a la velocidad para la que está diseñada.
- **No utilice la herramienta si el interruptor no enciende o no apaga.** Cualquier herramienta eléctrica que no pueda controlarse con el interruptor es peligrosa y debe repararse.
- **Desconecte el enchufe de la fuente de alimentación o retire el paquete de baterías, si es desmontable, de la herramienta eléctrica antes de realizar ajustes, cambiar accesorios o almacenar herramientas eléctricas.** Tales medidas preventivas de seguridad reducen el riesgo de poner en marcha accidentalmente la herramienta.
- **Guarde las herramientas eléctricas desocupadas fuera del alcance de los niños y no permita que las utilicen personas no familiarizadas con las mismas o con estas instrucciones.** Las herramientas eléctricas son peligrosas en manos de personas no capacitadas en el uso de las mismas.
- **Mantenimiento de las herramientas eléctricas y accesorios. Revise para ver si hay desalineación o atoramiento de piezas móviles, ruptura de piezas o toda otra condición que pueda afectar el funcionamiento de la herramienta eléctrica. Si está dañada la herramienta eléctrica, permita que la reparen antes de usarla.** Numerosos accidentes son causados por herramientas eléctricas mal cuidadas.
- **Mantenga las herramientas de corte afiladas y limpias.** Las herramientas de corte bien cuidadas y con bordes bien afilados, tienen menos probabilidad de atascarse en la pieza de trabajo y son más fáciles de controlar.
- **Use la herramienta eléctrica, los accesorios, las brocas, etc. según estas instrucciones, teniendo en cuenta las condiciones de trabajo y la tarea que se va a realizar.** Si se utiliza la herramienta eléctrica para operaciones diferentes de las indicadas podría originar una situación peligrosa.
- **Mantenga los mangos y superficies de agarre limpias y libres de aceite y grasa.** Los mangos y superficies de agarre resbalosas no permiten la manipulación y control seguro de la herramienta en situaciones inesperadas.

## EMPLEO Y CUIDADO DE LA HERRAMIENTA DE BATERÍAS

- **Sólo cargue el paquete de baterías con el cargador especificado por el fabricante.** Un cargador adecuado para un tipo paquete de baterías puede significar un riesgo de incendio si se emplea con un paquete de baterías diferente.
- **Utilice las herramientas eléctricas sólo con los paquetes de baterías específicamente indicados.** El empleo de paquetes de baterías diferentes puede presentar un riesgo de incendio.
- **Cuando no esté utilizándose el paquete de baterías, manténgalo lejos de otros objetos metálicos, como clips, monedas, llaves, clavos, tornillos o otros objetos metálicos, pequeños que puedan establecer conexión entre ambas terminales.** Establecer una conexión directa entre las dos terminales de las baterías puede causar quemaduras o incendios.
- **Si se maltratan las baterías, puede derramarse líquido de las mismas; evite todo contacto con éste. En caso de contacto, lávese con agua. Si el líquido llega a tocar los ojos, además busque atención médica.** El líquido de las baterías puede causar irritación y quemaduras.
- **No utilice un paquete de baterías o una herramienta que esté dañado o modificado.** Las baterías dañadas o modificadas pueden tener un funcionamiento impredecible que provoque incendios, explosiones o riesgo de lesiones.
- **No exponga el paquete de baterías o una herramienta al fuego o a temperaturas excesivas.** La exposición al fuego o a temperatura sobre los 130 °C (265 °F) puede provocar explosiones.
- **Siga todas las instrucciones de carga y no cargue el paquete de baterías ni la herramienta fuera del rango de temperaturas especificado en las instrucciones.** Si realiza la carga en forma incorrecta o fuera de las temperaturas del rango especificado puede dañar la batería y aumentar el riesgo de incendios.

## SERVICIO

- **Permita que un técnico de reparación calificado preste servicio a la herramienta eléctrica, y sólo con piezas de repuesto idénticas.** De esta manera se mantiene la seguridad de la herramienta eléctrica.
- **Nunca repare paquetes de baterías dañados.** La reparación de paquetes de baterías solo puede ser realizada por el fabricante o proveedores de servicio autorizados.

# ADVERTENCIAS DE SEGURIDAD PARA PULIDORA

- **Sujete las herramientas eléctricas por las superficies aisladas de sujeción al efectuar una operación en la cual la herramienta de corte pueda entrar en contacto con cables ocultos o con su propio cordón eléctrico.** Todo contacto de una herramienta con un cable cargado carga las piezas metálicas expuestas de la herramienta y da una descarga eléctrica al operador.
- **Familiarícese con su herramienta eléctrica. Lea cuidadosamente el manual del operador. Aprenda sus usos y limitaciones, así como los posibles peligros específicos de esta herramienta eléctrica.** Con el cumplimiento de esta regla se reduce el riesgo de una descarga eléctrica, incendio o lesión seria.
- **Siempre use protección ocular con laterales protectores con la marca de cumplimiento con la norma ANSI Z87.1 al ensamblar piezas, utilizar la herramienta o llevar a cabo tareas de mantenimiento.** Con el cumplimiento de esta regla se reduce el riesgo de lesiones corporales serias.
- **Protéjase los pulmones. Use una careta o mascarilla contra el polvo si la operación genera mucho polvo.** Con el cumplimiento de esta regla se reduce el riesgo de lesiones serias.
- **Protéjase los oídos. Durante períodos prolongados de utilización del producto, póngase protección para los oídos.** Con el cumplimiento de esta regla se reduce el riesgo de lesiones corporales serias.
- **No se necesita conectar a una toma de corriente las herramientas de baterías; por lo tanto, siempre están en condiciones de funcionamiento. Esté consciente de los posibles peligros cuando no esté usando la herramienta de baterías o cuando esté cambiando los accesorios de la misma.** Con el cumplimiento de esta regla se reduce el riesgo de una descarga eléctrica, incendio o lesión corporal seria.
- **No coloque herramientas de baterías ni las baterías mismas cerca del fuego o del calor.** De esta manera se reduce el riesgo de explosiones y de lesiones.
- **No aplaste, deje caer o dañe de baterías. Nunca utilice una batería o cargador que se ha caído, aplastado, recibido un golpe contundente o ha sido dañado(a) de alguna manera.** Las baterías dañadas pueden sufrir explosiones. Deseche de inmediato toda batería que haya sufrido una caída o cualquier daño.
- **Las baterías pueden explotar en presencia de fuentes de inflamación, como los pilotos de gas.** Para reducir el riesgo de lesiones serias, nunca use un producto inalámbrico en presencia de llamas expuestas. La explosión de una batería puede lanzar fragmentos y compuestos químicos. Si ha quedado expuesto a la explosión de una batería, lávese de inmediato con agua.
- **En condiciones extremas de uso o temperatura las baterías pueden emanar líquido. Si el líquido llega a tocarle la piel, lávese de inmediato con agua y jabón. Si le entra líquido en los ojos, láveselos con agua limpia por lo menos 10 minutos, y después busque de inmediato atención médica.** Con el cumplimiento de esta regla se reduce el riesgo de lesiones corporales serias.
- **Guarde estas instrucciones.** Consúltelas con frecuencia y empléelas para instruir a otras personas que puedan utilizar esta herramienta. Si presta a alguien esta herramienta, facilítele también las instrucciones.

## SÍMBOLOS






Las siguientes palabras de señalización y sus significados tienen el objeto de explicar los niveles de riesgo relacionados con este producto.

SÍMBOLO	SEÑAL	SIGNIFICADO
	<b>PELIGRO:</b>	Indica una situación peligrosa, la cual, si no se evita, causará la muerte o lesiones serias.
	<b>ADVERTENCIA:</b>	Indica una situación peligrosa, la cual, si no se evita, podría causar la muerte o lesiones serias.
	<b>PRECAUCIÓN:</b>	Indica una situación peligrosa, la cual, si no se evita, podría causar lesiones menores o leves.
	<b>AVISO:</b>	(Sin el símbolo de alerta de seguridad) Indica la información que se considera importante, pero no relacionada con lesiones potenciales (por ej. en relación a daños a la propiedad).



# SÍMBOLOS

Es posible que se empleen en este producto algunos de los siguientes símbolos. Le suplicamos estudiarlos y aprender su significado. Una correcta interpretación de estos símbolos le permitirá utilizar mejor y de manera más segura el producto.

SÍMBOLO	NOMBRE	DENOMINACIÓN/EXPLICACIÓN
	Alerta de seguridad	Indica un peligro posible de lesiones personales.
	Lea el manual del operador	Para reducir el riesgo de lesiones, el usuario debe leer y comprender el manual del operador antes de usar este producto.
	Protección ocular	Siempre póngase protección ocular con protección lateral con la marca de cumplimiento de la norma ANSI Z87.1.
	Alerta de condiciones húmedas	No exponga la unidad a la lluvia ni la use en lugares húmedos.
	Símbolo de reciclado	Este producto utiliza baterías de iones de litio (Li-ion). Es posible que algunas leyes municipales, estatales o federales prohíban desechar las baterías en la basura normal. Consulte a las autoridades reguladoras de desechos para obtener información en relación con las alternativas de reciclado y desecho disponibles.
V	Volts	Voltaje
min	Minutos	Tiempo
==	Corriente continua	Tipo o característica de corriente
$n_0$	Velocidad en vacío	Velocidad de rotación, en vacío
.../min	Por minuto	Revoluciones, carreras, velocidad superficial, órbitas, etc., por minuto

# ARMADO

## DESEMPAQUETADO

Este producto requiere armarse.

- Extraiga cuidadosamente de la caja la herramienta y los accesorios. Todos los elementos enumerados en la sección **Incluye** se deben incluir al momento de la compra.

### ADVERTENCIA:

Las piezas incluidas en esta sección de Armado no vienen ensambladas en el producto de fábrica y requieren la instalación por parte del cliente. El uso de un producto que pueda haber sido armado de manera incorrecta podría provocar lesiones personales graves.

- Si hay alguna pieza dañada o faltante, appeler le 1-800-525-2579.

### ADVERTENCIA:

Si falta o está dañada alguna pieza, no utilice este producto sin haber reemplazado la pieza. Usar este producto con partes dañadas o faltantes puede causar lesiones serias al operador.

### ADVERTENCIA:

No intente modificar este producto ni hacer aditamentos ni accesorios no recomendados para el mismo. Cualquier alteración o modificación constituye maltrato el cual puede causar una condición peligrosa, y como consecuencia posibles lesiones corporales serias.

# ARMADO

## INSTALACIÓN/AJUSTE DE MANGO AUXILIAR

Vea la figura 1, página 13.

Se incluye un mango auxiliar para facilitar la operación y ayudar a prevenir la pérdida de control. El mango se puede montar para usar con la mano izquierda o derecha.

### Para instalarlo:

- Coloque el mango para usar con la mano derecha o izquierda.

**NOTA:** Es posible que deba extender el mango ligeramente para permitir que se deslice sobre la base.

- Alinee el tornillo metiéndolo en el orificio y en la base de la pulidora.
- Elija la posición que le resulte más cómoda.
- Utilice la llave hexagonal incluida para ajustar firmemente el tornillo.
- Repita el proceso del otro lado.

# FUNCIONAMIENTO

## ADVERTENCIA:

No permita que su familiarización con las herramientas lo vuelva descuidado. Tenga presente que un descuido de un instante es suficiente para causar una lesión grave.

## ADVERTENCIA:

Siempre retire el paquete de baterías de la herramienta cuando esté ensamblando partes, realizando ajustes, limpiando o cuando ésta no esté en uso. Retirando el paquete de baterías se evita arrancar accidentalmente la unidad, lo cual puede causar lesiones serias.

## ADVERTENCIA:

Use siempre protección ocular con protección lateral con la marca de cumplimiento de la norma ANSI Z87.1 junto con protección auditiva. Si no cumple esta advertencia, los objetos que salen despedidos pueden producirle lesiones serias en los ojos.

## ADVERTENCIA:

No utilice ningún aditamento o accesorio no recomendado por el fabricante de este producto. El empleo de aditamentos o accesorios no recomendados podría causar lesiones serias.

## APLICACIONES

Este producto puede emplearse para los fines siguientes:

- El pulido y dar brillo coches, los barcos, RVs, watercraft personal, las motocicletas, pisos de madera dura, y muebles grandes

## ENCENDIDO Y APAGADO DE LA PULIDORA

Vea la figura 2, página 8.

- Para arrancar la pulidora, coloque el interruptor de corriente en la posición de **ON (I)**.

- Para detener la pulidora, coloque el interruptor de corriente en la posición de **OFF (O)**.

La base rotatoria de la herramienta se mueve con un movimiento orbital aleatorio. El diámetro de la órbita es de 8 mm (.31 pulg.)

## ADVERTENCIA:

Herramientas de baterías se encuentran siempre en condiciones de funcionamiento. Por lo tanto, el interruptor debe estar siempre en la posición **OFF (O)** cuando no esté en uso o la lleva a su lado, al instalar o extraer la batería, y al instalar o retirar los accesorios.

## SELECTOR DE VELOCIDAD VARIABLE

Vea la figura 2, página 8.

El selector de velocidad variable está ubicado en el costado de la herramienta y permite que la pulidora funcione a diferentes velocidades. La velocidad se puede ajustar antes o durante el funcionamiento. Seleccione las velocidades designadas en la unidad para las siguientes aplicaciones.

Acabado .....	2500 – 3500 OPM
Corrección .....	4500 – 5500 OPM
Corte.....	6500 – 7500 OPM

## INSTALACIÓN/DESMONTAR DEL PAQUETE DE BATERÍAS

Vea la figura 3, página 8.

- Asegúrese de que el interruptor esté en la posición de apagado **[OFF](O)**.
- Coloque el paquete de baterías en el producto como se muestra.
- Asegúrese de que el pestillo del paquete de baterías entre a presión en su lugar, y de que el paquete quede bien asegurado en el taladro antes de empezar a utilizar éste.
- Ponga el interruptor en la posición de apagado **[OFF](O)** y presione los pestillo y tire para déclenchement et quitar el paquete de baterías.

Para obtener instrucciones específicas de carga, lea el manual del operador que se incluye con el cargador y la batería.

# FUNCIONAMIENTO

## PREPARE LA SUPERFICIE

Para lograr resultados óptimos, la superficie debe estar limpia y seca. La mayoría de las superficies de alto lustre pueden limpiarse con una solución de jabón suave y agua. Para eliminar suciedad difícil de quitar como brea del pavimento, grasa y manchas de insectos, puede utilizarse una solución suave de amoníaco como la empleada en los productos limpiadores de vidrio. Antes de utilizar cualquier producto de limpieza, lea la etiqueta para ver los usos recomendados y siga las instrucciones de empleo.

Nunca aplique el limpiador directamente en la superficie por pulir. Aplíquelo en un paño limpio y después utilice éste para limpiar la superficie. No utilice ningún tipo de limpiador abrasivo ya que puede dañar o rasguñar la superficie.

## CÓMO COLOCAR LAS ALMOHADILLAS DE ESPUMA

Vea la figura 4, página 9.

### ADVERTENCIA:

Para evitar lesiones, siempre extraiga el paquete de baterías de la pulidora antes de colocar los bonetes.

Se incluyen tres almohadillas: una para acabado, otra para corrección y otra para cortar la superficie. Para colocar la almohadilla de pulido en la base, alinee la almohadilla con la base y presione el abrojo para mantener la almohadilla en su lugar de forma segura.

## APLIQUE PULIMENTO EN EL BONETE DE APLICAR

Vea la figura 5, página 9.

La mayoría de los pulimentos vienen en pasta o en forma líquida. Antes de usar cualquier pulimento lea todas las instrucciones sobre los usos del producto y la forma correcta de empleo.

**NOTA:** Tenga cuidado de no usar demasiado pulimento a la vez. Si se satura la almohadilla, dura menos.

### ADVERTENCIA:

Para evitar la pérdida del control y posibles lesiones personales graves, siempre opere la herramienta con ambas manos. Para lograr mayor estabilidad, sostenga el pulidor con las manos en el mango trasero y en el mango delantero o auxiliar.

## APLIQUE EL PULIMENTO A LA SUPERFICIE

Vea las figuras 6 y 7, página 9.

**NOTA:** Asegúrese de que el interruptor esté en la posición de apagado [OFF(O)] antes de colocar el pulidora en cualquier superficie.

Mientras mantiene la pulidora firmemente contra la superficie, empuje (hacia la izquierda) el interruptor de encendido (ON/OFF) para ponerlo en la posición de **ON (I) (ENCENDIDO)**. Siempre encienda y apague la pulidora teniéndola contra la superficie de trabajo.

Comience puliendo superficies planas más grandes. Utilice un movimiento de barrido amplio con un patrón entrecruzado como se muestra en la imagen. No presione la superficie con la pulidora. Deje que la acción orbital de la pulidora y la almohadilla de pulido hagan el trabajo.

Una vez cubiertas las superficies planas, encere las superficies curvas como las puertas y los paneles laterales de los coches. Siga movimientos en círculo.

Después de aplicar pulimento a toda la superficie, apague la pulidora; para ello, con el dedo pulgar empuje el interruptor de encendido ON/OFF. Espere hasta que deje de girar la almohadilla antes de levantar de la superficie la pulidora. Desconecte la pulidora. Extraiga el paquete de baterías de la pulidora.

Para áreas de difícil acceso, como la parte inferior de los parachoques o de los espejos laterales, aplique a mano el pulimento.

# MANTENIMIENTO

### ADVERTENCIA:

Al dar servicio a la unidad, sólo utilice piezas de repuesto idénticas. El empleo de piezas diferentes podría causar un peligro o dañar el producto.

## MANTENIMIENTO GENERAL

Evite el empleo de solventes al limpiar piezas de plástico. La mayoría de los plásticos son susceptibles a diferentes tipos de solventes comerciales y pueden resultar dañados. Utilice paños limpios para eliminar la suciedad, el polvo, el aceite, la grasa, etc.

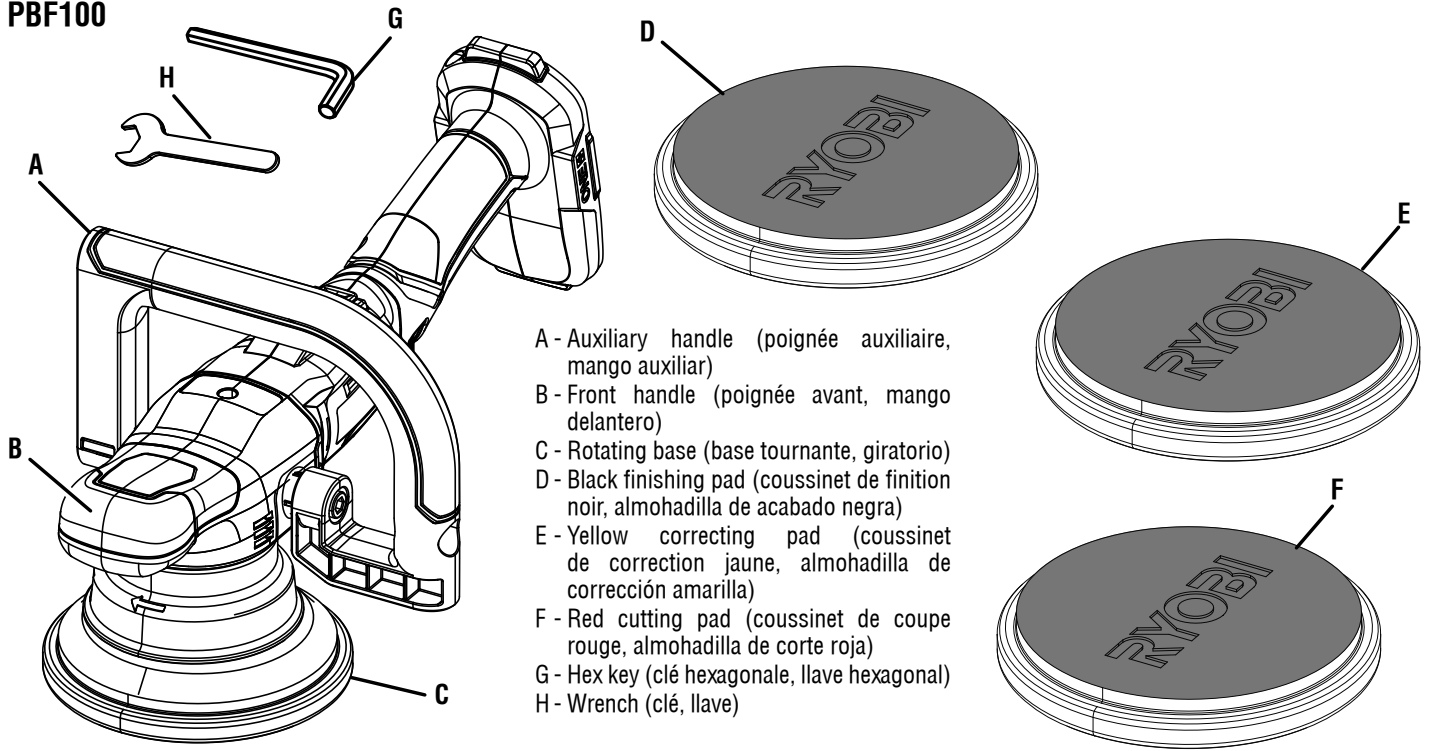
## CÓMO REEMPLAZAR LA ALMOHADILLA DE RESPALDO

Vea la figura 8

Si la almohadilla de respaldo se daña o desgasta, puede reemplazarse con la llave incluida.

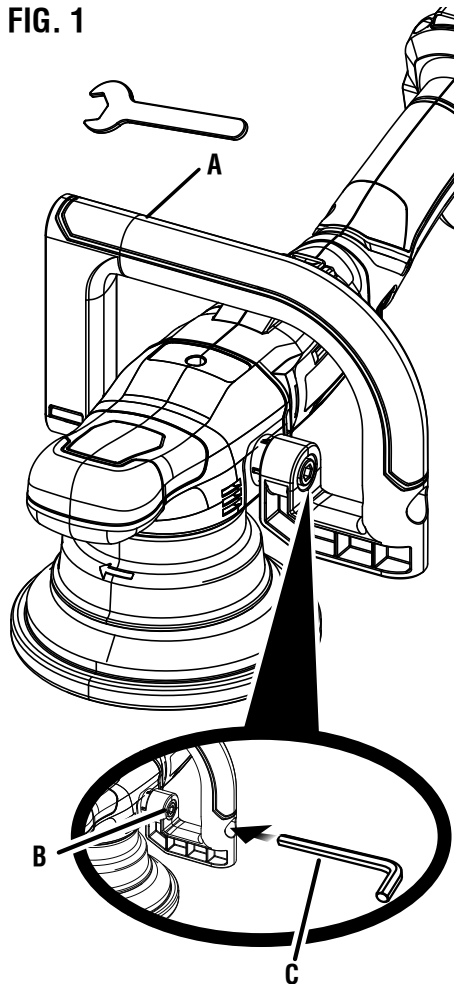
- Quite el paquete de baterías.
- Deslice la llave en la ranura de la base de la pulidora.
- Gire la almohadilla hasta que la llave esté sujeta al costado de la ranura.
- Continúe girando la almohadilla hasta que se afloje y se suelte de la base.
- Coloque la nueva almohadilla de respaldo invirtiendo estos pasos.

PBF100



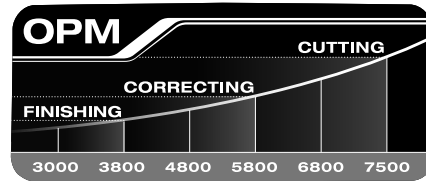
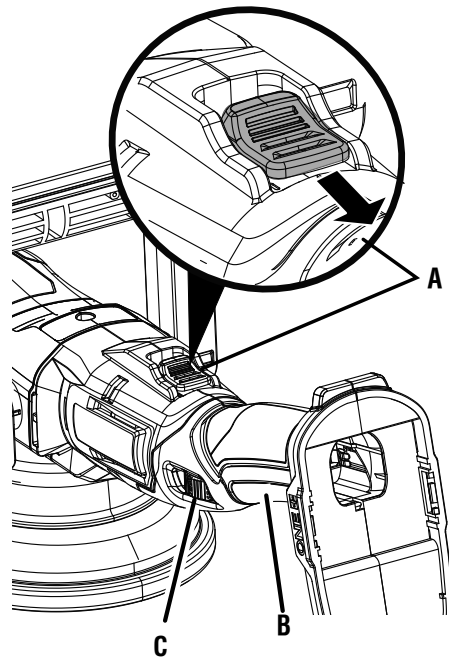
- A - Auxiliary handle (poignée auxiliaire, mango auxiliar)
- B - Front handle (poignée avant, mango delantero)
- C - Rotating base (base tournante, giratorio)
- D - Black finishing pad (cousinet de finition noir, almohadilla de acabado negra)
- E - Yellow correcting pad (cousinet de correction jaune, almohadilla de corrección amarilla)
- F - Red cutting pad (cousinet de coupe rouge, almohadilla de corte roja)
- G - Hex key (clé hexagonale, llave hexagonal)
- H - Wrench (clé, llave)

FIG. 1



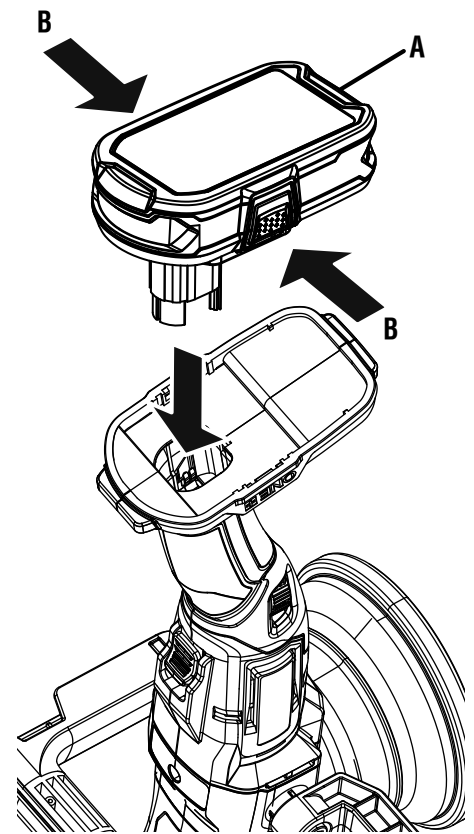
- A - Auxiliary handle (poignée auxiliaire, mango auxiliar)
- B - Screw (vis, tornillo)
- C - Hex key (clé hexagonale, llave hexagonal)

FIG. 2



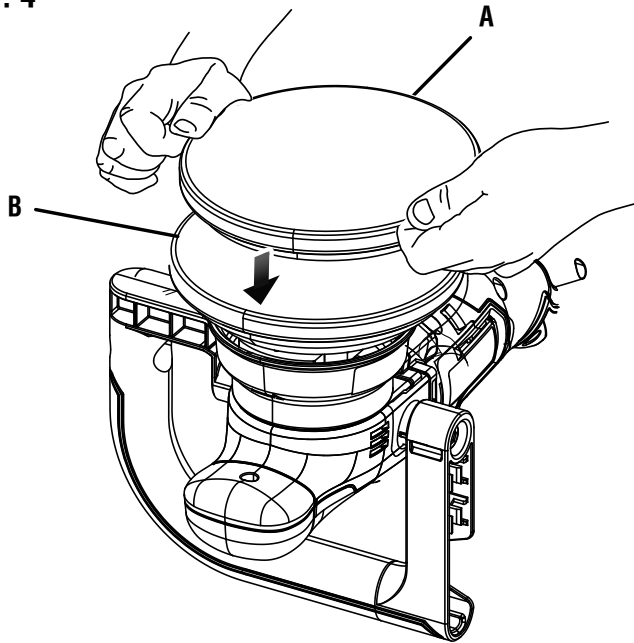
- A - Lock out button (bouton de verrouillage, botón de seguro)
- B - On/off switch (interrupteur de moteur, interruptor de alimentación)
- C - Variable speed dial (cadran de vitesse variable, selector de velocidad variable)

FIG. 3



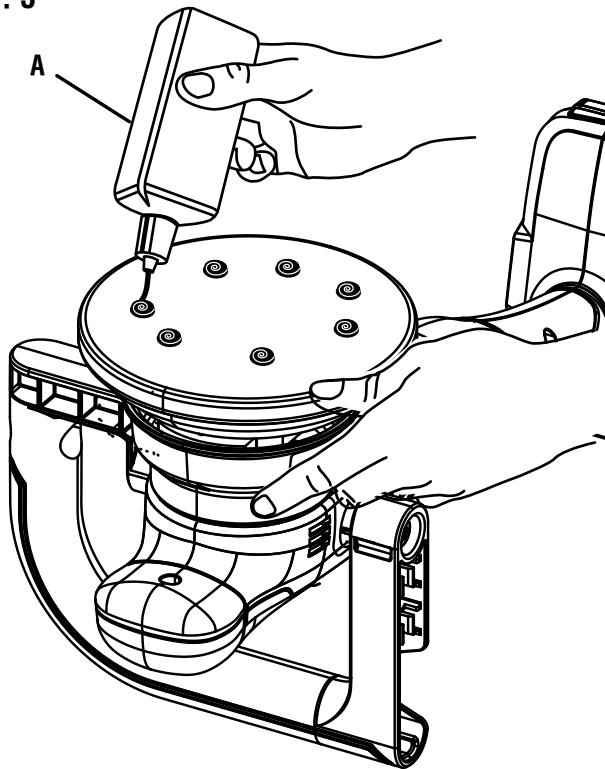
- A - Battery pack (bloc-pile, paquete de baterías)
- B - Depress the latch and pull to release and remove the battery pack. (appuyer sur le loquet et tirer pour libérer et retirer le bloc-piles, presione los pestillo y tire para déclenchement et quitar el paquete de baterías)

FIG. 4



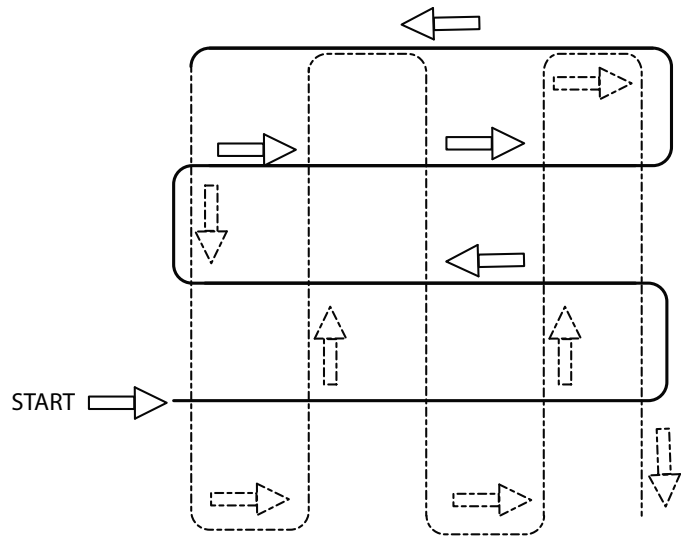
A - Application foam pad (coussinet d'application en mousse, almohadilla de espuma de aplicación)  
 B - Base (base, base)

FIG. 5



A - Liquid polish (produit liquide, pulimento liquido)

FIG. 6



A - Recommended polishing pattern (modèle de polissage recommandé, patrón de pulido recomendado)

FIG. 7

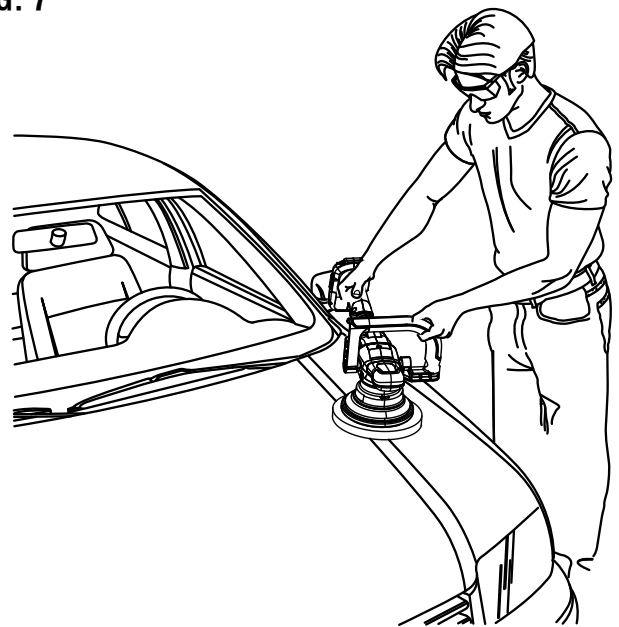
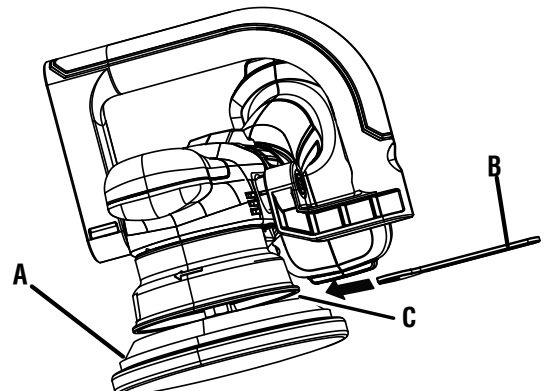


FIG. 8



A - Backer pad (patin d'appui, almohadilla de respaldo)  
 B - Wrench (clé, llave)  
 C - Slot (fente, ranura)





## OPERATOR'S MANUAL/18 VOLT 5-IN. VARIABLE SPEED DUAL ACTION POLISHER

MANUEL D'UTILISATION/POLISSEUSE À DOUBLE ACTION À VITESSE  
VARIABLE DE 127 mm (5 po) ET 18 V

MANUAL DEL OPERADOR/PULIDORA DE DOBLE ACCIÓN DE VELOCIDAD  
VARIABLE DE 18 VOLTIOS Y 127 mm (5 pulg.)

**PBF100**

To request service, purchase replacement parts,  
locate an Authorized Service Center or obtain Customer or Technical Support:  
Visit [www.ryobitools.com](http://www.ryobitools.com) or call **1-800-525-2579**

If any parts or accessories are damaged or missing, do not return this product to the store.  
Call **1-800-525-2579** for immediate service.

Please obtain your model and serial number from the product data plate.  
**This product is covered under a 3-year limited Warranty. Proof of purchase is required.**

MODEL NUMBER\* \_\_\_\_\_ SERIAL NUMBER \_\_\_\_\_

*\*Model number on product may have additional letters at the end. These letters designate  
manufacturing information and should be provided when calling for service.*

RYOBI is a registered trademark of Ryobi Limited and is used pursuant to a license granted by Ryobi Limited.

Pour faire une demande de réparations ou obtenir des pièces de rechange, trouver un  
Centre de réparations agréé pour obtenir un soutien technique ou le Service à la clientèle :  
Visiter [www.ryobitools.com](http://www.ryobitools.com) ou en téléphonant au **1-800-525-2579**

Si des pièces ou accessoires sont manquantes ou endommagées, ne pas retourner  
ce produit au magasin. Appeler immédiatement au **1-800-525-2579** pour obtenir de l'aide.

Inscrire les numéros de modèle et de série inscrits sur la plaque d'identification du produit.  
**Ce produit est couvert par une garantie limitée de trois (3) ans. Une preuve d'achat est exigée.**

NUMÉRO DE MODÈLE\* \_\_\_\_\_ NUMÉRO DE SÉRIE \_\_\_\_\_

*\*Le numéro de modèle sur le produit peut contenir des lettres supplémentaires à la fin. Ces lettres désignent  
les informations du fabricant et doivent être fournies lors d'un appel de demande de service.*

RYOBI est une marque déposée de Ryobi Limited et est utilisée en vertu d'une licence accordée par Ryobi Limited.

Para obtener servicio, comprar piezas de repuesto, localizar un centro de servicio autorizado  
y obtener Servicio o Asistencia Técnica al Consumidor:

Visite [www.ryobitools.com](http://www.ryobitools.com) (en la EE.UU.) o [www.ryobitools.mx](http://www.ryobitools.mx) (en México)  
o llame al **1-800-525-2579** (en la EE.UU.) o **01-800-843-1111** (en México).

Si hay alguna pieza o accesorios dañada o faltante, no devuelva este producto a la tienda.  
Llame al **1-800-525-2579** (en la EE.UU.) o **01-800-843-1111** (en México) para servicio técnico inmediato.

Obtenga su modelo y número de serie de la placa de datos del producto.  
**Este producto está cubierto con una garantía limitada de 3 años. Se solicita prueba de la compra.**

NÚMERO DE MODELO\* \_\_\_\_\_ NÚMERO DE SERIE \_\_\_\_\_

*\*El número de modelo que figura en el producto podría tener letras adicionales al final. Estas designan información  
de fabricación y deben suministrarse cuando llame para obtener asistencia o servicio.*

RYOBI es una marca registrada de Ryobi Limited y se utiliza conforme a una licencia otorgada por Ryobi Limited.

### ONE WORLD TECHNOLOGIES, INC.

P.O. Box 1288, Anderson, SC 29622 • Phone 1-800-525-2579

États-Unis, Téléphone 1-800-525-2579 • USA, Teléfono 1-800-525-2579