

### Features

- Two-function pull-out sprayhead with touch-control allows you to switch from aerated stream to spray.
- KOHLER ceramic disc valves exceed industry longevity standards for a lifetime of durable performance.
- ProMotion® technology's light, quiet braided hose and swiveling ball joint make the pull-out sprayhead easier and more comfortable to use.
- MasterClean™ sprayface features an easy-to-clean surface that withstands mineral buildup.
- Single lever handle is simple to use and makes adjusting water temperature easy.
- Temperature memory allows faucet to be turned on and off at the temperature set during prior usage.

### Material

- 1.8 gpm (6.8 lpm) maximum flow rate at 60 psi (4.1 bar).
- Premium metal construction for durability and reliability.
- KOHLER finishes resist corrosion and tarnishing.

### Installation

- Single- or three-hole installation (escutcheon included).
- Flexible supply lines simplify installation.

### Recommended Products/Accessories

K-23723 Faucet cleaner

### Optional Products/Accessories

1012715 Kitchen Faucet Deep Rough-In Kit



ADA CSA B651

### Codes/Standards


ASME A112.18.1/CSA B125.1  
NSF/ANSI 372  
NSF/ANSI 61  
All applicable US Federal and State material regulations  
DOE - Energy Policy Act 1992  
California Energy Commission (CEC)  
ADA  
ICC/ANSI A117.1  
CSA B651

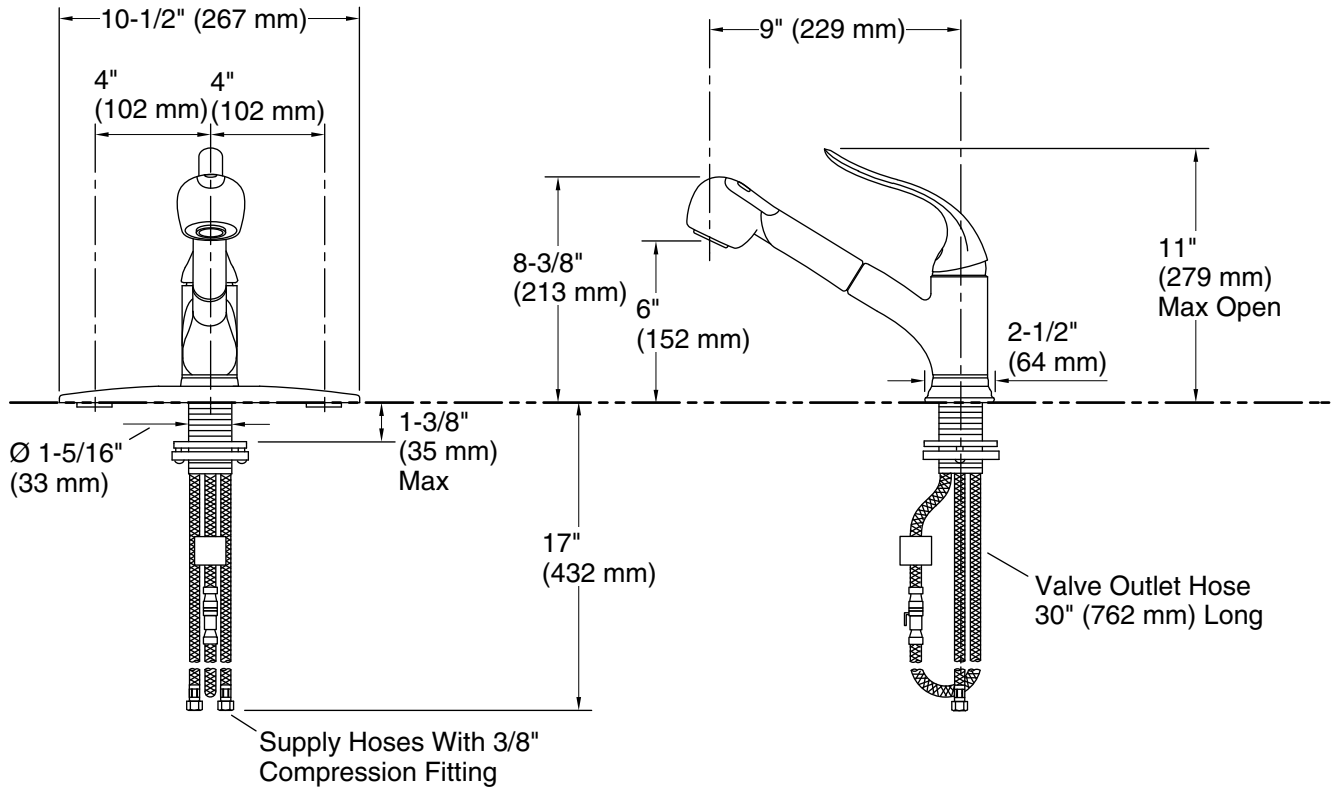
### KOHLER® Faucet Lifetime Limited Warranty

See website for detailed warranty information.

### Available Colors/Finishes

*Color tiles intended for reference only.*

Color	Code	Description
	CP	Polished Chrome
	BN	Vibrant® Brushed Nickel
	96	Biscuit



## Technical Information

All product dimensions are nominal.

## Notes

Install this product according to the installation guide.

All necessary parts included for both single-hole and three-hole installation.

ADA, CSA B651 compliant when installed to the specific requirements of these regulations.