



RECHARGEABLE  
**CORDLESS**  
HANDHELD VACUUM



**3**  
PIECE SET  
INCLUDES:  
1-RUVIO VACUUM  
1-CREVICE NOZZLE  
1-CHARGING STATION



LIGHTWEIGHT



ULTRA POWERFUL MOTOR



BAGLESS



MAXIMUM SUCTION



RECHARGEABLE

**RUVIO™ PRO CORDLESS VACUUM CLEANER ITEM NO. 8558ENG**  
DISTRIBUTED BY EMSON® NY, NY, 10001  
©2022 EMSON® ALL RIGHTS RESERVED. MADE IN CHINA.

INSTRUCTION MANUAL

Important Information.....2  
 General information.....2  
 Important safety instructions .....2  
 Explanation of symbols.....5  
 Proper use.....6  
 Safety instructions .....6  
 Product components.....9  
 Optional accessories.....10  
 Prior to first use .....11  
 Setting up the charging station .....11  
 Charging the Ruvio vacuum cleaner .....12  
 Usage .....12  
 Dust container .....14  
 Filters .....14  
 Cleaning.....15  
 Troubleshooting.....16  
 Disposal .....17  
 Technical Specifications .....18

**Read and retain the user manual!**

This user manual includes valuable information regarding safety and use. Carefully read the user manual, in particular, the safety instructions, before using your Ruvio vacuum cleaner. Failure to comply with this user manual may result in serious injuries or damage to the Ruvio vacuum cleaner.

You must also adhere to country-specific guidelines and laws. Retain the user manual for further use. If you pass the Ruvio vacuum cleaner on to third parties, you must have this user manual over with it.

**IMPORTANT SAFETY INSTRUCTIONS**

When using an electrical appliance, basic precautions should always be followed, including the following.

**WARNING: Read all safety warnings and instructions. Failure to follow the warnings and instructions may result in electric shock fire and / or serious injury.**

**FOR HOUSEHOLD USE ONLY**

**WARNING-To reduce the risk of fire, electric shock, or injury:**

- Do not leave appliance when plugged in. Unplug from outlet when not in use and before servicing.
- Do not allow to be used as a toy. Close attention is necessary when used by or near children.
- Use only as described in this manual. Use only manufacturer's recommended attachments.
- Do not use with damaged cord or plug. If appliance is not working as it should, has been dropped, damaged, left outdoors, or dropped into water, return it to a service center.
- Do not pull or carry by cord, use cord as a handle, close a door on cord, or pull cord around sharp edges or corners. Do not run appliance over cord, Keep cord away from heated surfaces.
- Do not unplug by pulling on cord. To unplug, grasp the plug, not the cord.
- Do not handle plug or appliance with wet hands.
- Do not use without filter in place.
- Do not put any object into openings. Do not use with any opening blocked; keep free of dust, lint, hair, and anything that may reduce air flow.
- Keep hair, loose clothing, fingers, and all parts of body away from Openings and moving parts.
- Turn off all controls before unplugging.
- Use extra care when cleaning on stairs.
- Do not use to pick up flammable or combustible liquids, such as gasoline, or use in areas where they may be present.
- **WARNING-To Reduce The Risk Of Electric Shock-Do not use outdoors or on wet surfaces.**

## Important Information

- Do not pick up anything that is burning or smoking, such as cigarettes matches or hot ashes.
- Prevent unintentional starting. Ensure the switch is in the off-position before connecting to battery pack, picking up or carrying the appliance. Carrying the appliance with your finger on the switch or energizing appliance that have the switch on invites accidents.
- Recharge only with the charger specified by the manufacturer from Gangqi type GQ12-140080-AU and EOBAR type EBS012D-1400800AU-P. A charger that is suitable for one type of battery pack may create a risk of fire when used with another battery pack.
- Use appliances only with specifically designated battery packs <VC-001.1 (SF18650NR-25) 3INR19/66>.
- Use of any other battery packs may create a risk of injury and fire.
- When battery pack is not in use, keep it away from other metal objects, like paper clips, coins, keys, nails, screws or other small metal objects, that can make a connection from one terminal to another. Shorting the battery terminals together may cause burns or a fire.
- Under abusive conditions, liquid may be ejected from the battery avoid contact. If contact accidentally occurs, flush with water. If liquid contacts eyes, additionally seek medical help. Liquid ejected from the battery may cause irritation or burns.
- Do not use a battery pack or appliance that is damaged or modified. Damaged or modified batteries may exhibit unpredictable behavior resulting in fire, explosion or risk of injury.
- Do not expose a battery pack or appliance to fire or excessive temperature. Exposure to fire or temperature above 265°F (130°C) may cause explosion.
- Follow all charging instructions and do not charge the battery pack or appliance outside of the temperature range specified in the instructions. Charging improperly or at temperatures outside of the specified range may damage the battery and increase the risk of fire.
- Have servicing performed by a qualified repair person using only identical replacement parts.
- This will ensure that the safety of the product is maintained.
- Do not modify or attempt to repair the appliance or the battery pack except as indicated in the instructions for use and care.
- Do not put the vacuum cleaner close to fire or other high temperature facility.
- Do not use or store the machine under extreme bad conditions, for example, extreme temperature. It is recommended to use it indoors between the temperature of 41°F (5°C) to 104°F (40°C). Store the machine in dry place and avoid direct sunlight.
- Fully charge the battery before first use or after long storage.
- Before using the vacuum cleaner, make sure brushroll is assembled, otherwise, it may lead to motor fan blockage, causing motor burn out.

## Important Information

- Please do not use the vacuum cleaner to pick up detergent, oil, glass slag, needle, cigarette ash, wet dust, water, matches, etc.
- Please do not use the vacuum cleaner to pick up tiny particles such as cement, gypsum powder, wall powder, or large objects such as paper balls, otherwise it will cause malfunctions such as blockage and motor burnout.
- Do not pour or splash water or other liquids into the machine to avoid short circuit to burn out the machine.
- When storing the machine for a long time, ensure that the battery is fully charged before storage and charge the machine at least every three months.
- Unplug the charger to clean or repair the machine. Hold the charger when plugging or unplugging it, and do not pull the charging cord.
- Use a dry cloth to clean the machine. Liquids like gasoline, alcohol, lacquer thinner will cause crack or colour fading and cannot be used.
- If the machine is not working after fully charged, it must be checked and repaired in our designated office, please do not dismantle the machine on your own.
- When discard the machine, please press the button to release the battery pack, take out the battery pack, make sure the machine is disconnected with power and handled properly. Do not throw into fire,water or soil.
- If the battery liquid leakage touches your skin or clothes, wash it with water, if there is any discomfort, please go to hospital immediately.
- Do not use non-original battery pack, avoiding machine damage and safety problems.
- Avoid to use the vacuum cleaner to pick up easily blockable things such as: plastic bags, candy paper, big scrap of paper, which might affect the function, even cause failure of working. Please clean the foreign matter on the floor head in time, then it will work normally. The discarded battery pack shall be recycled safely, do not throw away casually.

## PRECAUTIONS

The vacuum cleaner is specially used for household purpose, and please do not use it for commercial or other purposes.

- Please don't use the vacuum cleaner to suck detergent, kerosene, glass waste, needles, cigarette ash, moisturized dust, sewage, matches and similar articles.
- Please don't use the vacuum cleaner to suck cement, gypsum powder, wall power and similar small particles, or toy, paper filler and other larger objects, which can cause vacuum cleaner clogging, motor burnout and other fault.
- Please don't use the vacuum cleaner near fire source and other high temperature places.
- Before using the vacuum cleaner, please make sure the Hepa filter and ground brush roller are installed properly, otherwise it may clog motor cooling fan, which will result motor burned-out.

- When the vacuum cleaner is used, please note that the suction inlet can not be clogged and roller can not be blocked, otherwise motor failure may be caused.
- Please do not use dump or splash water or other liquid into the machine, thereby avoiding short-circuit and burn-out of machine.
- Before new battery is used or the battery is used for the first time after long-term storage, please fully charge the battery. When the machine is stored and not used for long term, please ensure that the battery power is enough, and ensure that the battery should be charged and discharged at least once every three months.
- When your vacuum cleaner is fully charged, and requires cleaning or repair, please remove the plug of the charger timely. Please hold the charger when the power cord is removed and inserted, and please do not pull the charging power cord.
- Please use any cloth cleaning vacuum cleaner, do not use gasoline, alcohol, banana oil etc. Otherwise shell cracking or fading will be caused.
- Please do not use and store the machine in extremely adverse conditions, such as extreme temperature, it is suggested that the vacuum cleaner can be used in room with environmental temperature between 41°F-104°F (5°C-40°C). Please store it in a cool and dry place. Sunlight exposure for long time should be prohibited.
- When the vacuum cleaner is used, hands can't be placed in the suction inlet of ground brush, otherwise it is easy to cause personal injury.

## SAVE THESE INSTRUCTIONS

### EXPLANATION OF SYMBOLS

The following symbols and signal words are used in this user manual, on the Ruvio vacuum cleaner or on the packaging.



#### WARNING!

This signal symbol/word refers to a hazard with moderate risk, which may result in death or serious injury if not avoided.



#### CAUTION!

This signal symbol/word refers to a hazard with low risk, which may result in minor or moderate injury if not avoided.



#### NOTE!

This signal/word warns against potential damage.

### PROPER USE

This appliance can be used by children aged from 8 years and above and persons with reduced physical, sensory or mental capabilities or lack of experience and knowledge provided they have been given supervision or instruction concerning use of the appliance in a safe way and understand the hazards involved. Children shall not play with the appliance. Cleaning and user maintenance shall not be made by children without supervision. The appliance is only to be used with the power supply unit provided with the appliance.

Warning: Use appliance only with Approved Battery <VC-001.1(SF18650NR-25) 31NR19/66>. For the purposes of recharging the battery, only use the detachable supply unit provided with this appliance. <BZ12L-140080> or <GQ12-140080-AU> This appliance contains batteries that are non-replaceable. The Ruvio vacuum cleaner is designed exclusively for the suction of loose, **DRY** dirt ex. household dirt, lint, crumbs and dust. It is only intended for private use and is not suitable for commercial areas. Only use the Ruvio vacuum cleaner as described in this user manual. All other use is deemed improper use and may cause material damages or even personal injury. The Ruvio vacuum cleaner is not a toy. The manufacturer and distributor accept no liability for damages resulting from improper or incorrect use.

### SAFETY INSTRUCTIONS



#### WARNING!

#### RISK OF ELECTROCUTION!

Improper electrical installation or excessive mains voltages can result in electric shock.

- Only switch the Ruvio vacuum cleaner on if the mains voltage of the plug socket matches the specification on the type plate of the power supply.
- Do not operate the Ruvio vacuum cleaner if it has visible damage or if the power supply is defective.
- The power cable of the power supply cannot be replaced. Dispose of the power supply if it is damaged and replace it with a power supply of the same type.
- Under no circumstances should you open the casing of the Ruvio vacuum cleaner. Instead, have repairs carried out by an expert. To this end you should use a specialist workshop. In the case of repairs performed independently, improper connection or incorrect operation, liability and warranty claims are excluded.

## Important Information

- In case of repairs, only parts that comply with the original device specifications may be used. This Ruvio vacuum cleaner contains electrical and mechanical parts that are essential in protecting against potential hazards.
- Do not immerse the Ruvio vacuum cleaner or the power supply in water or other liquids.
- Never touch the mains plug with wet hands.
- Never pull the power supply from the socket by the power cable, but rather always grip the plug itself.
- Never use the power cable as a carry handle.
- Keep the Ruvio vacuum cleaner and the power supply away from open fire and hot surfaces.
- While charging the Ruvio vacuum cleaner, keep its charging cable out of the way to avoid a tripping hazard.
- Do not kink the power cable and do not run it over sharp edges.
- Only store and use the Ruvio vacuum cleaner indoors. Never store or operate it in wet environments like bathrooms or near water.
- Do not attempt to suck up liquids with the Ruvio vacuum cleaner.
- Ensure that children cannot insert objects into the Ruvio vacuum cleaner.
- Do not leave the Ruvio vacuum cleaner unattended during use.
- Should a fault occur during use, switch off the Ruvio vacuum cleaner immediately.
- Do not use the Ruvio vacuum cleaner with wet hands, if you are standing on a wet floor or if the Ruvio vacuum cleaner itself is wet.



### WARNING!

**DANGER FOR CHILDREN AND PEOPLE WITH LIMITED PHYSICAL, SENSORY OR MENTAL CAPACITIES (FOR EXAMPLE PARTIALLY DISABLED PEOPLE, OLDER PEOPLE WITH LIMITED PHYSICAL AND MENTAL CAPACITIES) OR THOSE LACKING IN EXPERIENCE AND KNOWLEDGE (EX. OLDER CHILDREN).**

- Keep children younger than eight years old away from the Ruvio vacuum cleaner and the power supply.
- Due to risk of suffocation, do not allow children to play with the packaging film.

## Important Information



### WARNING!

#### RISK OF EXPLOSION AND CHEMICAL BURNS!

There is a risk of explosion if batteries and accumulators are not handled correctly. In case of contact with leaking battery acid, chemical burns may occur.

- Do not heat the battery and never throw it into an open fire.
- Avoid battery acid from coming into contact with the skin, eyes and mucous membranes. In case of contact with battery acid, rinse the affected areas immediately with plenty of clean water and if necessary consult a doctor.



### CAUTION!

#### RISK OF INJURY!

In the event of the improper handling of the Ruvio vacuum cleaner, you may injure yourself or others.

- Do not point the Ruvio vacuum cleaner at people or animals.
- Keep hair or loose items of clothing away from the openings of the Ruvio vacuum cleaner. The Ruvio vacuum cleaner sucks in air during operation and may injure you if your hair or loose clothing were sucked in.
- Do not use the Ruvio vacuum cleaner on surfaces that are covered with cement or other fine substances, or substances that are toxic when inhaled.



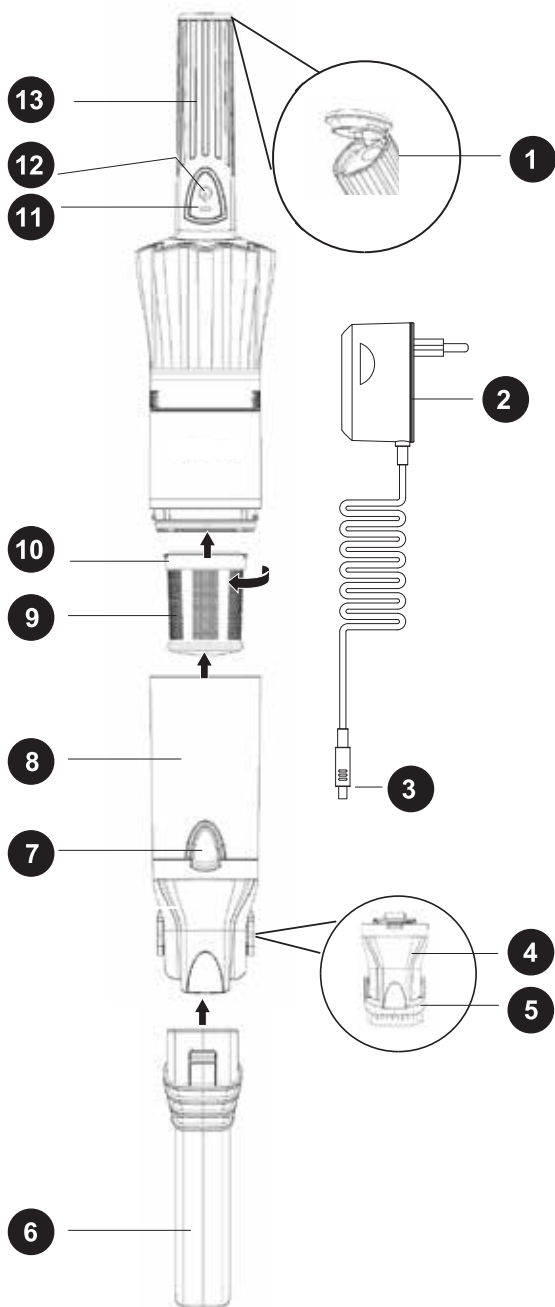
### NOTE!

#### RISK OF DAMAGE!

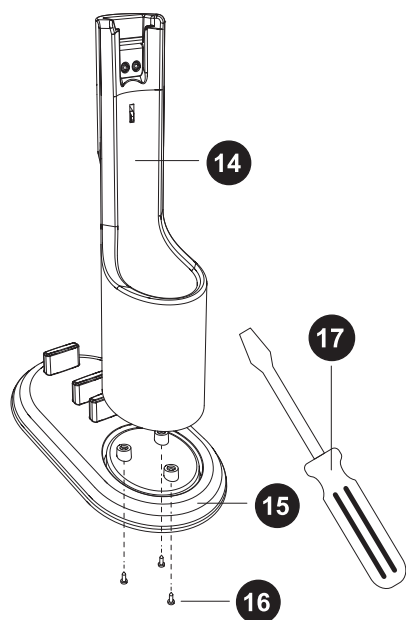
The improper handling of the Ruvio vacuum cleaner may result in damage to the Ruvio vacuum cleaner itself.

- Do not cover the air vents on the Ruvio vacuum cleaner during operation.
- Keep the Ruvio vacuum cleaner and the power supply away from hot surfaces.
- Never expose the Ruvio vacuum cleaner to high temperature (heating units etc.) or weather (rain etc.).
- Never pour liquid into the casing of the Ruvio vacuum cleaner.
- Cease use of the Ruvio vacuum cleaner if the plastic components have cracks, splitting or have deformed. Only replace damaged parts with suitable original replacement parts.

## Product Components



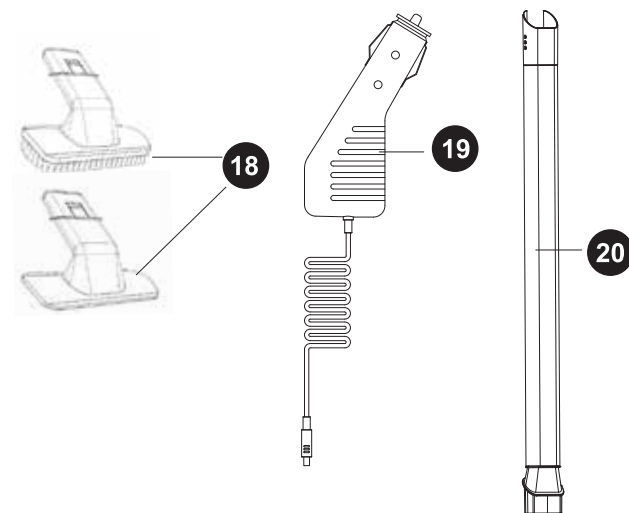
1. Charging socket
2. Power supply
3. Power connector
4. Suction opening
5. Brush attachment
6. Nozzle
7. Release button
8. Dust container
9. Metal filter
10. Hepa filter (2x)
11. Charging indicator
12. ON/OFF switch
13. Handle
14. Charging base
15. Charging foot
16. Screws (3)
17. Screwdriver



## Product Components

### Optional accessories (sold separately in a kit)

18. Small bristle brush and small brushless attachment
19. Vehicle adapter
20. Flexible nozzle



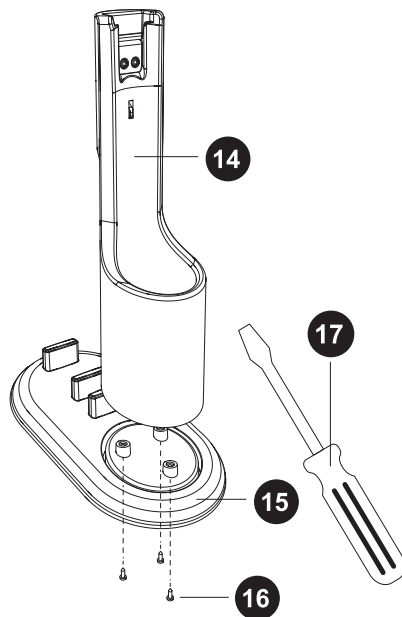
**PRIOR TO FIRST USE****! NOTE!****RISK OF DAMAGE!**

To avoid the vacuum cleaner being damaged, be careful when opening packaging with a sharp knife or other sharp object.

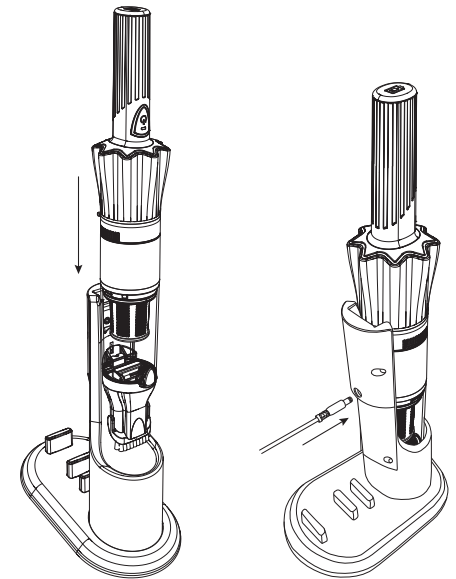
1. Remove the Ruvio vacuum cleaner from the packaging.
2. Check to make sure all parts are there and not damaged.  
If any parts are damaged, do not use the Ruvio vacuum cleaner.

**SETTING UP THE CHARGING STATION**

1. Insert the charging base **14** into the charging foot **15**. See Diagram on right.
2. Turn the connected parts over and screw the charging foot tight using the three screws **16** and a screwdriver **17**.
3. Position the charging station close to a properly installed power socket.
4. Insert the mains connector **3** into the hole on the back of the charging base intended for this purpose.
5. Plug the power supply **2** into a properly installed power socket.

**CHARGING THE RUVIO VACUUM CLEANER**

1. Ensure that the Ruvio vacuum cleaner is switched off.
2. Plug the Ruvio vacuum cleaner into the charging base **14** as such that the charging contact is established or plug the mains plug **3** into the charging socket **1** on the handle **13** of the Ruvio vacuum cleaner.
3. The charging indicator **11** will slowly flash blue during charging.
4. Once the battery is fully charged, the charging indicator stops flashing.

**VEHICLE ADAPTER (Sold separately in a kit)**

When you are traveling, you can also charge your Ruvio vacuum cleaner using the vehicle adapter **19** (sold separately). To do this, plug the vehicle adapter into the charging socket on the handle of the Ruvio vacuum cleaner and connect to a suitable 12V supply in your car.

**USING THE RUVIO VACUUM CLEANER****! WARNING!****FIRE HAZARD!**

If you suck up glowing embers, burning cigarettes etc. with the Ruvio vacuum cleaner, the filters can catch fire.

- Do not suck up glowing or smoldering materials or objects.

**! NOTE!****RISK OF DAMAGE!**

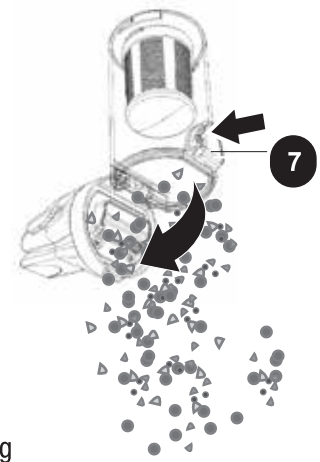
- Improper handling of the Ruvio vacuum cleaner can cause damage to the vacuum cleaner itself.
- Do not suck up sharp objects.
- Do not suck up fine particles (ex. cement, stones, plaster or wood).

- Ensure that the filters are correctly inserted and are not damaged before switching on the Ruvio vacuum cleaner.
- Do not cover over the air vents during operation.
- Switch the Ruvio vacuum cleaner off immediately if you have accidentally sucked up liquids.

1. Insert the nozzle **6** into the suction opening **4** or fold down the brush attachment **5**, if you want to suck up dirt from the carpet. Use the small brush attachments **18** (sold separately) for smaller surfaces. For hard to reach places, use the flexible nozzle **20** (sold separately).  
You can also use the Ruvio vacuum cleaner without the flexible nozzle or brush attachment.
2. Switch the Ruvio vacuum cleaner on by pressing the ON/OFF switch **12**.  
The Ruvio vacuum cleaner commences suction and the charging indicator **11** lights up solid blue. *NOTE: When the Ruvio vacuum cleaner runs out of power, it will turn off. When the ON/OFF switch is pressed again, the charging indicator will rapidly flash blue, indicating the unit needs to be recharged (see “Charging the Ruvio Vacuum Cleaner”).*
3. Suck up domestic dirt, crumbs, lint etc.
4. Switch the Ruvio vacuum cleaner off by pressing the ON/OFF switch again.  
The Ruvio vacuum cleaner stops suction and the charging indicator switches off.
5. Empty the dust container **8** after every use to avoid blockages and to guarantee the functional capacity of the Ruvio vacuum cleaner (see “Emptying the dust container” below).

## EMPTYING THE DUST CONTAINER

1. Switch the Ruvio vacuum cleaner off.
2. Hold the Ruvio vacuum cleaner over a waste bin with the suction opening **4** directed downwards.
3. Press the release button **7**. See Diagram on right.
4. Fold the suction opening down and empty the dust container **8**.
5. Turn the dust container clockwise and remove any residual dirt from the dust container and the metal filter **9**.
6. Re-attach the dust container to the Ruvio vacuum cleaner and tighten by turning counterclockwise.
7. Snap the suction opening shut again. The suction opening is correctly closed when you hear a click.



## REMOVING THE METAL FILTER AND HEPA FILTER

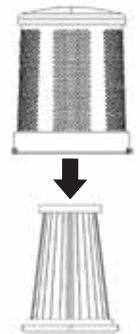
### ! NOTE!

#### RISK OF DAMAGE!

**Improper handling of the Ruvio vacuum cleaner can result in damage to the vacuum cleaner itself.**

- Clean the Hepa filter regularly, especially after sucking up fine dirt, such as flour or coffee.

1. Switch the Ruvio vacuum cleaner off.
2. Remove the dust container **8** (see “Emptying the dust container”).
3. Remove the metal filter **9** by turning it clockwise.
4. Remove the Hepa filter **10** by pushing it from the metal filter with your finger.
5. Clean the filters (see “Cleaning”).
6. Insert the Hepa filter back into the metal filter.
7. Place the metal filter back onto the Ruvio vacuum cleaner and tighten by turning counterclockwise.
8. Attach the dust container back onto the Ruvio vacuum cleaner.



It is recommended to change the Hepa filter every 6 months, or as needed depending on use.



**CLEANING**

**! NOTE!**

**RISK OF DAMAGE!**

Improper handling of the Ruvio vacuum cleaner can result in damage to the vacuum cleaner itself.

- Never immerse the Ruvio vacuum cleaner in water to clean and do not clean with a steam cleaner.
- Ensure that no liquids get inside the cleaning unit.
- Ensure that all parts, especially the filters, are completely dry before reassembling the Ruvio vacuum cleaner after cleaning.
- Do not use aggressive cleaning agents, brushes with metal or nylon bristles or sharp or metallic cleaning tools such as knives, hard spatulas and the like. These may damage the surface.

1. Switch the Ruvio vacuum cleaner off.
2. Hold the Ruvio vacuum cleaner over a waste bin with the suction opening **4** directed downwards.
3. Remove the dust container **8** by turning it clockwise.
4. Empty the dust container.
5. Wipe the dust container with a damp cloth.
6. Remove the metal filter **9** from the Ruvio vacuum cleaner by turning it clockwise.
7. Remove the Hepa filter **10**.
8. Wipe the metal filter with a damp cloth or clean it under running water if necessary.
9. Clean the Hepa filter with a soft brush or tap it to knock out any dirt.
10. Wipe the outside of the Ruvio vacuum cleaner with a dry cloth.
11. Allow all parts to dry completely before you reassemble the Ruvio vacuum cleaner after cleaning.
12. Insert the Hepa filter back into the metal filter.
13. Place the metal filter back onto the Ruvio vacuum cleaner and tighten by turning counterclockwise.
14. Re-attach the dust container to the Ruvio vacuum cleaner and tighten by turning counterclockwise.



Clean all parts of the Ruvio vacuum cleaner regularly to avoid blockages and to guarantee the functional capacity of the Ruvio vacuum cleaner.

**TROUBLESHOOTING**

Problem	Possible cause	Solution
The Ruvio vacuum cleaner is not showing any sign of function.	The battery is discharged.	Charge the battery of the Ruvio vacuum cleaner (see “Charging the Ruvio vacuum cleaner”).
The charging indicator <b>11</b> is not lighting up.	The power supply <b>2</b> is not correctly connected to the plug socket or to the Ruvio vacuum cleaner.	Ensure that the power supply is correctly inserted into the plug socket <b>3</b> and that the power connector is correctly inserted into the charging socket <b>1</b> or charging base <b>14</b> .
The suction performance is poor.	The metal filter <b>9</b> or Hepa filter <b>10</b> is blocked.	Clean the filters (see “Cleaning”).
	The battery is discharged.	Charge the battery of the Ruvio vacuum cleaner (see “Charging the Ruvio vacuum cleaner”).
	The dust container <b>8</b> is full.	Empty the dust container (see “Emptying the dust container”).
Dust is coming out of the air vents.	The metal filter or Hepa filter is damaged.	Contact your local retailer to order a replacement filter.
	The dust container is full.	Empty the dust container (see “Emptying the dust container”).
	The metal filter or Hepa filter is not correctly inserted.	Re-attach the filters correctly to the Ruvio vacuum cleaner after cleaning (see “Cleaning”).

**DISPOSAL****Old devices must not be disposed of in the household waste!**

If the Ruvio vacuum cleaner can no longer be used, then every consumer is obligated to dispose of old devices separately from the household waste, ex. at a collection point within your municipality/district. This ensures that old devices are properly recycled and negative effects on the environment are avoided. For this reason, electrical devices are marked with the symbol shown here.

**Batteries and accumulators must not be disposed of in the household waste!**

As consumers you are legally obliged to drop off all batteries and accumulators, regardless of whether or not they contain harmful substances\*, within your municipality/district or one made available within a store/business, in order that they can be disposed of in an environmentally-friendly manner. Drop of the complete Ruvio vacuum cleaner at your collection point (with the battery) and only in discharged condition!

\*labeled: Cd = Cadmium, Hg = Mercury, Pb = Lead

By disposing of your device properly you are also contributing to the protection of the environment and the health of your fellow citizens. Material recycling helps to reduce the consumption of raw materials. Further information regarding the disposal and recycling of this device can be obtained from municipal waste management companies, the store in which you purchased the product or from the manufacturer.

**SPECIFICATIONS****Main unit**

Model: VC-002 BLDC

Item No. 8558EN

Power: 90 Watts

Dimensions: 43.5 x 7.3 x 7.3 cm

Voltage: 11.1 V  $\text{---}$

Charge time: approx. 2.5 hrs

Run time: up to 20 minutes (on full charge)

**Power supply**Charging Station

Model: GQ12-140080-AU

Input voltage / AC frequency: 100 – 240 V  $\sim$  / 50/60 Hz

Output voltage / current / power: 14.0 V  $\text{---}$  / 0.8 A / 11.2 W

Car Charger (sold separately)

Model: BZ12L-140080

Input voltage / DC frequency: 12.0 V

Output voltage / current / power: 14.0 V  $\text{---}$  / 0.8 A / 11.2 W

Average active efficiency: 83.93 %

Efficiency at low load (10%): 76.55 %

No-load power consumption: 0.089 W

**CUSTOMER SERVICE**

If you have any questions about the device or spare parts/accessories, please contact our customer service at 1-800-423-4248.