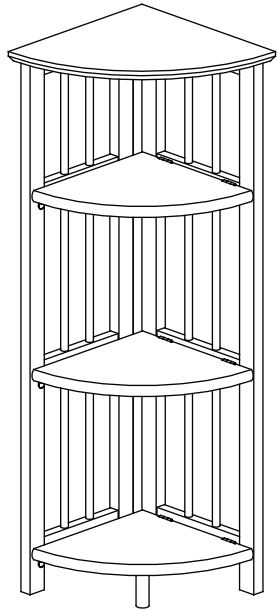


Assembly Instruction Sheet

Item No. 315-1X

Folding 4-Tier Corner Shelf

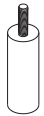


LIST OF PARTS



Snap on Mantel Top
1 PC

LIST OF HARDWARE



Front Support
MS0952V
1 PC

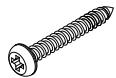


Screw F6 x 1 1/4"
RF10002
1 PC

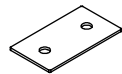
Anti-Tipping



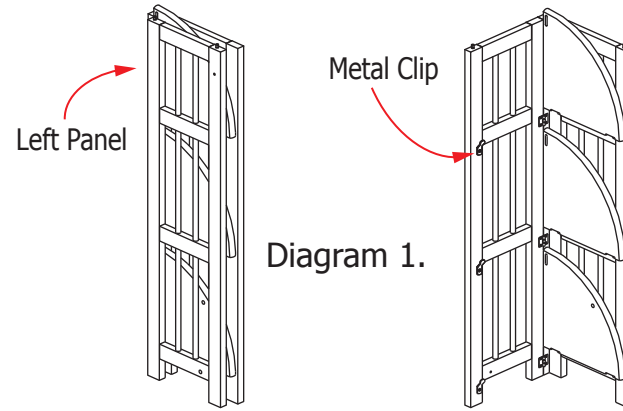
Screw P6 x 5/8"
RF10080
2 pcs.



Screw P6 x 1 1/4"
RF10103
2 pcs.

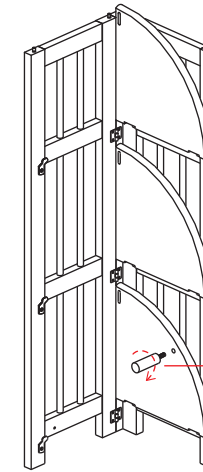


Metal Plate
RF40214
2 pcs.



1. Open the left panel and right side panel of corner shelf as shown in Diagram 1.

"It is dangerous to stack two units one on top of the other. The small base isn't stable enough for such combination."



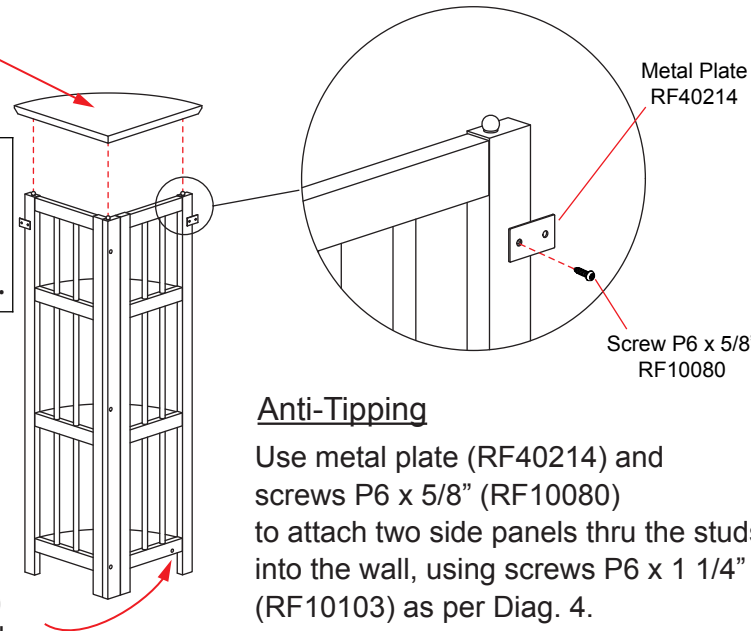
2. Put the front support (MS0952V) into the hole under the Bottom shelf as per Diagram 2.

(A) Snap on Mantel Top

Alignment the hole's mantel top to meet the pins before press down to "click" locked.

Diagram 3.

Use screw (RF10002) through predrilled hole



Anti-Tipping

Use metal plate (RF40214) and screws P6 x 5/8" (RF10080) to attach two side panels thru the studs into the wall, using screws P6 x 1 1/4" (RF10103) as per Diag. 4.

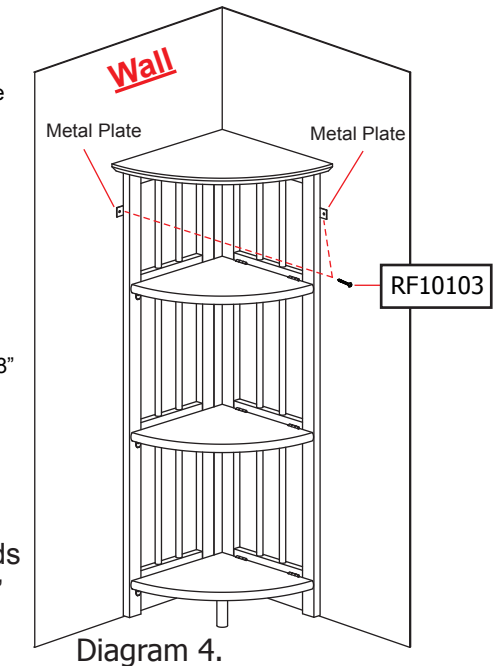


Diagram 4.