



Dual Discharge Position Rooftop Evaporative Coolers

4800 CFM
6800 CFM

Use & Care Guide

Models: DX4800 DX6800

INDEX

Safety Rules/Getting Started....	1
Installation.....	2
Operation/Controls/Specs.....	3
Dimensions/Maintenance.....	4
Troubleshooting.....	5
Parts Illustration.....	6
Warranty.....	7



General Safety Precautions



WARNING: Read and follow all instructions, cautions and warnings. Failure to do so could result in personal injury, death or property damage and could void the warranty. Save these instructions.

Always disconnect power and switch to “OFF” position when installing, servicing or cleaning.

Use only with a 115v, 60Hz, Single Phase grounded electrical supply.

Installation, wiring and servicing of unit must be done by qualified person or persons, and in accordance with all applicable codes and standards.

Use caution to avoid cutting into existing electrical or hidden utilities during installation.

Do not operate with media panels removed.

Do not operate with damaged wires, components or other visible damage.

Do not operate cooler if it is uneven(not level).

Ensure evaporative cooler is vented to the outside.

CAUTION: Motor is equipped with a thermal overload protector. If protector shuts the motor off, motor will restart without warning once it cools down.

WARNING: To reduce the risk of fire or electrical shock, do not use with solid state speed controls.

Getting Started

Unpacking: Carefully unpack and inspect the entire unit prior to installing. Ensure there is no visible damage and all contents are included.

Contents: Evaporative Cooler Unit(1), Manual(1)

Choosing Best Location: Ensure the unit location meets the following

- Unit is a reasonable distance from sources of heat, smoke or fumes—and in accordance with any codes or regulations. It is important that the air being drawn into your living space is clean and fresh.
- Unit is positioned for optimal access for servicing requirements.
- Roof structure will adequately support the weight of the cooler.

Note: This cooler is designed to be mounted in either a side discharge position or down discharge position. It is shipped from the factory in the down discharge position. If side discharge is desired, it will be necessary to remove the motor/prop/brackets from the down position and re-install in the non-media side.

See Fig. 1 on page 2 of this manual.

This step should be performed with the cooler still on the ground level.

Installation

! **DO NOT connect power until installation is complete.**

Down Discharge Installation:

DX4800: Designed for use with a 18"X18" adjustable pitch roof jack (Hessaire PN: 12735) and leg kit (Hessaire PN: 12728). Roof jack and leg kit sold separately.

DX6800: Designed for use with a 20"X20" adjustable pitch roof jack (Hessaire PN: 12736) and leg kit (Hessaire PN: 12728). Roof jack and leg kit sold separately.

Cut square opening according to roof jack size: 18"X18" or 20"X20"

Ensure unit is securely mounted to roof and level. Roof jack tilt angle can be adjusted as needed and leg height can be adjusted as needed. Ensure fasteners are secured and tightened once cooler is level and in final position. See Fig. 2.

Side Discharge Installation:

DX4800: Use leg kit (Hessaire PN: 12728). Sold separately.

DX6800: Use leg kit (Hessaire PN: 12728). Sold separately.

Side ducting must accommodate side discharge opening. See Fig. 3 dimensions.

Ensure unit is securely mounted to roof and level. See Fig. 2. Ensure fasteners are secured and tight once cooler is level and in final position.

Water Connection: 60psi Max Water Pressure

Connect water line to float fitting. Float fitting size: Standard 1/4"

Electrical: (Wiring Diagram—Fig. 4, page 4)

Power must be disconnected before performing any electrical work.

For use with Hessaire Thermostat (PN: HTH01). Sold separately. Fig. 5, page 4.

Discharge Position Change Steps:

Unit is shipped in down discharge position. See following steps if side discharge is desired.

Disconnect motor wires and harnesses.

For side discharge, remove screws holding all 4 motor mount brackets.

Remove venturi and motor/prop.

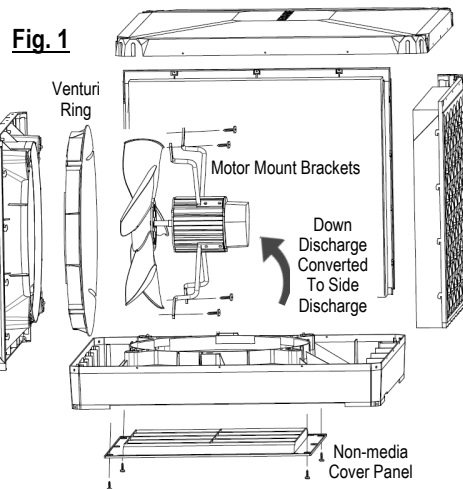
Fasten motor & venturi to new position.

Remove screws holding non-media cover panel.

Re-attach cover panel to bottom of cooler.

Secure fasteners.

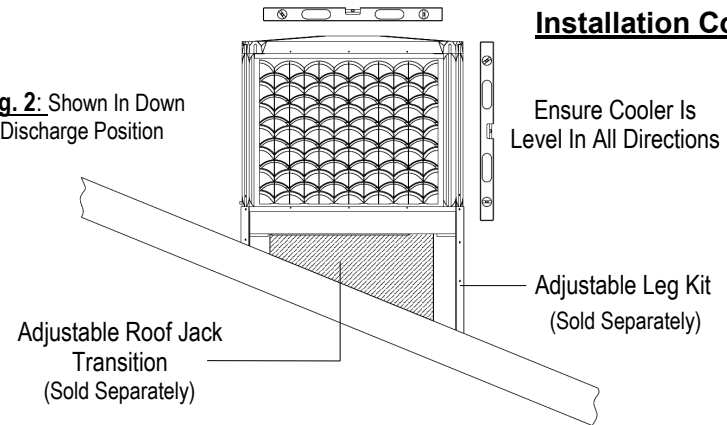
Reconnect motor wires. Harness motor wires out of reach of propeller.



EN2



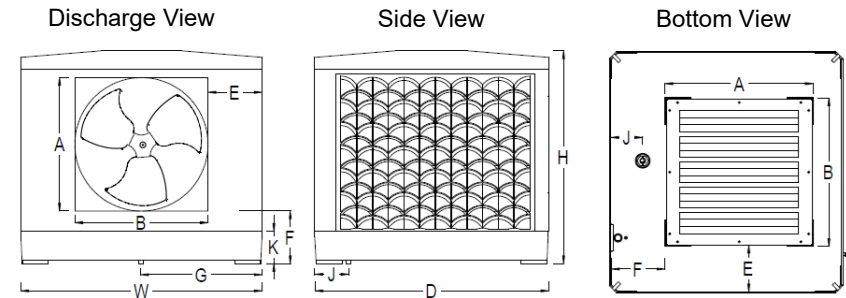
Fig. 2: Shown In Down Discharge Position



Dimensions (shown on side discharge position)

Model	H	W	D	A	B	E	F	G	J	K
DX4800	25 5/8"	32"	31"	16 1/2"	16 1/2"	7 3/4"	5 7/8"	16"	4 1/8"	4"
DX6800	32"	36"	35"	20"	20"	8"	7 1/2"	18"	4 3/4"	4 7/8"

Fig. 3



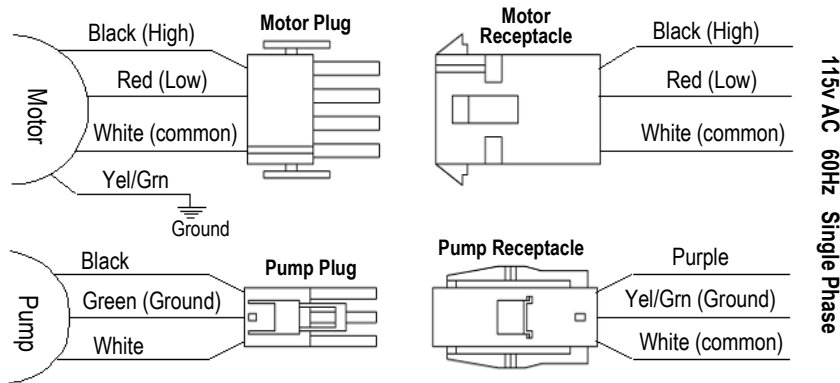
Specifications

Model	Air Delivery VS Static Pressure							
	Nom. CFM	Water Inch Column (High CFM)					Ship Weight	Operating Weight
		0.0 SP	0.1 SP	0.2 SP	0.3 SP	0.4 SP		
DX4800	4800	3770	3620	3390	3080	2870	2610	
DX6800	6800	5030	4810	4590	4360	4080	3900	

Model	HP	Motor Elec.	Max. Water Press.	Media Dims. (3 pcs per) L x W x H ea.	Ship Weight	Operating Weight
		115V / 60HZ High / Low				
DX4800	1/2	5.2A / 3.3A	60 psi	19" x 25" x 3"	67 lbs	135 lbs
DX6800	3/4	7.0A / 4.8A	60 psi	24" x 28" 1/2 x 3"	84 lbs	170 lbs

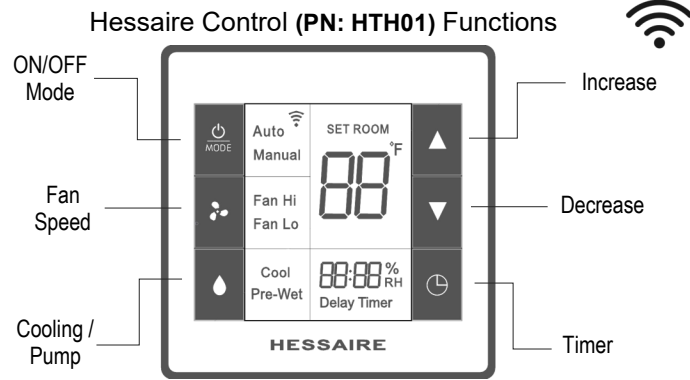
EN3

Fig. 4



Optional Control (sold separately)

Fig. 5



Note: It is critical for optimum operation that adequate exhaust openings are available. This is typically accomplished by opening doors or windows. Adjust openings as needed to keep air from becoming "heavy".

Maintenance

⚠ WARNING Disconnect from power source before attempting any maintenance or routine service. **NEVER** remove any access panels while unit is in operation or plugged in. Failure to do so could lead to **SERIOUS INJURY**.

Cleaning And Storage:

Drain water from unit and water lines. Recommended to clean out all water lines/hoses and wipe tank dry.

Ensure pads are dry by running fan for at least 30 minutes without the pump.

Recommended to cover unit with winterizing cover when not in use for extended periods of time.



(Maintenance Continued)

Beginning Of Season Start Up:

Check pads to make sure they are in good condition. Clean or replace if needed.

Make sure clamps, wires, hoses are connected securely and nothing is near or obstructing the operation of the fan blade.

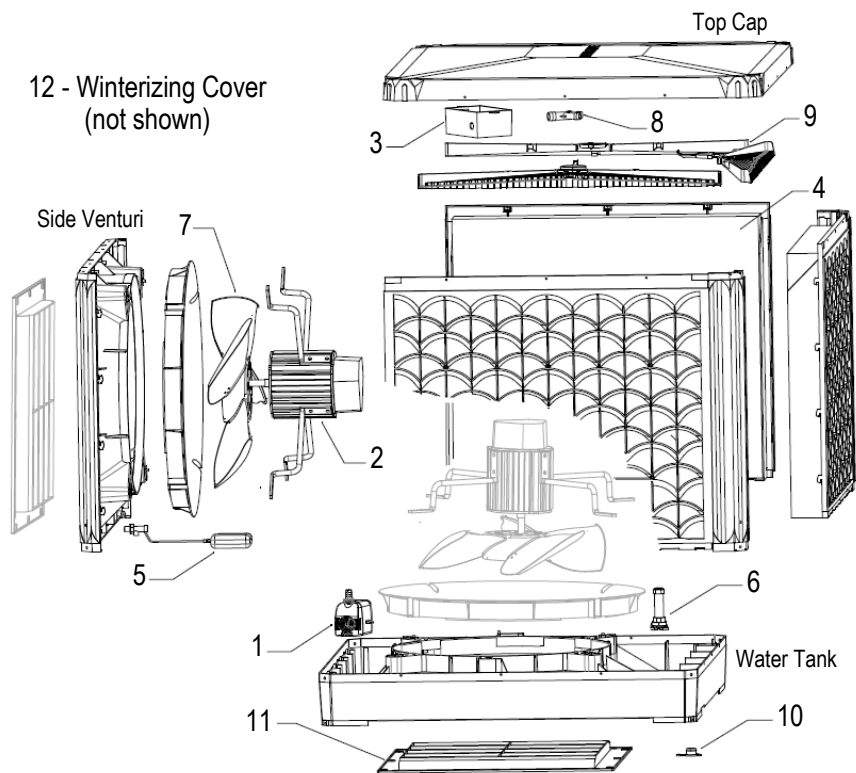
Check all hose and water connections to make sure they are securely tightened.

Check fan and pump to ensure both are functioning properly.

Troubleshooting

Problem	Possible Cause	Remedy
Will Not Turn On, No Power To Unit	Circuit breaker may be	Reset circuit breaker
	Electrical failure in unit	Contact installer to troubleshoot
	Local power failure	Contact local power company
	Controller wired incorrectly	Check wire diagrams
Fan Will Not Operate	Controller turned off	Turn on controller
	Fan blade obstructed	Clear obstructions
	Loose wire connections	Contact installer to troubleshoot
Insufficient Cooling	Slow running	Replace motor capacitor
	Dirty media pads	Clean media pads
Media Pads Not Wetting, Pump Not Functioning	Controller not set to cool	Adjust controller to cool
	Pump function not turned on	Turn on pump function
	Pump failure	Replace pump
	Hoses / water distributor	Clear obstructions
Inside Air Too "Heavy"	Hose disconnected	Connect hose(s)
	Loose pump wire connections	Contact installer to troubleshoot
Water Leaking	Inadequate exhaust air	Open windows / doors
	Not enough air flow	Increase fan speed
	Cooler unlevel	Level cooler
	Crack in reservoir	Repair/replace reservoir
	Loose hose / water distributor	Connect hose(s)
Water Drops In Airflow	Water spreaders out of place	Reposition spreader(s)
	Float valve leaking	Tighten/replace float valve
Water Drops In Airflow	Loose hose connection	Connect hose(s)
	Crack in hose / water	Replace hose / water distributor

Parts Illustration



#	Parts Description	DX4800	DX6800
1	Pump	6060050	6091050
2	Motor	B300-4V2	B550-4V2
3	Control Box	6001017	6001017
4	Media Pad Set (3 piece set)	CP4800	CP6800
5	Float Valve	85023	85023
6	Overflow Tube	14216	14216
7	Prop (fan blade)	9001731	9001730
8	Water Distributor	6000707	6000710
9	Water Diverter	6000708	6000708
10	Silicone Drain Plug	6017081	6017081
11	Panel Cover	DP4800	DP6800
12	Winterizing Cover (not shown)	CVR4800	CVR6800

Hessaire Warranty

Lifetime warranty on evaporative cooler cabinet

Two year warranty on motor

One year warranty on pump

Warranty does not apply to media pads

All other components are covered for one year from date of purchase.

If a component is found to be defective within the periods described above, the defective part will be provided free of charge. Replacement parts are available through authorized dealers or online. Copy of proof of purchase and serial label number will be needed for all warranty claims.

Items Not Covered / Conditions:

Hessaire will not be responsible or liable for damage to contents, flooring, carpet, walls, ceilings, structure/foundations or any other consequential loss or damage—either direct or indirect resulting from installation, operation, neglect or misuse of the evaporative cooler.

Not covered is damage due to outside elements/factors such as rain, wind, lightning, storms, floods, power surges, brownouts, etc—which are not considered to be defects in materials or workmanship and in turn are not covered under the Hessaire warranty.

Hessaire does not cover labor costs associated with troubleshooting or cooler repairs—regardless if the product is under warranty or not.

Returns: Please **Do Not** return your cooler to Hessaire.

Return transportation costs are the responsibility of the purchaser.

Return authorization must be obtained from the seller/distributor where the unit was purchased from.

All returns should be sent directly to the distributor/store where purchased.

Damaged Shipments:

Hessaire is not responsible for damaged shipments or shortages resulting from carrier mishandling. Notify your carrier immediately to file a freight claim in the event of damage. Keep damaged product for inspection until advised by the carrier as to disposal.

Assistance:

Instructional videos and other helpful parts replacement information is available on hessaire.com.

Visit hessaire.com for processing warranty claims:

(Hessaire.com / Warranty / Replacement Parts Request: fill in form, submit)