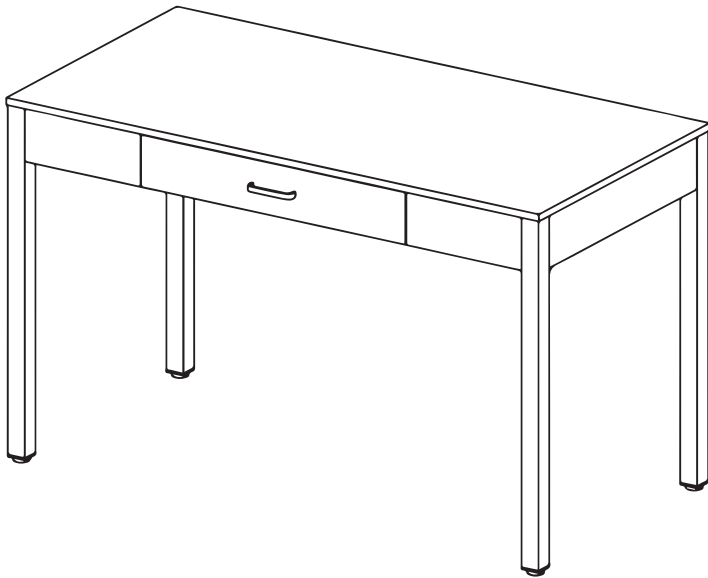




VEIKOUS



INSTRUCTION MANUAL

BARTABLESET



VEIKOUS

THANK YOU FOR CHOOSING VEIKOUS!

YOU WILL NEVER KNOW

HOW EASILY YOU COULD ENLIGHTEN YOUR LIFE

WITH SUPERIORITY AND PLEASURE

NOW YOU KNOW IT

- FOR MORE COST-EFFECTIVE PRODUCTS.

VISIT WWW.VEIKOUS.COM.

- IF YOU HAVE ANY PROBLEM.

E-MAIL US AT CUSTOMERSERVICE@VEIKOUS.COM

TOOLS REQUIRED



PHILLIPS
SCREWDRIVER



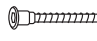








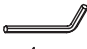




2 PERSON
ASSEMBLY

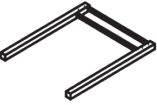

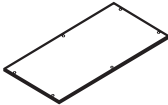



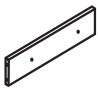
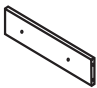
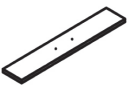






APPROXIMATELY
20 MIN.
ASSEMBLY

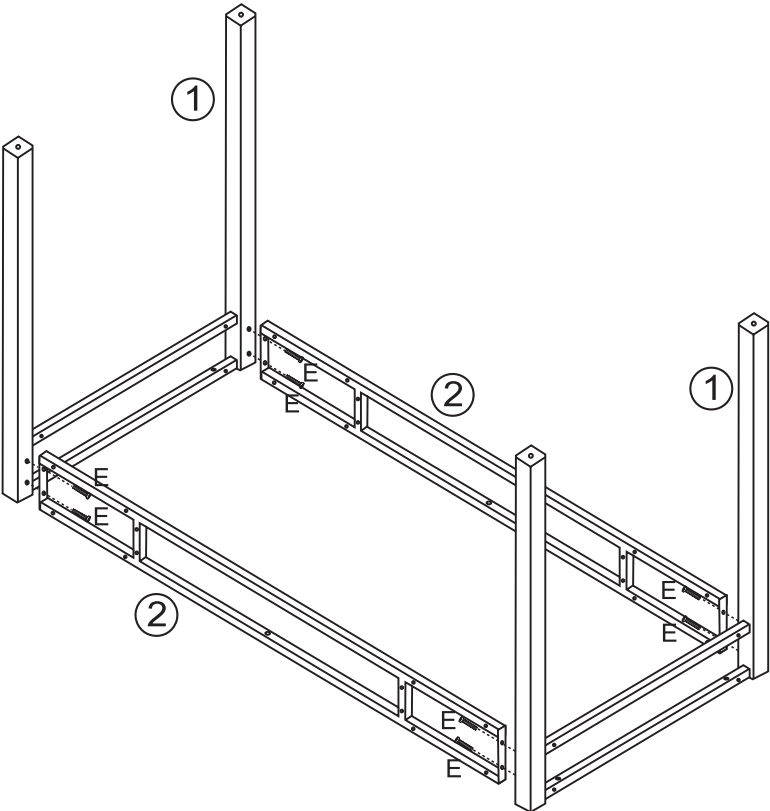
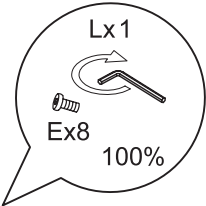
HARDWARE

<p>A</p>  <p>4PCS</p>	<p>B</p>  <p>4PCS</p>	<p>C</p>  <p>M7x50mm 8PCS</p>	<p>D</p>  <p>M6x25mm 6PCS</p>	<p>E</p>  <p>M6x12mm 8PCS</p>	<p>F</p>  <p>M4x35mm 4PCS</p>	<p>G</p>  <p>M3.5x14mm 8PCS</p>
<p>H</p>  <p>M4x25mm 24PCS</p>	<p>I</p>  <p>L=400mm 2PCS</p>	<p>J</p>  <p>1PC</p>	<p>K</p>  <p>M4x18mm 2PCS</p>	<p>L</p>  <p>4mm 1PC</p>	<p>M</p>  <p>4PCS</p>	<p>N</p>  <p>1PC</p>

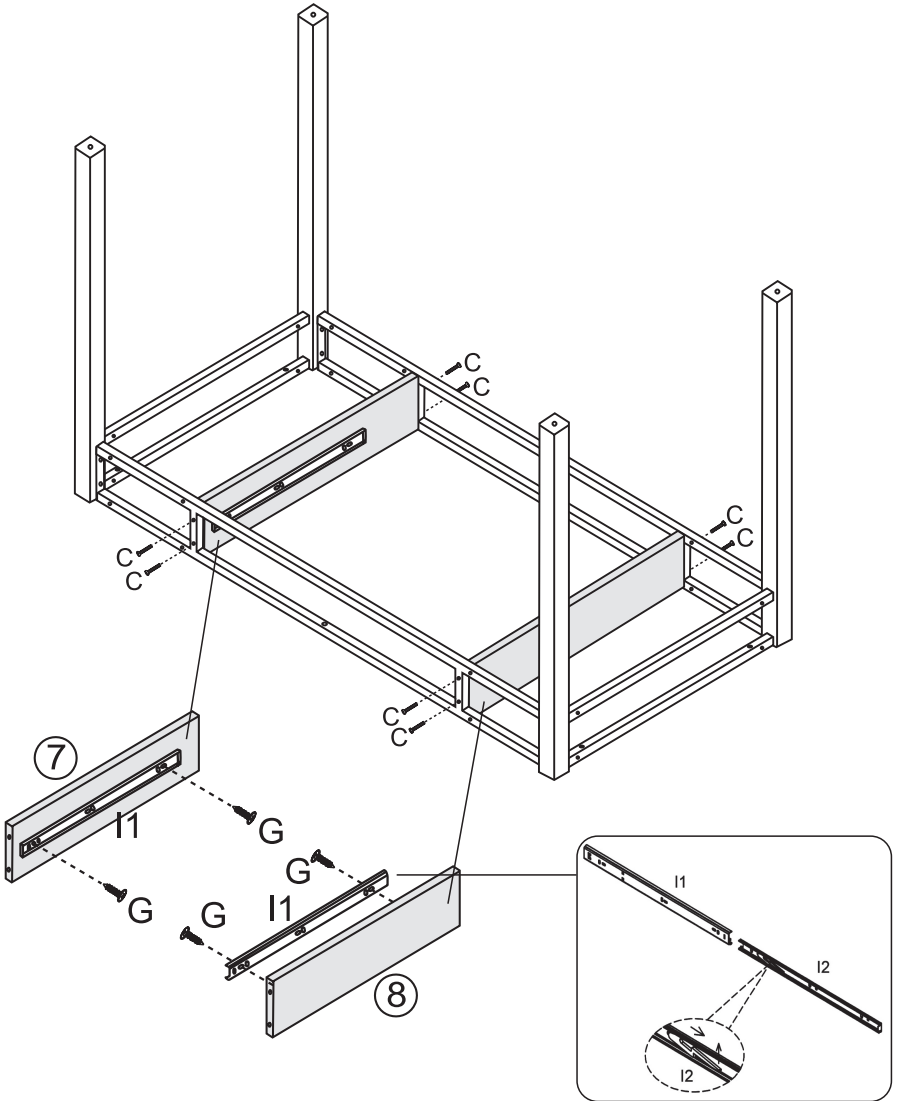
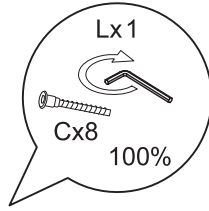
PARTS

<p>1</p>  <p>2PCS</p>	<p>2</p>  <p>2PCS</p>	<p>3</p>  <p>1PC</p>	<p>4</p>  <p>1PC</p>	<p>5</p>  <p>2PCS</p>
<p>6</p>  <p>2PCS</p>	<p>7</p>  <p>1PC</p>	<p>8</p>  <p>1PC</p>	<p>9</p>  <p>1PC</p>	<p>10</p>  <p>1PC</p>
<p>11</p>  <p>1PC</p>	<p>12</p>  <p>1PC</p>	<p>13</p>  <p>1PC</p>		

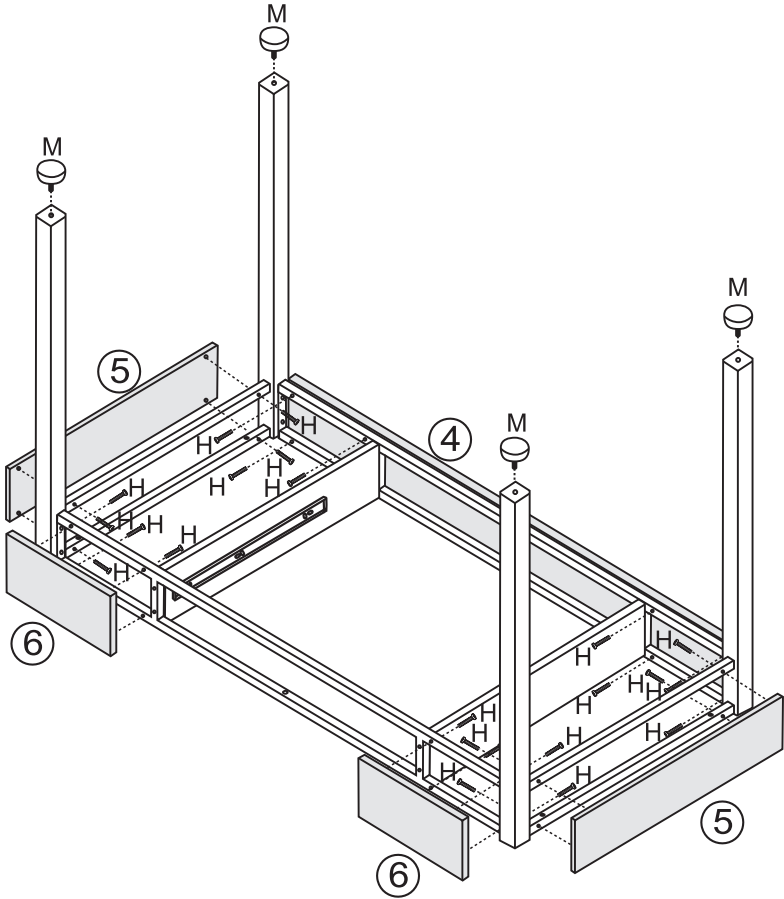
1



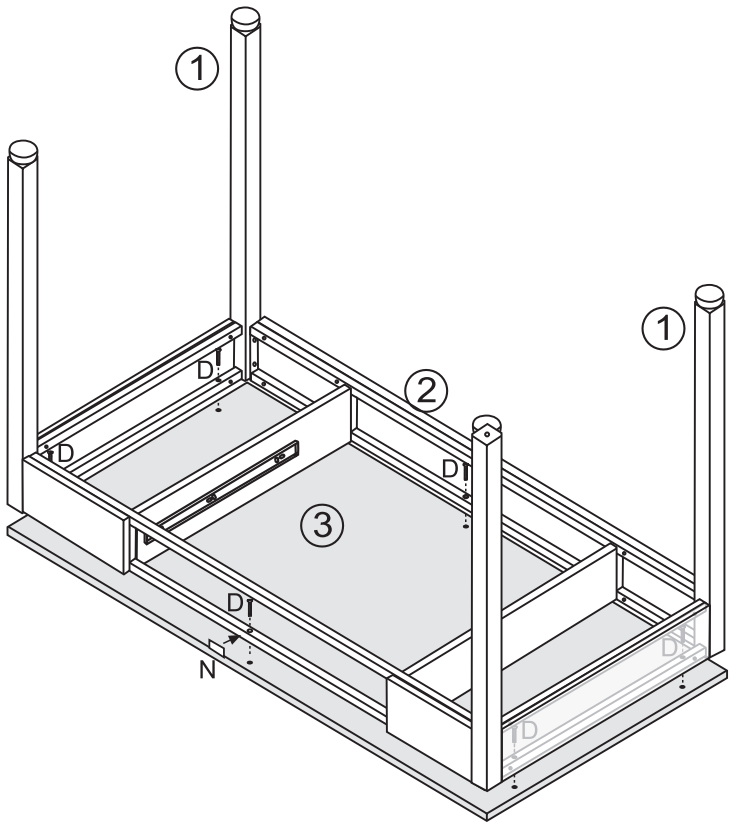
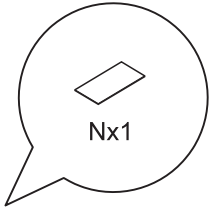
2



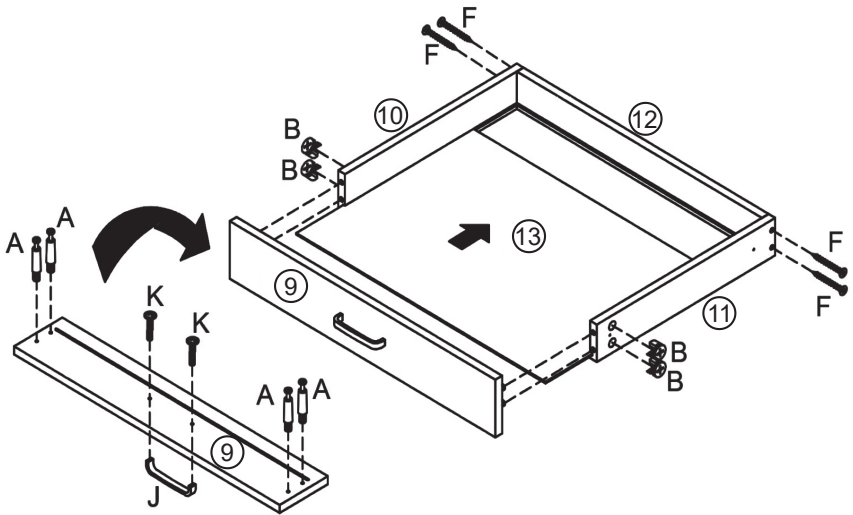
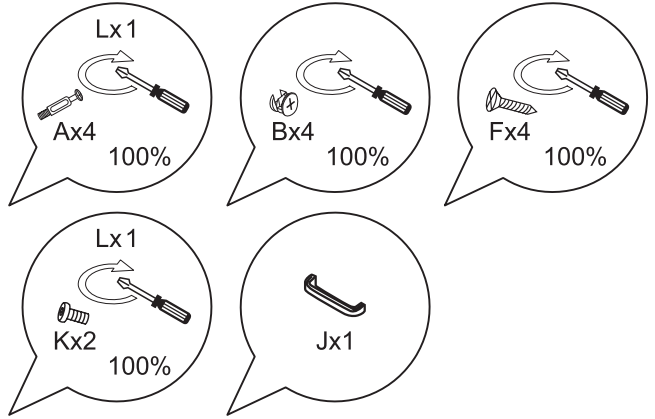
3



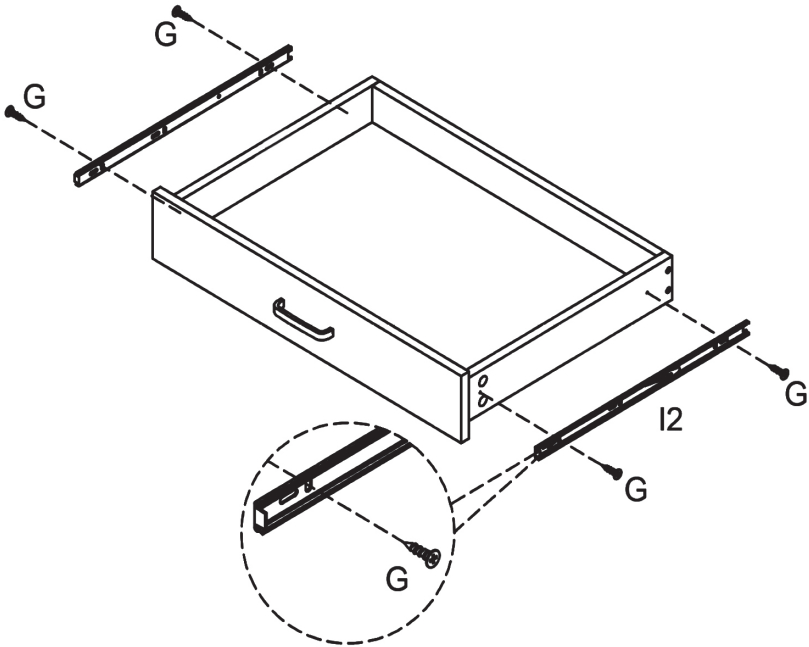
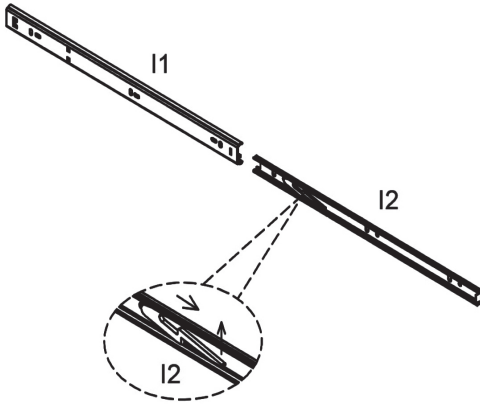
4



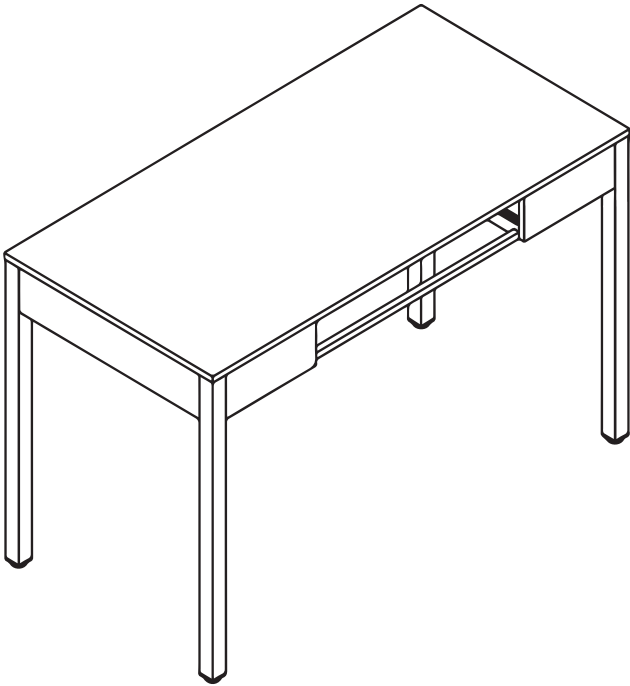
5

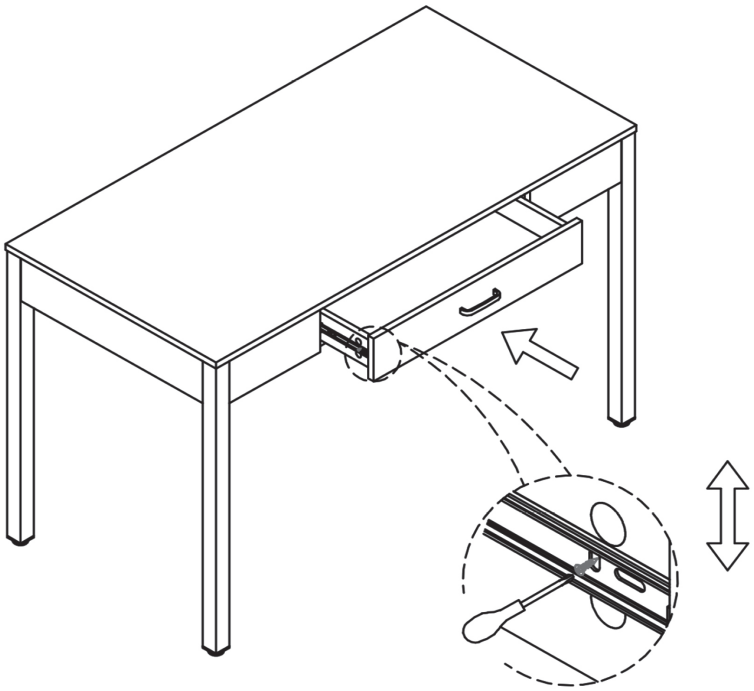


6

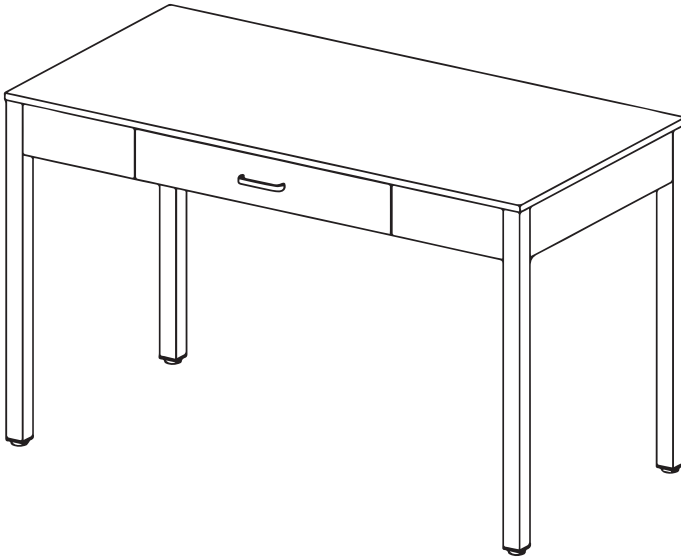


7





ENJOY YOUR PRODUCT!



WARNING

Manufacturer and seller expressly disclaim any and all liability for personal injury, property damage or loss, whether direct, indirect, or incidental, resulting from the incorrect attachment, improper use, inadequate maintenance, or neglect of this product.