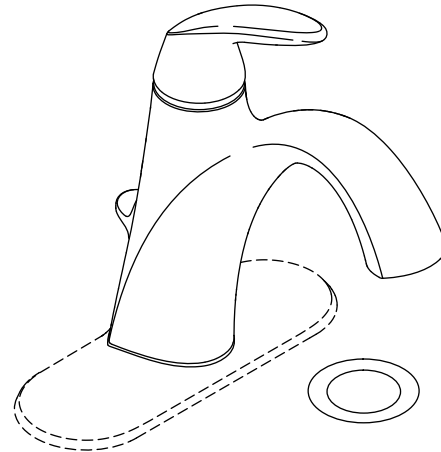


Features

- Metal construction
- One-piece, self-contained ceramic disc valve allows both volume and temperature control
- Temperature memory allows faucet to be turned on and off at any temperature setting
- Pop-up drain with lift rod and tailpiece
- Flexible connections for easy installation
- 5" (127 mm) spout reach
- Stationary spout
- 1.5 gal/min (5.7 l/min) maximum flow rate
- Lever handle and single-hole mounting
- Includes a 6-1/4" (159 mm) escutcheon plate for three-hole bathroom sinks

**SINGLE-HANDLE BATHROOM SINK FAUCET
K-45800**



Codes/Standards Applicable

Specified model meets or exceeds the following:

- ADA
- ICC/ANSI A117.1
- ASME A112.18.1/CSA B125.1
- NSF 61
- All applicable US Federal and State material regulations
- EPA WaterSense®

Colors/Finishes

- CP: Polished Chrome
- Other: Refer to Price Book for additional colors/finishes

Specified Model

Model	Description	Colors/Finishes
K-45800-4	Single-handle bathroom sink faucet	<input type="checkbox"/> CP <input type="checkbox"/> Other _____

Optional Accessories
Additional flow options are available (refer to the KOHLER Price Book)

Product Specification

The bathroom sink faucet shall be of metal construction. Faucet shall have lever handle, single-hole mounting, and 1.5 gal/min (5.7 l/min) maximum flow rate. Faucet shall feature one-piece, self-contained ceramic disc valve, which allows for both volume and temperature control. Faucet shall have 5" (127 mm) spout reach, stationary spout, flexible connections for easy installation, and a pop-up drain with lift rod and tailpiece. Faucet shall feature temperature memory, allowing the faucet to be turned on and off at any temperature setting. Faucet shall include 6-1/4" (159 mm) escutcheon plate for three-hole bathroom sinks. Bathroom sink faucet shall be Kohler Model K-45800-4-_____.

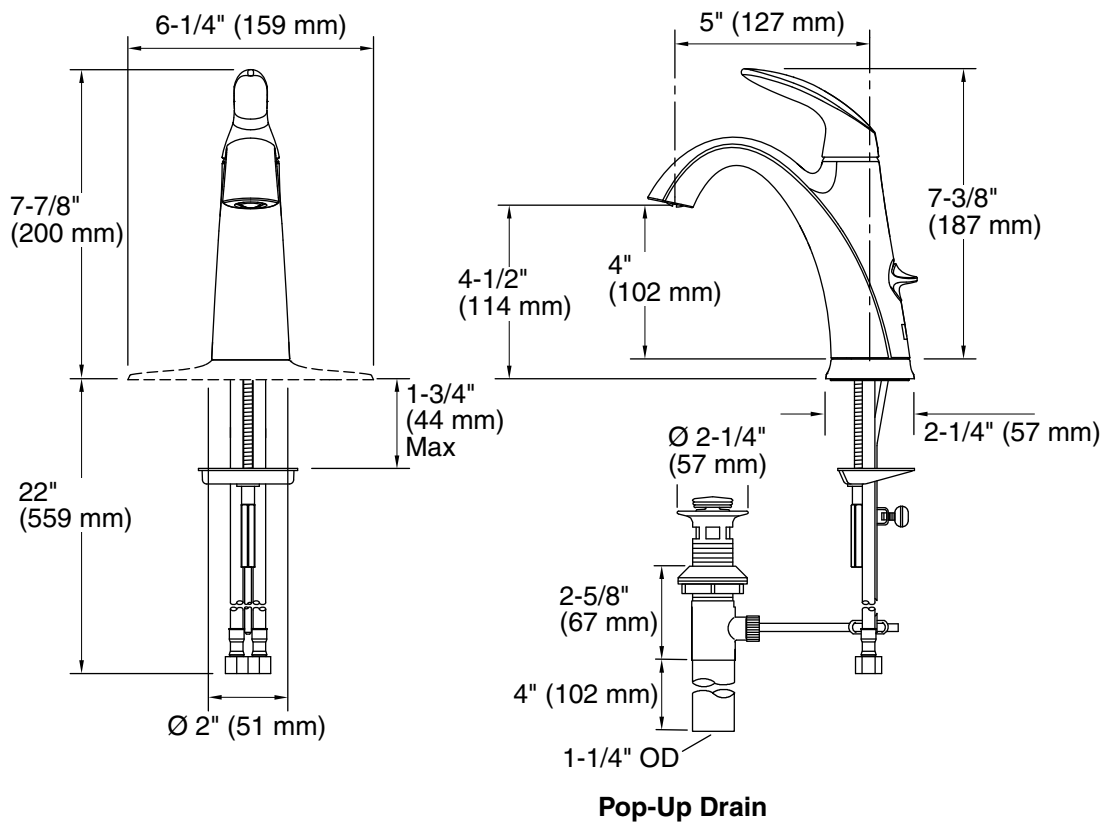
ALTEO®

Installation Notes

Install this product according to the installation guide.

If possible, assemble the faucet and drain to the bathroom sink before installing the sink.

ADA compliant when installed to the specific requirements of the regulation.



Product Diagram