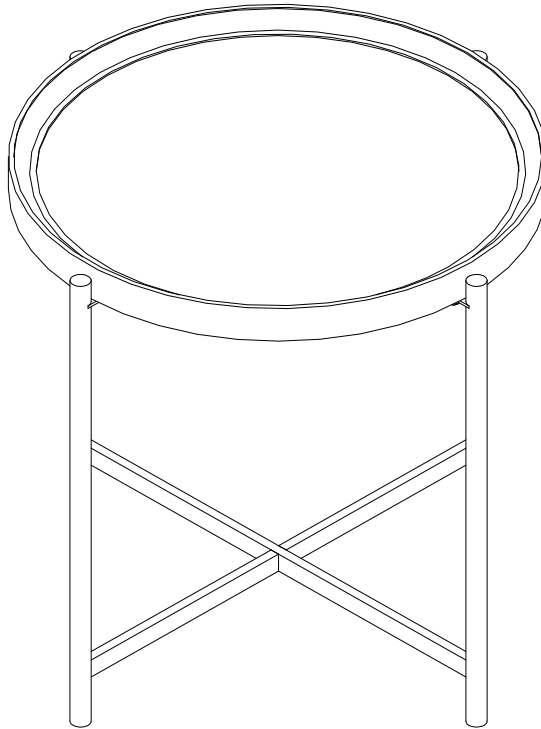


ASSEMBLY INSTRUCTIONS

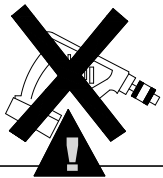
20" Diameter Coffee Table



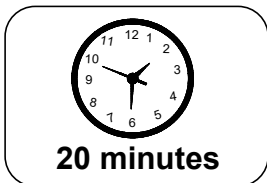
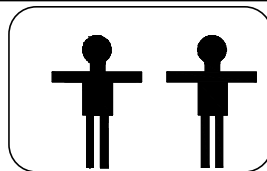
REPLACEMENT PARTS

Please do not contact the company purchased from as we can help you faster.

Order replacement parts and hardware at "boltonfurniture.com"

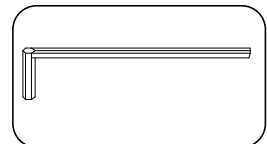


- . Use of power tool to assemble this product will invalidate any claim and damage this product making it unsafe!!!
- . Please assemble on a clean soft surface to avoid damage.



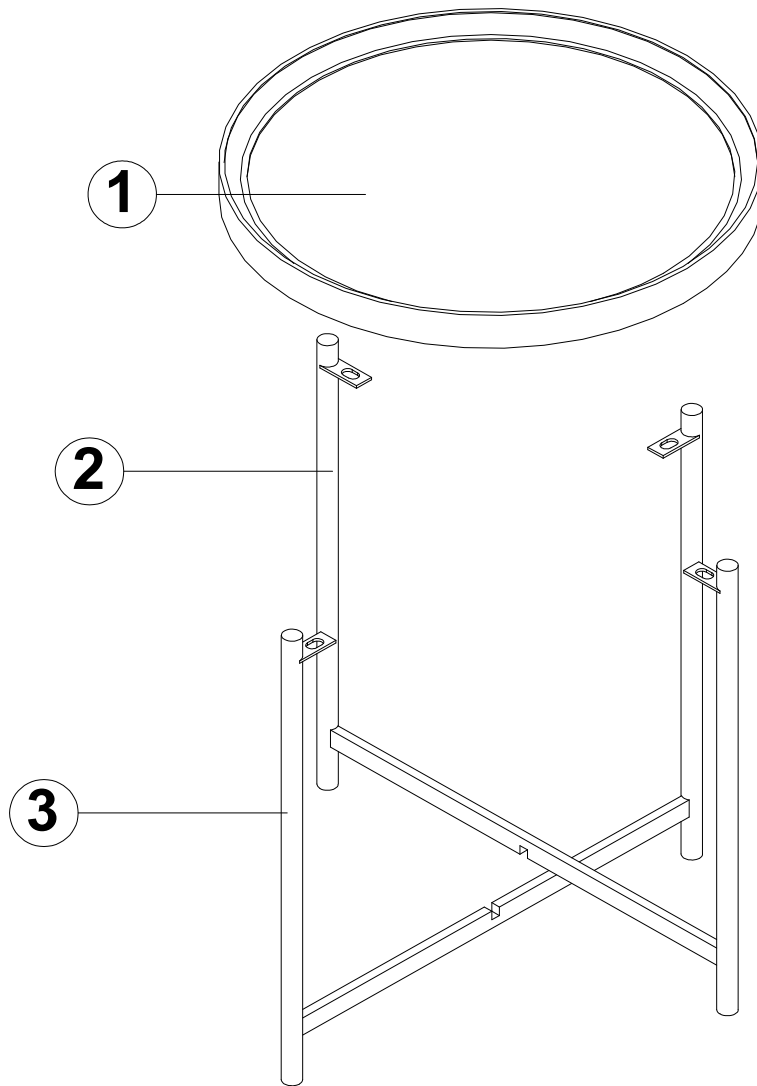
20 minutes

Tool Included

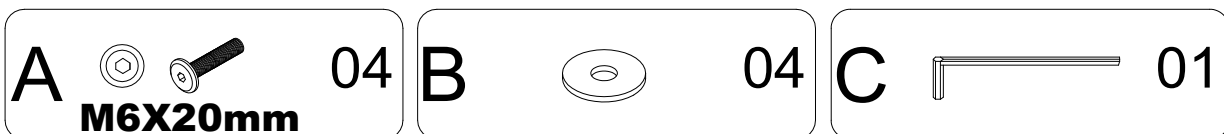


www.boltonfurniture.com

Part List-20" Diameter Coffee Table






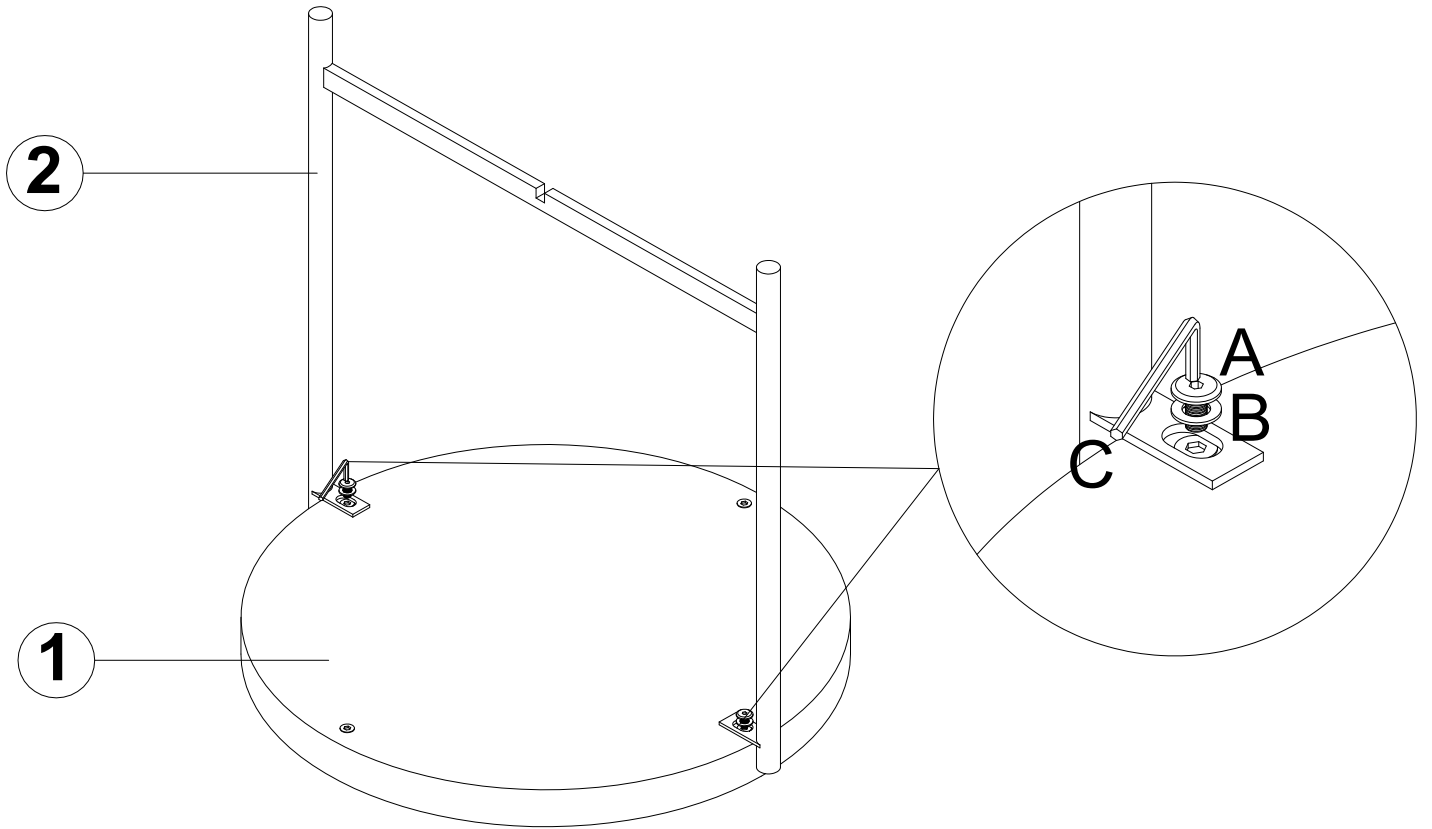
Identifying the hardware-Identify the hardware using the illustrations below.






www.boltonfurniture.com

STEP 1

A  02 M6X20mm	B  02	C  01
--	---	---



STEP 2

A  02 M6X20mm	B  02	C  01
---	--	--

