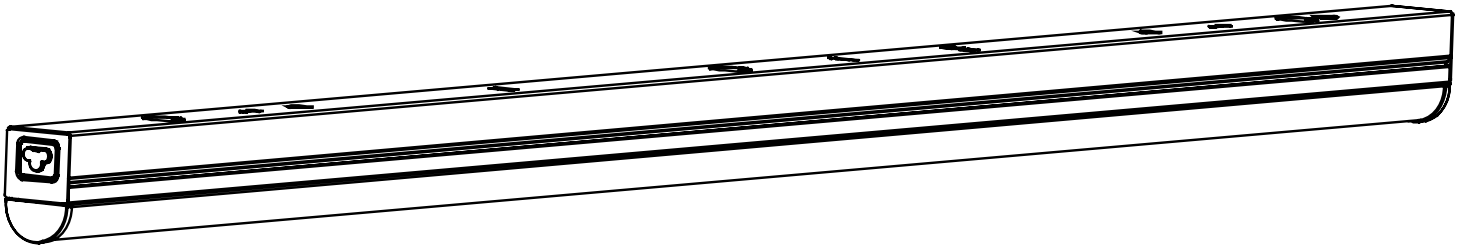


USE AND CARE GUIDE

LINKABLE LED STRIP LIGHT



Questions, problems, missing parts? Before returning to the store,
call Commercial Electric Customer Service
8 a.m. – 7 p.m., EST, Monday - Friday
9 a.m. – 6 p.m., EST, Saturday

1-877-527-0313

HOMEDEPOT.COM



THANK YOU

We appreciate the trust and confidence you have placed in Commercial Electric through the purchase of this LED light. We strive to continually create quality products designed to enhance your home. Visit us online to see our full line of products available for your home improvement needs. Thank you for choosing Commercial Electric!

Table of Contents

Table of Contents	2	Available Accessories	4
Safety Information	2	Installation	5
Warranty	2	Surface Mounting	5
Pre-Installation	3	Suspension Mounting	10
Planning Installation	3	Linking Feature	11
Tools Required	3	Care and Cleaning	13
Package Contents	3	Troubleshooting	13
Hardware Included	4		

Safety Information

WARNING: Carefully read and understand the information given in this manual before beginning the assembly and installation. Failure to do so could lead to electric shock, fire, or other injuries which could be hazardous or even fatal.

WARNING: Ensure the electricity to the wires you are working on is shut off. Either remove the fuse or turn off the circuit breaker.

WARNING: For safety, linked strip lights can either be installed as plug-in or direct wire, but never combined.

NOTICE: Connect up to a maximum of 30 strip lights. Do not exceed 300 total watts for interconnected lights.

NOTICE: When using the power cord, the maximum distance to the electrical receptacle is determined by the 5 ft. power cord length.

NOTICE: Do not use this fixture with a dimmer switch.

NOTICE: This equipment has been tested and found to comply with the limits for a Class B digital device, pursuant to Part 15 of the FCC Rules. These limits are designed to provide reasonable protection against harmful interference in a residential installation. This equipment generates, uses and can radiate radio frequency energy and, if not installed and used in accordance with the instructions, may cause harmful interference to radio communications. However, there is no guarantee that interference will not occur in a particular installation. If this equipment does cause harmful interference to radio or television reception, which can be determined by turning the equipment off and on, the user is encouraged to try to correct the interference by one or more of the following measures:

- Reorient or relocate the receiving antenna.
- Increase the separation between the equipment and the receiver.
- Connect the equipment into an outlet on a circuit different from that to which the receiver is connected.
- Consult the dealer or an experienced radio/TV technician for help.

CAUTION: Changes or modifications not expressly approved by the party responsible for compliance could void the user's authority to operate the equipment.

Warranty

WHAT IS COVERED

The manufacturer warrants this light fixture to be free from defects in materials and workmanship for a period of five (5) years from date of purchase. This warranty applies only to the original consumer purchaser and only to products used in normal use and service. If this product is found to be defective, the manufacturer's only obligation, and your exclusive remedy, is the repair or replacement of the product at the manufacturer's discretion, provided that the product has not been damaged through misuse, abuse, accident, modifications, alterations, neglect, or mishandling.

WHAT IS NOT COVERED

This warranty shall not apply to any product that is found to have been improperly installed, set-up, or used in any way not in accordance with the instructions supplied with the product. This warranty shall not apply to a failure of the product as a result of an accident, misuse, abuse, negligence, alteration, faulty installation, or any other failure not relating to faulty material or workmanship. This warranty shall not apply to the finish on any portion of the product, such as surface and/or weathering, as this is considered normal wear and tear.

The manufacturer does not warrant and specifically disclaims any warranty, whether express or implied, of fitness for a particular purpose, other than the warranty contained herein. The manufacturer specifically disclaims any liability and shall not be liable for any consequential or incidental loss or damage, including but not limited to any labor / expense costs involved in the replacement or repair of said product.

Contact the Customer Service Team at 1-877-527-0313 or visit www.HomeDepot.com

Pre-Installation

PLANNING INSTALLATION

WARNING: Shut off power at the circuit breaker or fuse panel before removing an old fixture or installing the new one.

Before beginning assembly, installation, or operation of product, make sure all parts are present. Compare parts with the Hardware Included and Package Contents lists. If any part is missing or damaged, do not attempt to assemble, install, or operate the product. Contact customer service for replacement parts.

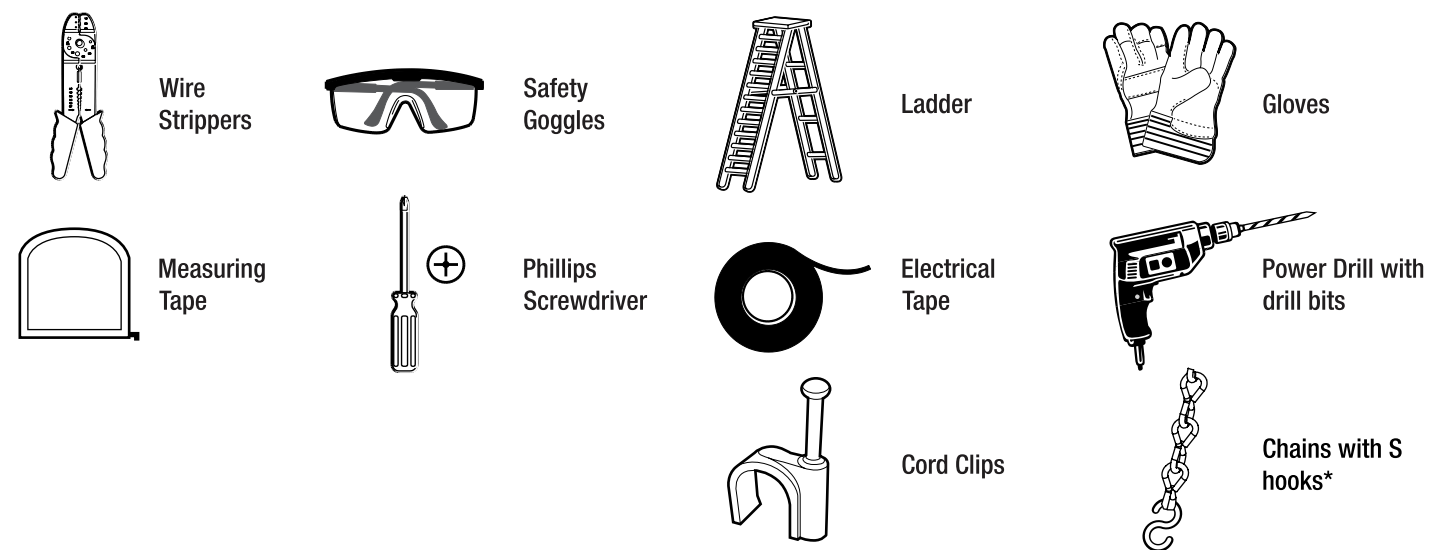
Select a suitable location that can support the weight of the fixture. Determine the method for mounting the fixture before drilling, based on the type of ceiling.

NOTE: Keep your receipt and these instructions for proof of purchase.

If you are unfamiliar with electrical installations, we recommend you contact a qualified electrician to do the installation.

TOOLS/HARDWARE REQUIRED

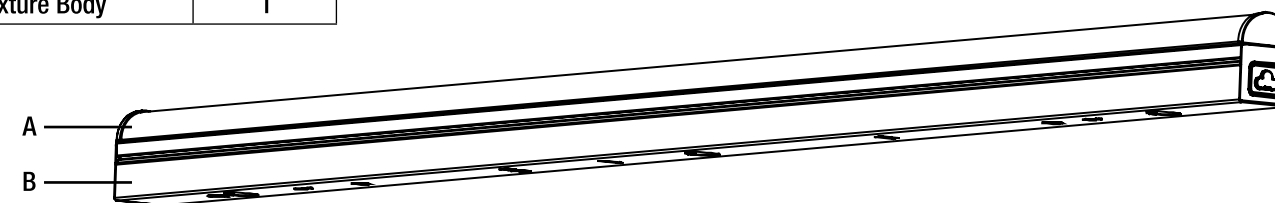
Tools and hardware required vary by type of installation.



* Chains/cables and hooks must have weight bearing capacity exceeding 11 lbs.(5 KG). S hooks must be ≤ 0.1 in. (2.5 mm).

PACKAGE CONTENTS

Part	Description	Quantity
A	Lens Cover	1
B	Fixture Body	1



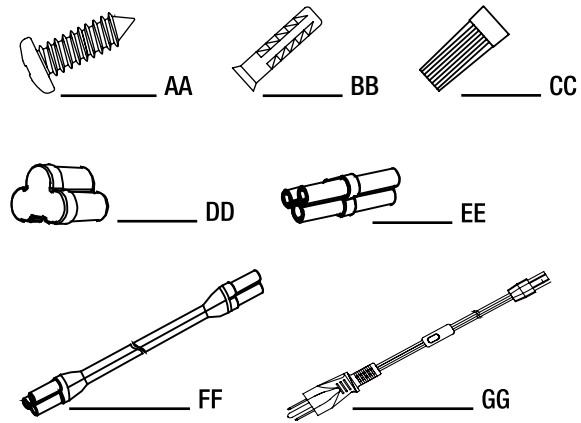
Pre-Installation (continued)

HARDWARE INCLUDED



NOTE: Hardware not shown to actual size.

Part	Description	Quantity
AA	Mounting Screw (0.6 in)	2
BB	Drywall Anchor	2
CC	Wire Connector	1
DD	End Cover	2
EE	End-to-end Connector	1
FF	Linking Cable (12 in.)	1
GG	Power Cord with ON/OFF Switch (5 ft.)	1

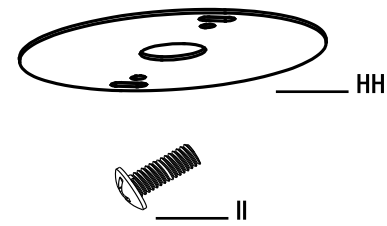


AVAILABLE ACCESSORIES

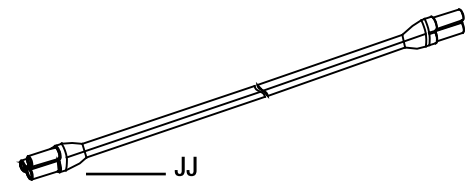


NOTE: Separate accessories not shown to actual size. Visit www.HomeDepot.com for more information and to purchase.

Part	Description	Quantity	SKU
HH	Electrical Box Plate (4 in.)	1	1001471759
II	Plate Screws	2	



Part	Description	Quantity	SKU
JJ	Linking Cable (5 ft.)	1	1001471760



Installation



WARNING: RISK OF ELECTRIC SHOCK. Ensure the electricity to the wires you are working on is shut off. Either remove the fuse or turn off the circuit breaker before removing an existing light fixture or installing the new one.

Surface Mounting

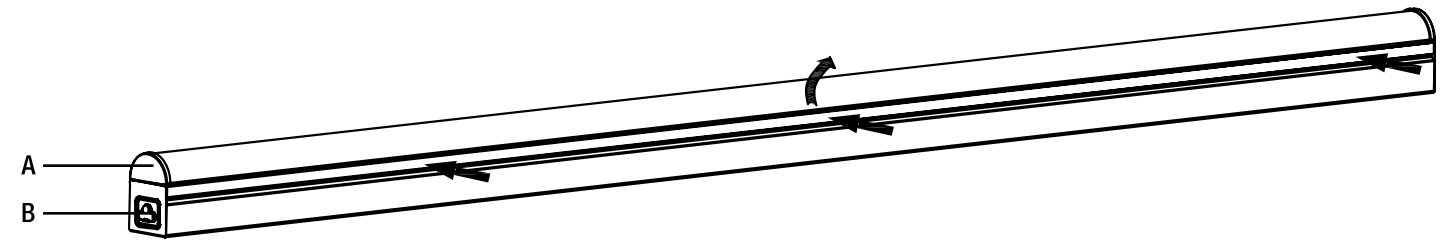
With power disconnected to the electrical box, remove the existing fixture. Make a sketch of how the current fixture is wired (by wire color) or mark the wires with masking tape and a pencil so you will know how to properly reconnect the wires to the new LED light fixture.



NOTE: Separate mounting hardware (not included) not shown to actual size.

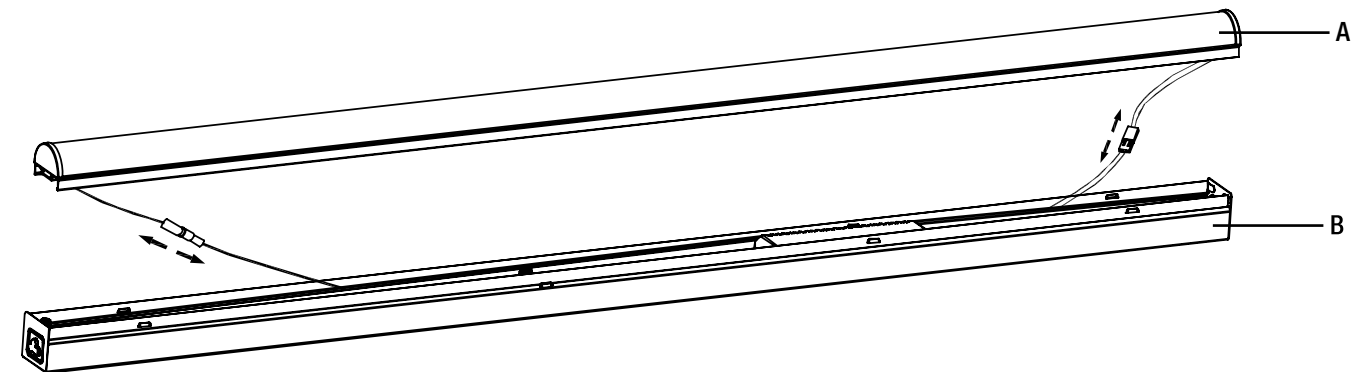
1 Separating the lens cover from the fixture body

- Press the fixture body (B) inward, in the direction of the arrows, and remove the lens cover (A) with the other hand, as indicated.



2 Preparing the fixture for installation

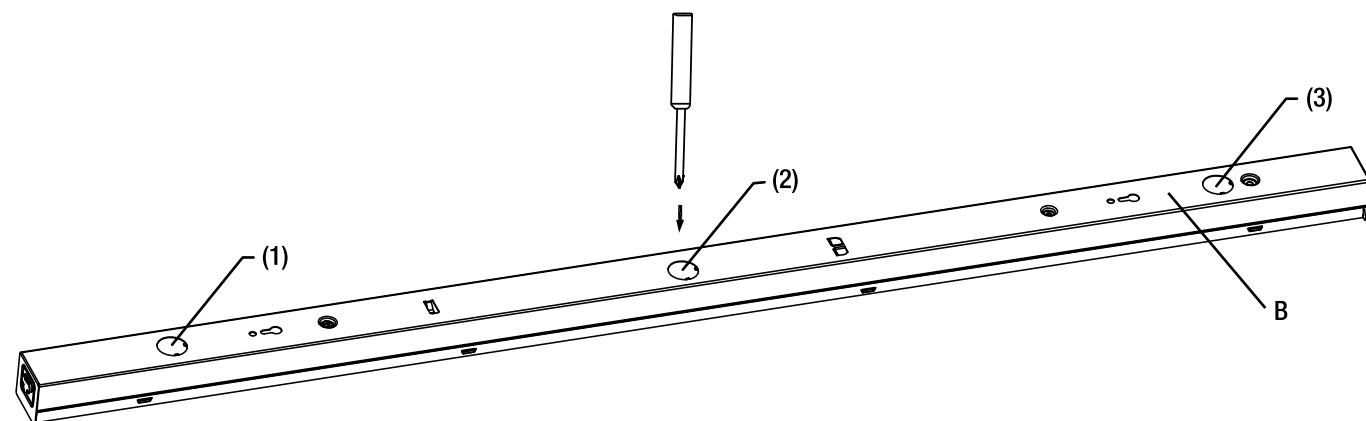
- After dividing the light fixture into the fixture body (B) and lens cover (A), unplug the connectors to separate the terminal wires and ground wire inside the light fixture.



Surface Mounting (continued)

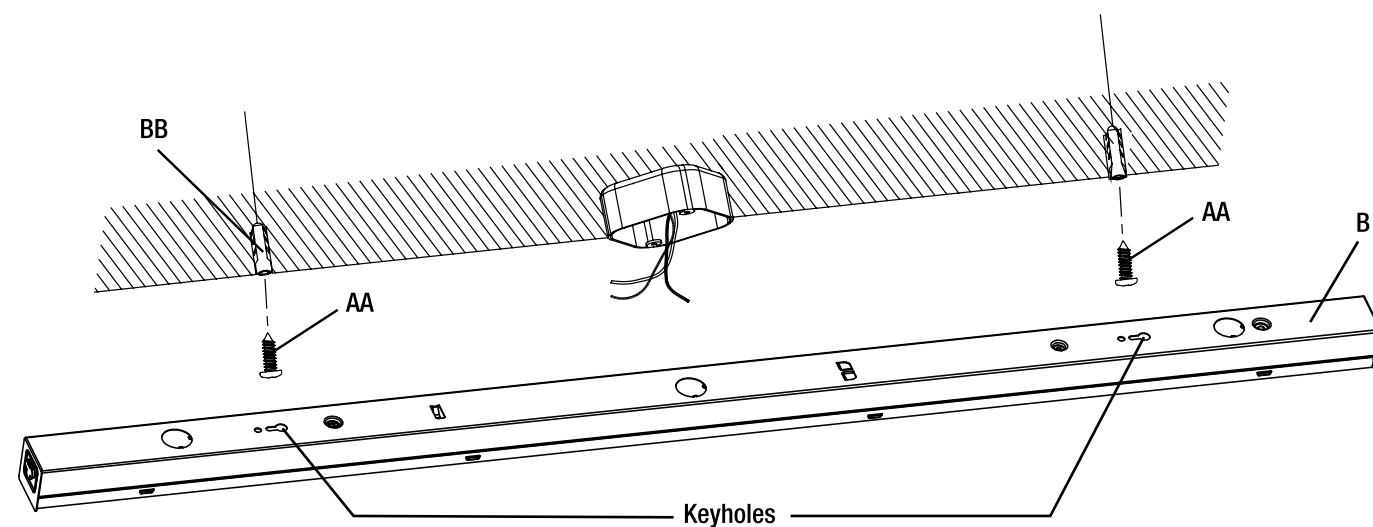
3 Removing one of the knockouts in the fixture

- Using a screwdriver, punch out one of the three large holes (1, 2, or 3) in the fixture body (B) for wiring based on the installation position.



4 Preparing to mount the fixture

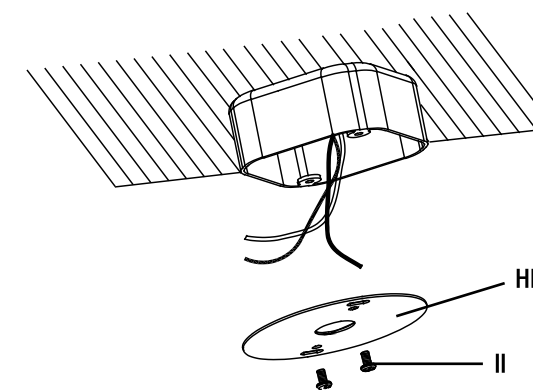
- Mark the two keyhole mounting positions of the fixture body (B) on the ceiling.
- Drill a 1/8 in. pilot hole into each of the screw locations marked on the ceiling. You can also use an awl or nail to dimple the screw holes.
- Install a drywall anchor (BB) and a mounting screw (AA) in each drilled mounting hole.



Surface Mounting (continued)

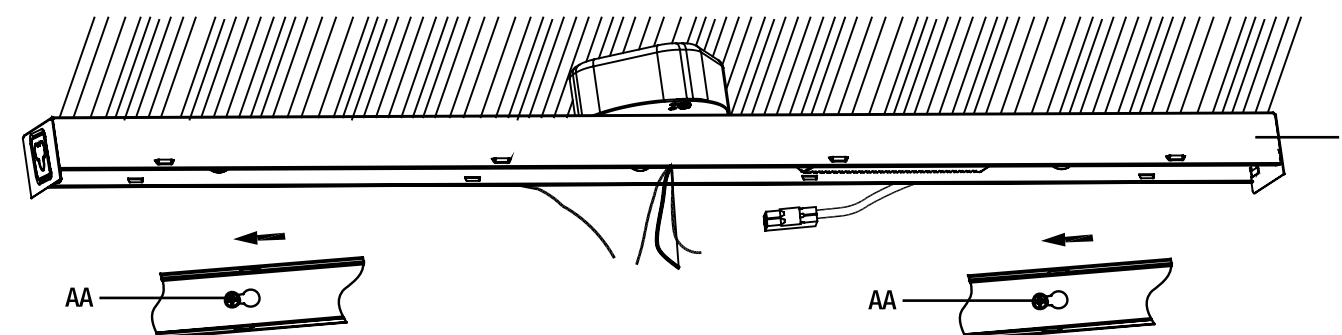
5 Attaching the electrical box plate

- Feed the electrical wires from the electrical junction box through the electrical box plate (HH - separate accessory available).
- Secure the electrical box plate (HH - separate accessory available) to the electrical box with the plate screws (II - separate accessory available).



6 Mounting the light fixture

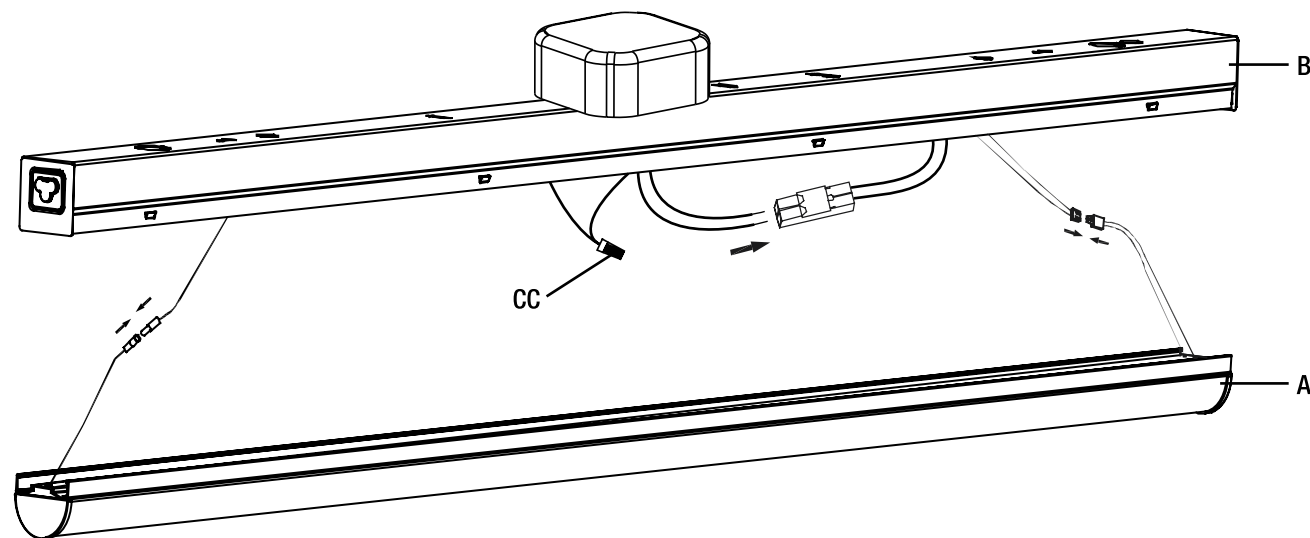
- Feed the electrical wires from the electrical box through the knock out hole in the fixture body (B).
- Align the large ends of the keyholes on the fixture body (B) with the two mounting screws (AA) in the ceiling.
- Once both screw heads are through the large ends of the keyholes, slide the fixture body (B) to the left until the heads of the mounting screws (AA) slide into the narrow ends of the keyholes.
- Use a screwdriver to tighten the mounting screws (AA).



Surface Mounting (continued)

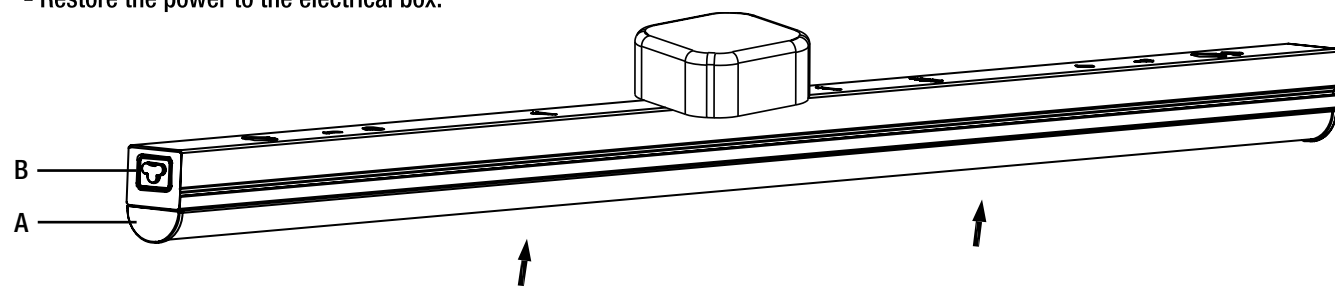
7 Making the electrical connections

- Connect the hot and neutral (black and white) wires from the fixture body (B) to the same color wires from the electrical box.
- Connect the green wire from the fixture body (B) to the ground wire from the electrical box.
- Cover the ground connection using a wire connector (CC).
- Wrap the wire connector (CC) with electrical tape (not included) for a more secure connection.
- Connect the top and bottom parts of the connectors for the terminal wires in the fixture body (B).



8 Attaching the fixture plate to the lens cover

- Snap the lens cover (A) onto the fixture body (B).
- Restore the power to the electrical box.



8

Suspension Mounting



NOTE: Separate mounting hardware (not included) not shown to actual size.



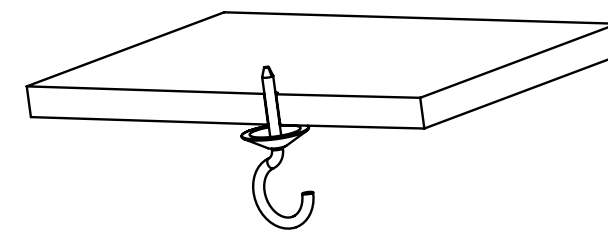
NOTE: When determining the desired location for suspension mounting the light fixture using the plug-in installation method, make sure the light fixture is located directly below the electrical outlet and that the distance between the electrical outlet and the end of the light fixture is less than 5 ft.



NOTE: Eye hooks can be used as an alternate method of attaching the fixture to the ceiling.

1 Mounting to ceiling

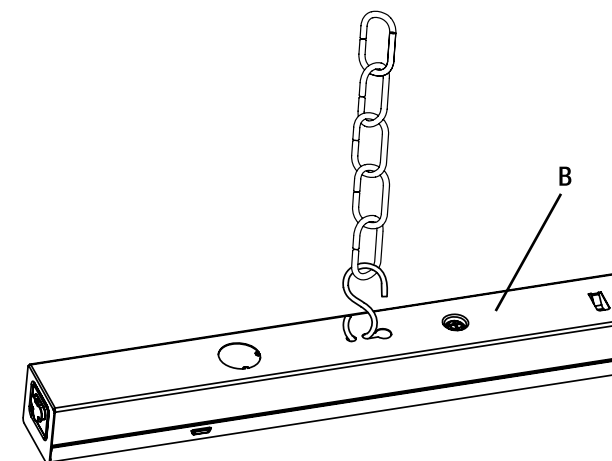
- Drill two 1/16 in. diameter holes in the ceiling to accommodate hook screws (not included). Make sure to fasten the combo wood-machine end into the metal hook.
- Tighten the hook screw (not included) into the wood.



NOTE: If using eye hooks in the ceiling instead, attach the chain with S hooks.

2 Attaching the light to the chain

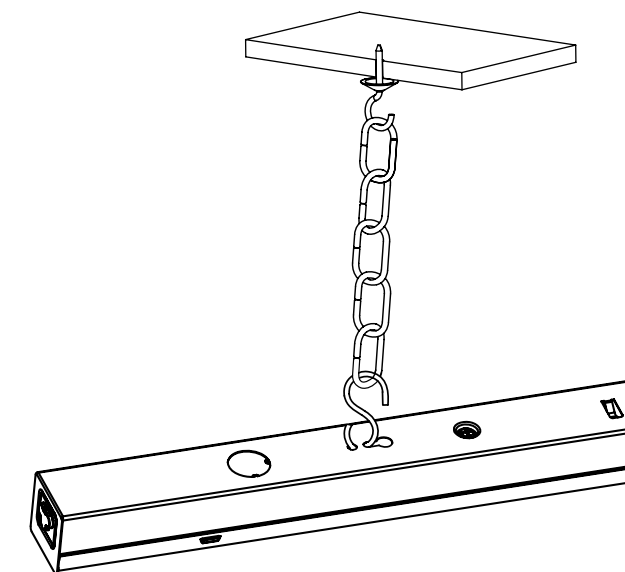
- Attach an S hook at the bottom of the mounting chain (not included) to the fixture body (B). Repeat this step on the other side of the fixture.



NOTE: Product should be suspended using metal chain or cable and hooks with weight bearing capacity exceeding 11 lbs (5 KG). S hooks must be ≤ 0.1 in. (2.5 mm) to fit the holes in the fixture body (B).

3 Attaching the chain to the ceiling

- Hang the light fixture by placing one chain over each hook (not included) that has been installed on the ceiling.
- Adjust chains to level light.



NOTE: If using eye hooks in the ceiling instead, attach the chain with S hooks.

9

HOMEDPOT.COM

Please contact 1-877-527-0313 for further assistance.

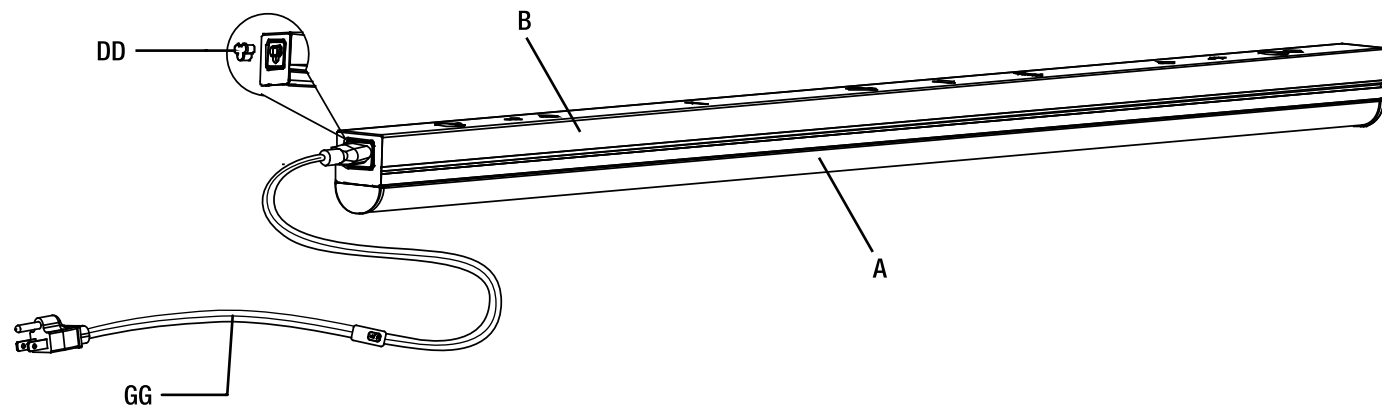
Suspension Mounting (continued)

4 Connecting the power cord



NOTE: Make sure the distance between the electrical outlet and the end of the light fixture is less than 5 ft. when using the plug-in installation method.

- Remove the end cover plug (DD) from the strip light.
- Plug the power cord (GG) into the end of the fixture body (B) and then plug the other end of the power cord (GG) into an electrical outlet.
- Secure the power cord to the ceiling using cord clips or cable raceway (not included).
- Turn the power on to activate the light fixture.



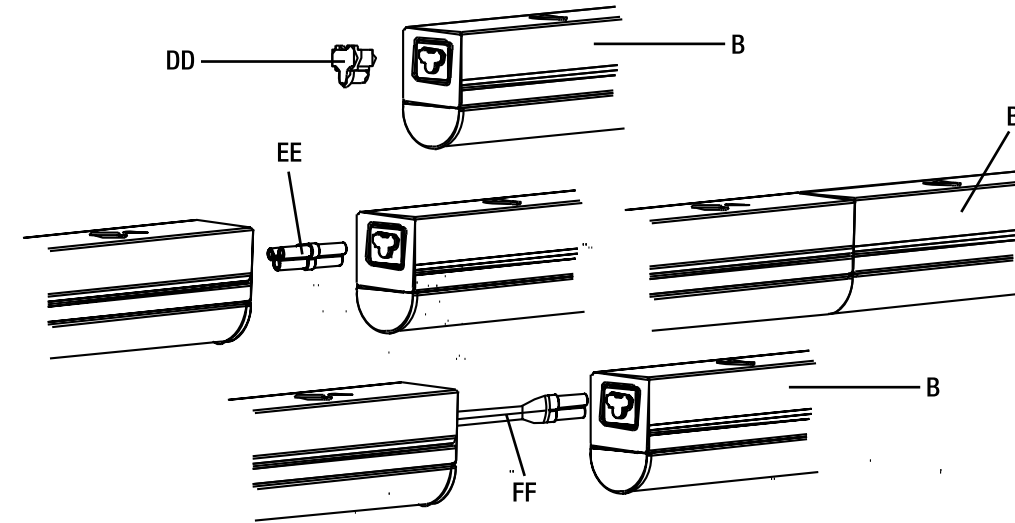
NOTE: When suspension mounting using the plug-in installation method, make sure the light fixture is located directly below the electrical outlet and that the distance between the electrical outlet and the end of the light fixture is less than 5 ft.

Linking Feature



WARNING: RISK OF ELECTRIC SHOCK. Disconnect power to the strip light before linking additional strip lights.

- Multiple light fixtures can be connected, up to a maximum of 30 Strip Lights or 300 total watts. Only the first light fixture needs to be plugged into an electrical outlet or direct wired to an electrical box.
- Provide power to the fixtures only after all linking connections have been made.
- Connect each additional fixture using either the linking cable (FF) or end-to-end connector (EE). Remove the end cover (DD) and insert either the end-to-end connector (EE) or linking cable (FF) into the receptacle in the end of each fixture body (B). When using the linking cable (FF), the maximum distance between two light fixtures is 12 in. using the linking cable (FF) provided, or 5 ft. using the 5-ft. linking cable (JJ) available as a separate accessory.



NOTE: For best results, fully insert the linking cable or end-to-end connector into the receptacle in the end of the strip light.



WARNING: RISK OF ELECTRIC SHOCK. If the receptacle on the end of the strip light is not used to link to another fixture, the receptacle needs to be closed by the end cover (DD). Do not touch live parts inside the receptacle.

- Connect up to a maximum of 30 strip lights. Do not exceed 300 total watts for interconnected lights. The table shows the maximum quantity of linkable strip lights that can be connected, based on wattage.

Model No.	Length	Wattage	Maximum # of Connected Strip Lights
54263141	2 ft.	10W	30
54262141	3 ft.	15W	20
54261141	4 ft.	20W	15



CAUTION: If using linking cable to connect strip lights, affix the linking cable to the ceiling using cord clips or cable raceway (not included).



CAUTION: For safety, linked strip lights can either be installed as plug-in or direct wire, but never a combination of both.

Care and Cleaning



CAUTION: Before attempting to clean the fixture, disconnect the power to the fixture by turning the breaker off or removing the fuse from the fuse box.

- Clean the fixture with a soft, dry cloth.
- Do not use cleaners with chemicals, solvents, or harsh abrasives.
- Do not use liquid cleaner on the LEDs, LED driver, or wiring inside the fixture.

Troubleshooting



WARNING: Before doing any work on the fixture, disconnect power to the light fixture.

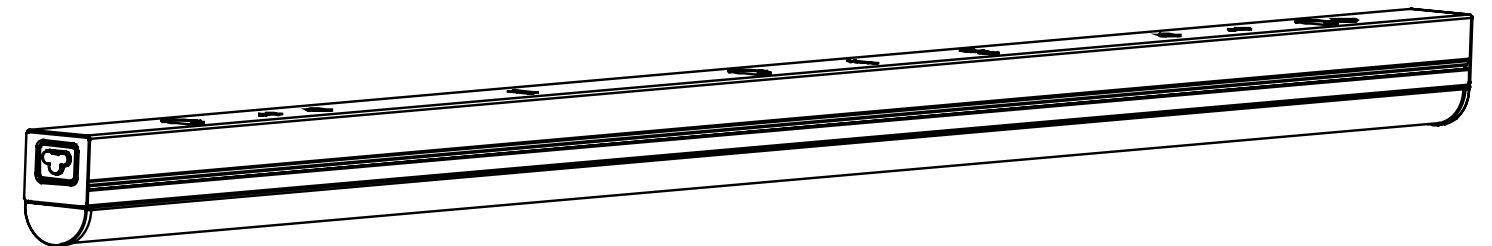
Minor problems often can be fixed without the help of an electrician.

Problem	Possible Cause	Solution
The fixture will not light.	The power is off.	Ensure the power supply is on.
	The circuit breaker is off.	Ensure the circuit breaker is in the on position.
	There is a bad connection.	Check to ensure proper wire connections are made. Contact a qualified electrician.
	There is a defective switch.	Contact a qualified electrician.
The fuse blows or the circuit breaker trips when the light is turned on.	The wires are crossed or the power wire is grounding out.	Check the wire connections. Contact a qualified electrician or call Commercial Electric customer service 1-877-527-0313.

Notes

GUÍA DE USO Y CUIDADO

BARRA DE LUZ LED ENLAZABLE



Questions, problems, missing parts? Before returning to the store,
call Commercial Electric Customer Service
8 a.m. – 7 p.m., EST, Monday - Friday
9 a.m. – 6 p.m., EST, Saturday

1-877-527-0313

HOMEDEPOT.COM

Retain this manual for future use.

¿Preguntas, problemas, piezas faltantes? Antes de devolver el producto a la tienda,
llame al Centro de Atención al Cliente de Commercial Electric en el horario de
8 a.m. – 7 p.m., Hora del Este de EE.UU., de lunes a viernes.
9 a.m. – 6 p.m., Hora del Este de EE.UU., sábados.



1-877-527-0313

HOMEDEPOT.COM



GRACIAS

*Apreciamos la confianza que ha puesto en Commercial Electric a través de la compra de esta luz LED.
Nos esforzamos por crear constantemente productos diseñados para realzar su hogar. Visítenos en línea para ver
nuestra gama completa de productos disponibles para sus necesidades al momento de hacer mejoras en su hogar.
¡Muchas gracias por elegir a Commercial Electric!*

Contenido	
Contenido	16
Información sobre seguridad	16
Garantía	16
Previo a la instalación	17
Planificación de la instalación	17
Herramientas necesarias	17
Contenido del paquete	17
Materiales incluidos	18
Accesorios disponibles	18
Instalación	19
Montaje en superficie	19
Instalación suspendida	23
Opción de enlace	25
Cuidado y limpieza	27
Solución de problemas	27

Información sobre seguridad



ADVERTENCIA: Lea cuidadosamente y comprenda la información incluida en este manual antes de comenzar el armado e instalación. No hacerlo puede provocar descarga eléctrica, incendio, u otras lesiones que pueden ser graves o mortales.



ADVERTENCIA: Asegúrese de cortar el suministro eléctrico en los cables con los que trabajará. Extraiga los fusibles o apague el cortacircuitos.



ADVERTENCIA: Por seguridad, las barras de luz conectadas pueden ser instalado como cable enchufable o directo, pero nunca combinado.

AVISO: Puede conectar hasta un máximo de 30 pies. No exceda de 300 vatios en total para lámparas interconectadas.

AVISO: Cuando se utiliza el cable de alimentación, la distancia máxima al receptáculo eléctrico se determina por la longitud del cable de alimentación de 5 pies.

AVISO: No use esta lámpara con un interruptor atenuador.

AVISO: Este equipo ha sido sometido a prueba y se halló que cumple con los límites establecidos para la clase B de dispositivos digitales, conforme a la Parte 15 de las Normas de FCC. Estos límites se establecen para brindar protección razonable contra interferencia dañina en una instalación residencial. Este equipo genera, utiliza y puede irradiar energía de frecuencias de radio y, si no se instala conforme a las instrucciones, puede provocar interferencia dañina a las comunicaciones de radio. A pesar de esto, no existe garantía de que la interferencia no se produzca en una instalación en particular. Si este equipo produce interferencia dañina a la recepción de radio o televisión, lo que puede determinarse encendiendo y apagando el equipo, se insta al usuario a intentar corregir la interferencia mediante uno de los siguientes métodos:

- Cambie la orientación o ubicación de la antena receptora.
- Aumente la separación entre el equipo y el receptor.
- Conecte el equipo en un enchufe que esté en un circuito diferente al cual está conectado el receptor.
- Consulte con el representante o con un técnico experimentado en radio y televisión para solicitar asistencia.



PRECAUCIÓN: Los cambios o modificaciones que no estén expresamente aprobados por la parte responsable del cumplimiento anulan la autoridad del usuario de operar el equipo.

Garantía

CUBRE

El fabricante garantiza que este aparato de iluminación no tendrá defectos en los materiales o en la mano de obra por un periodo de cinco (5) años desde la fecha de compra. Esta garantía se aplica sólo al comprador consumidor original y sólo a los productos que se utilizan y reciben servicio en forma normal. Si se encuentra que este producto tiene defectos, la única obligación del fabricante, y su exclusiva solución, es reparar o reemplazar el producto a su entera discreción, siempre y cuando el producto no se haya dañado debido al mal uso, abuso, accidente, modificaciones, alteraciones, negligencias o mal manejo del mismo.

NO CUBRE

Esta garantía no se aplica a ningún producto que se ha instalado incorrectamente, ajustado o utilizado en una forma que no concuerde con las instrucciones suministradas junto con el producto. Esta garantía no se aplicará a fallas del producto como resultado de un accidente, uso incorrecto, abuso, negligencia, alteración, instalación defectuosa, o ninguna otra falla no relacionada con el material o mano de obra defectuosa. Esta garantía no se aplica a la terminación en una parte del producto, tales como la superficie o la acción de los elementos, ya que esto se considera desgaste normal.

El fabricante no garantiza y no acepta responsabilidad, ya sea, expresa o implícita de la idoneidad para un fin particular, a excepción de la garantía contenida en el presente. El fabricante niega específicamente responsabilidad y no será responsable por daños o pérdidas indirectas o consecuenciales, e incluye pero no se limita a los costos de mano de obra, gastos relacionados en el reemplazo o reparación de dicho producto.

Comuníquese con el equipo de Servicio al Cliente al 1-877-527-0313 o visite www.HomeDepot.com

Previo a la instalación

PLANIFICACIÓN DE LA INSTALACIÓN



ADVERTENCIA: Corte la corriente en el disyuntor o panel de fusibles antes de retirar una lámpara vieja o instalar una nueva.

Antes de comenzar el armado, la instalación o antes de operar el producto, asegúrese de que tiene todas las piezas. Compare las piezas con la lista del contenido incluyda. Si falta alguna pieza o si está dañada, no comience a armar, instalar, ni operar el producto. Comuníquese con el servicio al cliente para el reemplazo de las piezas.

Seleccione una ubicación adecuada que pueda soportar el peso del aparato. Determinar el método de montaje de la lámpara antes de la perforación, en función del tipo de techo.

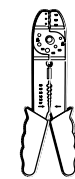


NOTA: Guardar el recibo de compra y estas instrucciones como prueba de compra.

Si no está familiarizado con las instalaciones eléctricas, le recomendamos que haga que un electricista calificado se ocupe de la instalación.

HERRAMIENTAS/MATERIALES NECESARIAS

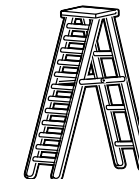
Las herramientas y materiales necesarios varían según el tipo de instalación.



Alicates pelacables



Gafas deseguridad



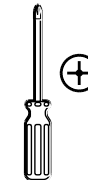
Escalera



Guantes



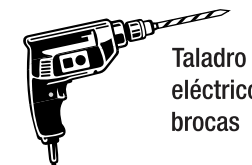
Cinta métrica



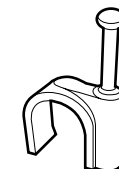
Destornillador de estrella



Cinta eléctrica



Taladro eléctrico con brocas



Abrazaderas de cable

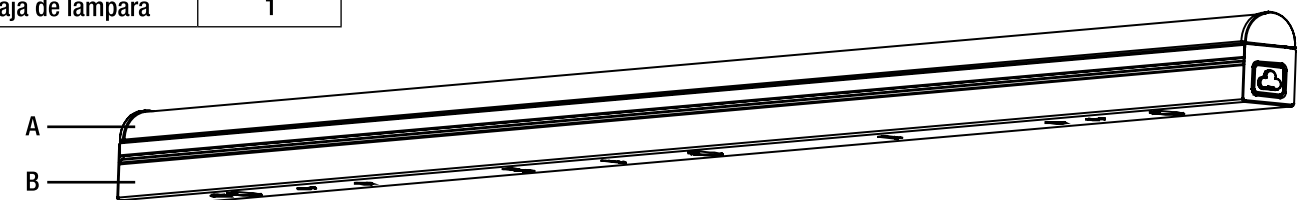


Cadenas y ganchos S*

* Cadenas / cables y ganchos deben tener una capacidad de carga superior a 11 lbs. (5 kg). Los ganchos S deben ser ≤ 0,1 pulg. (2,5 mm).

CONTENIDO DEL PAQUETE

Pieza	Descripción	Cantidad
A	Cubierta	1
B	Caja de lámpara	1



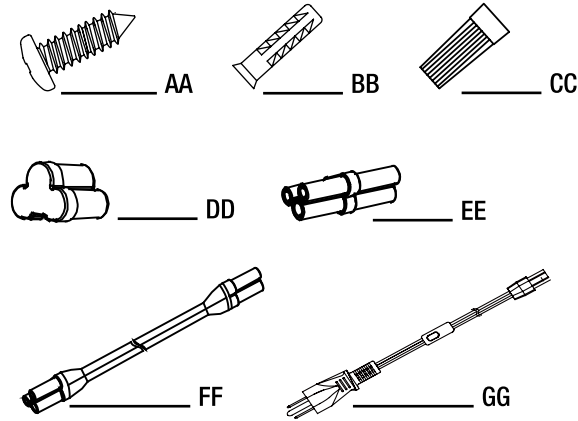
Previo a la instalación (continuación)

MATERIALES INCLUIDOS



NOTA: Los materiales no se ilustran en tamaño real.

Pieza	Descripción	Cantidad
AA	Tornillo de montaje (0.6 pulg.)	2
BB	Anclaje para panel de yeso	2
CC	Conector de cable	1
DD	Capuchón de extremos	2
EE	Conector de extremos	1
FF	Cable de enlace de 12 pulg.	1
GG	Cable de alimentación con interruptor (5 pies)	1

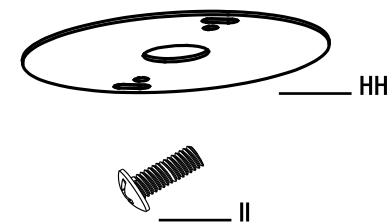


ACCESORIOS DISPONIBLES

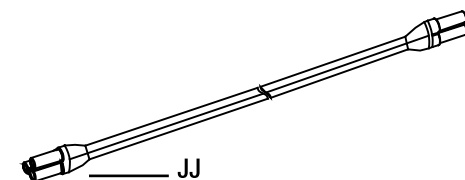


NOTA: Accesorios no mostrados al tamaño real. Visite www.HomeDepot.com para obtener más información y para comprar.

Pieza	Descripción	Cantidad	SKU
HH	Cubierta de caja eléctrica (4 pulg.)	1	1001471759
II	Tornillos de cubierta	2	



Pieza	Descripción	Cantidad	SKU
JJ	Cable de enlace de 5 pies (60 pulg.)	1	1001471760



Instalación



ADVERTENCIA: RIESGO DE DESCARGA ELÉCTRICA. Asegúrese de cortar el suministro eléctrico en los cables con los que trabajará. Extraiga los fusibles o apague el cortacircuitos antes de quitar el aparato de iluminación existente o instalar uno nuevo.

Montaje en superficie

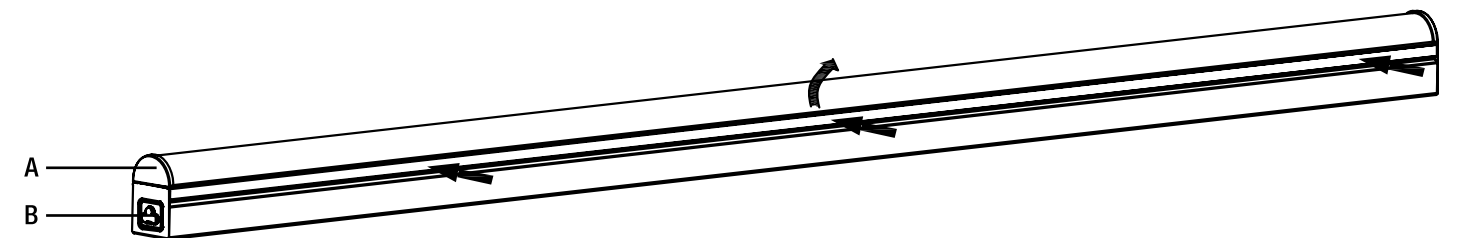
Con la alimentación desconectada de la caja eléctrica, retire la lámpara existente. Haga un bosquejo de cómo se fija la lámpara actual (por el color del alambre) o marque los alambres con cinta y un lápiz así que usted sabrá reconectar correctamente los alambres a la nueva lámpara LED.



NOTA: Las diferentes piezas de ferretería (no se incluyen) no se muestran en tamaño real.

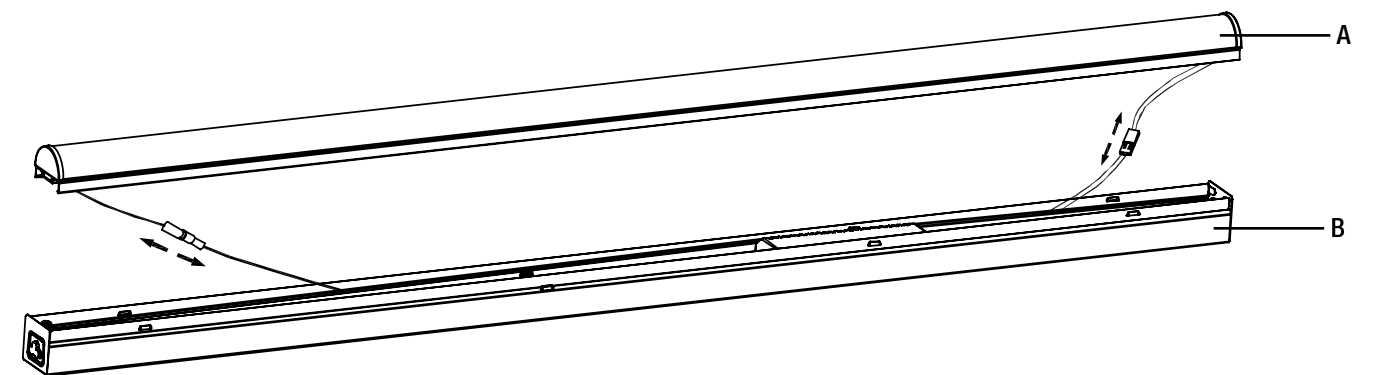
1 Separar la cubierta de la caja de la lámpara

- Presione la caja de la lámpara (B) hacia dentro, en la dirección de las flechas, y retire la cubierta (A) con la otra mano, como se indica.



2 Preparar la lámpara para la instalación

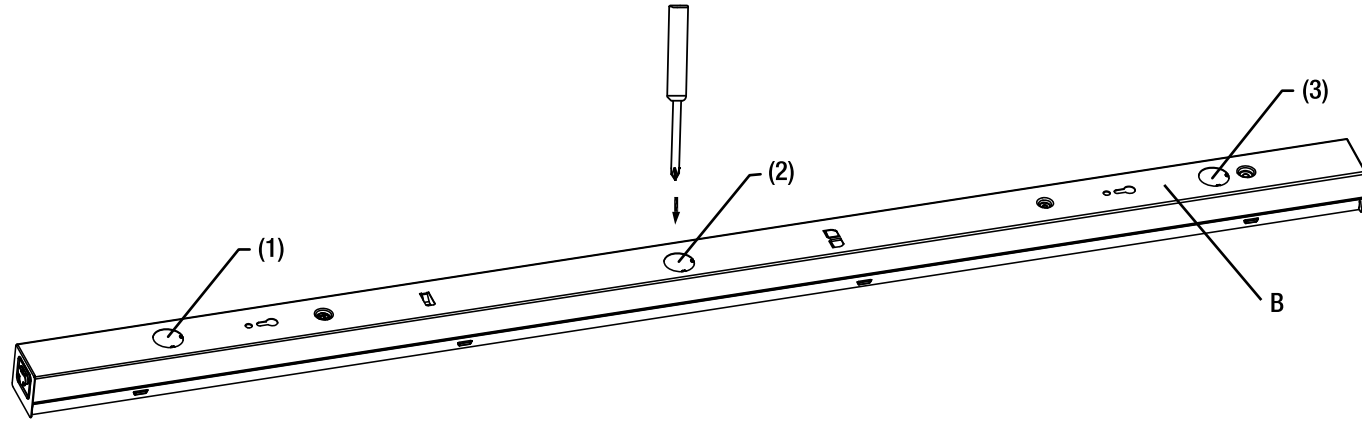
- Después de dividir la lámpara en la caja (B) y en la cubierta (A), desenchufe los conectores para separar los cables terminales y el cable de tierra dentro de la lámpara.



Montaje en superficie (continuación)

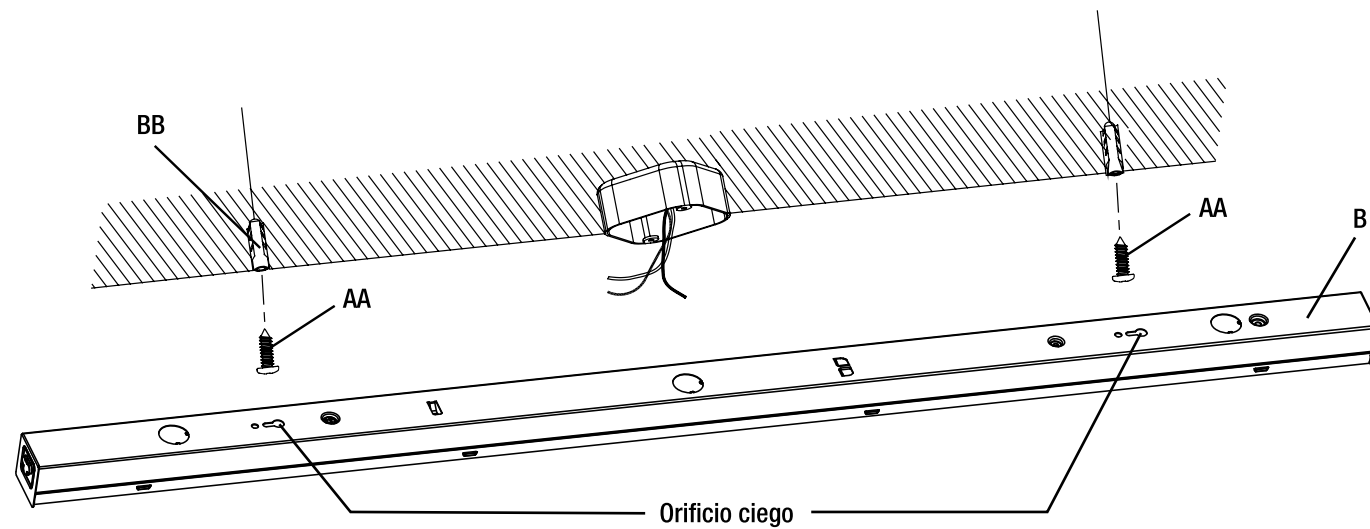
3 Retire uno de los agujeros ciegos en la lámpara

- Con un destornillador, puntee uno de los tres agujeros grandes (1, 2 ó 3) en la caja de la lámpara (B) para el cableado en función de la posición de instalación.



4 Prepararse para montar la lámpara

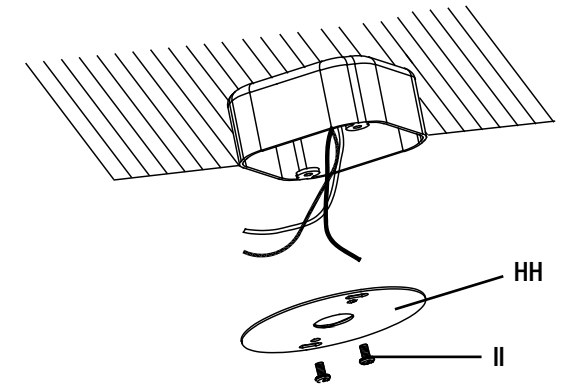
- Marque las dos posiciones de montaje de los orificios ciegos de la caja de la lámpara (B) en el techo.
- Perfore un orificio inicial de 1/8 pulg. en cada una de las ubicaciones de tornillo marcadas en el techo. También puede utilizar un punzón o un clavo para hoyar los orificios de los tornillos.
- Instale un anclaje para panel de yeso (BB) en cada orificio de montaje perforado.



Montaje en superficie (continuación)

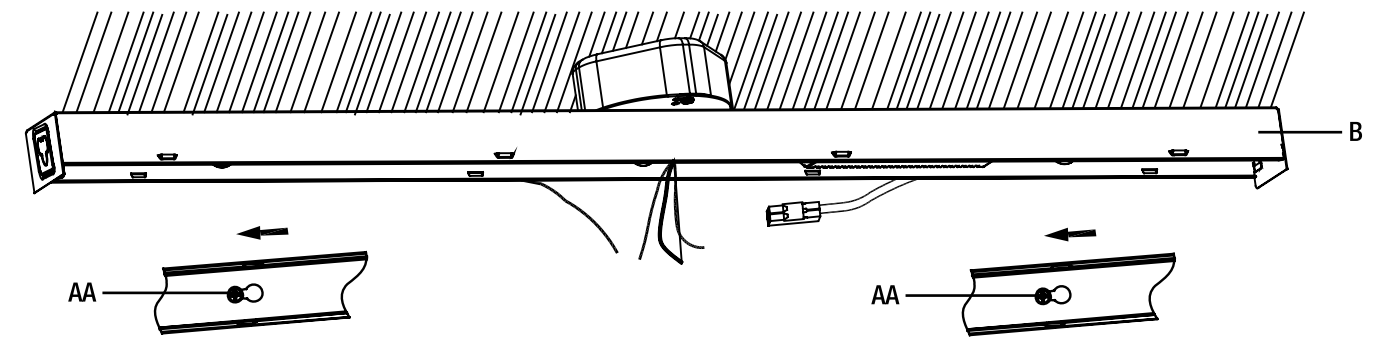
5 Fijar la cubierta de la caja eléctrica

- Pase los cables eléctricos de la caja eléctrica a través de la cubierta de la caja eléctrica (HH - accesorio disponible por separado).
- Asegure la cubierta (HH - accesorio disponible por separado) a la caja eléctrica con los tornillos de cubierta (II - accesorio disponible por separado).



6 Fijar la lámpara

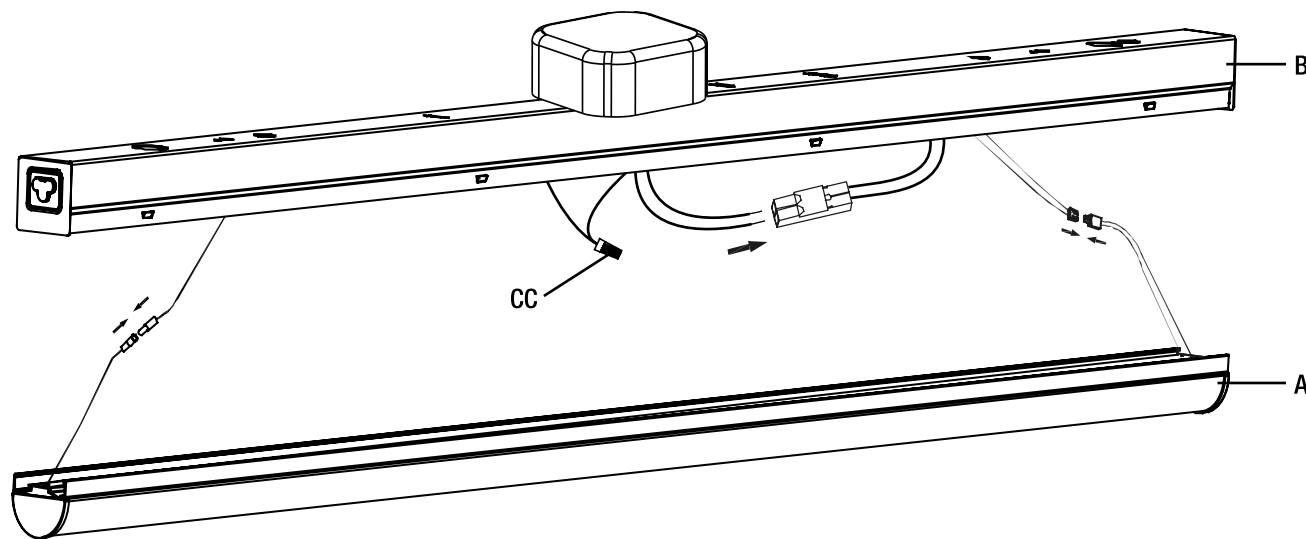
- Pase los cables eléctricos de la caja eléctrica a través del agujero en la caja de la lámpara (B).
- Alinee los orificios ciegos de montaje que están en la caja de la lámpara (B) con los 2 tornillos (AA) de montaje del techo.
- Una vez que ambas cabezas de tornillos salgan por los extremos grandes de los orificios, deslice la caja de la lámpara (B) hacia la izquierda hasta que las cabezas de los tornillos pasen por los extremos angostos de los orificios.
- Use un destornillador para ajustar los tornillos de montaje (AA).



Montaje en superficie (continuación)

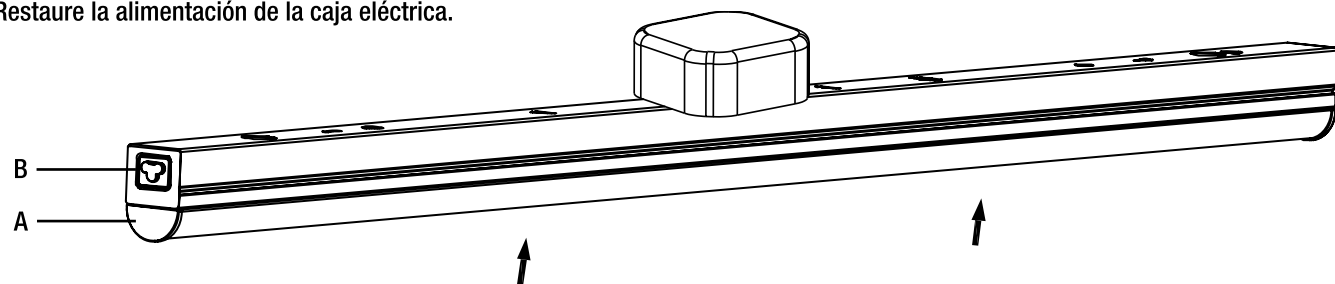
7 Hacer las conexiones eléctricas

- Conecte el cable energizado y el neutro (negro y blanco) de la caja de la lámpara (B) a los cables del mismo color de la caja eléctrica.
- Conecte el cable verde de la caja de la lámpara (B) al cable de tierra de la caja eléctrica.
- Cubra las conexiones de los cables usando los conectores de cables (CC).
- Envuelva los conectores de cable (CC) con cinta aislante (no incluida) para una conexión más segura.
- Conecte las partes superior e inferior de los conectores para los cables terminales en la caja de la lámpara (B).



8 Fijar la caja a la cubierta de la lámpara

- Chasque la cubierta de la lámpara (A) en el caja de la lámpara (B).
- Restaure la alimentación de la caja eléctrica.



Instalación suspendida



NOTA: Las diferentes piezas de ferretería (no se incluyen) no se muestran en tamaño real.



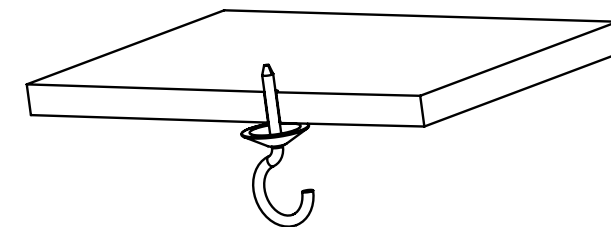
NOTA: Al determinar el lugar deseado para el montaje suspendido de la lámpara utilizando el método de instalación enchufable, asegúrese de que la lámpara se encuentra directamente debajo del receptáculo eléctrico y que la distancia entre el receptáculo eléctrico y el extremo de la lámpara es inferior a 5 pies.



NOTA: Los armellas se pueden usar como un método alternativo de fijar la lámpara al techo.

1 Instalación sobre cielorraso

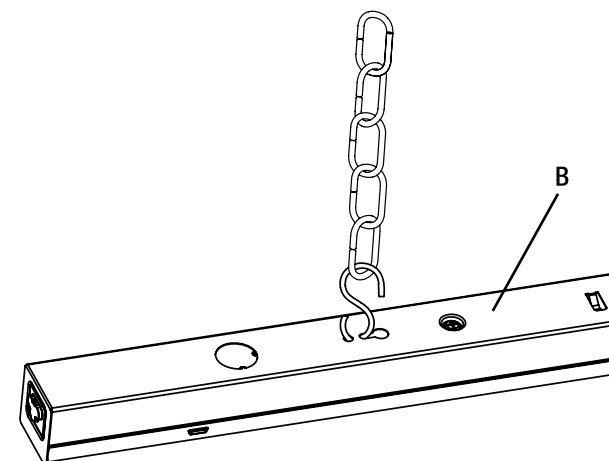
- Taladre dos agujeros de 1/16 pulgadas de diámetro en el cielorraso para ajustar los tornillos de gancho (no se incluyen). Asegúrese de sujetar el espárrago extremo madera – metal en el tornillo de gancho.
- Apriete el tornillo de gancho (no se incluyen) dentro de la madera.



NOTA: Si utiliza armellas, se proporcionan dos ganchos opcionales para fijar la cadena en la armella en el cielorraso.

2 Sujetar la lámpara a la cadena

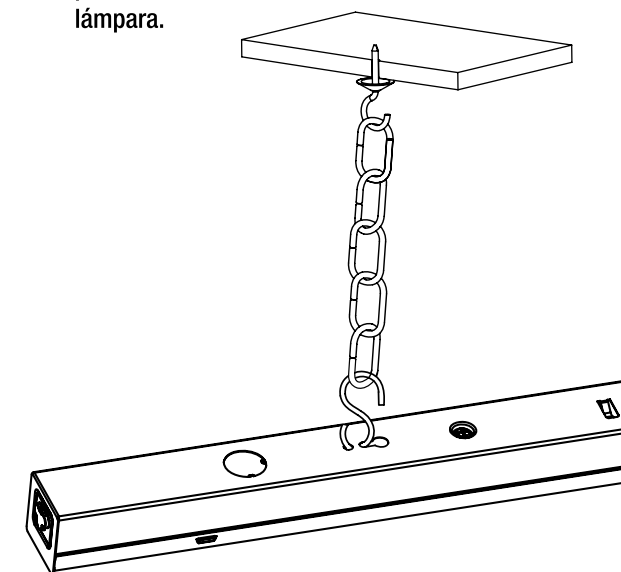
Coloque el gancho S en la parte inferior de la cadena de montaña (no incluido) a la caja de la lámpara (B). Repita este paso en el otro lado de la caja.



NOTA: El producto debe ser suspendido usando cadena o cable metálico y ganchos con capacidad de carga superior a 11 lbs (5 kg). Los ganchos S deben ser $\leq 0,1$ pulg. (2,5 mm) para ajustar los orificios en la caja de la lámpara (B).

3 Sujetar la cadena al cielorraso

Cuelgue la lámpara colocando una cadena sobre cada gancho (no incluido) que haya sido instalado en el techo. Ajuste las cadenas para nivelar la lámpara.



NOTA: Si utiliza armellas, se proporcionan dos ganchos opcionales para fijar la cadena en la armella en el cielorraso.

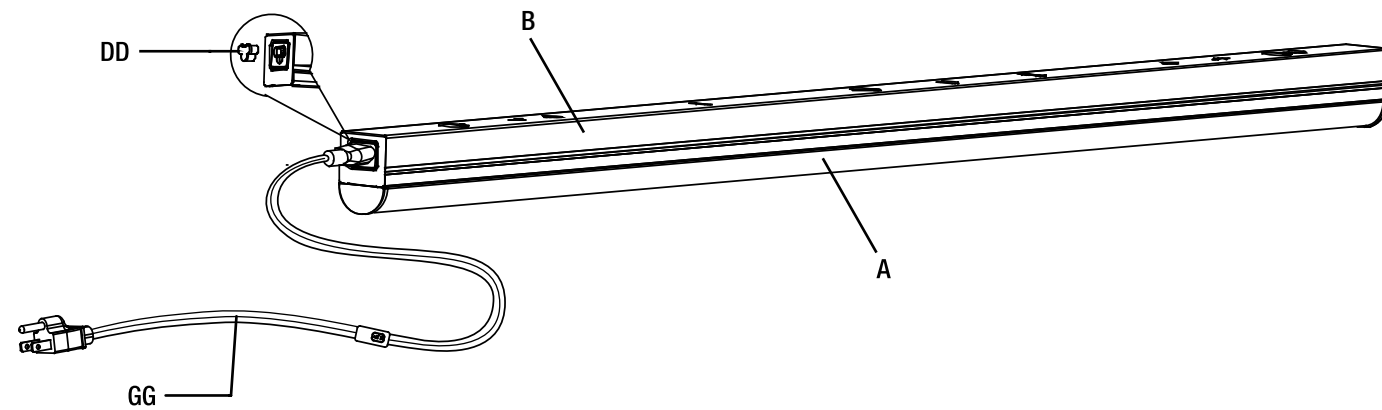
Instalación suspendida (continuación)

4 Enchufar al suministro de energía



NOTA: Asegúrese de que la distancia entre el receptáculo eléctrico y el extremo de la lámpara es inferior a 5 pies cuando se utiliza el método de instalación enchufable.

- Retire el tapón de la cubierta final (DD) de la barra de luz LED.
- Enchufe el cable de alimentación (GG) en el extremo de la caja de la lámpara (B) y luego conecte el otro extremo del cable de alimentación (GG) a un receptáculo eléctrico.
- Fije el cable de alimentación al techo utilizando abrazaderas de cable o pasacable (no incluidos).
- Encienda la lámpara.



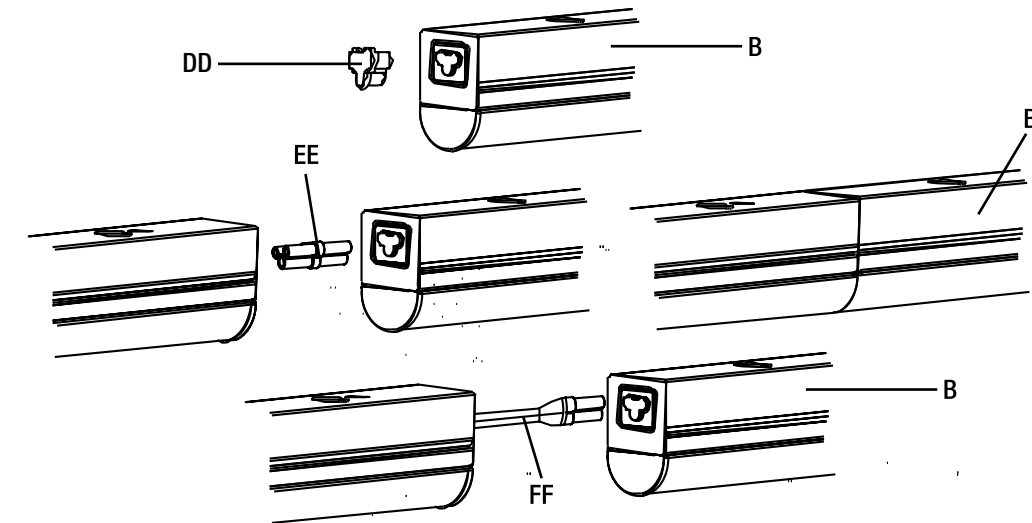
NOTA: Cuando se utiliza el montaje suspendido mediante el método de instalación enchufable, asegúrese de que la lámpara se encuentra directamente debajo del receptáculo eléctrico y que la distancia entre el receptáculo eléctrico y el extremo de lámpara es inferior a 5 pies.

Opción de enlace



ADVERTENCIA: RIESGO DE DESCARGA ELÉCTRICA. Desconecte la energía eléctrica en el dispositivo de luz antes de enlazar otros dispositivos.

- Se pueden conectar múltiples luminarias, hasta un máximo de 30 barras de alto rendimiento o 300 vatios totales. Solamente la primera barra de luz necesita ser enchufado en un receptáculo eléctrico o directamente conectado a una caja eléctrica.
- Proporcionar energía a los accesorios sólo después de todas las conexiones de enlace se han hecho.
- Conecte cada uno de los dispositivos adicionales usando el cable de enlace (FF) o un conector de extremos (EE). Como se muestra en la imagen de abajo, utilice un punzón para sacar la cubierta del extremo (DD), inserte el conector de extremo a extremo (EE) o el cordón de conexión (FF) en las tapas extremas de la caja de la lámpara. Cuando utilice el cable de enlace (FF), tenga presente que la distancia máxima entre los dos lámparas es de 12 pulg. utilizando el cable de enlace (FF) o 5 pies utilizando el cable de enlace de 5 pies (JJ) disponible como accesorio separado.



NOTA: Para obtener los mejores resultados, inserte completamente el cable de enlace o un conector de extremos en el receptáculo en el extremo de la barra de luz.



ADVERTENCIA: RIESGO DE DESCARGA ELÉCTRICA. Si el receptáculo del extremo del dispositivo no se utiliza para enlazar otro dispositivo, el receptáculo debe cerrarse con el capuchón de extremos (DD). No toque las piezas con energía eléctrica dentro del receptáculo.

- Conecte hasta un máximo de 30 barras de luz. No exceda de 300 vatios en total para las barras interconectadas. La tabla muestra la cantidad máxima de barras de luz que se pueden conectar, según la potencia.

Modelo #	Longitud	Vatios	Número máximo de luces conectadas
54263141	2 pies (60,9 cm)	10 vatios	30
54262141	3 pies (91,4 cm)	15 vatios	20
54261141	4 pies (1,21 m)	20 vatios	15



PRECAUCIÓN: Si utiliza un cable de enlace para conectar las barras de luz, fije el cable de enlace al techo usando abrazaderas de cable o pasacable (no incluidos).



PRECAUCIÓN: Por seguridad, las barras de luz enlazables se pueden instalar como cable enchufable o directo, pero nunca una combinación de ambas.

Cuidado y limpieza



PRECAUCIÓN: Antes de limpiar la lámpara, desconecte el suministro eléctrico hacia este apagando el cortacircuitos o extrayendo el fusible de la caja de fusibles.

- Limpie la lámpara con un paño suave y seco.
- No utilice limpiadores con productos químicos, solventes o abrasivos.
- No use limpiador líquido en las bombillas LED, en la unidad LED ni en los cables que están dentro de la lámpara.

Solución de problemas



ADVERTENCIA: Antes de realizar cualquier trabajo en la lámpara, desconecte la electricidad que la alimenta.

Los problemas menores pueden arreglarse sin ayuda de un electricista.

Problema	Posible causa	Medida correctiva
La lámpara no enciende.	El suministro eléctrico está cortado.	Asegúrese de que el suministro eléctrico esté activado.
	El interruptor está apagado.	Asegúrese de que el interruptor esté en la posición de encendido.
	Hay una mala conexión.	Revise para asegurarse de que se hayan conectado los cables de forma correcta. Comuníquese con un electricista calificado.
	Hay un interruptor defectuoso.	Comuníquese con un electricista calificado.
El fusible se quema o salta el interruptor cuando se enciende la lámpara.	Los cables están cruzados o el cable de suministro eléctrico no está puesto a tierra.	Verifique las conexiones de los cables. Comuníquese con un electricista calificado o llame al Centro de Atención al Cliente de Commercial Electric 1-877-527-0313.

Notas



**¿Preguntas, problemas, piezas faltantes? Antes de devolver el producto a la tienda,
llame al Centro de Atención al Cliente de Commercial Electric en el horario de
8 a.m. – 7 p.m., Hora del Este de EE.UU., de lunes a viernes.
9 a.m. – 6 p.m., Hora del Este de EE.UU., sábados.**

1-877-527-0313

HOMEDEPOT.COM

Conserve este manual para uso futuro.