

# ASSEMBLY INSTRUCTIONS

---



---

Description : BROOKLYN 6 DRAWER DRESSER RTA  
Item No. : BD-8006

## BEFORE ASSEMBLY

Thank you for purchasing this quality product. This product has been designed for easy assembly and constructed for durability. All parts were checked prior to packaging to insure quality. Prior to beginning assembly, however, make sure all parts and hardware are included and free of obvious defect. If a part is missing or defective, please contact the store where purchased. If hardware is missing, or you need help with assembly, please call toll free 888-944-8396.

### IMPORTANT NOTE:

- Place all wooden parts on a clean and smooth surface such as a rug or carpet to avoid the parts from being scratched.
- Remove all wrapping material, including staples & packing straps before you start to assemble.
- DO NOT tighten all screws and bolts until completely assembled.
- Keep all hardware parts out of reach of children.

### WARNING:

Long exposure to rubber or soft plastic may cause a chemical reaction and damage the finish of your product. Protect the surface of the product with cloth if you are using any product with rubber feet or base.

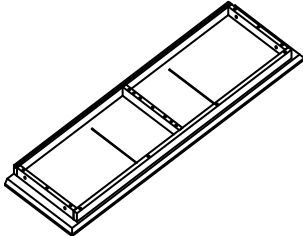
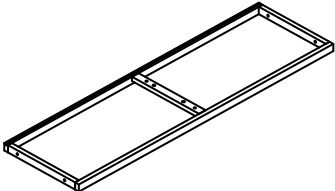
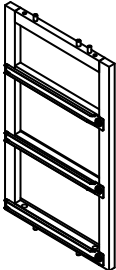

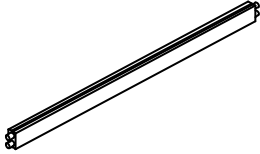
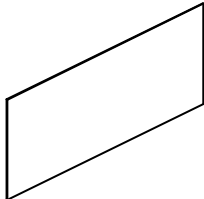
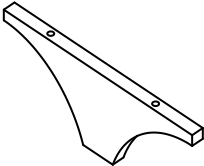
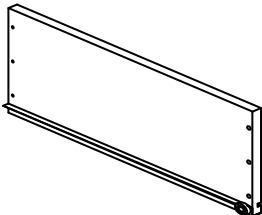
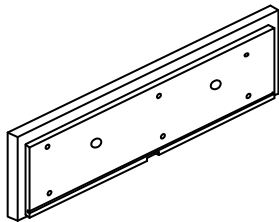
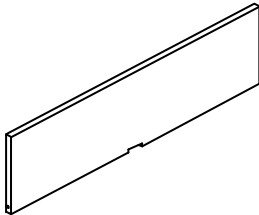
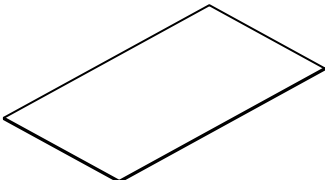
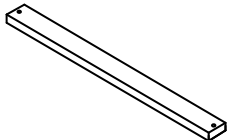
### ASSEMBLY TOOLS REQUIRED

NOT INCLUDED




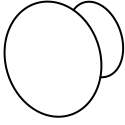

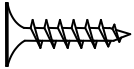

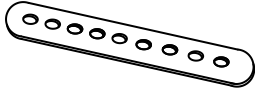
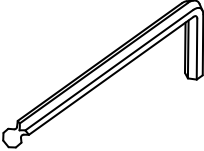

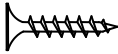

# PART LIST

When unpacking, please be careful not to discard any parts with the packaging. Before continuing, please make sure you have the following parts:

NO	Description	Qty	Sketch	NO	Description	Qty	Sketch
A	Top	1		B	Bottom panel	1	
C	Vertical panel	1		D	Side panel (L-R)	2	
E	Back rail	1		F	Back panel	2	
G	Support leg	1		H	Drawer side (L-R)	12	
I	Drawer front	6		J	Drawer back	6	
K	Drawer bottom	6		M	Support bar	6	

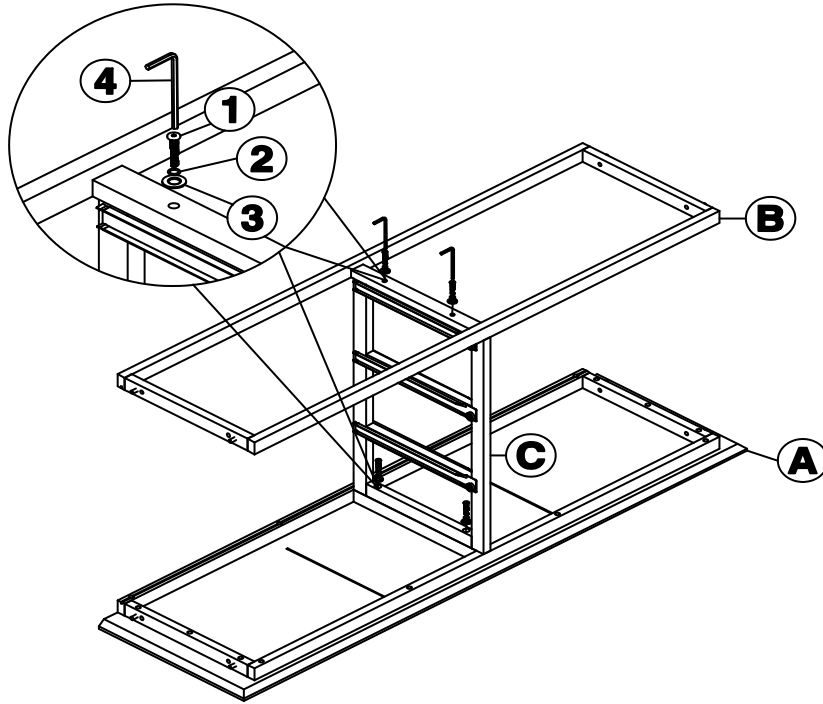
# HARDWARE LIST

When unpacking, please be careful not to discard any parts with the packaging. Before continuing, please make sure you have all of the following hardware:

NO	Description	Qty	Sketch	NO	Description	Qty	Sketch
1	Bolt (M6 x 30mm)	14		7	Wooden knob (Φ30 x 30mm)	12	
2	Spring washer (Φ6.5 x 11mm)	14		8	Medium screw (M4 x 30mm)	12	
3	Flat washer (Φ6.5 x 13mm)	14		9	Steel band	2	
4	Allen key (M4 x 30 x 120mm)	1		10	Warning label	6	<div style="border: 1px solid black; padding: 5px;"> <p style="text-align: center;"><b>WARNING!</b></p> <p style="text-align: center;">THIS ITEM IS PRONE TO TIPPING.</p> <p>USE ALL THE PROVIDED HARDWARE TO SECURE TO THE WALL DO NOT ALLOW CHILDREN TO CLIMB ON FURNITURE PLACE HEAVIEST OBJECTS IN LOWER DRAWERS DO NOT OPEN MORE THAN ONE DRAWER AT THE UNIT AT THE SAME TIME DO NOT PLACE TV ON THE TOP OF THE DRESSER OR DRAWER CABINET</p> </div>
5	Long screw (M4 x 35mm)	77		11	Short screw (M3 x 15mm)	4	
6	Pan head screw (M4 x 30mm)	12					

## STEP 1

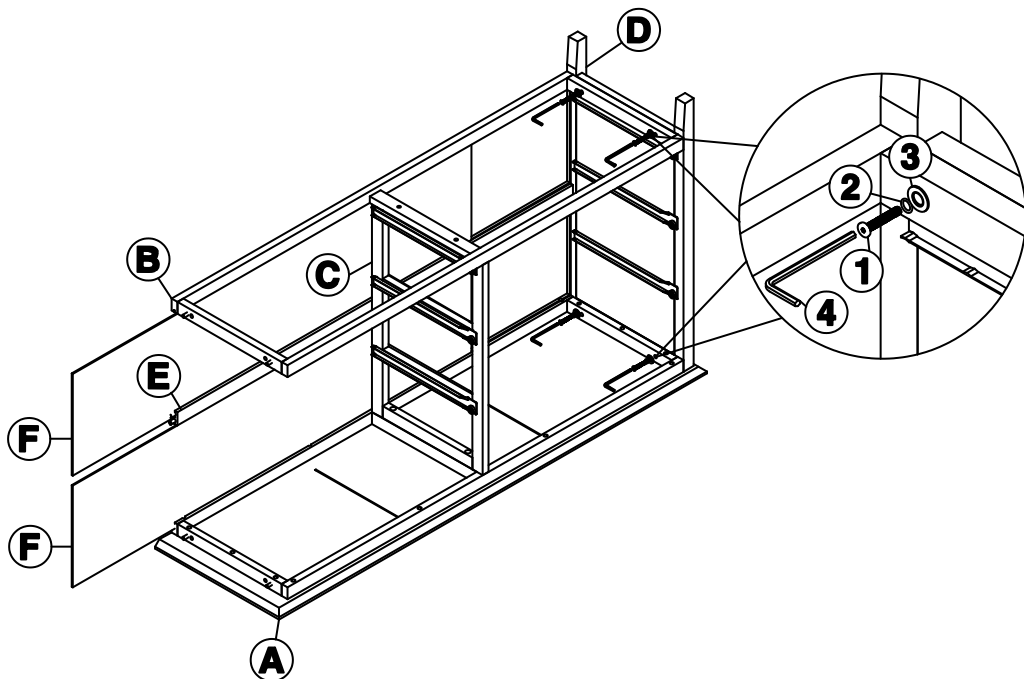
Attach the top (A) and bottom panel (B) to vertical panel (C) with bolts (1), and washers (2) and (3) as shown below. Tighten with Allen key (4).



## STEP 2

Attach the top (A) and bottom panel (B) to side panel (D) with bolts (1), and washers (2) and (3) as shown below. Tighten with Allen key (4).

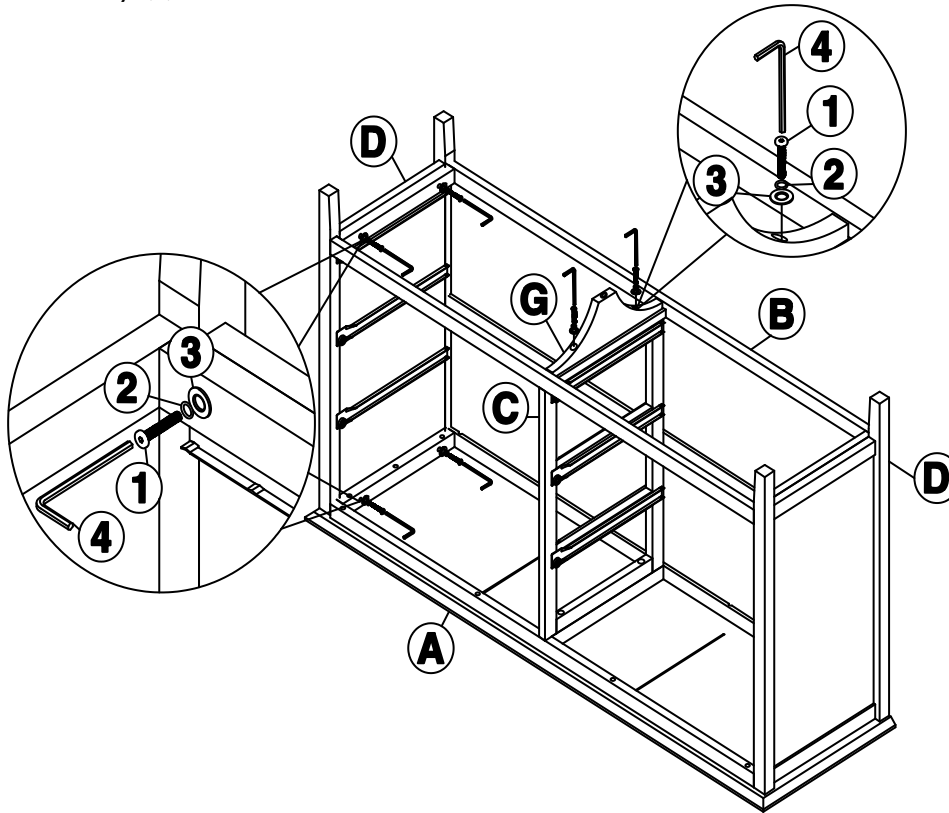
Slide back panels (F) and back rail (E) into the grooves as shown below.



## STEP 3

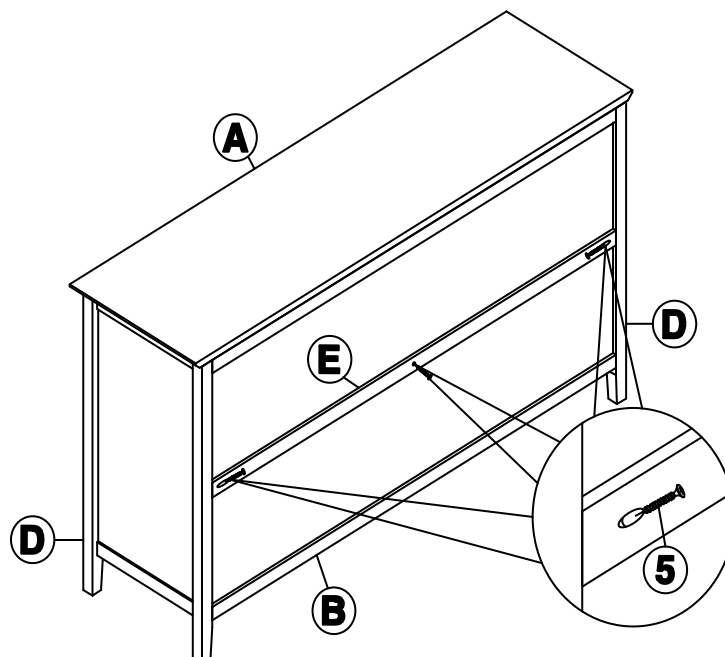
Attach the top (A) and bottom panel (B) to the other side panel (D) with bolts (1), and washers (2) and (3) as shown below. Tighten with Allen key (4).

Attach support leg (G) to vertical panel (C) with bolts (1), and washers (2) and (3) as shown below. Tighten with Allen key (4).



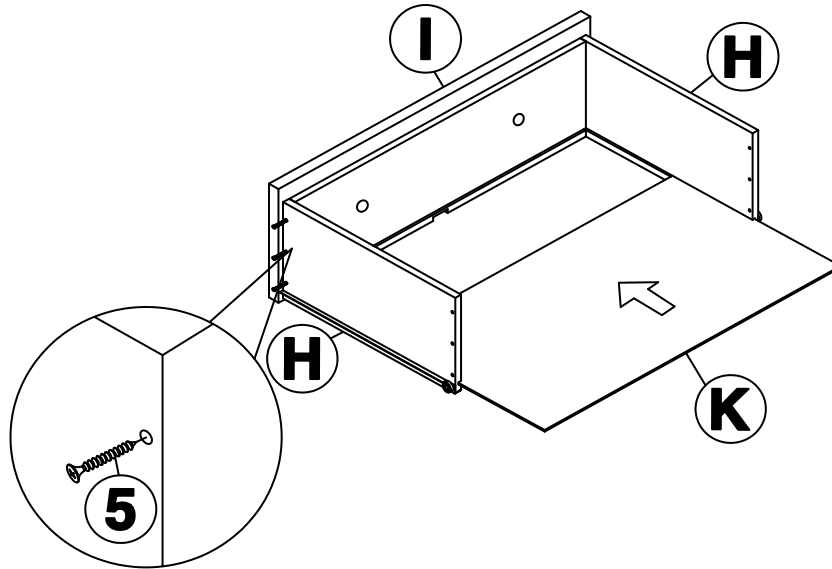
## STEP 4

Attach back rail (E) to the unit with screws (5) as shown below. Tighten with a screwdriver.



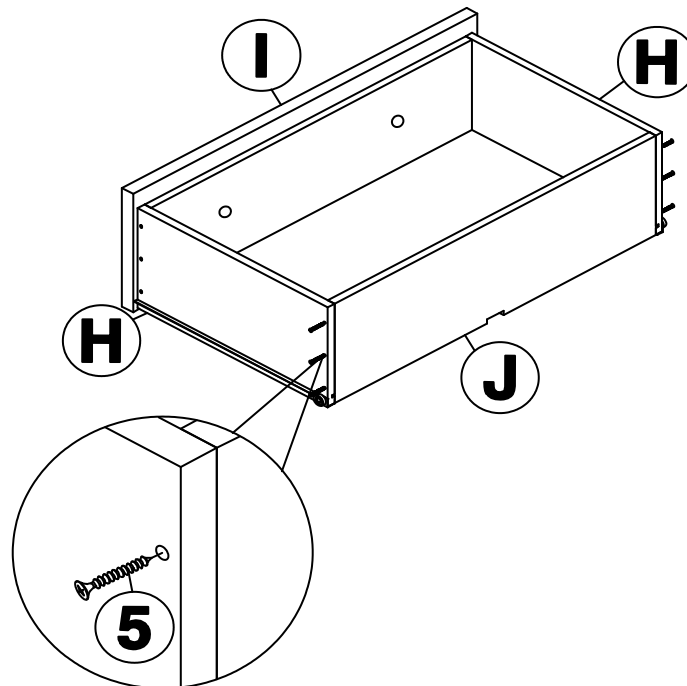
## STEP 5

Attach drawer sides (H) to drawer front (I) with screws (5) as shown below. Tighten with a screwdriver. Insert drawer bottom (K) into the grooves at bottom of drawer sides (H) and drawer front (I) as shown below.



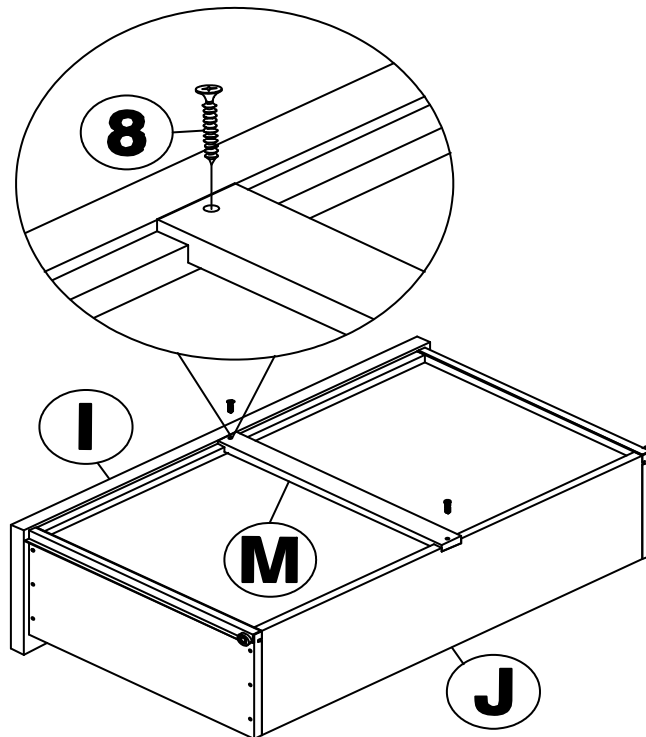
## STEP 6

Attach drawer back (J) to drawer sides (H) with screws (5) as shown below. Tighten with a screwdriver.



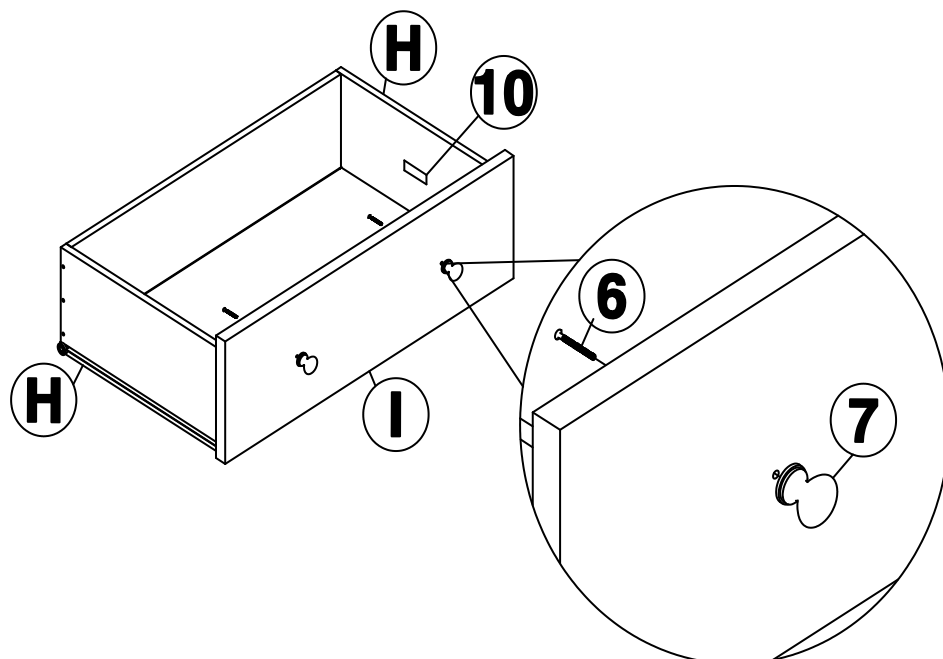
## STEP 7

Attach support bars (M) to bottom of drawers with screws (8) as shown below. Tighten with a screwdriver.



## STEP 8

Attach knobs (7) to front of drawers with screws (6) as shown below. Tighten with a screwdriver. Stick the warning labels (10) inside the drawers before use.





## STEP 9

Attach the steel bands (9) to the unit with short screws (11) and attach the steel bands to the wall with screws (5) as shown below (to secure the product and prevent tipping). Tighten with a screwdriver.

