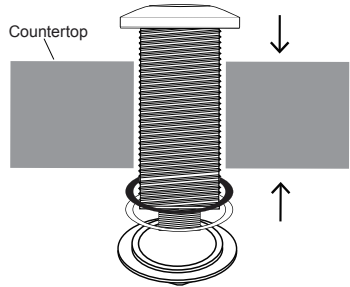
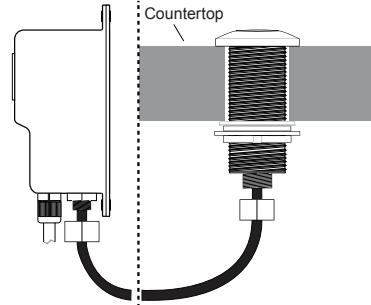


Installation

1. Remove gasket, metal washer, and both plastic nuts from switch body. Remove the small plastic nut from the air switch control box. Seat the switch body into the 1 ¼" hole. Thread the rubber gasket, then the metal washer, then the large plastic nut back onto the switch body and hand tighten.



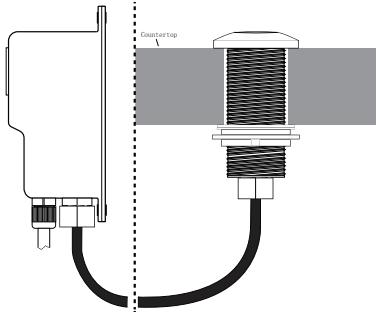
2. Push the ends of the air tubing through the small plastic nuts. Firmly press one end of the air tubing into the Air Switch, and the other into the Air switch control box.



3. Hand tighten both nuts to secure the air tubing.



Caution! Do not connect the power until then, otherwise the garbage handler may be turned on.



4. Plug the garbage disposal into the air switch control box. Plug the air switch control box into the wall outlet.



Caution! Garbage disposal may turn on. Keep garbage disposal area clear. If it turns on, push the air switch button to turn it off.



Air Switch Installation Instructions

Model: 41L32/42W011/42W012

- Installation requires 1 ¼" hole in countertop or sink
- Maximum countertop thickness: 2"
- For use with 120V AC only
- Do not allow air switch control box to be exposed to liquid or moisture

Questions, problems, missing parts?
call Akicon Customer Service 8 a.m.-6p.m. EST, Monday-Friday
Phone: +1(302)213 4406, Email: service@akiconshop.com
AKICONSHOP.COM