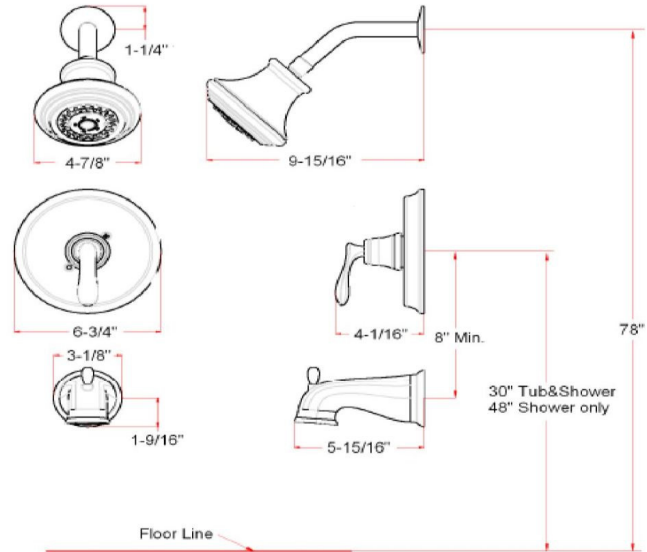


Madison Bath and Shower Trim with Valve

Oil Rubbed Bronze



SPECIFICATIONS

| | | | |
|------------------------|--------------------------|------------------------------|------------|
| MATERIAL: | Brass/ABS | WEIGHT: | 4.45 lbs. |
| HANDLE MATERIAL: | Zinc | PVD FINISH: | No |
| SPOUT MATERIAL: | N/A | ESCUTCHEON INCLUDED: | N/A |
| CARTRIDGE MATERIAL: | Ceramic | VALVE INCLUDED: | No |
| WATERWAY MATERIAL: | Brass | PRESSURE BALANCED VALVE: | Yes |
| VALVE MATERIAL: | Brass | TYPE OF SHOWER HEAD: | Wall Mount |
| DRAIN MATERIAL: | N/A | SHOWER HEAD FUNCTIONS (QTY): | 3 |
| FAUCET TYPE: | Bath & Shower Trim | SHOWER HEAD NOZZLE TYPE: | Raised |
| SPOUT REACH: | 4.96" | SHOWER HEAD SHAPE: | Round |
| FLOW RATE: | 1.8 GPM | SHOWER HEAD PUSH BUTTON: | No |
| LOW FLOW: | Yes | TUB SPOUT TYPE: | Threaded |
| HANDLES CONFIGURATION: | Single Handle | TUB SPOUT DIVERTER INCLUDED: | Yes |
| HANDLE REACH: | 2.94" | | |
| QUICK ATTACH INCLUDED: | No | | |
| DIMENSIONS: | 78" H x 9.9" L x 6.75" D | | |

| | |
|-------------------------|-------------------------|
| WARRANTY: | 5-Year limited warranty |
| UPC CERTIFICATION NAME: | cUPC |
| ANSI CERTIFICATION: | N/A |
| WATERSENSE: | Yes |
| ASME: | No |
| AB-1953 LEAD FREE: | No |
| ADA COMPLIANT: | Yes |



TYPE:
JOB:
ORDER CODE:
APPROVALS: