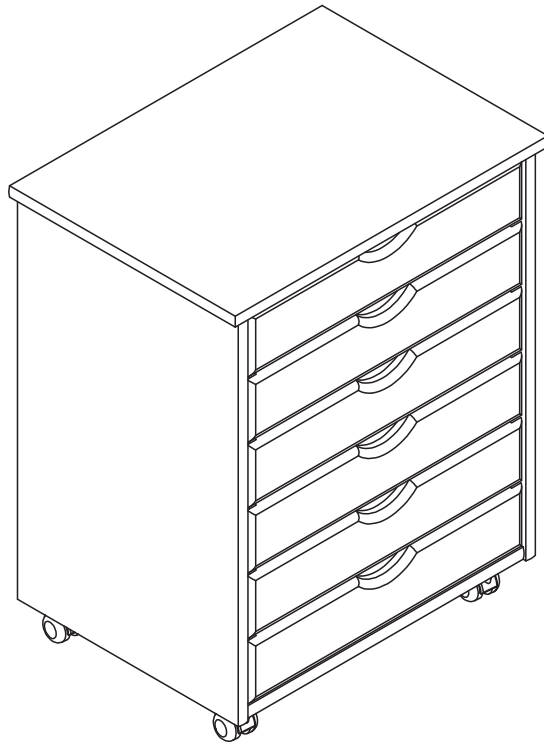


ADEPTUS[®]

ASSEMBLY INSTRUCTIONS

Six Drawer Wide Roll Cart

#76152 - Medium Pine Finish



CUSTOMER SERVICE AND REPLACEMENT PARTS:

FOR FASTER SERVICE ON PARTS OR HELP, PLEASE GO TO OUR WEBSITE AT WWW.ADEPTUS.COM;
OR CALL TOLL FREE 1.888.ADEPTUS (1.888.233.7887) FOR ASSEMBLY QUESTIONS.
MON-FRI 10 A.M. TO 4 P.M. E.S.T., CLOSED HOLIDAYS

IF YOU CALL, PLEASE HAVE ON HAND:

- PRODUCT NAME AND STOCK NUMBER
- WHEN AND WHERE THE UNIT WAS PURCHASED
- P.O. NUMBER FROM THE BOTTOM OF THIS PAGE

IF WE ARE BUSY HELPING OTHER CUSTOMERS, PLEASE LEAVE YOU NAME AND NUMBER
TO RECEIVE A RETURN CALL.

YOUR RETAILER MAY ALSO PROVIDE SERVICE OR PARTS.

HELPFUL OVERALL:

- SAVE THESE INSTRUCTION SHEETS AND THE BOX UNTIL YOU ARE SATISFIED WITH THE ASSEMBLY.
- DO NOT GLUE THE PARTS OF THE UNIT TOGETHER UNLESS YOU HAVE TESTED THE ASSEMBLY FIRST.
- PERFORM THE ASSEMBLY ON A CLEAN HARD SURFACE USING THE FLATTENED CARTON OR A TOWEL TO PROTECT THE SURFACE AND THE FINISH OF THE UNIT. DO NOT ASSEMBLE ON CARPET.

VISIT WWW.ADEPTUS.COM TO REGISTER YOUR PRODUCT AND SEE THE COMPLETE ADEPTUS LINE. REGISTRATION IS REQUIRED FOR PARTS REQUESTS.

THANK YOU FOR YOUR PURCHASE AND WELCOME TO ADEPTUS!

NOTICE: THE WRITTEN INSTRUCTIONS CONTAINED HEREIN ARE COPYRIGHTED.  copyright all rights reserved

Many People, One Thought

PROVIDING QUALITY SOLID WOOD FURNITURE AT AN AFFORDABLE PRICE HAS BEEN A GROUP EFFORT. FROM CONCEPT TO PRODUCT DESIGN, MANUFACTURING AND RETAILING, EACH AREA FOCUSES ON THE DETAILS THAT WILL ASSURE YOU A LOW PRICE. BUT NEVER AT THE EXPENSE OF FUNCTION, STYLING, OR GOOD SENSE.

A "READY - TO - ASSEMBLE" ITEM REDUCES TRANSPORTATION AND WAREHOUSING COSTS WHICH HELP YOUR RETAILER KEEP THEIR PRICES REASONABLE. NOW, YOU ARE JOINING "TEAM ADEPTUS" WITH THE FINAL STEP, ASSEMBLY.

• YOU ASSEMBLE, YOU SAVE •





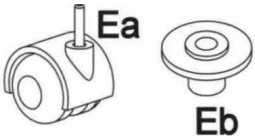
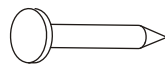
WELCOME TO ADEPTUS!

This is a **SOLID WOOD** product:

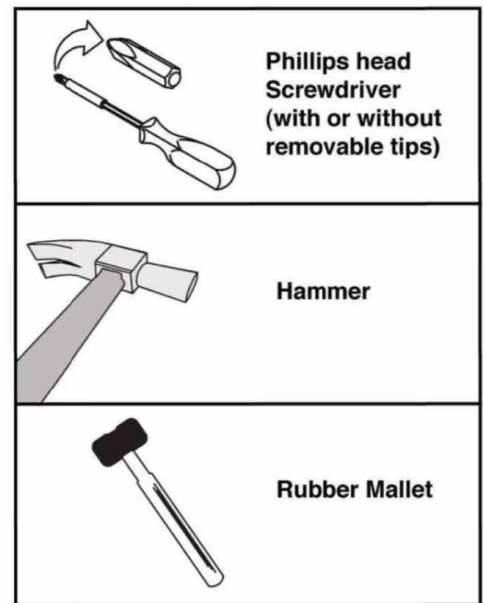
We inspect all wood, and follow guidelines to pass quality inspections. Solid wood furniture has knots, small cracks, and what may look like blemishes. These characteristics are a natural by product of producing furniture from natural material.

We take extra care with our drawer parts:

1. We use real wood drawers sides.
2. The drawer sides are not painted to help protect your clothes from chemical odors and residue.
3. Finely sanded drawer parts eliminate snags when storing your clothes.

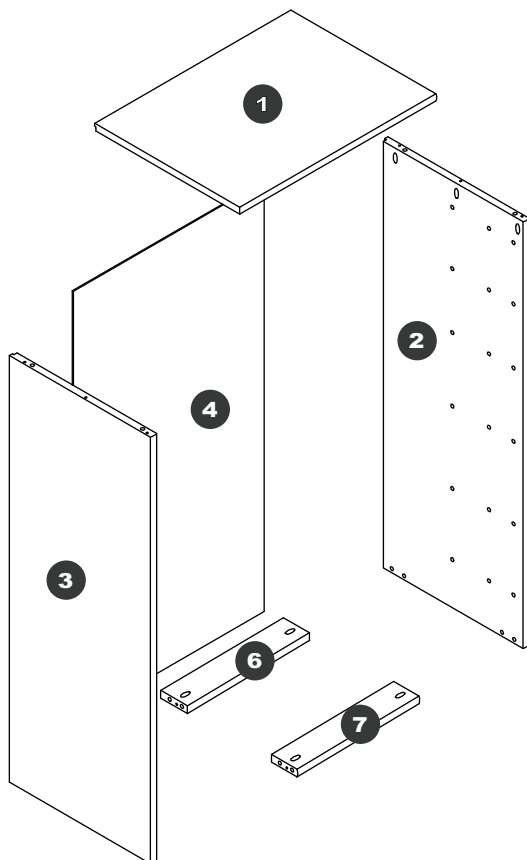
A		Dowel 8.0 x 30mm	12
B		Screw 3.0 x 25mm	48
C		Screw 4.0 x 30mm	10
D		Drawer Runner	12
E		(Ea) Caster and (Eb) Caster Insert Pair	04
D		Nail 1.5 x 19mm	28

These tools are not supplied by the manufacturer

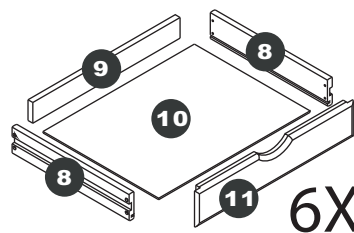


TIP: DOWELS (PART A) VARY EVER SO SLIGHTLY.
IF A DOWEL (PART A) IS LOOSE
WE PREFER YOU CALL OUR TOLL FREE NUMBER
FOR ADDITIONAL DOWELS -
VS GLUING THE DOWEL.

IF YOU CHOOSE TO GLUE THE PARTS,
COMPLETELY TEST THE ASSEMBLY FIRST.
WE DO NOT SUPPLY GLUE.



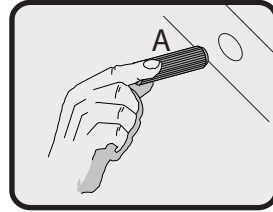
1	TOP
2	RIGHT SIDE
3	LEFT SIDE
4	BACK PANEL
6	BACK CASTOR SUPPORT
7	FRONT CASTOR SUPPORT
8	DRAWER SIDE
9	DRAWER BACK
10	DRAWER BOTTOM
11	DRAWER FRONT



1

PREPARE PARTS FOR ASSEMBLY

- PUSH THE DOWELS (PART A) INTO THE EDGES OF THE FOLLOWING PARTS, AS SHOWN:
 (PART 2) RIGHT SIDE
 (PART 3) LEFT SIDE
 (PART 6) BACK CASTOR SUPPORT
 (PART 7) FRONT CASTOR SUPPORT



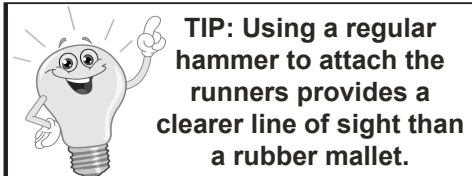
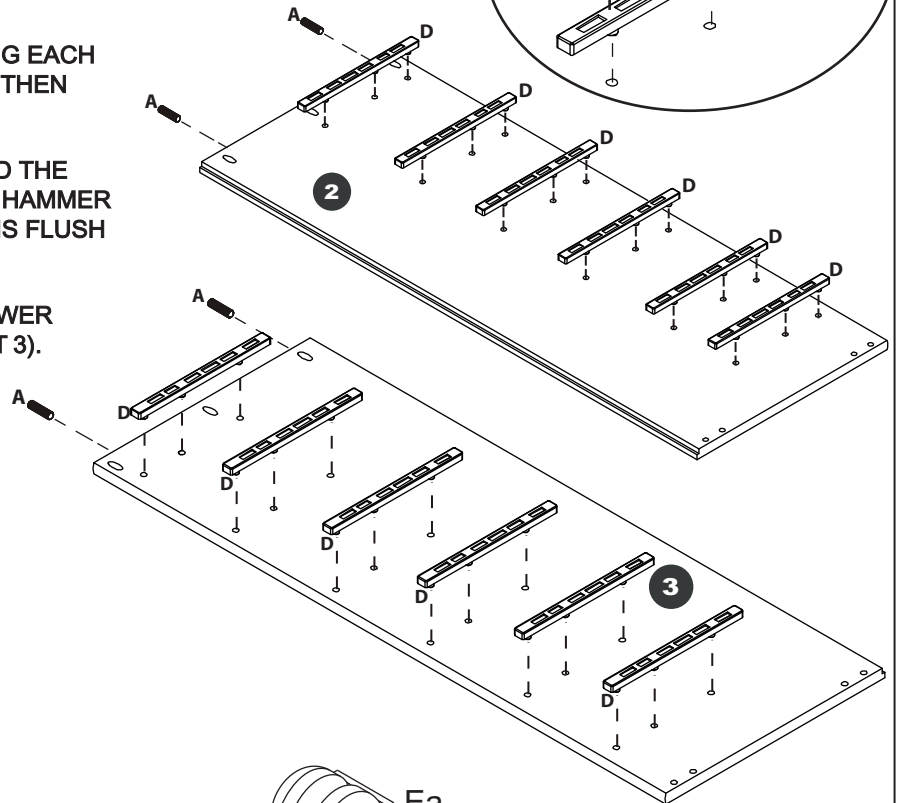
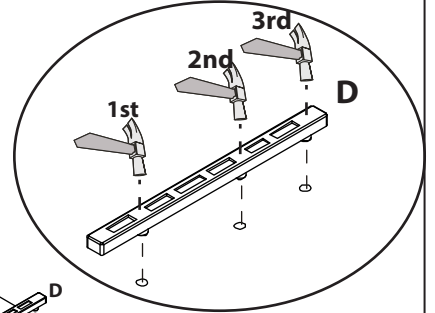
IMPORTANT

Perform the entire assembly on a clean, hard surface using the flattened box or a towel to protect the surface and the unit's finish. DO NOT assemble on carpet.

Carpet creates too much bounce making assembly difficult and could lead to damage of the parts.

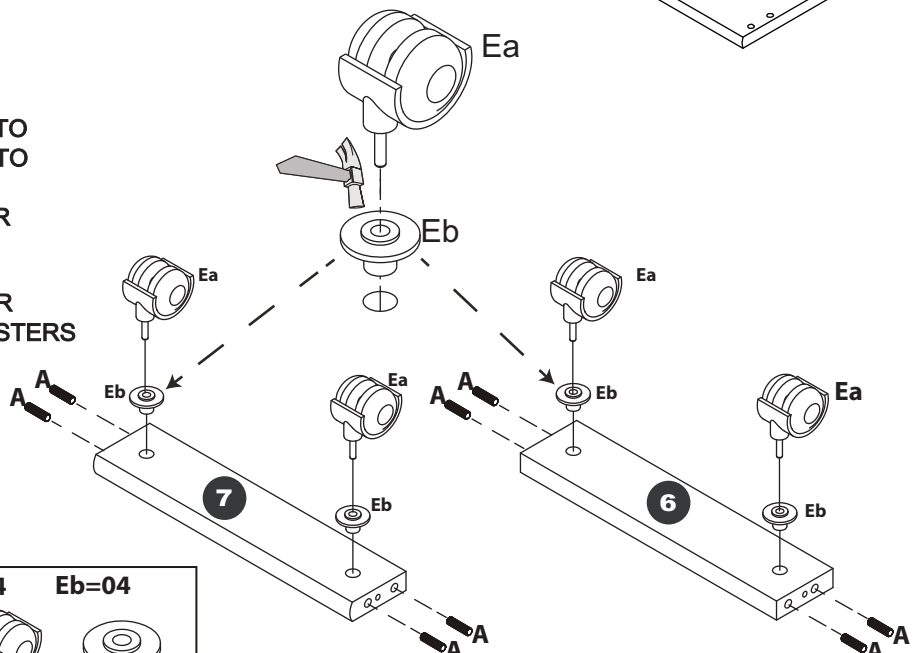
ATTACHING DRAWER RUNNERS:




- THE DRAWER RUNNERS (PART D) WILL STRETCH SLIGHTLY AS YOU HAMMER THEM INTO PLACE.
- LINE UP THE PIPS IN DRAWER RUNNERS (PART D) TO THE PRE-DRILLED HOLES IN THE RIGHT SIDE PANEL (PART 2).
- EASE THE PIPS INTO THE HOLES BY TAPPING EACH PIP DOWN HALF WAY. START ON ONE END, THEN THE MIDDLE, THEN THE OTHER END.
- WHEN ALL 3 PIPS ARE HALF WAY DOWN AND THE DRAWER RUNNER (PART D) IS STRETCHED, HAMMER THE RUNNER ALL THE WAY DOWN UNTIL IT IS FLUSH WITH THE RIGHT SIDE PANEL (PART 2).
- REPEAT THESE STEPS TO ATTACH THE DRAWER RUNNERS (PART D) TO THE LEFT SIDE (PART 3).



PREPARE CASTER SUPPORTS:

- USE A HAMMER OR RUBBER Mallet TO INSERT CASTER INSERT (PART Eb) INTO THE BOTTOM OF THE FRONT CASTER SUPPORT (PART 7) AND BACK CASTER SUPPORT (PART 6).
- TAP ABOVE THE BACK OF THE CASTER (ABOVE THE STEM) TO ASSEMBLE CASTERS (PART Ea) INTO THE CASTER INSERT (PART Eb).



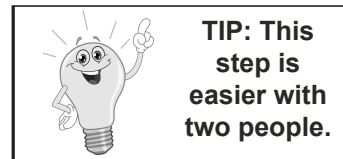
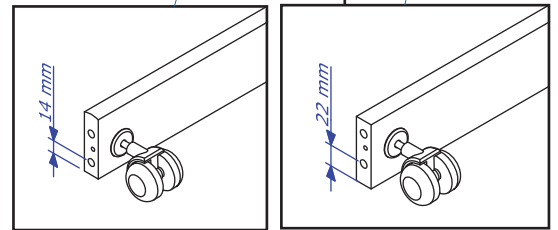
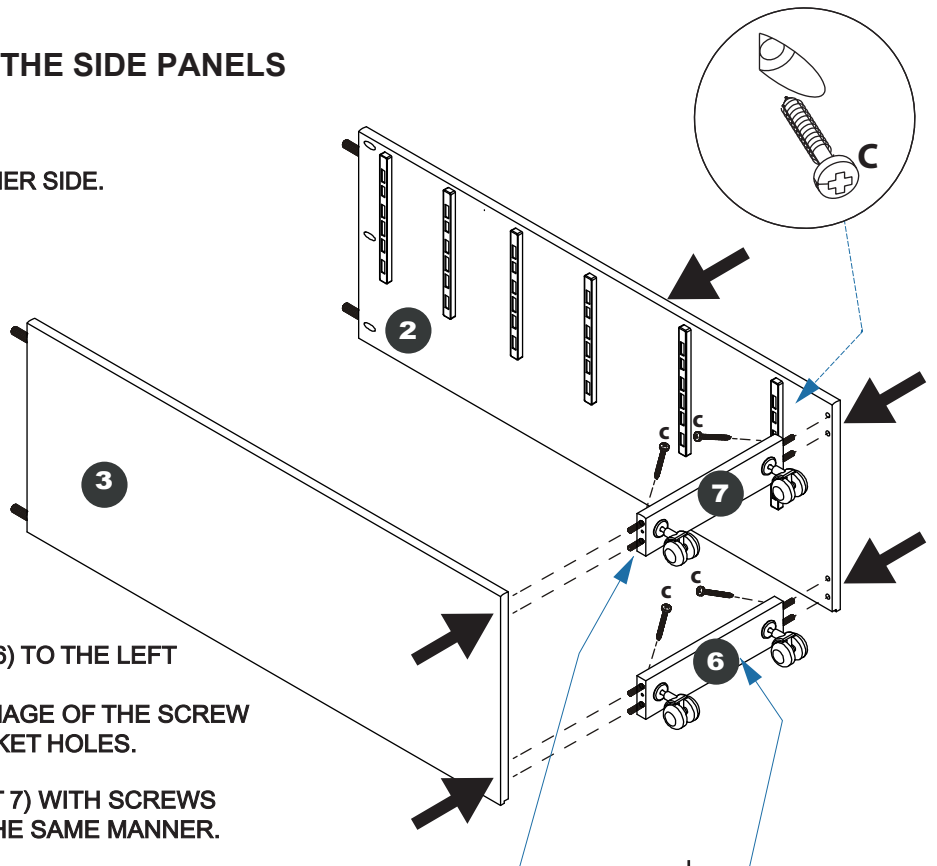
A=12  Dowel 8,0 x 30mm	D=12  Drawer runner	Ea=04 Eb=04  Caster and insert
---	---	---

2

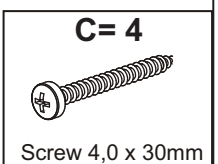
ATTACH CROSSBARS TO THE SIDE PANELS

ATTACH ONE SIDE FIRST AND THEN THE OTHER SIDE.

- DO NOT STAND LEFT SIDE (PART 3) UP ON THE EDGE YET. TO EASE ASSEMBLY, LAY SIDE FLAT ON THE FLOOR, RUNNER SIDE VISIBLE.
- MATCH UP BACK CASTER SUPPORT (PART 6) AND FRONT CASTER SUPPORT (PART 7) AT DOWEL HOLES LOCATED AT THE BOTTOM OF SIDE.
- PLEASE CHECK THAT THE DISTANCES MATCH TO THE SQUARE DIAGRAM.
- SECURE BACK CASTER SUPPORT (PART 6) TO THE LEFT SIDE (PART 3) USING SCREW (PART C). SEE THE ROUND DIAGRAM, A BLOW UP IMAGE OF THE SCREW POSITIONING THROUGH THE ANGLED POCKET HOLES.
- SECURE FRONT CASTER SUPPORT (PART 7) WITH SCREWS (PART C) TO THE LEFT SIDE (PART 3) IN THE SAME MANNER.
- CAREFULLY TURN LEFT SIDE (PART 3) TO ITS BACK EDGE, AS SHOWN IN THE DIAGRAM.
- POSITION RIGHT SIDE (PART 2) TO LINE UP THE CROSSBARS (PART 6 AND 7) AT THE DOWEL HOLES AT BASE OF THE RIGHT SIDE (PART 2).
- SECURE CASTER SUPPORTS (PART 6 AND 7) TO RIGHT SIDE (PART 2) USING SCREW (PART C) AND SHOWN IN THE DIAGRAM. TIP: HAND TIGHTEN FOR THE BEST FIT.



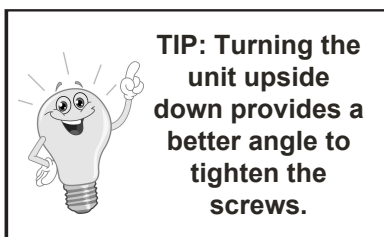
TIP: This step is easier with two people.



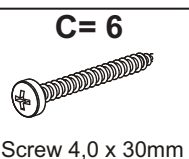
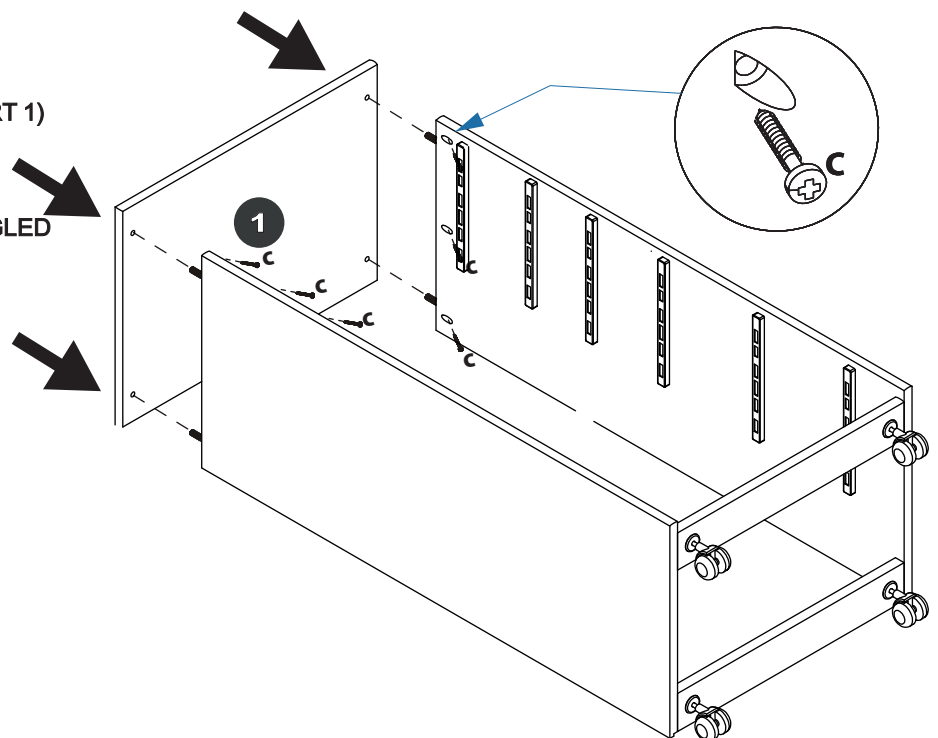
3

ATTACH THE TOP

- LINE UP THE DOWEL HOLES IN TOP (PART 1) WITH DOWELS THE IN UNIT'S SIDES.
- SEE ROUND DIAGRAM: SLIDE (PART C) SCREWS THROUGH ANGLED POCKET HOLES. AND HAND TIGHTEN FOR BEST FIT.



TIP: Turning the unit upside down provides a better angle to tighten the screws.

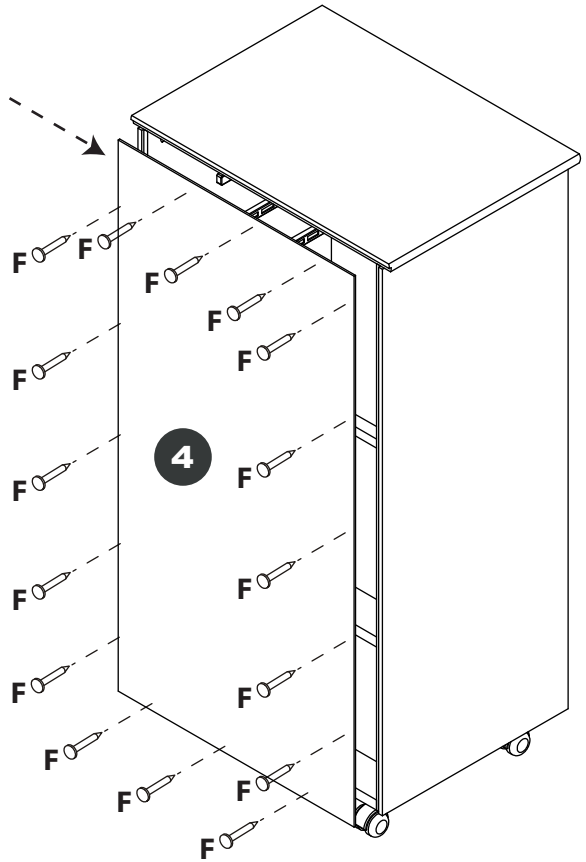
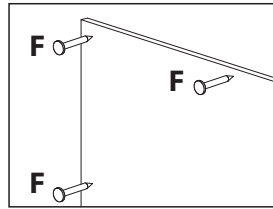


4

ATTACH THE BACK PANEL



Use all back panels nails. Evenly spaced, they help make the unit strong.



- HOLD THE (PART 4) BACK PANEL IN THE GROOVES INSIDE THE UNIT'S SIDES.
- ALSO MAKE SURE THE BACK PANEL FITS IN THE GROOVE AT THE BACK OF THE TOP.
- CHECK THAT THE UNIT IS SQUARE.
- SECURE THE (PART 4) BACK PANEL USING THE (PART F) NAILS.

F=16



Nail

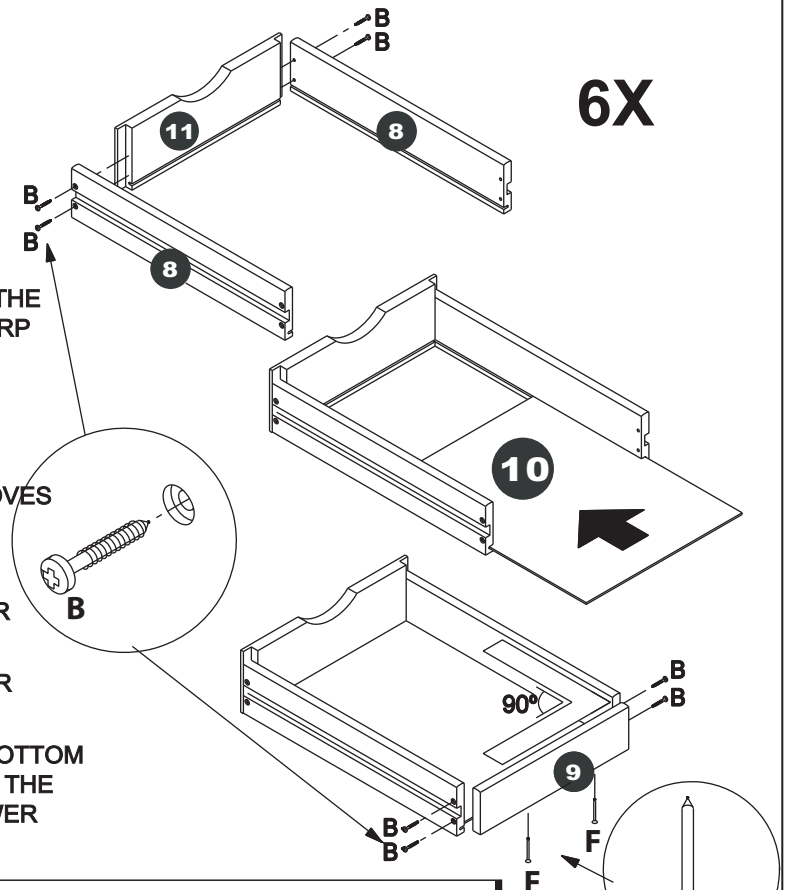
5

ASSEMBLE THE DRAWERS

- LINE UP THE BOTTOM EDGE OF THE DRAWER SIDE (PART 8) WITH THE BOTTOM EDGE OF THE DRAWER FRONT (PART 11).
- JOIN THE PARTS USING TWO SCREWS (PART B) AS SHOWN IN THE DIAGRAM.

NOTE: THE SCREWS' SHARP TIPS ARE SELF TAPPING, SO THE DRAWER FRONT DOES NOT NEED A PILOT HOLE. THE SHARP TIP STARTS THE HOLE, AND THE SCREW THREADS WILL SECURE THE PART IN PLACE FOR A TIGHT FIT.

- REPEAT ON THE OTHER SIDE OF THE DRAWER.
- SLIDE IN DRAWER BOTTOM (PART 10) TROUGH GROOVES IN THE DRAWER SIDES (PART 8). THIS WILL START SQUARING UP THE DRAWER.
- LINE UP DRAWER BACK (PART 9) WITH BOTH DRAWER SIDES (PART 8). CHECK THAT IT IS SQUARE.
- SCREW THE DRAWER BACK (PART 9) TO THE DRAWER SIDES (PART 8).
- TURN THE DRAWER OVER. CONFIRM THE DRAWER BOTTOM (PART 10) COVERS THE DRAWER BACK (PART 9). NAIL THE DRAWER BOTTOM (PART 10) THROUGH TO THE DRAWER BACK (PART 9) USING (2) NAILS (PART F).



B=48

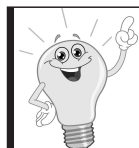


Screw
3,0 x 25mm

F=12



Nail



TIP: To make this step easier, place the drawer upside down on a counter with the drawer front hanging off the edge. This will allow the drawer box to lay flat and provide better control for hammering the nails.

6

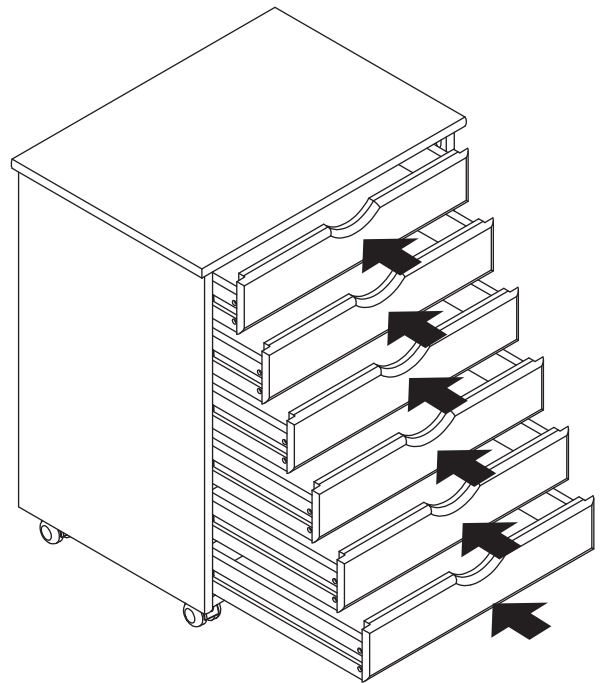
INSERT DRAWERS AND COMPLETE ASSEMBLY

- THE DRAWER SIDES (PART 8) HAVE A CHANNEL THROUGH THE MIDDLE OF THE PART. THIS CHANNEL SLIDES OVER THE DRAWER RUNNERS (PART D).
- SLIDE ALL DRAWERS IN. AND CHECK THE DRAWERS RUN SMOOTH. ONE DRAWER FRONT SHOULD NOT OVERLAP ANOTHER DRAWER FRONT EDGE.

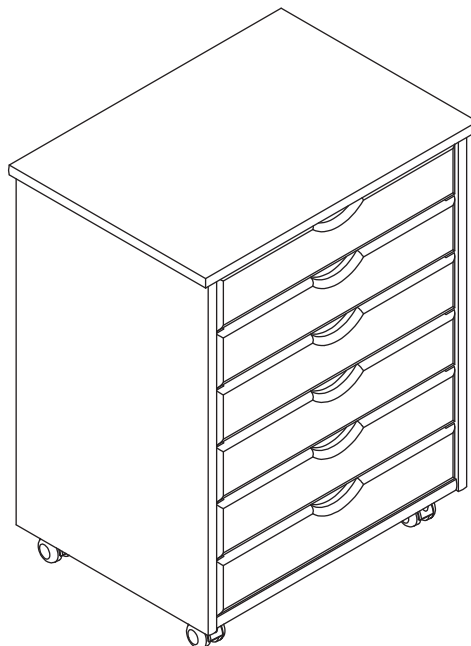
IF THERE IS A PROBLEM, IT IS LIKELY THE DRAWER FRONT IS NOT ASSEMBLED LEVEL. SIMPLY BACK OUT ONE SET OF THE SCREWS ON A DRAWER SIDE (PART 8) AND ADJUST UNTIL IT IS TO YOUR SATISFACTION.

(REMEMBER TO LINE THE BOTTOM EDGES OF THE DRAWER SIDE (PART 8) AND DRAWER FRONT (PART 11) UP.)

- STEP BACK TO LOOK AT THE UNIT. YOU MAY PREFER TO MOVE ONE DRAWER TO ANOTHER'S POSITION.



**COMPLETED ASSEMBLY:
THANK YOU FOR YOUR PURCHASE, AND WELCOME TO ADEPTUS!**



USE AND CARE INSTRUCTIONS:

CARE INSTRUCTIONS:

- NORMAL USE: WIPE WITH A CLEAN CLOTH.
- OR WHEN NEEDED TO CLEAN SCUFFS: WIPE CLEAN WITH A SLIGHTLY DAMP CLOTH AND A MILD CLEANER. THEN WIPE DRY WITH A CLEAN CLOTH.
- IF YOU OIL OF WAX THIS FURNITURE, IT WILL MORE QUICKLY DEVELOP A PATINA AND DARKEN

USE:

MULTI-PURPOSE MOBILE STORAGE UNIT FOR HOME, OFFICE, CRAFT ROOM, KITCHEN, OR GARAGE.