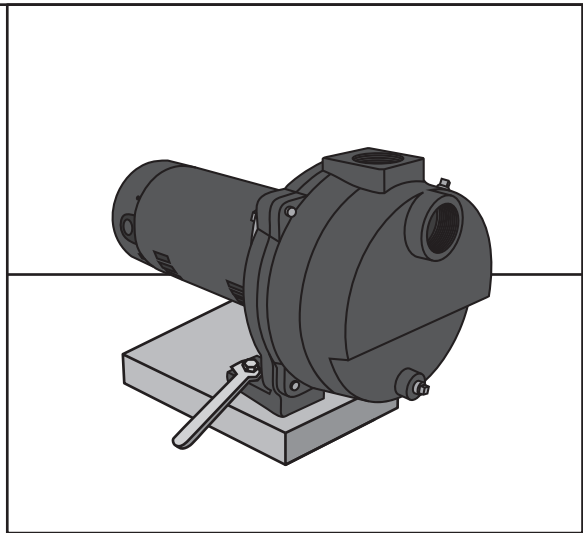




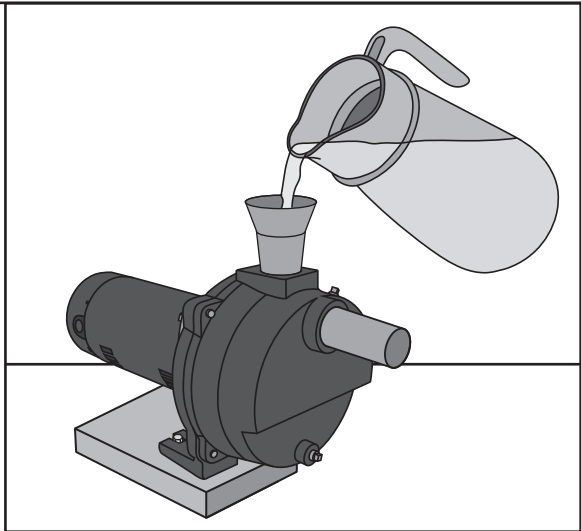
# Irrigation Pump

## Quick Reference Guide

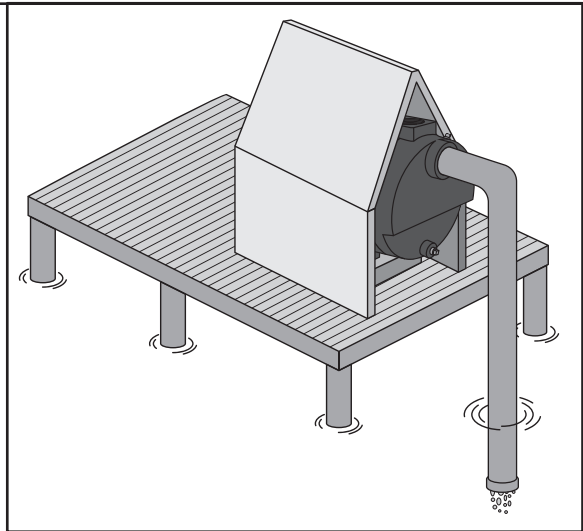
See instruction manual for complete instructional details.



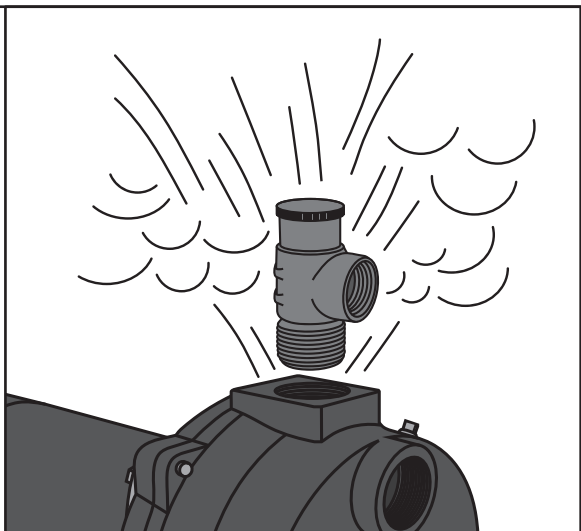
1. Bolt the pump to a solid level foundation



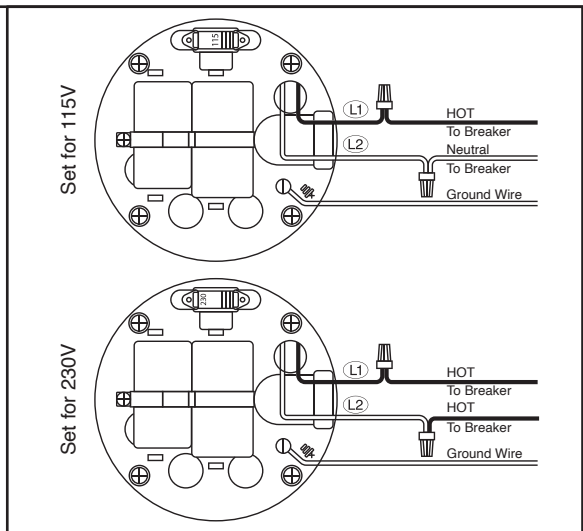
2. Priming-Remove the priming plug, making sure the suction and discharge valves and hoses are open. Fill the pump and suction pipe with water, then replace the priming plug. See installation manual for details.



3. During installation be sure all pipe joints of the suction pipe are tight and not leaking. Leaking will prohibit the pump from pulling water from the source. Support all piping connected to the pump inlet and discharge. See installation manual for full installation instructions.



4. Be sure to install a pressure relief valve in the discharge piping to prevent hazardous pressures.



5. Wiring-Motors are designed to run a 115 volt or 230 volt, Be sure the motor voltage matches that of the power supply. See installation manual for details