



# HALOGEN INFRARED HEATERS



**Model Number: 9711001 (Black)**

## **ASSEMBLY & OPERATING INSTRUCTIONS**

Please read carefully and save these instructions

## Warning

**THESE INSTRUCTIONS SHOULD BE READ CAREFULLY AND RETAINED FOR FUTURE REFERENCE.**

The supplier will not be liable for any damages caused by failure to follow these instructions.

## IMPORTANT SAFETY INSTRUCTIONS

PLEASE READ CAREFULLY - The infrared heater is designed for safe operation. Nevertheless, installation, maintenance and operation of the heater can be dangerous. Observing the following procedures will keep installation time to a minimum and reduce the risk of fire, electric shock, injury to persons. Save these instructions for future use.

1. Read all instructions before using this heater. The manufacturer will not be liable for any damage caused by noncompliance with these instructions or any other improper use or mishandling.
2. Use this heater only as described in this manual. Any use not recommended by the manufacturer may cause fire, electric shock, or injury to persons.
3. Remove the unit from its packaging and check to make sure it is in good condition before using. **Do not let children play with any of the parts or packaging, including plastic bags.**
4. Check your household voltage to ensure it matches the heater's rated specifications.
5. Check the power cord and plug carefully before use to make sure that they are not damaged in any way.
6. Connect to properly grounded outlets only. Always plug heaters directly into a wall outlet/receptacle. Never use with an extension cord or power strip.
7. Do not allow cord to overhang a counter top or other area where it can be easily pulled by children or pets.
8. Do not run cord under carpeting. Do not cover cord with throw rugs, runners, or similar coverings. Do not route cord under furniture or appliances. Arrange cord away from traffic areas and only place it where it will not be tripped over.
9. To disconnect the heater, turn the controls to off; then remove the plug from outlet.
10. Whenever operating or handling the unit, be sure your hands are dry to prevent electric shock.
11. To prevent overheating of this appliance, keep the air inlets and outlets clean and free of anything that may cause blockage. Check all inlets and outlets from time to time to ensure it is clear of any dirt or dust accumulation. **DO NOT COVER THIS UNIT.**
12. Do not insert or allow foreign objects to enter any ventilation or exhaust opening, as this may cause an electric shock, fire or damage to the heater. Do not put fingers or foreign objects into the grill while in operation.
13. This heater is very hot when in use. Keep combustible materials, such as furniture, pillows, bedding, paper, clothes, and curtains at least 3 feet (1m) from the front sides and rear of the heater.
14. A heater has hot and arcing or sparking parts inside. Do not use it in areas where gasoline, paint, or flammable liquids are used or stored.
15. Parts of the heater may exceed 392°F (200°C). Contact with the heating tube, reflector, or metal parts near the heating tube, may cause severe BURNS. To avoid burns, do not let bare skin touch any hot surface. If provided, use handles when moving this heater.

16. ALWAYS allow heating element to cool at least 10 minutes before touching any part of the heater.
17. Do not use near or in the immediate vicinity of a bath or swimming pool or any source of water. Never immerse unit, cord or plug in water or any other liquid.
18. This heater is not intended for use in bathrooms, laundry rooms and similar indoor locations; never locate the heater where it may fall into a bathtub, sink or other water container.
19. Do not leave the appliance unattended when in use. Always unplug the heater when not in use.
20. Use extreme caution when any heater is used by or near children or people with reduced physical, sensory or mental capabilities. This appliance is not intended for use by children or people with reduced physical, sensory or mental capabilities or lack of experience and knowledge. Children and vulnerable people should be supervised to ensure they do not misuse or play with the appliance.
21. Do not operate any heater with a damaged cord or plug or after the heater malfunctions, or has been dropped or damaged in any manner. Disconnect power at service panel and have the heater inspected by a licensed electrician before reusing. If the supply cord is damaged in any way, it must be replaced by the manufacturer or its service agent or a similarly qualified person in order to avoid a hazard.
22. Please recycle. This product contains recyclable materials. Do not dispose this product as municipal waste. Please contact your local municipality for the nearest collection point.

## **SAVE THESE INSTRUCTIONS**

### **INTRODUCTION**

These carbon infrared heaters produce instant and comfortable heat like the sun. These heaters are designed for domestic heating applications.

Specification	Value
Voltage	120 V
Wattage	1500 W
Hertz	50-60 Hz
Dimensions W×H×D	18.1×7.5×3.0 inches
Weight	2.7 lbs

## INSTALLATION

### Tools required (not provided):

- Pencil
- Hammer
- Level
- Screw Driver
- Power Drill and drill bits

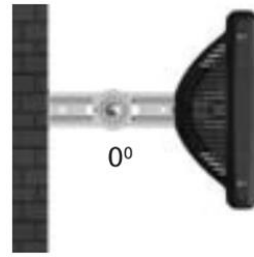
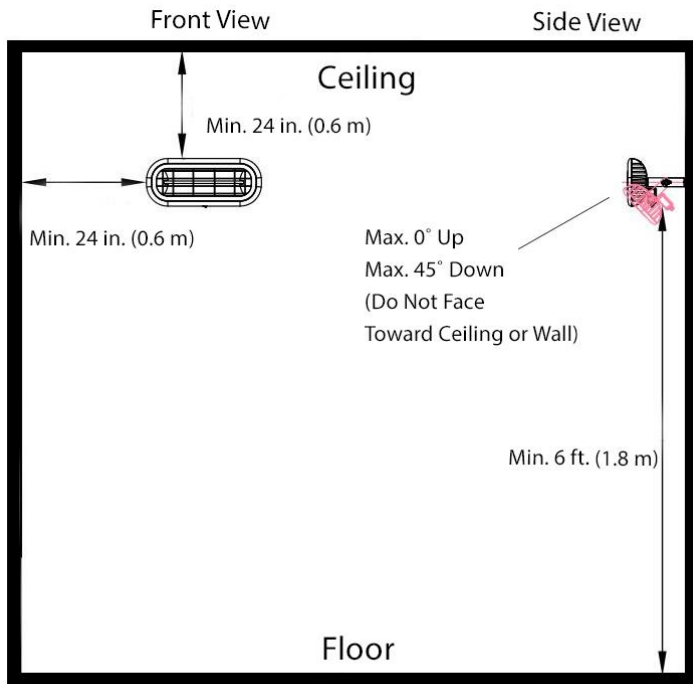
A wall/ceiling mounting bracket is provided with the heater which has been specifically designed to allow this product to be fitted to a wall or ceiling. Before drilling the holders, confirm that the wall is solid and that there are no hidden water pipes or electric wires.

**CAUTION!** The appliance must be installed on a solid surface. Do not install on flammable wall coverings or on surfaces that can be discolored or damaged when subject to heat.

**Important:** Ensure that the supply cable does not come into contact with reflector or hot surfaces. The supply cable can be fixed to the metal mounting bracket behind heater with plastic zip ties.

1. This heater should only be installed by a competent person. It is advised to use a qualified electrician.
2. **Always disconnect the heater from the electricity supply and allow it to cool before handling or installing. Do not install the heater on a flammable surface.**
3. For ceiling mounting, the lowest part of the heater must be located at or above a minimum height of 8 ft. from ground level, so that the heater cannot be touched when in operation.
4. For wall mounting, the lowest part of the heater must be located at or above a minimum height of 6 ft. from ground level.
5. For both wall and ceiling mounting, there must be a distance of 24" between the heater and any adjacent walls or corners.
6. For safe operation, the heater must be installed or placed a minimum of 3 ft. from people and activities and from materials such as wood, carton, cloth and other flammables.
7. Always keep the supply cord away from the body of the heater which will get hot during use.
8. If the heater is installed vertically or at an angle, insure that the electrical cable is at the lower end of the heater.
9. Before drilling, ensure that there are no wires or water pipes in the area where the heater is to be installed.
10. The heater must be installed on the mounting brackets provided. Fasten the brackets securely to the mounting surface and then to the backside of the heater using the nuts and screws supplied.
11. A weatherproof outlet with proper GFCI protection is required if the heater is ever used outside or near water or any water source.
12. Adjust the heater angle by loosening the two bolts on the wall mounting bracket, and tighten the bolts again when the desired angle is achieved.
13. When mounted to a wall or a ceiling, do not position the heater at an angle more than 0° (straight) or 45° (angled). Never allow the unit to point directly at a wall surface or to point back toward the heater brackets.

**Wall Installation:**

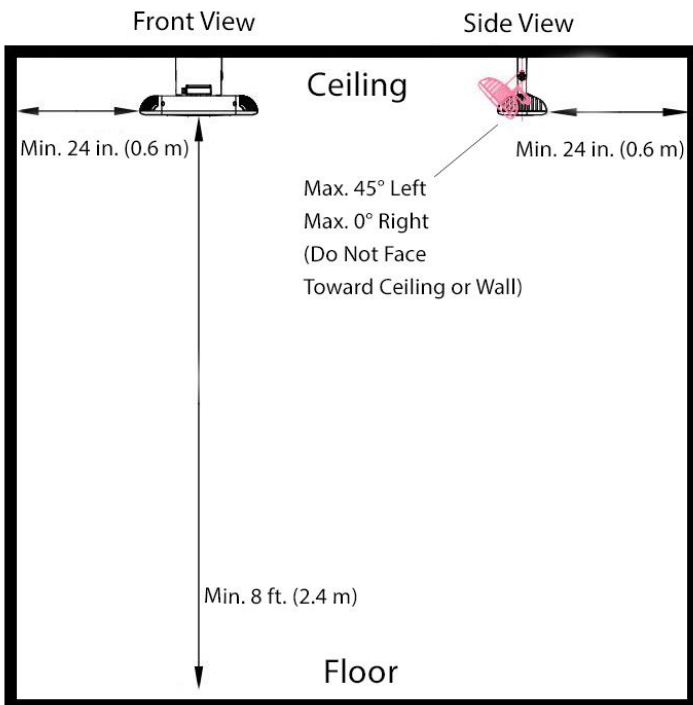


Maximum Angle



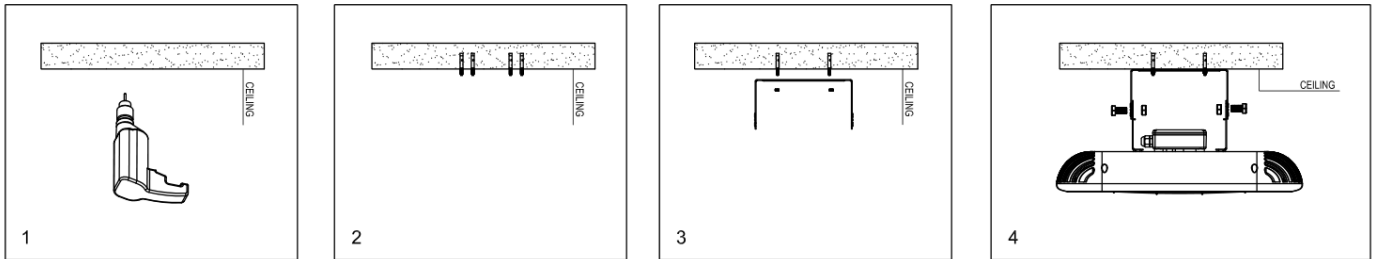
Minimum Angle

**Ceiling Installation:**



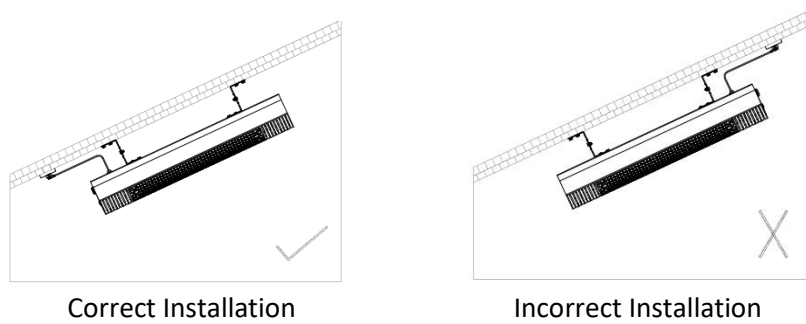
### Wall / Ceiling Installation:

To install the plastic anchors into the wall, use a drill to place a hole in the wall. Using the hammer, tap the plastic anchor into the wall until it is flush.



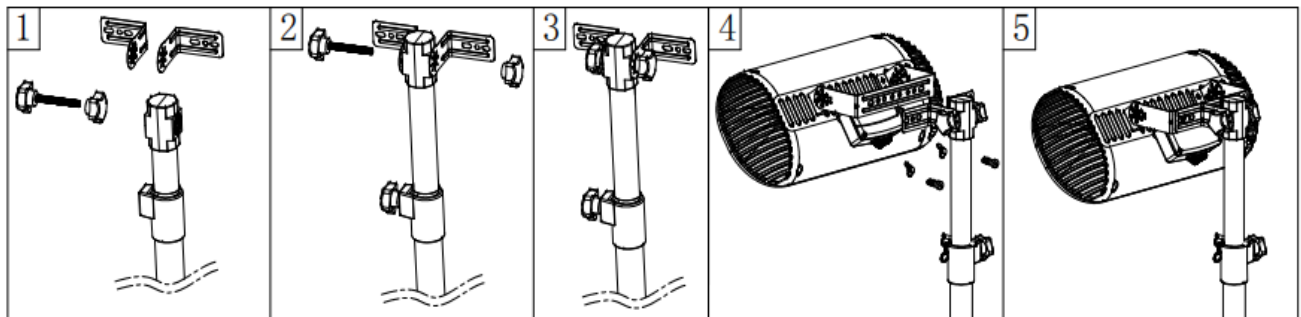
### Cord Positioning:

The cord side of the heater should face downward when installed vertically or on an incline.



### Tripod / Pole Installation:

To install heater to the tripod or pole use the L bracket and screws for the directions below.



### TROUBLESHOOTING:

The heater contains no user-serviceable parts. Troubleshooting is limited to checking the power source:

1. Check if the unit is turned on.
2. Check if the power cord is plugged into a properly-grounded electrical outlet.
3. Check if the electrical outlet's circuit breaker/fuse is on and working

## MAINTENANCE:

Periodic inspection and removal of dirt and contaminants will ensure that the heater can be operated safely. Always perform maintenance and cleaning before operating the heater if it has not been used in a long period of time.

1. Check the Reflector and IR-Filament at least once a month for dirt and dust. If cleaning is necessary, follow the cleaning and maintenance instructions.
2. Inspect more frequently if the environment is prone to unusual amounts of dirt or dust.
3. Visually inspect the heater, power cord and plug for any damage or wear at least once per month. If damaged or worn, consult with a technical service.

**Note:** Proper and regular maintenance is easy and important for the long and efficient operation of your heater.

## CLEANING:

Regular and careful cleaning helps your infrared heater operate efficiently for many trouble-free years. To clean your heater, follow the steps below:

1. Unplug the power cord for your safety before cleaning your appliance.
2. Make sure the heater is cool before continuing.
3. Clean the outer shell with a soft, damp cloth. You may use a mild detergent if necessary. After cleaning, dry the unit with a soft cloth.

**CAUTION: DO NOT let liquids enter the heater.**

4. DO NOT use alcohol, gasoline, abrasive powders, furniture polish or rough brushes to clean the heater. This may cause damage or deterioration to the surface of the heater.
5. Use an air blower to remove any loose dust, dirt or debris from the unit.
6. DO NOT immerse the heater in water
7. Wait until the heater is completely dry before use.

Storage: Store the heater in a cool, dry location when not in use to prevent dust and dirt build up. Use the original carton or other clean container to store.

## CAUTION:

1. Always disconnect the heater from the electrical supply and allow it to cool before attempting to work on it.
2. If the heater has collected dust or dirt inside the unit or around the heating element, have the unit cleaned by a qualified service agent. Do not operate the heater in this condition.
3. The only maintenance required is cleaning of the external surfaces of the heater.
4. Do not touch the heating element with bare fingers, as residue from your hand could affect the life of the lamp. If it is accidentally touched, remove the finger marks with a soft cloth moistened with mentholated spirit or alcohol.
5. The heater contains no user-serviceable parts. If the product is damaged or otherwise malfunctioning, it must be returned to the manufacturer or its service agent or it must be properly disposed of. **Do not attempt to repair or adjust any electrical or mechanical functions on this heater.**
6. Damaged supply cords must be replaced by a service agent or similarly qualified person in order to avoid hazard.

## RECYCLING:

At the end of the electrical products useful life it should not be disposed of with household waste.

Please recycle where facilities exist. Check with your Local Authority or retailer for recycling advice in your area.