

# LEGEND FORCE™

Item #LF22173ST  
Model #1005697755

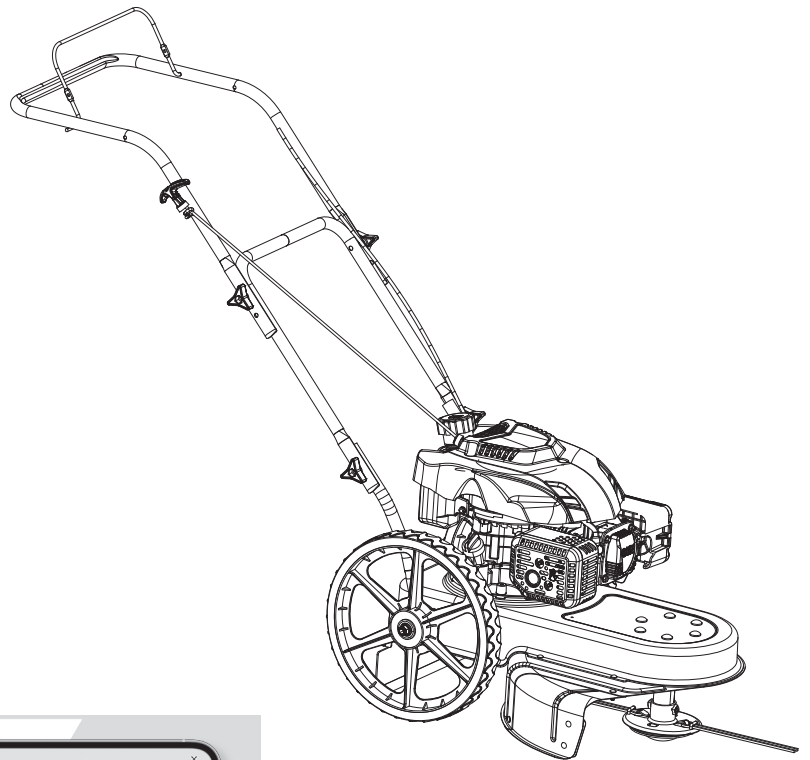
## USE AND CARE GUIDE

### 22 INCH WALK-BEHIND STRING TRIMMER

Questions, problems, missing parts?  
Before returning to the store, call  
Customer Service  
8 a.m. - 7 p.m., EST, Monday - Friday  
9 a.m. - 6 p.m., EST, Saturday

1-877-527-0313

HOMEDEPOT.COM

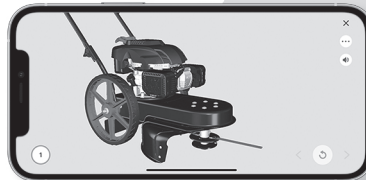


BEFORE YOU BEGIN



Scan for easy 3D instructions

Download the BILT app before you begin



#### THANK YOU

*We appreciate the trust and confidence you have placed in Legend Force through the purchase of this trimmer. We strive to continually create quality products designed to enhance your home. Visit us online to see our full line of products available for your home improvement needs. Thank you for choosing Legend Force!*

# Table of Contents

Safety Information .....	2
Warranty .....	6
What Is Covered .....	6
What Is Not Covered .....	6
Pre-Assembly .....	8
Planning Assembly .....	8
Tools Required .....	8
Hardware Included .....	8
Package Contents .....	8

Assembly .....	9
Operation .....	11
Maintenance .....	15
Care and Cleaning .....	16
Troubleshooting .....	17
Service Parts .....	18

## Safety Information

### GENERAL SAFETY

Read this operator's manual carefully in its entirety before attempting to assemble this machine. Read, understand, and follow all instructions on the machine and in the manual(s) before operation. Keep this manual in a safe place for future and regular reference and for ordering replacement parts.

- Be completely familiar with the controls and the proper use of this machine before operating it.
- This machine is a precision piece of power equipment. Therefore, exercise extreme caution at all times. This machine has been designed to perform one job: to cut vegetation and grass. Do not use it for any other purpose.
- Never allow children to operate this machine.
- Only responsible individuals who are familiar with these rules of safe operation should be allowed to use this machine.
- Thoroughly inspect the area where the equipment is to be used. Remove all stones, sticks, wire, bones, toys and other foreign objects, which could be tripped over or picked up and thrown by the string trimmer. Thrown objects can cause serious personal injury.
- Plan your trimming pattern to avoid discharge of material toward roads, sidewalks, bystanders and the like. Also, avoid discharging material against a wall or obstruction, which may cause discharged material to ricochet back toward the operator.



**DANGER:** Indicates an imminently hazardous situation which, if not avoided, will result in death or serious injury.



**WARNING:** Indicates a potentially hazardous situation which, if not avoided, could result in death or serious injury.



**CAUTION:** Indicates a potentially hazardous situation which, if not avoided, may result in minor or moderate injury.



**IMPORTANT:** Indicates operation or maintenance information which is important but not hazard-related.

**NOTICE:** Indicates a practice not related to personal injury which, if not avoided, may result in property damage.

- To help avoid trimmer line contact or a thrown object injury, stay in operator zone behind handles and keep children, bystanders, helpers and pets at least 75 feet from string trimmer while it is in operation. Stop machine if anyone enters area.
- Always wear safety glasses or safety goggles during operation and while performing an adjustment or repair to protect your eyes. Thrown objects which ricochet can cause serious injury to the eyes.
- Wear sturdy, rough-soled work shoes and close-fitting pants and shirts. Shirts and pants that cover the arms and legs and steel-toed shoes are recommended. Never operate this machine while barefoot, in sandals, slippery or lightweight (e.g. canvas) shoes.

# Safety (continued)

## GENERAL SAFETY

- Do not put hands or feet near or under rotating parts. Keep clear of discharge area at all times as the rotating spindle and trimmer lines can cause injury.
- Never operate the string trimmer without proper shields, guards, control lever or other safety protective devices in place and working.
- Never operate the string trimmer with damaged safety devices. Failure to do so, can result in personal injury.
- Many injuries occur as a result of the string trimmer being pulled over the foot during a fall caused by slipping or tripping. Do not hold on to the string trimmer if you are falling; release the handle immediately.
- Never pull the string trimmer back toward you while you are walking. If you must back the string trimmer away from a wall or obstruction first look down and behind to avoid tripping and then follow these steps:
  - a. Step back from string trimmer to fully extend your arms.
  - b. Be sure you are well balanced with sure footing.
  - c. Pull the string trimmer back slowly, no more than half way toward you.
  - d. Repeat these steps as needed.
- Do not operate the string trimmer while under the influence of alcohol or drugs.
- The control lever is a safety device. Never attempt to bypass its operation. Doing so makes the safety device inoperative and may result in personal injury through contact with the rotating trimmer line. The control lever must operate easily in both directions and automatically return to the disengaged position when released.
- Never operate the string trimmer in wet grass. Always be sure of your footing. A slip and fall can cause serious personal injury. If you feel you are losing your footing, release the control lever immediately and the spindle will stop rotating within three seconds.
- Operate only in daylight or good artificial light. Walk, never run.
- Stop the spindle when crossing gravel drives, walks or roads.
- If the equipment should start to vibrate abnormally, stop the engine and check immediately for the cause. Vibration is generally a warning of trouble.
- Shut the engine off and wait until the spindle comes to a complete stop before cleaning the discharge area. The spindle continues to rotate for a few seconds after the control lever is released. Never place any part of the body in the trimmer line area until you are sure the spindle has stopped rotating.
- Never operate string trimmer without the proper trail shield, discharge cover, control lever or other safety protective devices in place and working. Never operate string trimmer with damaged safety devices. Failure to do so can result in personal injury.
- Muffler and engine become hot and can cause a burn. Do not touch.
- Only use parts and accessories made for this machine by the manufacturer. Failure to do so can result in personal injury.
- When starting engine, pull cord slowly until resistance is felt, then pull rapidly. Rapid retraction of starter cord (kickback) will pull hand and arm toward engine faster than you can let go. Broken bones, fractures, bruises or sprains could result.
- If situations occur which are not covered in this manual, use care and good judgement. Contact Customer Support for assistance or the name of the nearest service dealer.

## SLOPE SAFETY

Slopes are a major factor related to slip and fall accidents, which can result in severe injury. Operation on slopes requires extra caution. If you feel uneasy on a slope, do not trim on it. For your safety, use the slope gauge included as part of this manual to measure slopes before operating this machine on a sloped or hilly area. If the slope is greater than 15 degrees, do not trim on it.

- Trim across the face of slopes; never up and down. Exercise extreme caution when changing direction on slopes.
- Watch for holes, roots, rocks, hidden objects, or bumps which can cause you to slip or trip. Tall grass can hide obstacles.

# Safety (continued)

## GENERAL SAFETY

- Always be sure of your footing. A slip and fall can cause serious personal injury. If you feel you are losing your balance, release the control lever immediately and the spindle will stop rotating within three (3) seconds.
- Do not trim near drop-offs, ditches or embankments, you could lose your footing or balance.
- Do not trim slopes greater than 15 degrees as shown on the slope gauge.
- Do not trim on wet grass. Unstable footing could cause slipping.

## CHILDREN SAFETY

Tragic accidents can occur if the operator is not alert to the presence of children. Children are often attracted to the string trimmer and the trimming activity. They do not understand the dangers. Never assume that children will remain where you last saw them.

- Keep children out of the trimming area and under watchful care of a responsible adult other than the operator.
- Be alert and turn string trimmer off if a child enters the area.
- Before and while moving backwards, look behind and down for small children.
- Use extreme care when approaching blind corners, doorways, shrubs, trees, or other objects that may obscure your vision of a child who may run into the string trimmer.
- Keep children away from hot or running engines. They can suffer burns from a hot muffler.
- Never allow children to operate this machine.

## SAFETY WHILE SERVICING

### Safe Handling Of Gasoline:

- To avoid personal injury or property damage use extreme care in handling gasoline. Gasoline is extremely flammable and the vapors are explosive. Serious personal injury can occur when gasoline is spilled on yourself or your clothes, which can ignite. Wash your skin and change clothes immediately.

- Use only an approved gasoline container.
- Never fill containers inside a vehicle or on a truck or trailer bed with a plastic liner. Always place containers on the ground away from your vehicle before filling.
- Remove gas-powered equipment from the truck or trailer and refuel it on the ground. If this is not possible, then refuel such equipment on a trailer with a portable container, rather than from a gasoline dispenser nozzle.
- Keep the nozzle in contact with the rim of the fuel tank or container opening at all times until fueling is complete. Do not use a nozzle lock-open device.
- Extinguish all cigarettes, cigars, pipes and other sources of ignition.
- Never fuel machine indoors because flammable vapors will accumulate in the area.
- Never remove gas cap or add fuel while engine is hot or running. Allow engine to cool at least two minutes before refueling.
- Never over fill fuel tank. Fill tank to no more than 1 inch below bottom of filler neck to provide for fuel expansion.
- Replace gasoline cap and tighten securely.
- If gasoline is spilled, wipe it off the engine and equipment. Move machine to another area. Wait 5 minutes before starting engine.
- Never store the machine or fuel container near an open flame, spark or pilot light as on a water heater, space heater, furnace, clothes dryer or other gas appliances.
- To reduce fire hazard, keep machine free of grass, leaves, or other debris build-up. Clean up oil or fuel spillage and remove any fuel soaked debris.
- Allow machine to cool at least 5 minutes before storing.
- Never run an engine indoors or in a poorly ventilated area. Engine exhaust contains carbon monoxide, an odorless and deadly gas.

## Safety (continued)

### GENERAL SAFETY

- Before cleaning, repairing, or inspecting, make certain the spindle and all moving parts have stopped. Disconnect the spark plug wire and ground against the engine to prevent unintended starting.
- Check the spindle and engine mounting bolts at frequent intervals for proper tightness. Also, visually inspect spindle for damage. Replace with the original equipment manufacturer's (O.E.M.) parts only, listed in this manual. "Use of parts which do not meet the original equipment specifications may lead to improper performance and compromise safety!"
- Keep all nuts, bolts, and screws tight to be sure the equipment is in safe working condition.
- Never tamper with safety devices. Check their proper operation regularly.
- After striking a foreign object, stop the engine, disconnect the spark plug wire and ground against the engine. Thoroughly inspect the string trimmer for any damage. Repair the damage before starting and operating the string trimmer.
- Trimmer components, guards and shields are subject to wear and damage which could expose moving parts or allow objects to be thrown. For safety protection, frequently check components and replace immediately with original equipment manufacturer's (O.E.M.) parts only, listed in this manual. "Use of parts which do not meet the original equipment specifications may lead to improper performance and compromise safety!"
- Do not change the engine's governor setting or over-speed the engine. The governor controls the maximum safe operating speed of the engine.
- Check fuel line, tank, cap, and fittings frequently for cracks or leaks. Replace if necessary.
- Do not crank engine with spark plug removed.
- Maintain or replace safety and instruction labels, as necessary.
- Observe proper disposal laws and regulations. Improper disposal of fluids and materials can harm the environment.

Do not modify engine.

- To avoid serious injury or death, do not modify engine in any way. Tampering with the governor setting can lead to a runaway engine and cause it to operate at unsafe speeds. Never tamper with factory setting of engine governor.



**WARNING:** This machine is equipped with an internal combustion engine and should not be used on or near any unimproved forest-covered, brush covered or grass-covered land unless the engine's exhaust system is equipped with a spark arrestor meeting applicable local or state laws (if any).

# Warranty

## 2 YEAR LIMITED WARRANTY

### WHAT IS COVERED

From the date of original purchase, Legend Force warrants to the original purchaser that each lawn and garden product sold, shall be free from defect in material and workmanship for the items and time period set forth below. Legend Force, at its discretion, agrees to repair or replace any defective part that upon examination, inspection, and testing by a Legend Force authorized service dealer, is found to be defective within the original warranty period. Legend Force will also decide upon the use of new or rebuilt parts or comparable product. Any part or product that is replaced will be retained by Legend Force. This warranty period shall not be extended and any repaired product shall be warranted for the remaining period of the original warranty. The consumer is responsible, and shall prepay all transportation costs, including returning items to Legend Force. This warranty is non-transferable and proof-of-purchase and serial number must be presented when requesting warranty service. If a proof-of-purchase receipt is not provided, the product's shipping date by the manufacturer will be used to determine the warranty period.

**LENGTH OF WARRANTY:** Personal use applications of this lawn and garden product are warranted for two (2) years. Proof of purchase and of maintenance must be provided.

**YEAR 1** - Limited coverage on lawn and garden product components, parts and labor.

**YEAR 2** - Limited coverage on lawn and garden product components, parts only.

“Personal use” means personal residential household use or recreational use by the retail consumer. “Commercial use” means all other uses including commercial, construction, or other income producing purposes. Once a lawn and garden product has been used for commercial purposes, it shall thereafter be considered as a “commercial use” product for the purposes of this warranty. Any commercial product used as rental equipment will not be covered under this warranty.

### CONSUMER RESPONSIBILITIES:

- Consumer is responsible for carefully reading and following all instructions in the operator manual. Any product that is damaged due to misuse or abuse will not be covered by this warranty.
- Customer **MUST** present their concerns to Legend Force Support – **FIRST** by calling 1-877-527-0313. Only when we authorize the work may the customer deliver the product to a repair center. Warranted repairs will be completed in a reasonable period of time, not to exceed 30 days.
- Consumer is responsible for all transportation costs to an authorized Legend Force Service Center. Unless otherwise requested, ground shipping will apply for part orders. Customer may request expedited service, but will be responsible to pay any additional charge(s).
- Consumer is responsible for labor costs associated with warranted repairs twelve (12) months after the purchase date. Consumer is responsible for maintaining the lawn and garden product as specified in the operator's manual. Warranty coverage for labor will be based on normal working hours for the repair center.
- Maintenance may be required to fulfill a warranty claim; consumer is responsible for all costs for routine maintenance.

### WHAT THIS WARRANTY DOES NOT COVER:

- Normal wear: This warranty excludes normal wear items such as filters, spark plugs, gaskets, o-rings, adapter cord sets, wheels, and batteries.

## Warranty (continued)

---

### 2 YEAR LIMITED WARRANTY

- **Maintenance:** This warranty does not apply to tune-ups or routine maintenance and does not cover any adjustments or repairs not performed by an authorized repair facility.
- **Misuse:** This warranty does not apply if your product has failed due to abuse, misuse, neglect, using incorrect fuels or lubricants, overloading, overspeeding, improper maintenance, improper storage, unapproved modifications, or has been operated in any way contrary to the instructions found in the product operator manual.
- **Adverse conditions:** This warranty does not apply if your product has failed due to freezing, accident or natural disasters.
- **Product shipment:** This warranty does not apply to damage resulting from shipping, handling, or warehousing. Any damage claims to this product caused by shipment must be filed with the freight company.
- **Other exclusions:** This warranty does not apply if your product has been sold “as is” or where the factory applied serial number has been removed. Refurbished, used, demonstration or floor models are not covered by this warranty.

### WHERE WARRANTY IS VALID:

For warranty coverage, this product must be purchased from an authorized Legend Force dealer and the warranty only extends to the original purchaser in the United States, Canada, or Mexico. Refurbished, used, demonstration, or floor models are not covered by this warranty. Products purchased from auction websites, are not covered by this warranty. Products used for commercial use are not covered by this warranty.

### HOW TO OBTAIN WARRANTY SERVICE:

You can locate your nearest Legend Force dealer for service or warranty questions by calling 1-877-527-0313. Legend Force recommends you retain all of your receipts covering the purchase and maintenance of your lawn and garden product.

Legend Force obligation under this warranty is exclusively limited to product repair or replacement and shall not be liable for any incidental or consequential damages including, but not limited to, the expense of delivering product to and from repair center, loss or damage to personal property, loss of revenue, telephone charges, loss of time, or inconvenience. Some states, provinces or jurisdictions do not allow the exclusion or limitation of incidental damages, so the above limitation may not apply to you. The warranty gives you specific legal rights, and you may also have other rights which vary from state to state or province to province.



# Pre-Assembly

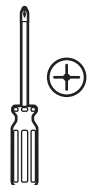
## PLANNING ASSEMBLY

Place box on a level surface. Remove all items from box. Make sure all items listed on the package contents list are included and not damaged.

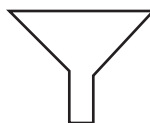
## TOOLS REQUIRED



Safety goggles



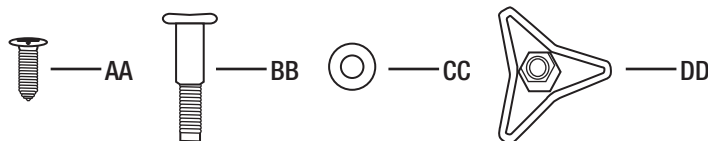
Phillips screwdriver



Funnel

## HARDWARE INCLUDED

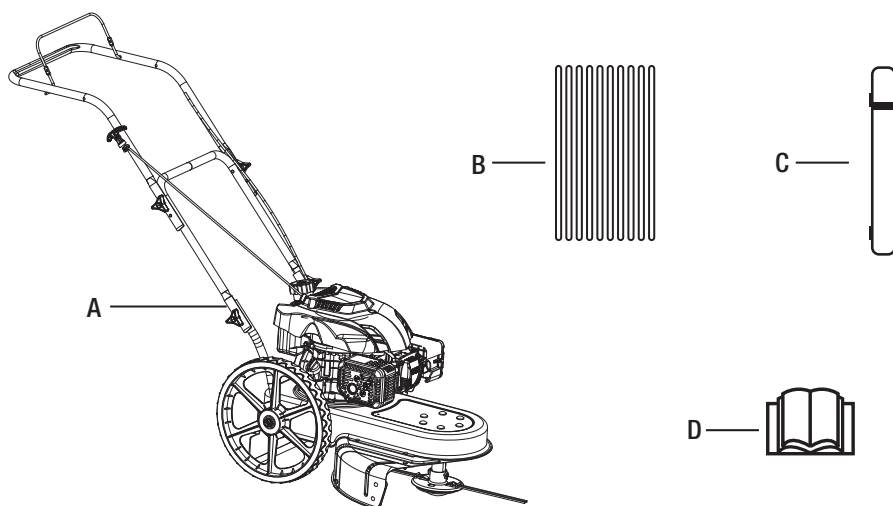
 NOTE: Hardware not shown to actual size.



Part	Description	Quantity
AA	Bolt M6	2
BB	Bolt M8	4

Part	Description	Quantity
CC	Washer	4
DD	Star Knob with Nut	4

## PACKAGE CONTENTS



Part	Description	Quantity
A	One String Trimmer	1
B	Trimmer Line	10

Part	Description	Quantity
C	Trimmer Line Pouch	1
D	Use And Care Guide	1



# Assembly

## 1 Assembling the Middle Handle

**NOTICE:** This string trimmer is shipped without gasoline or oil in the engine. Fill up the gasoline and oil BEFORE operating your machine.

- Remove the star knob (DD) and carriage bolt (BB) from the left lower handle and the right lower handle.
- Pivot the middle handle (1) into the operating position and fasten the middle handle. See Figure 1-1.

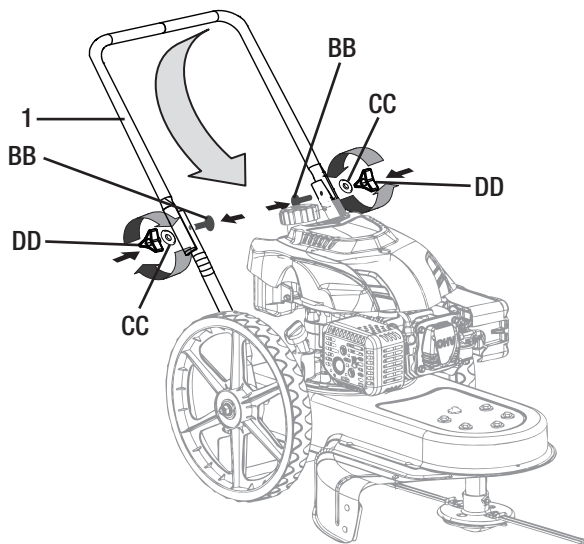


Figure 1-1

## 2 Assembling the Upper Handle

- Remove the star knob (DD) and carriage bolt (BB) from the left upper handle (1) and the right upper handle (1).
- Attach the upper handle (1) into one of two positions by pivoting and fastening the middle handle (2). See Figure 1-2.

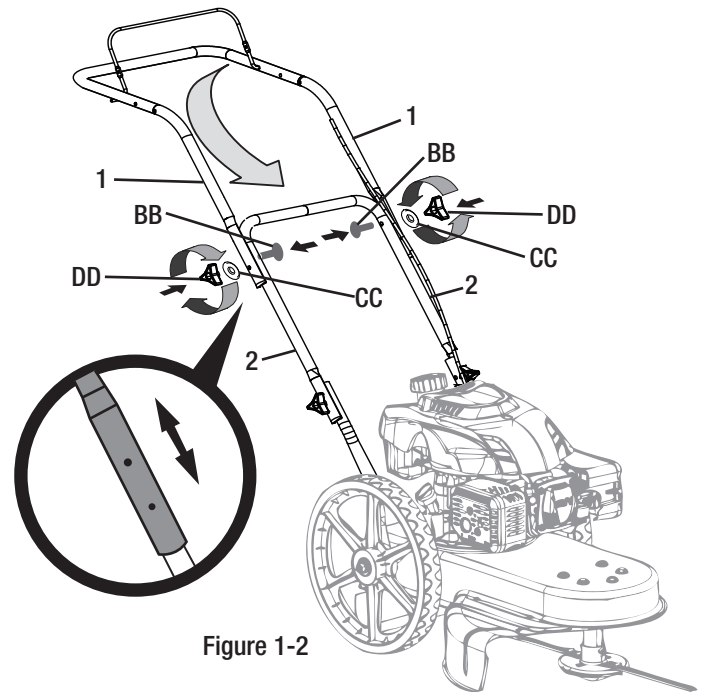


Figure 1-2

## Assembly (continued)

### 3 Attaching The Pull Start Rope

- Disconnected the spark plug boot from the spark plug.
- Pivot the control handle against the upper handle and pull the rope out of the engine.
- Put the starter rope into the hook. See Figure 1-3.

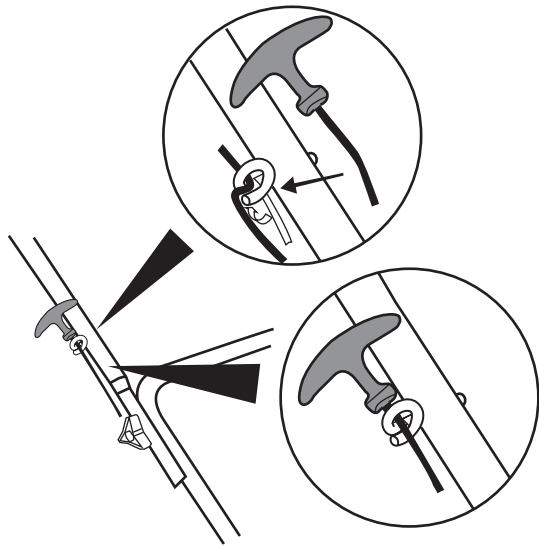


Figure 1-3

### 4 Assembling the Trimmer Shield



**WARNING:** Make sure the trimmer shield is installed in place before starting the machine.

- Pull the trimmer shield (1) out into position by pivoting the hole. See Figure 1-4.
- Insert the bolt (AA) into the hole and fasten it with a wrench tool. See Figure 1-5.

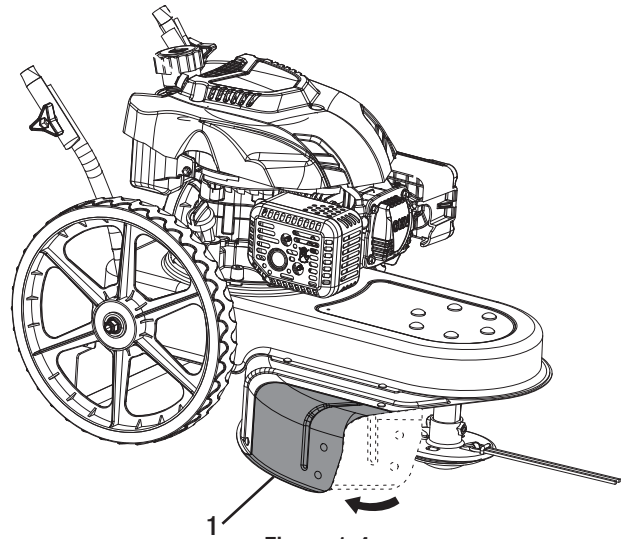


Figure 1-4

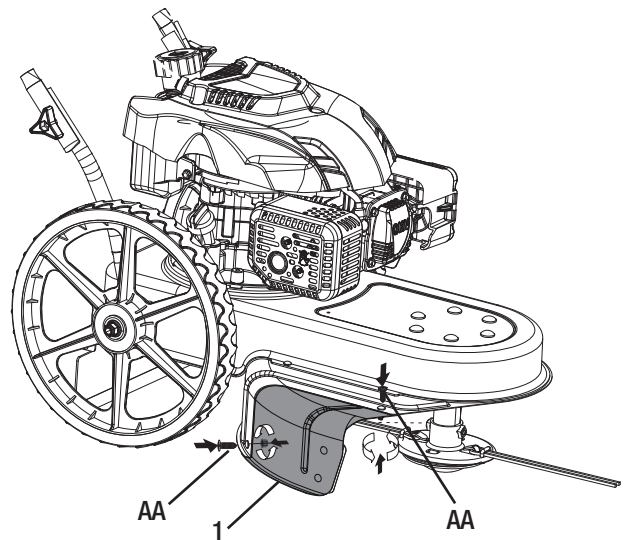


Figure 1-5

# Operation

## 1 Adding Gas and Oil



**WARNING:** Use extreme care when handling gasoline. Gasoline is extremely flammable and the vapors are explosive. Never fuel the machine indoors or while the engine is hot or running. Extinguish cigarettes, cigars, pipes and any other sources of ignition.

- Remove gas cap. Place funnel securely and add fuel. Do not top off. Fuel tank capacity is approx. .32 gallons.
- Secure the gas cap and wipe off any excess fuel. See Figure 1-6.

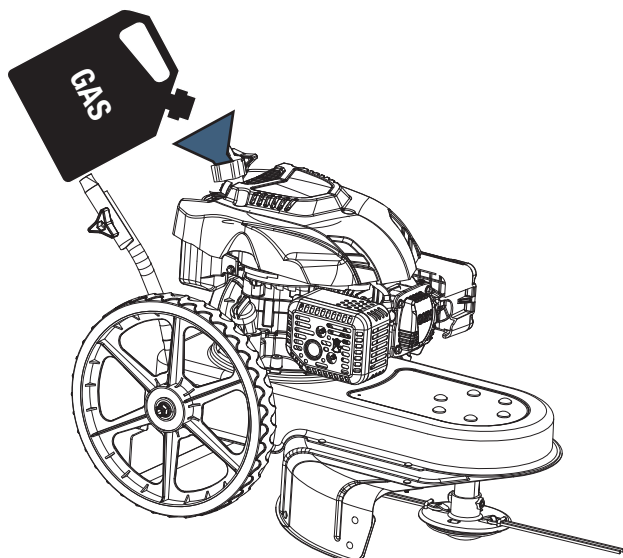
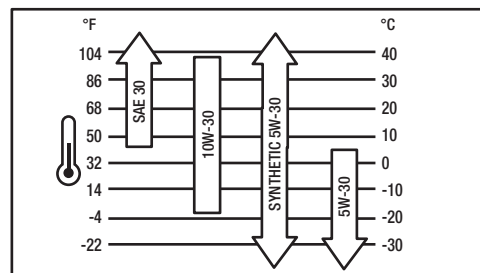


Figure 1-6



**IMPORTANT:** Use only Regular Octane Fuel.

- We recommend the use of 10W-30 oil. Other high-quality detergent oils are acceptable if classified for service SF, SG, SH, SJ or higher.
- Do not use special additives.
- Outdoor temperatures determine the proper oil viscosity for the engine. Use the chart to select the best viscosity for the outdoor temperature range expected.



- Place string trimmer on a level surface.
- Remove the filler cap. Place the funnel securely and add oil. Do not top off. Oil capacity is approx. .5 liters. Check dipstick to confirm adequate amount of oil.
- Secure the oil cap and wipe off any excess oil. See Figure 1-7.

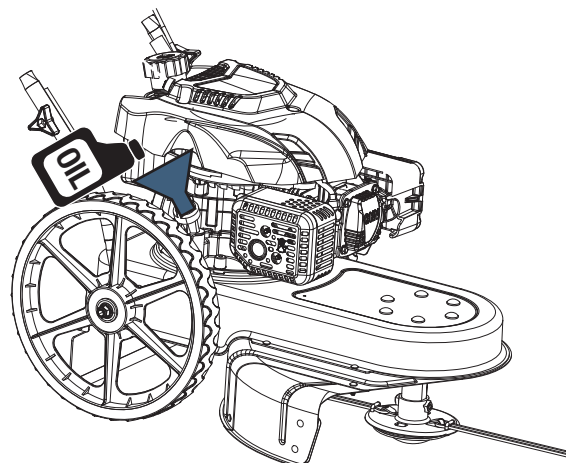


Figure 1-7



**IMPORTANT:** We recommend using 10W-30 Oil.

## Operation (continued)

# 2 Controls and Features

### RECOIL STARTER

- The recoil starter is attached to the right side of the upper handle. Stand behind the unit and pull the recoil starter rope to start the unit.

### TRIMMER SHIELD

- The trimmer shield is connected to the trimmer base and it is used to prevent debris from being thrown.

### CONTROL LEVER

- The control lever must be depressed to start the engine and rotation of the trimmer spindle assembly. Releasing the control lever stops the engine and trimmer spindle assembly.



**WARNING:** This control lever is a safety device. Never attempt to bypass its operations.

### SPINDLE

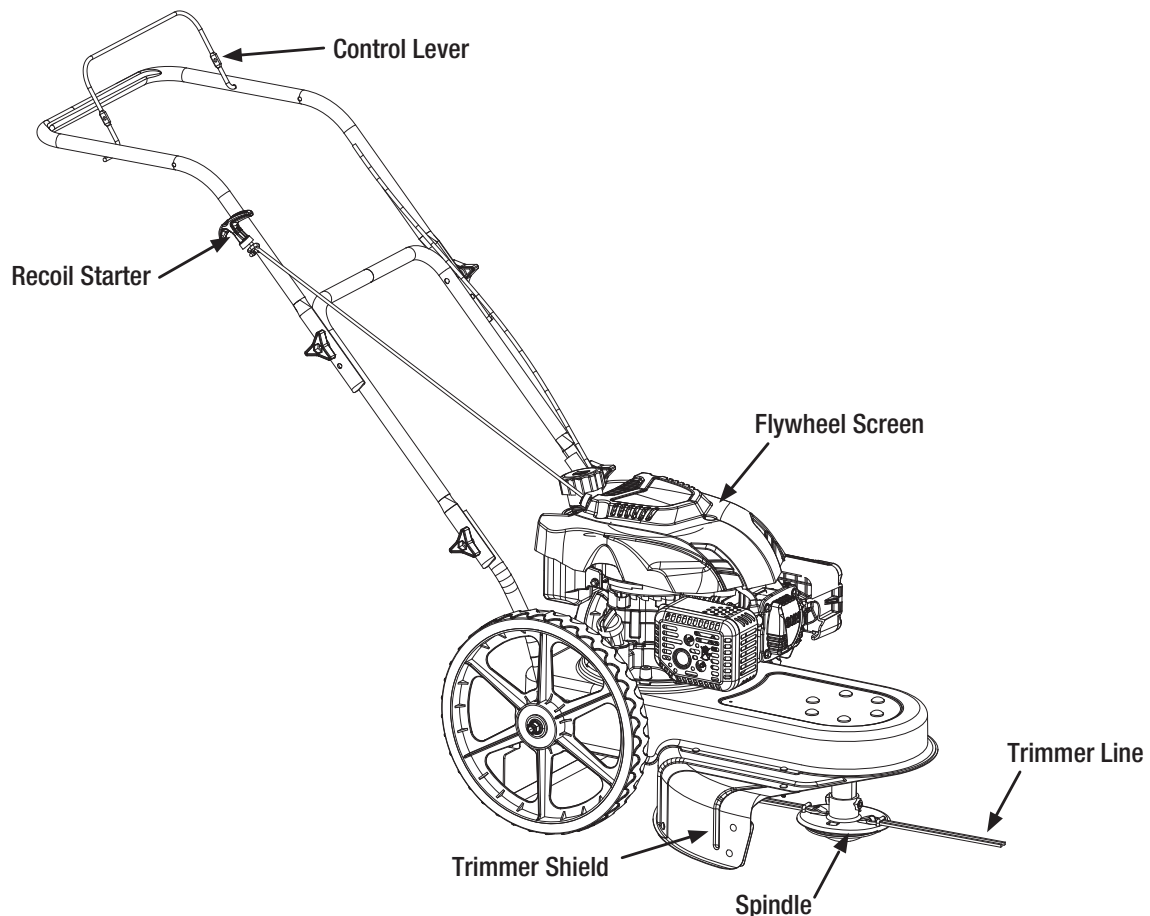
- The spindle rotates the trimmer line.

### TRIMMER LINE

- The trimmer line is attached to the spindle assembly and it is used to trim grass, vegetation, undergrowth and weeds.

### FLYWHEEL SCREEN

- Keep the flywheel screen free of grass clippings and debris at all times.



## Operation (continued)

### 3 Adjusting the Spindle Height

The spindle height can be adjusted for various applications. To do so, proceed as follows:

- Loosen the bolt found on the side of the spindle shaft.

**NOTICE:** The bolts are designed so that they cannot be removed from the spindle shaft.

- Slide the spindle upward or downward to the desired position before retightening the bolts (1) and nut (2). See Figure 1-8. Bolts must be tightened with the spindle when starting the equipment.

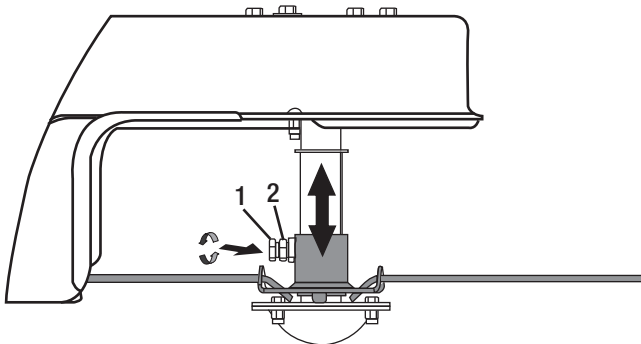


Figure 1-8

### 4 Starting and Stopping

- Press the priming bulb one or two times and depress control lever. Pull the starter rope to start the engine. See Figure 1-9.
- Releasing the control lever stops the engine.

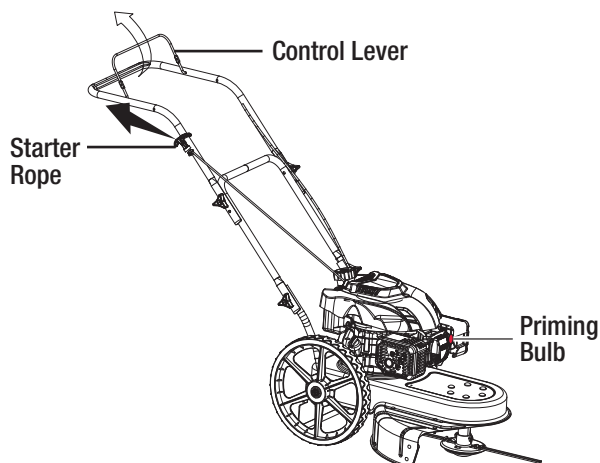


Figure 1-9

### 5 Using Your String Trimmer

- Be sure trimming area is clear of stones, sticks, wire, or other objects which could damage the string trimmer or engine. Such objects could be accidentally thrown by the trimmer in any direction and cause serious personal injury to the operator and others.



**WARNING:** The operation of any string trimmer can result in foreign objects being thrown into the eyes, which can damage your eyes severely. Always wear safety glasses while operating the string trimmer, or while performing any adjustments or repairs on it.

- The string trimmer is designed with the spindle offset to the left side, allowing the operator to trim along a fence, landscaping, or a house to his or her right side without having to make any adjustments to the machine.
- Operate the string trimmer at a slower walking speed when trimming tall, thick weeds or grass.
- Clean the underside of the trimmer after each use to remove any debris build up.



**WARNING:** Shut the engine off and wait until the trimmer head comes to a complete stop before cleaning the discharge area. The trimmer head continues to rotate for a few seconds after the trimmer head control is released.

- Do not trim on excessively steep slopes. If a slope is difficult to stand on, do not trim. Do not trim on slopes when the ground is slippery or wet. Trim across the face of a slope, not up and down.



**CAUTION:** While operating the string trimmer, do not allow the spindle to contact a concrete, asphalt, or gravel surface. Doing so will result in premature wear.

### 6 Changing the Trimmer Line

To ease in removing worn trimmer line, change the trimmer line before it becomes too short (i.e. approximately half its original length).

- Remove the worn trimmer line from the spindle.
- Fold the replacement trimmer line in half and insert both ends through the loop near the edge of the spindle.
- Pull the ends of the trimmer line through the loop until the line is securely beneath the metal tab.
- Cross the line ends and pull each tightly to secure the trimmer line in place. See Figure 1-10.

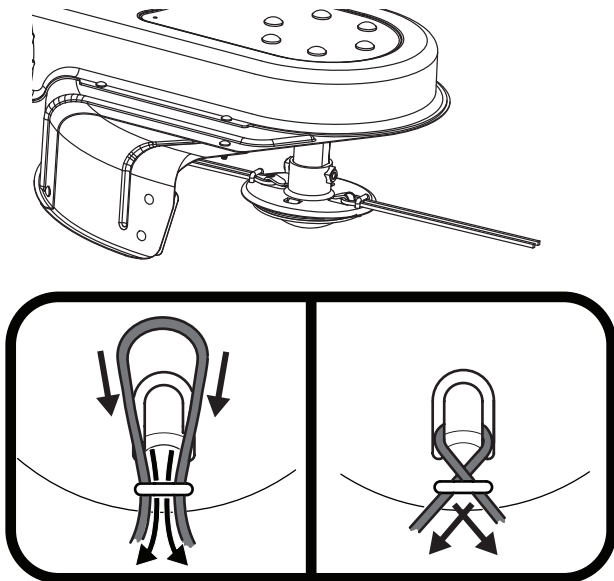


Figure 1-10

### HIGH ALTITUDE OPERATION

- If operating equipment with engines regularly at altitudes over 5,000 feet, the carburetor's air-fuel mixture will be too rich and emissions may increase. On engines not built for the United States the carburetor can be adjusted to operate under this condition. The carburetor should be returned to its normal setting if regular operation is less than 5,000 feet. Contact your service center to modify the carburetor.

# Maintenance

Always observe safety rules when performing any maintenance.

- The warranty on this string trimmer does not cover items that have been subjected to operator abuse or negligence. To receive full value from warranty, operator must maintain the string trimmer as instructed here.
- Changing of engine-governed speed will void engine warranty.
- All adjustments should be checked at least once each season.
- Periodically check all fasteners and make sure these are tight.



**WARNING:** Always stop engine, disconnect spark plug, and ground against engine before performing any type of maintenance on your machine.

## LUBRICATING THE STRING TRIMMER

- Lubricate pivot points on the control lever at least once a season with light oil. This control must operate freely in both directions. See Figure 1-11.

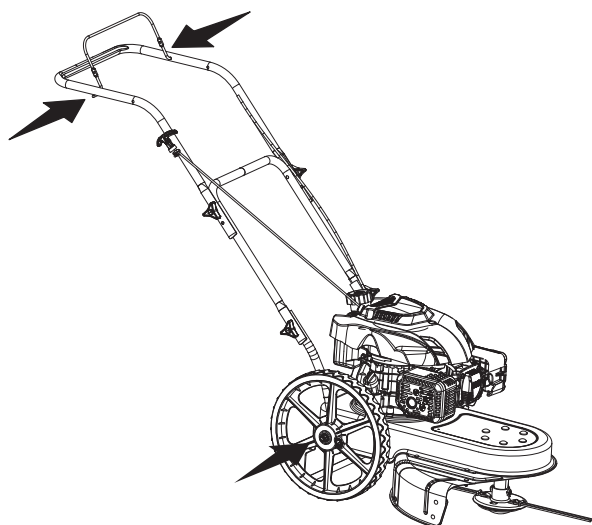


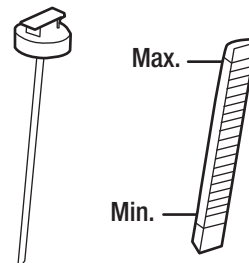
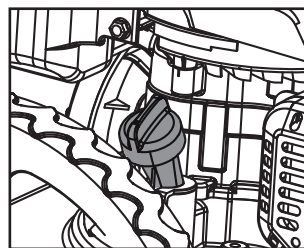
Figure 1-11

- Lubricate the wheels at least once a season with light oil (or motor oil). If wheels are removed for any reason, lubricate surface of the axle bolt and inner surface of the wheel with light oil.
- Follow the accompanying engine manual for lubrication schedule and instruction for engine lubrication.

## ENGINE

A list of key engine maintenance jobs required for good performance by the trimmer is given below.

- Maintain oil level. Always check oil before each use.
  1. Remove the dipstick and wipe with a clean cloth.
  2. Insert the dipstick into the filler neck without screwing it in.
  3. Remove the dipstick and check the oil level. The oil level should be in between the MIN. and MAX. levels.
  4. If low, add oil slowly into the engine oil fill tube. Do not overfill. After adding oil wait one minute and then re-check the oil level.
  5. Replace and tighten the dipstick.



## HOW TO REMOVE OIL



**CAUTION:** Used oil is a hazardous waste product and must be disposed of properly. Do not discard with household waste. Check with your local city or service center for safe disposal/recycling facilities.

- The oil must be drained from the oil drain plug. See Figure 1-12.
  1. Remove the dipstick.
  2. Put a container below the oil drain plug.
  3. Remove the oil drain plug and allow oil to drain into the container.

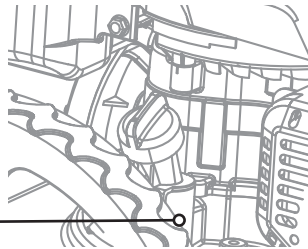


## Maintenance (continued)

4. Install the oil drain plug and tighten with a wrench.



**WARNING:** When you drain the oil from the oil drain plug, the fuel tank must be empty or fuel can leak out and result in fire or explosion. To empty the fuel tank, run the engine until it runs out of fuel.

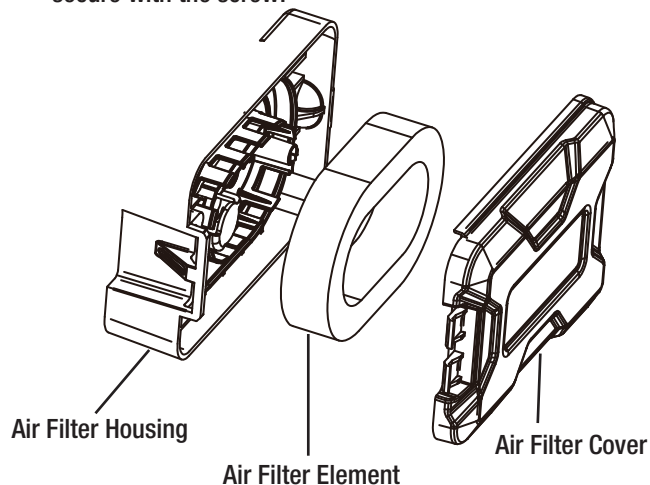


Oil Drain Plug

Figure 1-12

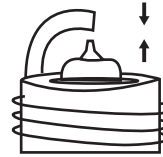
## AIR FILTER

- Service the air filter every 25 hours under normal conditions. Clean every few hours under extremely dusty conditions. Poor engine performance and flooding usually indicates that the air filter should be serviced.
1. Remove the air cleaner outside cover. Be careful to prevent dirt and debris from falling into the air cleaner assembly.
  2. Separate the air filter from the air filter housing.
  3. Inspect the air filter. Clean the dirty air filter with warm water and mild soap. Allow air filter to dry thoroughly before re-installing.
  4. Install the air filter assembly onto the carburetor and secure with the screw.



## SPARK PLUG

- Clean spark plug and reset the gap once a season. Spark plug replacement is recommended at the start of each mowing season.



GAP 0.6-0.8 mm (0.024-0.031 in.)

- Check the gap with a wire gauge. If necessary, reset the gap. Install and tighten the spark plug.



**WARNING:** Never tip the trimmer more than 90° in any direction and do not leave the trimmer tipped for any length of time. Oil can drain into the upper part of the engine causing a starting problem.

## Care and Cleaning

Take the following steps to prepare your trimmer for storage.

- Clean and lubricate the trimmer.
- Store the trimmer in a dry, clean area. Do not store next to corrosive materials, such as fertilizer.
- Using a light oil or silicone, coat the equipment, especially cables and all moving parts of your string trimmer.
- Clean the engine regularly with a cloth or brush. Keep the top of the engine clean to permit proper air circulation. Remove all grass, dirt and debris from muffler area.
- Engines stored between 30 and 90 days need to be treated with a gasoline stabilizer such as STA-BIL® to prevent deterioration and gum from forming in fuel system or on essential carburetor parts.
- Scrape and clean the underside of the machine with a suitable tool. Do not spray with water.



**IMPORTANT:** Do not use a pressure washer or garden hose to clean the machine. These may cause damage to the engine. The use of water will result in shortened life and reduce serviceability.

# Troubleshooting

Problem	Cause	Solution
The engine fails to start.	<ul style="list-style-type: none"> <li><input type="checkbox"/> The control lever is disengaged.</li> <li><input type="checkbox"/> The spark plug boot is disconnected.</li> <li><input type="checkbox"/> The fuel tank is empty or the fuel is stale.</li> <li><input type="checkbox"/> The engine is not primed (if equipped with primer).</li> <li><input type="checkbox"/> The spark plug is faulty.</li> <li><input type="checkbox"/> The fuel line is blocked.</li> <li><input type="checkbox"/> The engine is flooded.</li> </ul>	<ul style="list-style-type: none"> <li><input type="checkbox"/> Engage the control lever by pressing it down .</li> <li><input type="checkbox"/> Connect the spark plug boot.</li> <li><input type="checkbox"/> Fill the tank with clean, fresh fuel.</li> <li><input type="checkbox"/> Prime the engine as instructed in the Operation section.</li> <li><input type="checkbox"/> Clean, adjust the gap, or replace.</li> <li><input type="checkbox"/> See an authorized service center.</li> <li><input type="checkbox"/> Wait a few minutes then try to restart the engine.</li> </ul>
The engine runs erratic.	<ul style="list-style-type: none"> <li><input type="checkbox"/> The spark plug boot is loose.</li> <li><input type="checkbox"/> The fuel line is blocked or the fuel is stale.</li> <li><input type="checkbox"/> The vent in the gas cap is plugged.</li> <li><input type="checkbox"/> There is water or dirt in the fuel system.</li> <li><input type="checkbox"/> The air filter is dirty.</li> </ul>	<ul style="list-style-type: none"> <li><input type="checkbox"/> Connect and firmly attach the spark plug boot.</li> <li><input type="checkbox"/> Remove the stale fuel and recycle it per local ordinance. Fill the fuel tank with clean, fresh fuel.</li> <li><input type="checkbox"/> Clear the vent with a clean towel.</li> <li><input type="checkbox"/> Drain the fuel tank and refill with fresh fuel.</li> <li><input type="checkbox"/> Remove the outer foam prefilter and clean with warm water and mild soap. Allow air filter to dry thoroughly before re-installing.</li> </ul>
The engine overheats.	<ul style="list-style-type: none"> <li><input type="checkbox"/> The engine oil level is low.</li> <li><input type="checkbox"/> The air flow is restricted.</li> </ul>	<ul style="list-style-type: none"> <li><input type="checkbox"/> Fill the crankcase with 10W-30 oil.</li> <li><input type="checkbox"/> Clean the area around and on top of the engine.</li> </ul>
The motor occasionally skips (hesitates) at high speeds.	<ul style="list-style-type: none"> <li><input type="checkbox"/> Spark plug gap is incorrect.</li> </ul>	<ul style="list-style-type: none"> <li><input type="checkbox"/> Adjust the gap to .030 inches with a spark plug gap tool.</li> </ul>
The motor idles poorly.	<ul style="list-style-type: none"> <li><input type="checkbox"/> Spark plug is fouled, faulty, or gap is incorrect.</li> <li><input type="checkbox"/> Dirty air filter.</li> </ul>	<ul style="list-style-type: none"> <li><input type="checkbox"/> Adjust the gap to .030 inches or replace the spark plug.</li> <li><input type="checkbox"/> Clean the air filter.</li> </ul>
There is excessive vibration.	<ul style="list-style-type: none"> <li><input type="checkbox"/> The nuts and bolts are loose.</li> <li><input type="checkbox"/> The spindle is damaged.</li> </ul>	<ul style="list-style-type: none"> <li><input type="checkbox"/> Tighten all nuts and bolts.</li> <li><input type="checkbox"/> See an authorized service center.</li> </ul>
The trimming performance is poor.	<ul style="list-style-type: none"> <li><input type="checkbox"/> The trimmer line is too short (about 4 inches) or worn.</li> <li><input type="checkbox"/> The spindle belt is worn or damaged.</li> </ul>	<ul style="list-style-type: none"> <li><input type="checkbox"/> We suggest replacing trim line if the length is approximately less than 4" depending on the application.</li> <li><input type="checkbox"/> Replace the spindle belt.</li> </ul>

# Service Parts

Part	Description	Quantity
624011	Driven Pulley	1
623020	Filament Holster	1
624006	Belt	1

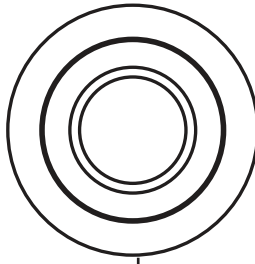
Part	Description	Quantity
372903	Air cleaner Assy	1
294813	Recoil	1
AA	Trimmer Line	10



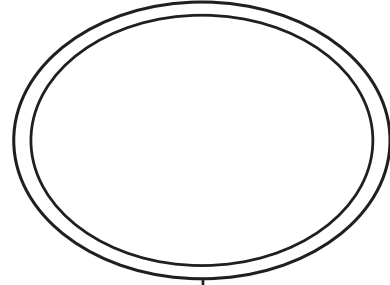
Filament Holster



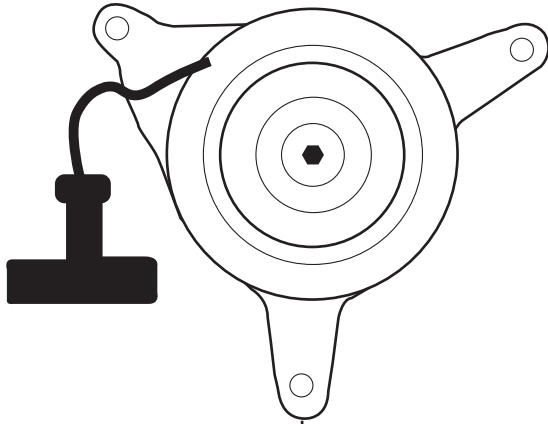
Trimmer Line



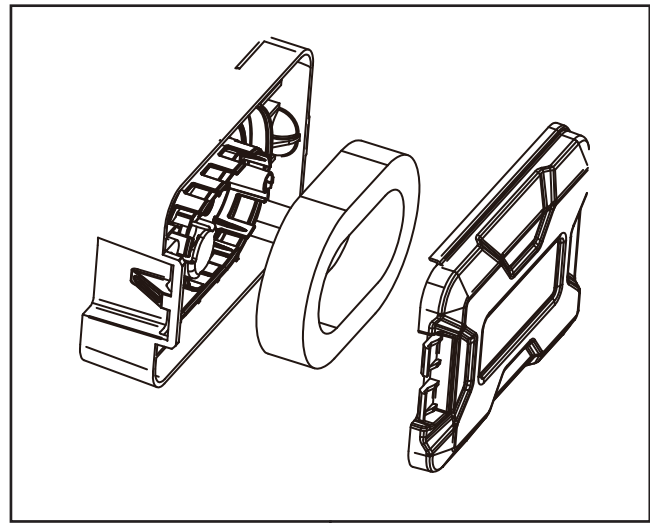
Driven Pulley



Belt



Recoil



Air Filter Assembly

# LEGEND FORCE™

Questions, problems, missing parts?  
Before returning to the store, call Customer Service  
8 a.m. - 7 p.m., EST, Monday-Friday, 9 a.m. - 6 p.m., EST, Saturday

1-877-527-0313

[HOMEDEPOT.COM](http://HOMEDEPOT.COM)

Retain this manual for future use.