

Enduro Steel / technical data sheet

Hot-dipped galvanized steel with landing to accommodate a mezzanine or square opening installations.

Enduro Steel has an adjustable height

from 99 3/16" to 120 1/16" (from 252 to 305 cm).

STEEL COLOR

HOT-DIP

GALVANIZED STEEL



Table 1

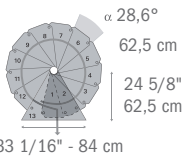
			ADDITIONAL ARTICLES	
	STAIRCASE HEIGHT	RISERS	TREADS	POLES
▲ INCREASE	132 5/16" ÷ 148 1/16" 336 ÷ 376 cm	16	+ 3	+ 1
	124 ÷ 138 9/16" 315 ÷ 352 cm	15	+ 2	+ 2*
	115 3/4" ÷ 129 1/2" 294 ÷ 329 cm	14	+ 1	-
STANDARD	107 1/2" ÷ 120 1/16" 273 ÷ 305 cm	13	12 TREADS + 1 GALVANIZED LANDING + RAILING WITH VERTICAL BALUSTERS	
▼ DECREASE	99 3/16" ÷ 111" 252 ÷ 282 cm	12	-	-
	90 15/16" ÷ 101 9/16" 231 ÷ 258 cm	11	-	+ 1*
	82 11/16" ÷ 92 1/2" 210 ÷ 235 cm	10	-	+ 1*



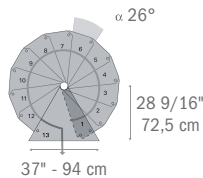
ADJUSTABLE RISE FROM 8 9/32" TO 9 1/4" (FROM 21 TO 23,5 CM)

* REPLACES THE EXISTING 49 3/16" (125 CM) POLE IN THE ENDURO STEEL STAIRCASE.

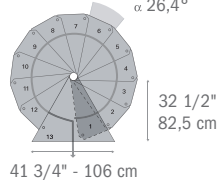
D 47 1/4" (Ø 120 cm)



D 55 1/8" (Ø 140 cm)

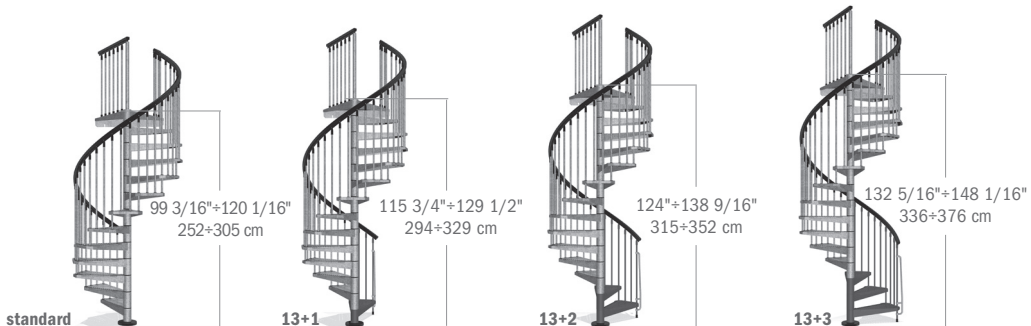


D 63" (Ø 160 cm)



DIAMETERS

The diameters of the staircase are 47 1/4", 55 1/8" e 63" (120, 140 e 160 cm). The recommended opening in the floor is at least 2" (5 cm) larger than the diameter of the staircase. Example: D staircase 47 1/4" (Ø 120 cm) = D ceiling opening 49 1/4" (Ø 125 cm).



ADDITIONAL ARTICLES OVERVIEW



TREAD



RISER BAR



POLE
32 5/16" (82 cm)

ADDITIONAL TREADS / POLES

To reach a staircase height of 148 1/16" (376 cm), you must purchase additional treads comprising the structure, tread and balusters.

Additional pole modules (Table 1) must be purchased for certain configurations.

RISER BAR

Allows to reduce the space between treads for safety.



The D 63" (Ø 160 cm) Eureka complies to the: **INTERNATIONAL RESIDENTIAL CODE 2012 - STAIR BUILDING CODE**

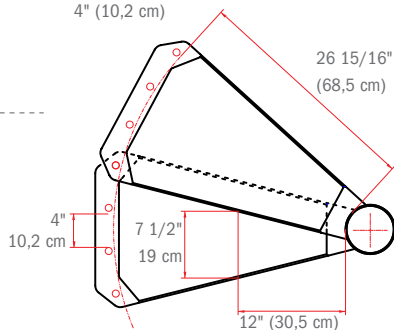
Rise from 8 9/32" to 9 1/4" (21 to 23,5 cm)

Minimum run at 12" (30,5 cm) from the narrow edge: 7 1/2" (19 cm)

Clear width: 26 15/16" (68,5 cm)

Distance between railing balusters:

4" (10,2 cm)



RESISTANCE TO WEATHERING



WINDING DIRECTION

The clockwise or counterclockwise winding direction may be decided during the assembly.



clockwise



counterclockwise

EXAMPLE

If you wish to purchase ENDURO STEEL comprising 13 + 3 = 16 risers, the following articles are needed:

- 1 ENDURO STEEL STAIRCASE (standard)
- 3 ADDITIONAL TREADS
- 1 ADDITIONAL POLE (32 5/16" / 82 cm)



FOR FURTHER INFORMATION
VISIT THE WEBSITE
www.arkestairs.com

fontanot
arke