



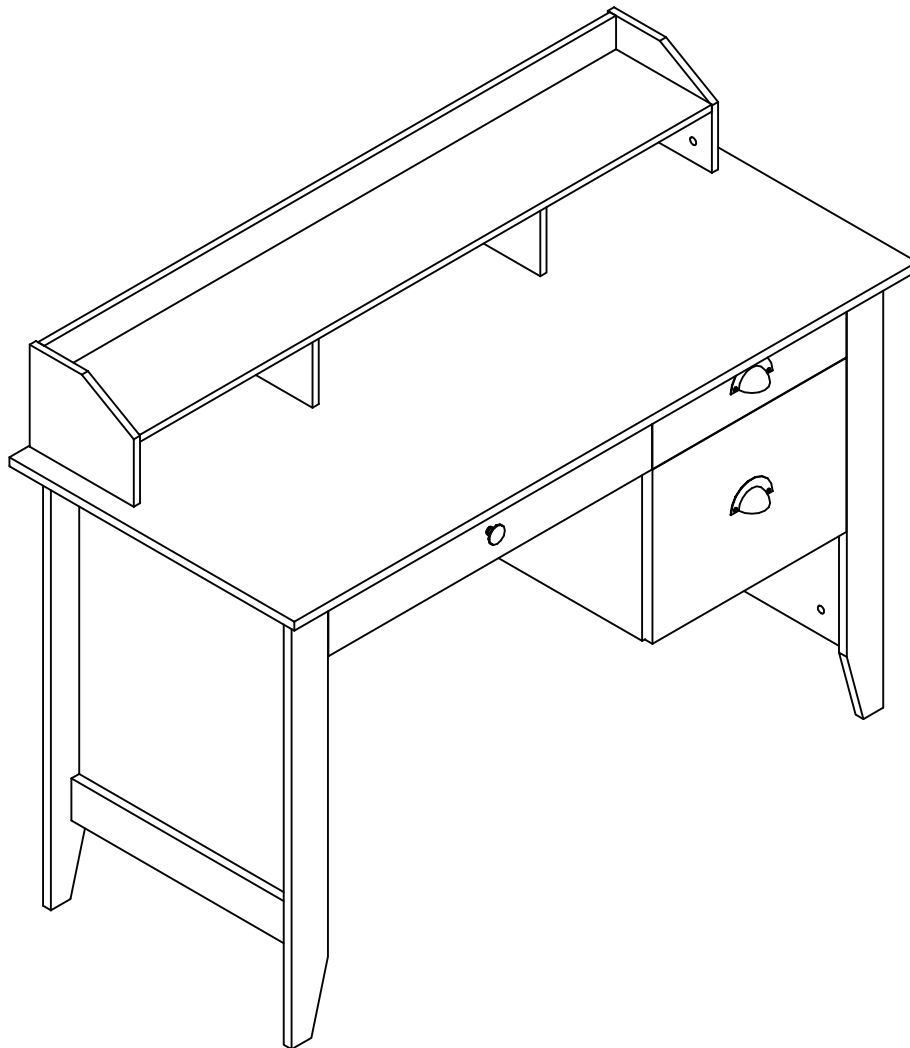
OneSpace™
OneSpace is a Trademark of Comfort Products, Inc.

ASSEMBLY INSTRUCTIONS

MODEL 50-161705

SUPPLIER CODE: SPRG

Eleanor Executive Desk with Hutch, USB and Charger Hub, Sleek Black



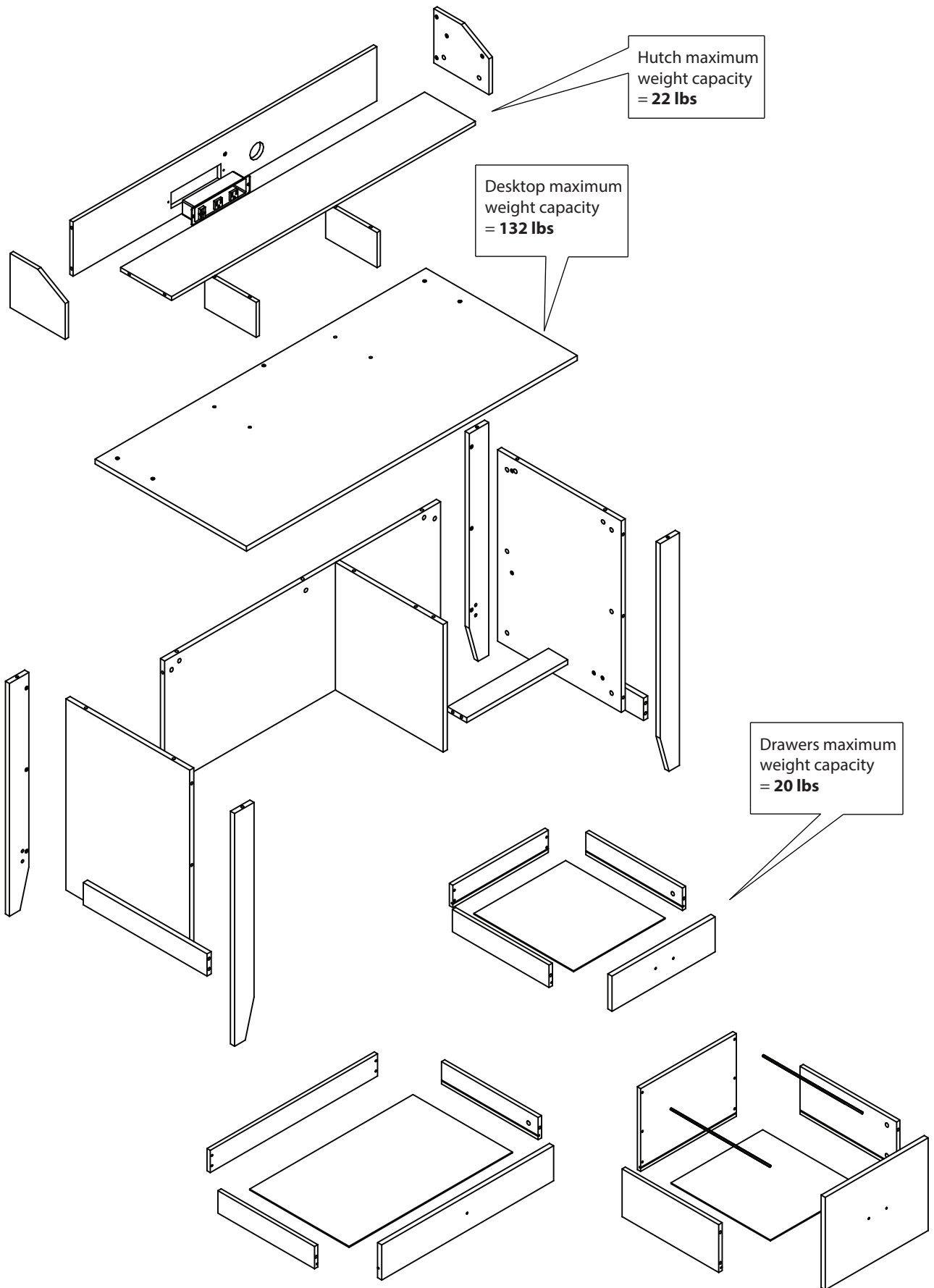
CUSTOMER SERVICE

For fastest service on claims, requests for replacement parts,
or questions, please visit our website at:

www.comfortproducts.net/support
e-mail: customerservice@comfortproducts.net




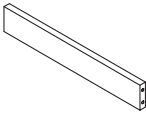



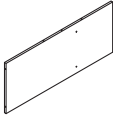
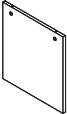
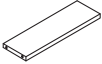
Keep your sales receipt as documentation of your ownership.

ASSEMBLY OVERVIEW



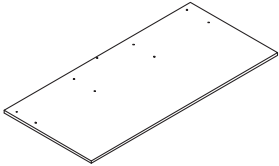
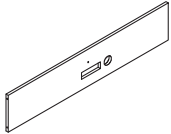
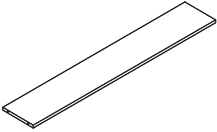

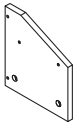
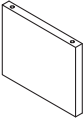
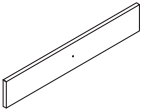
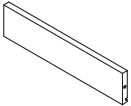
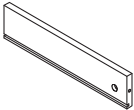
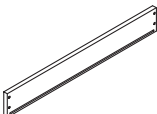
PARTS LIST 1 OF 3 (50-161705)

THE PART NUMBER CAN BE FOUND ON THE SIDE OF THE PART, EITHER STAMPED OR ON A STICKER.
ITEMS ARE NOT SHOWN TO SCALE.

#	DESCRIPTION		STOCK #	QTY.
1	Left Corner Board, Front		51-161705A	1
2	Left Board		51-161705B	1
3	Left Corner Board, Back		51-161705C	1
4	Trim Board		51-161705D	2
5	Right Corner Board, Front		51-161705C	1
<u>6</u>	Right Board		51-161705E	1
7	Right Corner Board, Back		51-161705A	1
8	Back Board		51-161705F	1
<u>9</u>	Center Board		51-161705G	1
10	Support Board		51-161705H	1

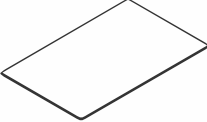
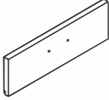
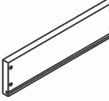
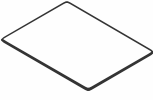
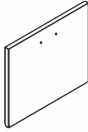
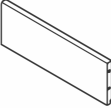
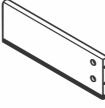
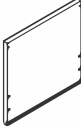






PARTS LIST 2 OF 3 (50-161705)

THE PART NUMBER CAN BE FOUND ON THE SIDE OF THE PART, EITHER STAMPED OR ON A STICKER.
ITEMS ARE NOT SHOWN TO SCALE.

#	DESCRIPTION		STOCK #	QTY.
11	Desktop		51-161705DT	1
12	Hutch Back		51-161705J	1
13	Hutch Shelf		51-161705K	1
14	Hutch Left Board		51-161705L	1
15	Hutch Right Board		51-161705M	1
16	Hutch Middle Board		51-161705N	2
17	Medium Drawer, Front Board		51-161705O	1
18	Drawer Left Board		51-161705P	2
19	Drawer Right Board		51-161705Q	2
20	Medium Drawer, Back Board		51-161705R	1

PARTS LIST 3 OF 3 (50-161705)














THE PART NUMBER CAN BE FOUND ON THE SIDE OF THE PART, EITHER STAMPED OR ON A STICKER.
ITEMS ARE NOT SHOWN TO SCALE.

#	DESCRIPTION		STOCK #	QTY.
21	Drawer Bottom A		51-161705S	1
22	Small Drawer, Front Board		51-161705T	1
23	Small Drawer, Back Board		51-161705U	1
24	Drawer Bottom B		51-161705V	2
25	Large Drawer, Front Board		51-161705W	1
26	Large Drawer, Left Board		51-161705X	1
27	Large Drawer, Right Board		51-161705Y	1
28	Drawer Back Board		51-161705Z	1
29	USB, Charger Hub		51-161705HUB	1
30	Outer Drawer Rollers	Left  Right 	51-1617DS	3 sets of 4
31	Inner Drawer Rollers	Left  Right 		
32	File Holder		51-1617FILE	2

HARDWARE LIST (50-161705)

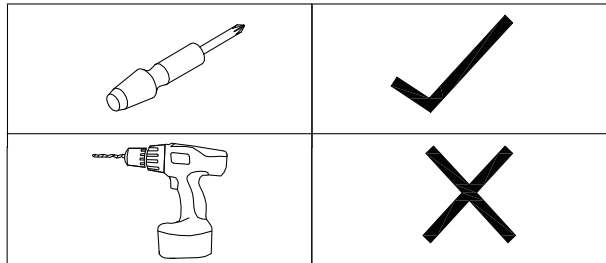
EXTRA HARDWARE INCLUDED FOR YOUR CONVENIENCE. ITEMS ARE NOT SHOWN TO SCALE.

HARDWARE KIT
STOCK # 51-161705HA

PART	DESCRIPTION		QTY.
A	Bolt		54
B1	Large Cam		32
B2	Small Cam		22
C	Dowel		20
D	M4 x 14MM		26
E	M5 x 40MM		12
F1	M4 x 22MM		4
F2	M4 x 18MM		1
G	Nut		4
H	Small Handle		1
I	Large Handle		2
J	Plastic Grommet		1
K	Sticker		24
	Extra Hardware (A - G)		1 set

⚠ CAUTION

- READ THE INSTRUCTION MANUAL BEFORE ASSEMBLING.
- REMOVE ALL PIECES BEFORE BEGINNING INSTALLATION.
- OPEN THE HARDWARE AS NEEDED .
- ASSEMBLE IN AN AREA WITH PLENTY OF SPACE.
- READ EACH STEP BEFORE BEGINNING CONSTRUCTION.
- NEVER FORCE THE SCREWS OR FITTINGS.
- KEEP THIS MANUAL FOR FUTURE REFERENCE.
- TIGHTEN ALL THE SCREWS EVERY 6 MONTHS.
- HAVE A SCREWDRIVER BEFORE YOU BEGIN ASSEMBLING (NOT INCLUDED).
- DO NOT USE A POWER DRILL.



CLEANING AND CARE

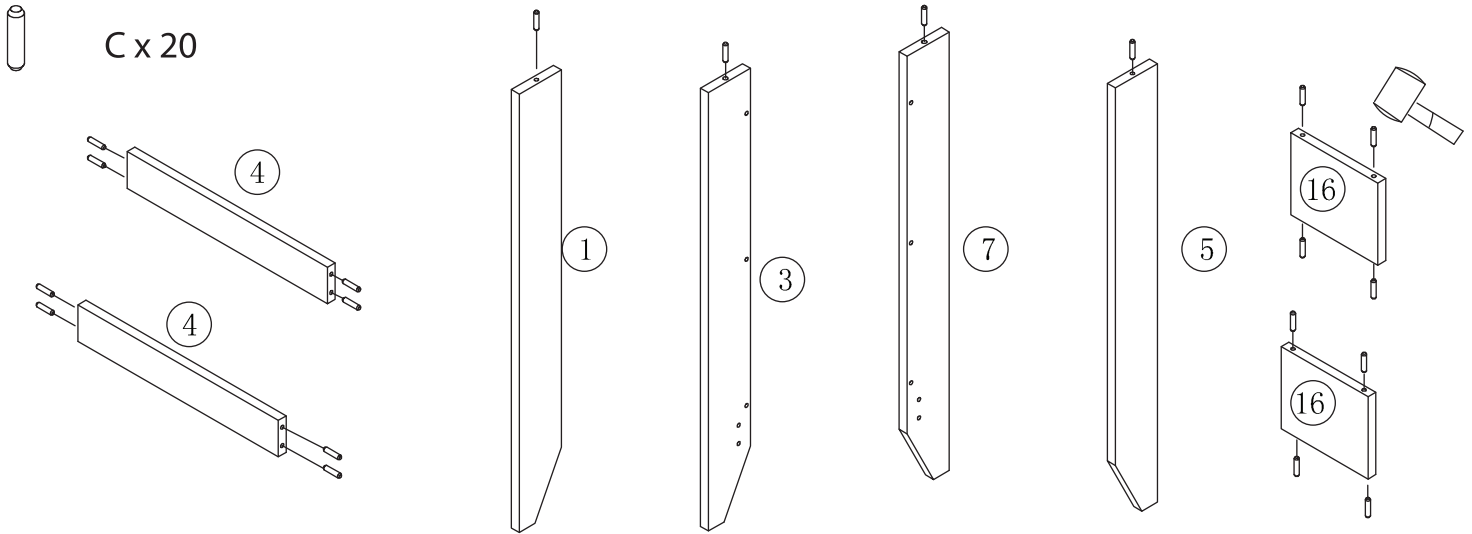
- CLEAN SURFACES WITH A DRY OR DAMP CLOTH.
- DO NOT USE ABRASIVE CLEANERS.

IF YOU ARE MISSING ANY OF THESE PARTS, OR IF YOU HAVE A DAMAGED PART, PLEASE VISIT WWW.COMFORTPRODUCTS.NET/SUPPORT REFERENCE THE MODEL # ON THE FRONT OF THIS MANUAL. SIMPLY COMPLETE THE INFORMATION, INCLUDING THE PART YOU NEED. THE PART WILL NORMALLY BE SHIPPED WITHIN 48 HOURS.

ASSEMBLY INSTRUCTIONS(50-161705)

STEP 1

Insert twenty Dowels (C) into the boards shown below.



STEP 2

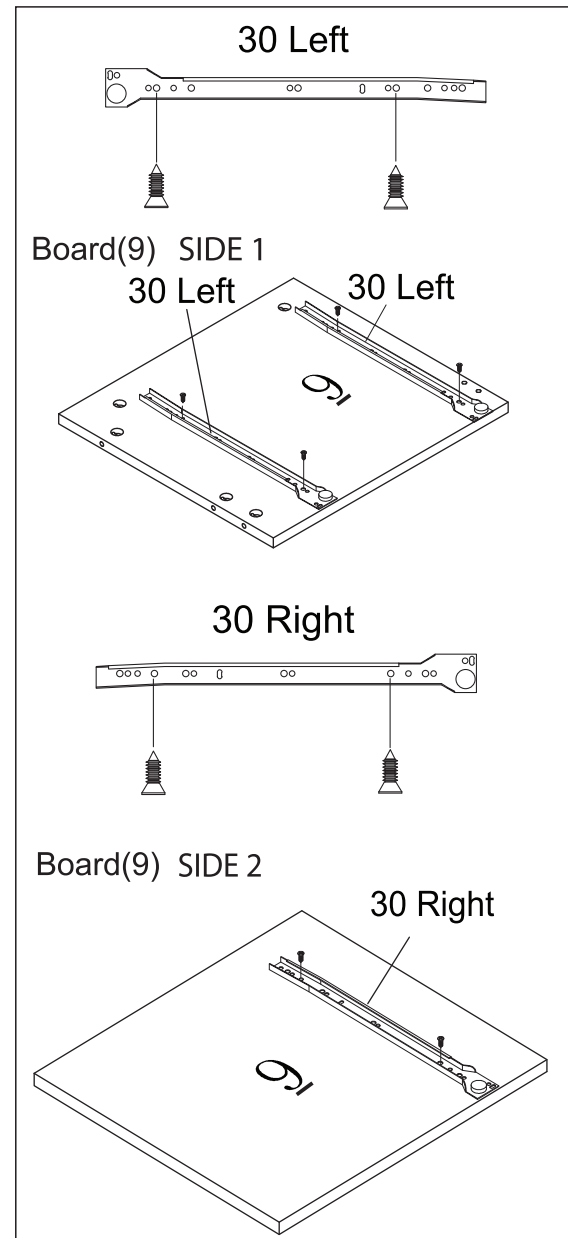
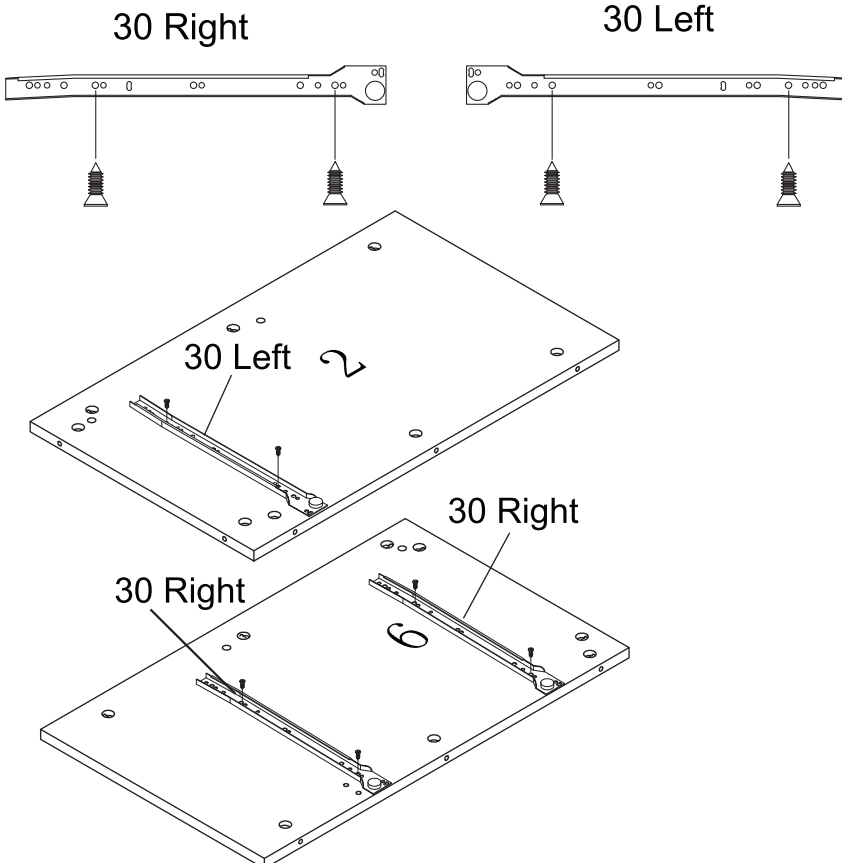
Attach a Left Outer Roller (30) to the Left Board (2) with two Screws (D).

Attach two Right Outer Rollers (30) to the Right Board (6) with four Screws (D).

Attach two Left Outer Rollers (30) to one side of the Center Board (9) and one Right Outer Roller (30) to the other side with six Screws (D).

Refer to the drawings for which holes in the rollers to use.

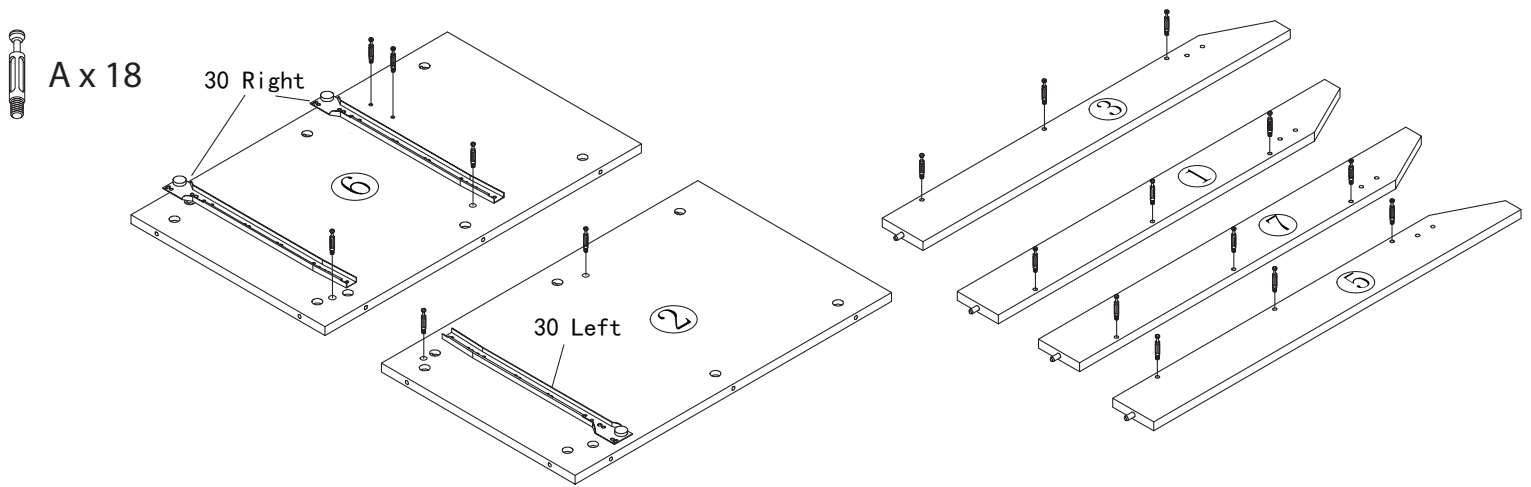
 DX12



ASSEMBLY INSTRUCTIONS (50-161705)

STEP 3

Fix eighteen Bolts (A) to the Boards shown below.

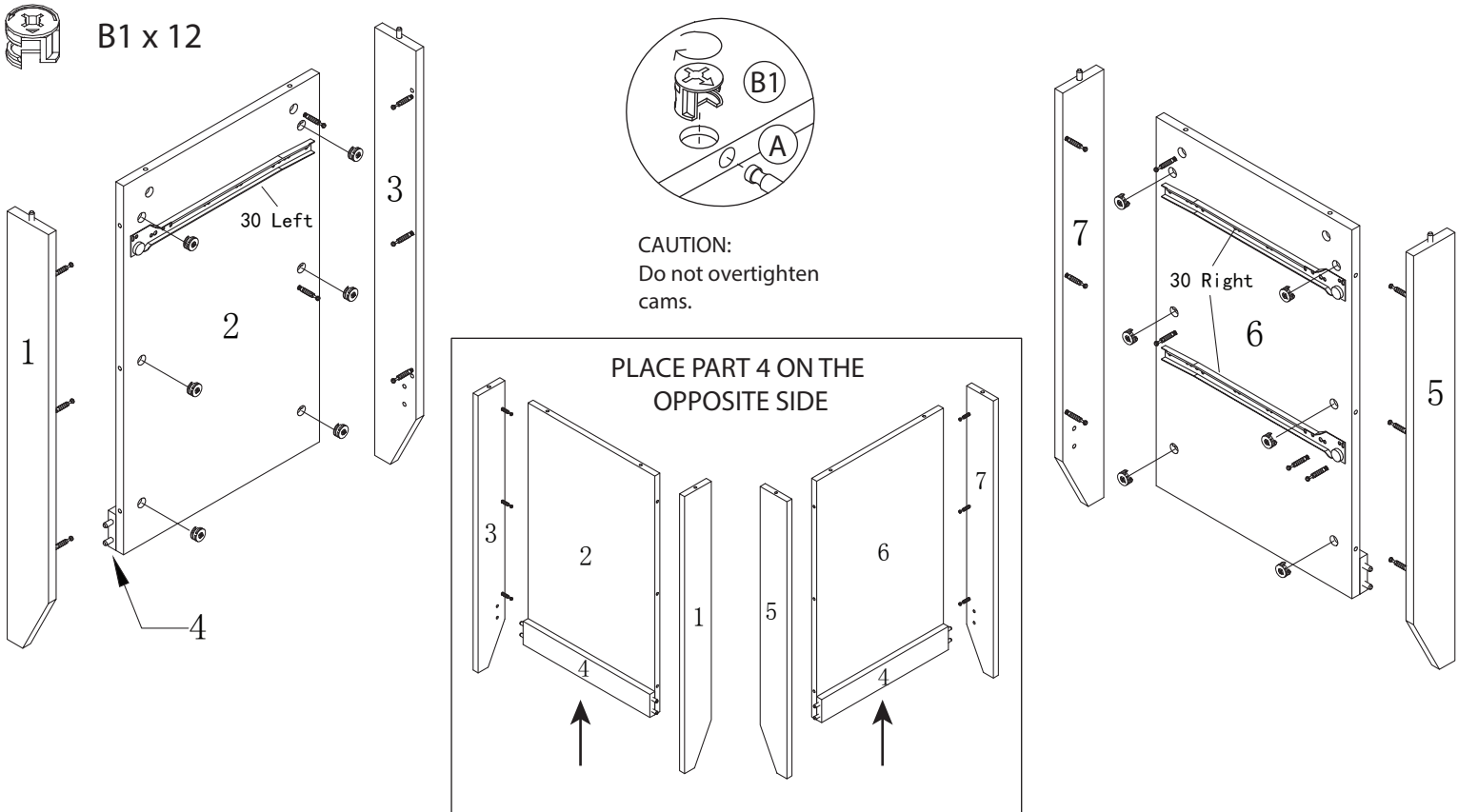


STEP 4

Insert twelve Large Cams (B1) into the Left (2) and Right (6) Boards. Make sure the arrows are pointing toward the holes where the bolts go in.

Attach the Left Corner Boards, Front (1) and Back (3) to the Left Board (2) and one Trim Board (4) by inserting the Bolts and turning the Cams clockwise half a turn to lock into place. At the same time, insert the dowels of the Trim Board (4) into the holes of the Front and Back Boards.

Attach the Right Corner Boards, Front (5) and Back (7) to the Right Board (6) and the other Trim Board (4) in the same way.



ASSEMBLY INSTRUCTIONS (50-161705)

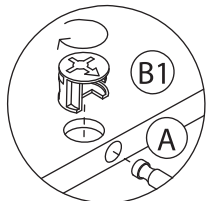
STEP 5

Fix two Bolts (A) to the Back Board (8). Insert two Large Cams (B1) into the Center Board (9), making sure the arrows are pointing toward the holes for the Bolts. Attach the Center Board to the Back Board by inserting the Bolts and tightening the Cams clockwise half a turn.

Fix two Bolts (A) to the Center Board (9). Insert two Large Cams (B1) into the Support Board (10). Attach the Support Board to the Center Board.



A x 4

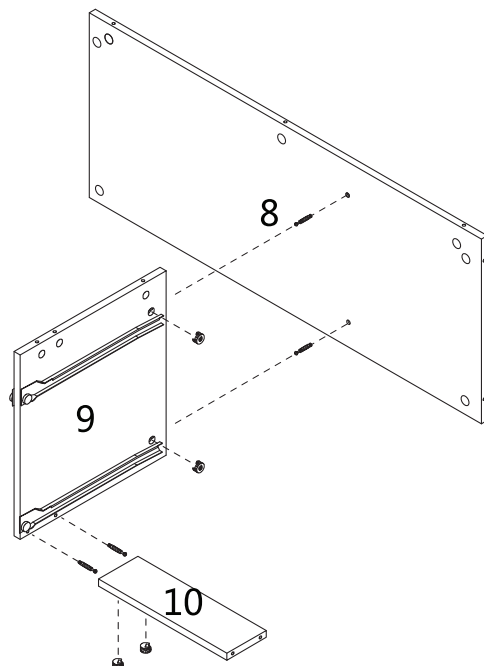


CAUTION:

Do not overtighten cams.



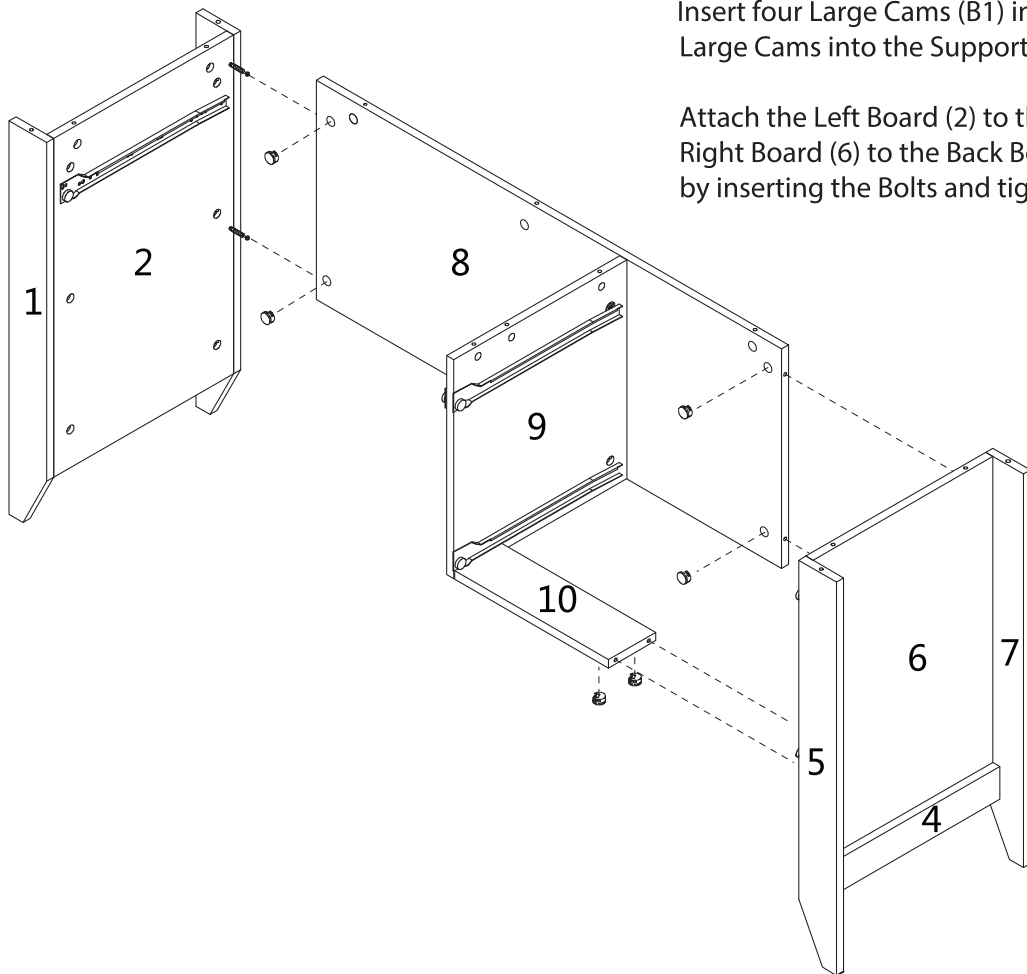
B1 x 4



STEP 6

Insert four Large Cams (B1) into the Back Board (8) and two more Large Cams into the Support Board (10).

Attach the Left Board (2) to the Back Board (8) and attach the Right Board (6) to the Back Board (8) and the Support Board (10) by inserting the Bolts and tightening the Cams.



B1 x 6

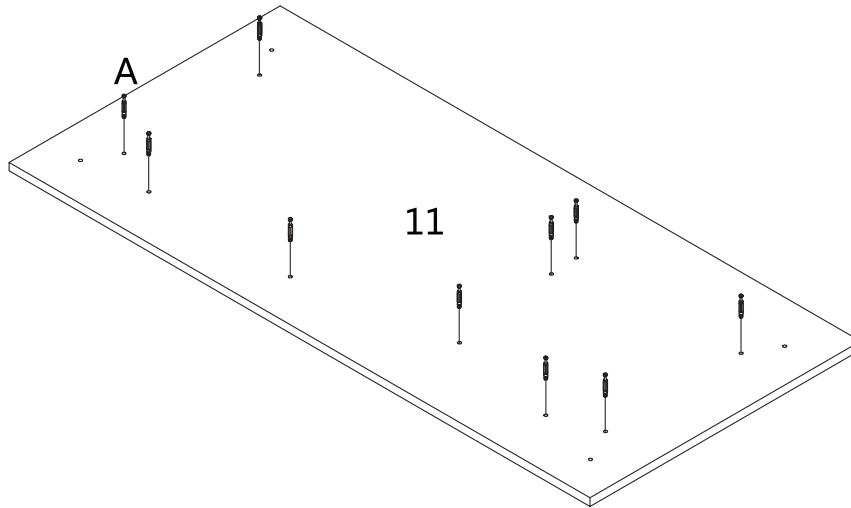
ASSEMBLY INSTRUCTIONS (50-161705)

STEP 7

Fix ten Bolts (A) to the underside of the Desktop (11).



A x 10

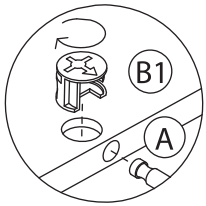


STEP 8

Insert ten Large Cams (B1) into the Left (2), Back (8), Center (9), and Right (6) Boards as shown. Align the Bolts in the Desktop (11) with the holes and the Dowels in the lower part of the desk. Lower the Desktop making sure all Bolts and Dowels are fully inserted and then tighten the Cams.

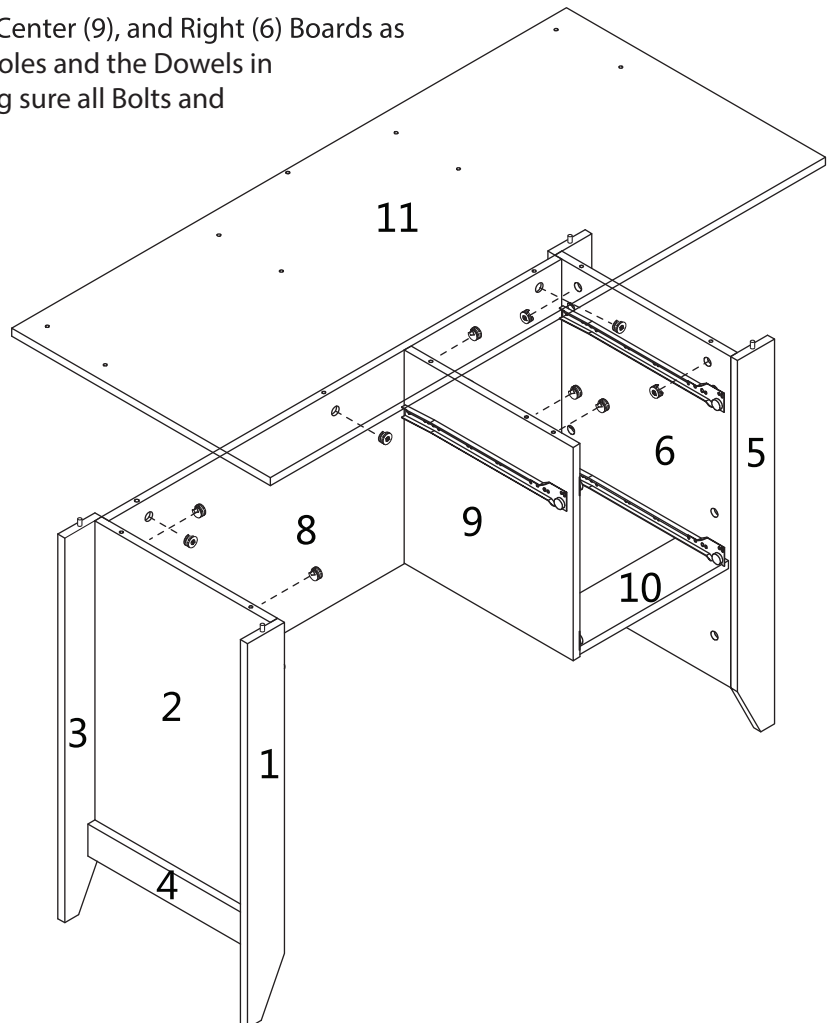


B1 x 10



CAUTION:

Do not overtighten cams.

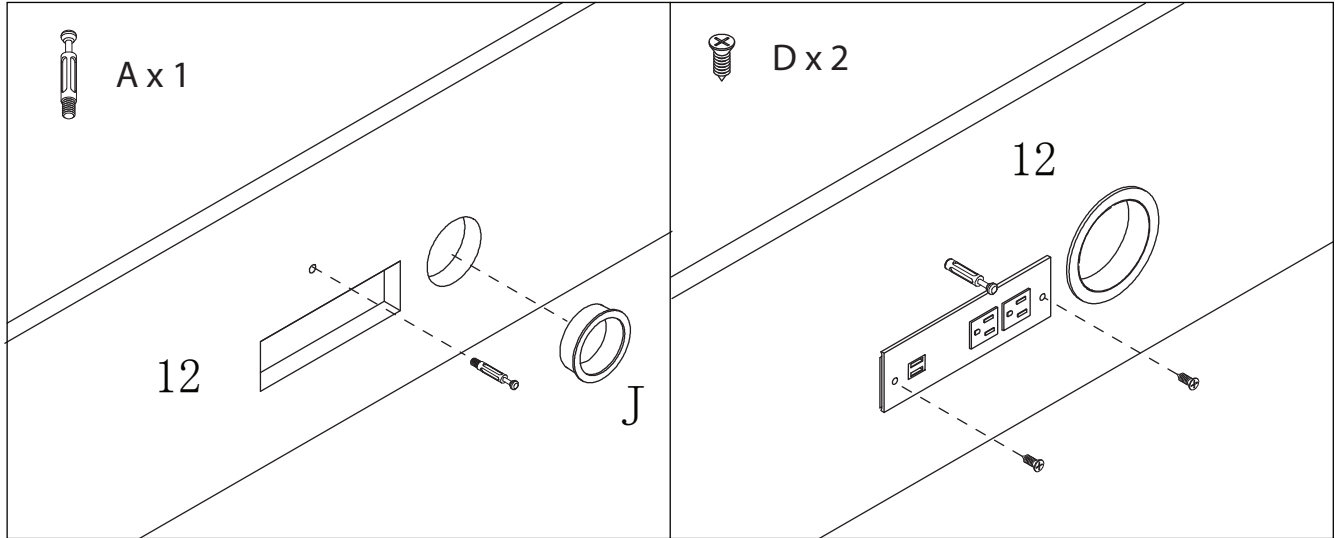


ASSEMBLY INSTRUCTIONS (50-161705)

STEP 9

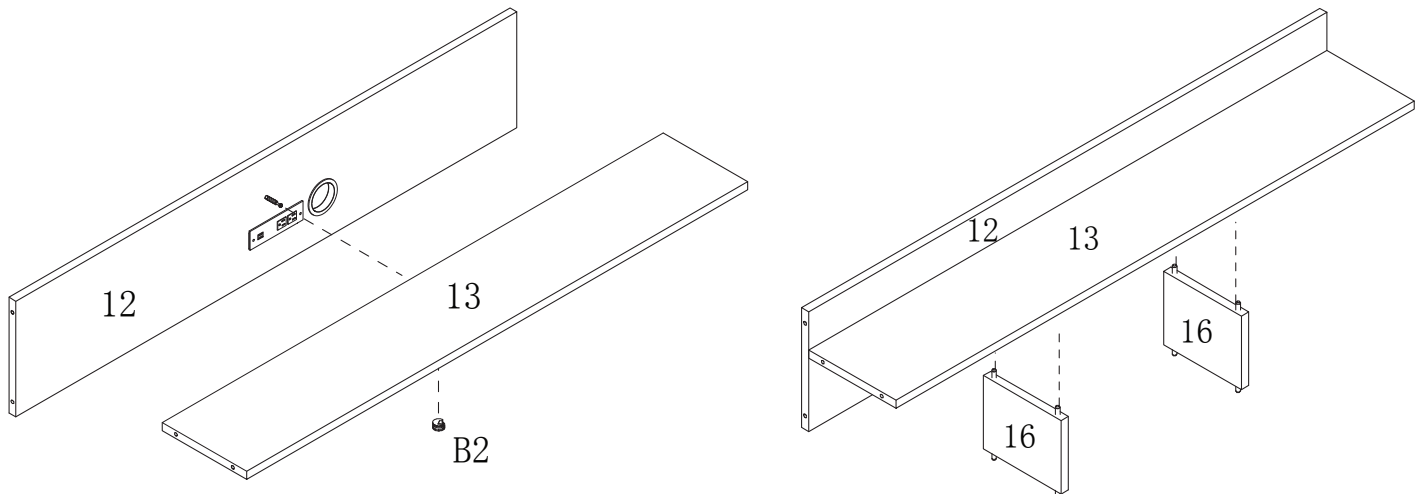
Fix one Bolt (A) to the center of the Hutch Back (12). Insert the Grommet (J) into the round hole.

Insert the USB, Charger Hub (29) into the opening and fasten it with two Screws (D).



STEP 10

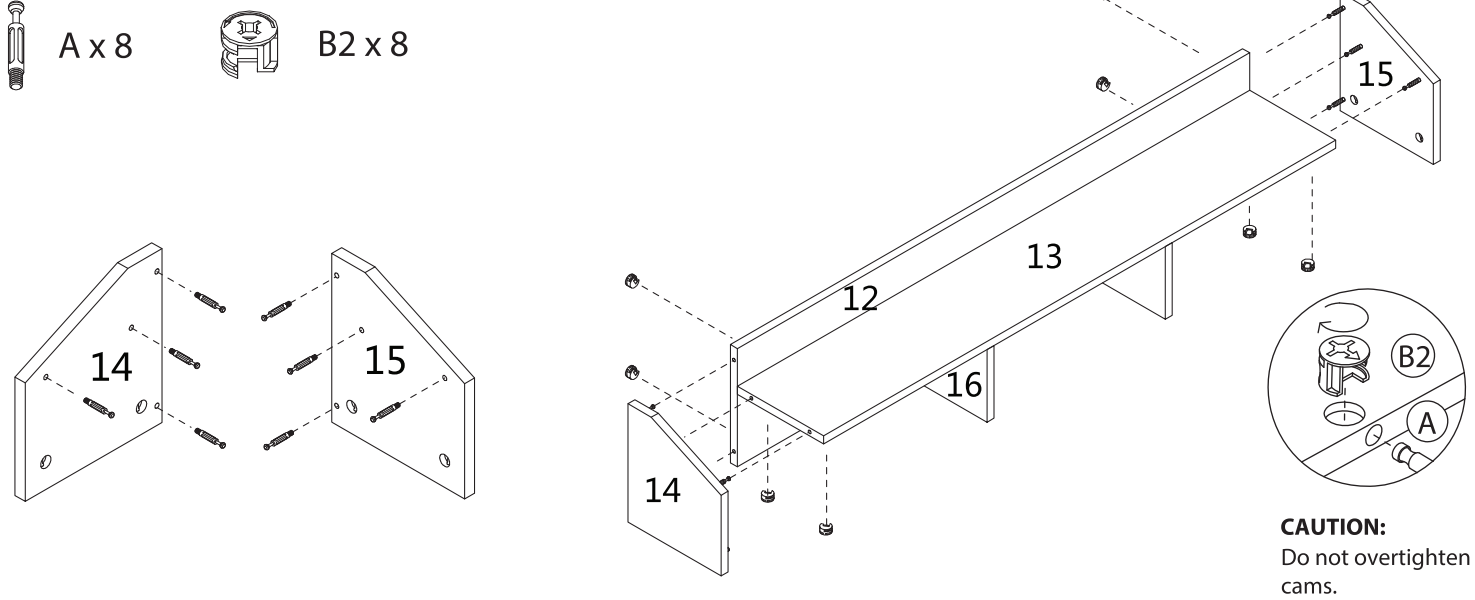
Insert a Small Cam (B2) into the Hutch Shelf (13). Attach the Hutch Back (12) to the Hutch Shelf by inserting the Bolt and tightening the Cam. Attach the two Hutch Center Boards (16) to the underside of the Shelf (13) by aligning the Dowels with the holes and pressing the boards together until tight.



ASSEMBLY INSTRUCTIONS (50-161705)

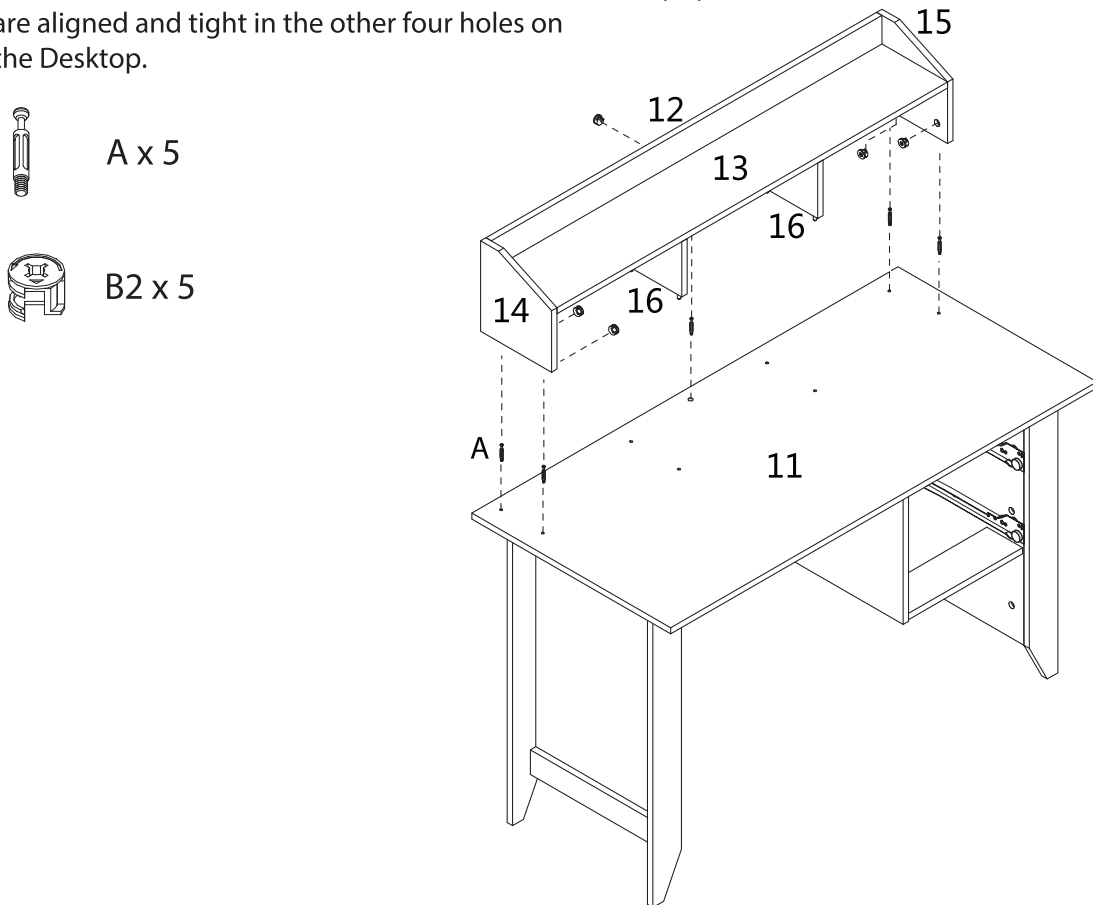
STEP 11

Fix eight Bolts (A) to the Hutch Right (15) and Left (14) Boards. Insert eight Small Cams (B2) into the Hutch Back (12) and Hutch Shelf (13). Attach the Right and Left Boards to the Back and the Shelf by inserting the Bolts and tightening the Cams.



STEP 12

Fix five Bolts (A) to the Desktop (11). Insert five Small Cams (B2) into the Hutch Right Board (15), Hutch Left Board (14), and Hutch Back (12). Attach the Hutch to the Desktop by lowering it onto the Bolts and tightening the Cams. At the same time, make sure that the Dowels in the Hutch Center Boards (16) are aligned and tight in the other four holes on the Desktop.



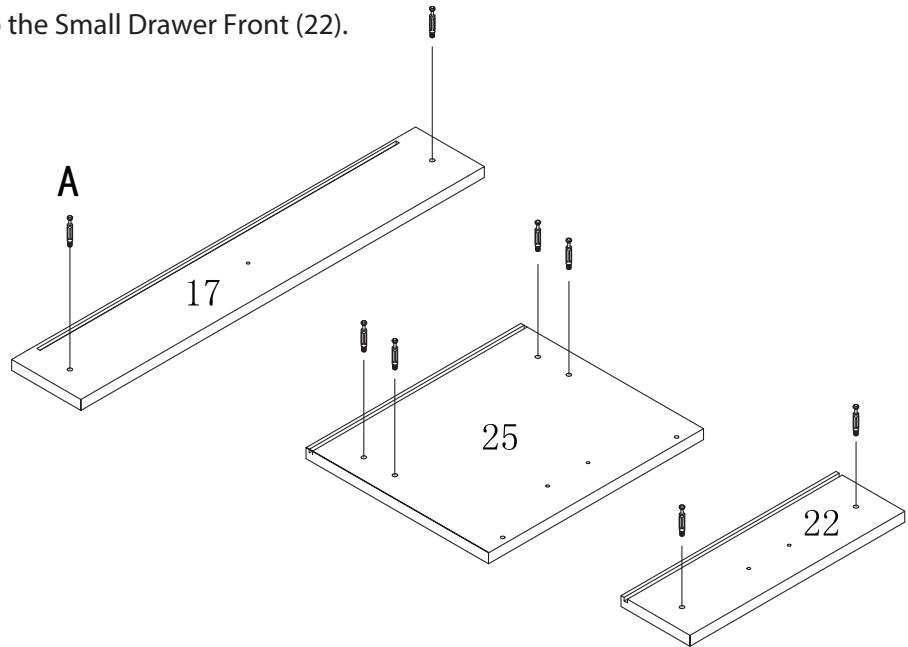
ASSEMBLY INSTRUCTIONS (50-161705)

STEP 13

Fix two Bolts (A) to the Medium Drawer Front (17), four Bolts to the Large Drawer Front (25), and two Bolts to the Small Drawer Front (22).



A x 8



STEP 14

Insert one Small Cam (B2) into the Drawer Right Board (19) and one into the Drawer Left Board (18). Making sure the grooves are aligned, attach the Medium Drawer Front (17) to the Right and Left Boards by inserting the Bolts and tightening the Cams.

Slide Drawer Bottom A (21) into the grooves. Align the groove in the Medium Drawer Back (20) with the Drawer Bottom and fasten it to the Right (19) and Left (18) Drawer Boards using four Screws (E).

Attach the Small Handle (H) to the Drawer Front (17) using one Screw (F2).



B2 x 2



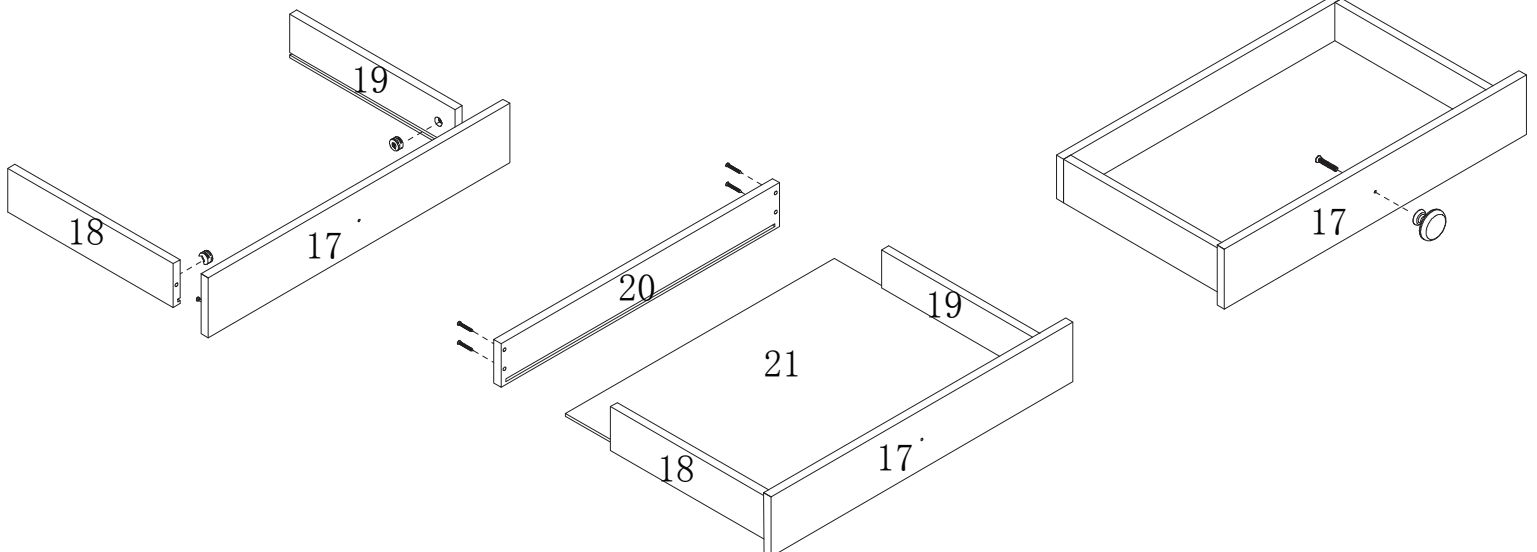
E x 4



H x 1



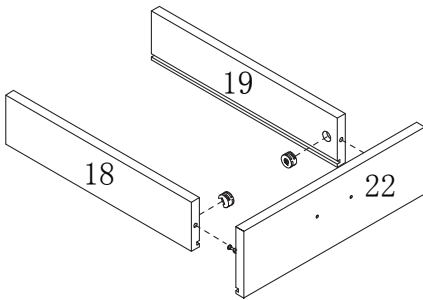
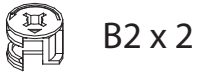
F2 x 1



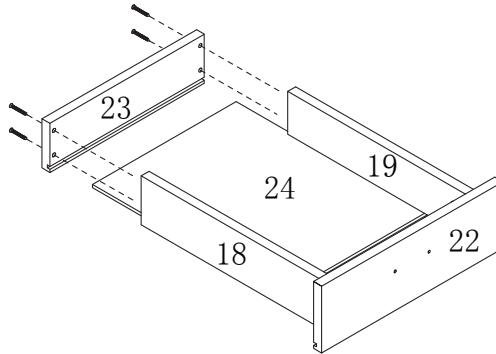
ASSEMBLY INSTRUCTIONS (50-161705)

STEP 15

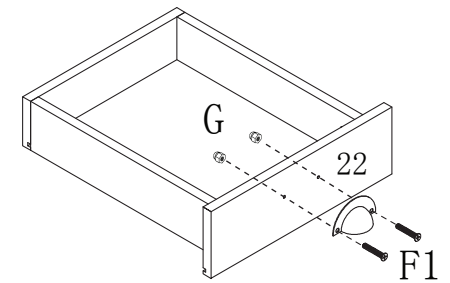
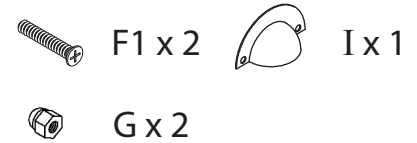
Insert one Small Cam (B2) into the Drawer Right Board (19) and one into the Drawer Left Board (18). Making sure the grooves are aligned, attach the Small Drawer Front (22) to the Right and Left Boards by inserting the Bolts and tightening the Cams.



Slide Drawer Bottom B (24) into the grooves. Align the groove in the Small Drawer Back (23) with the Drawer Bottom and fasten it to the Right (19) and Left (18) Boards using four Screws (E).



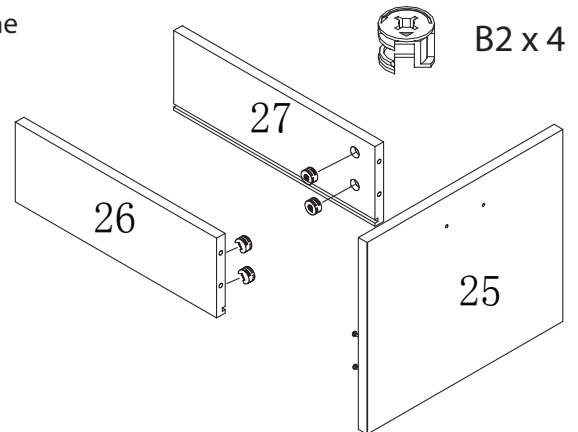
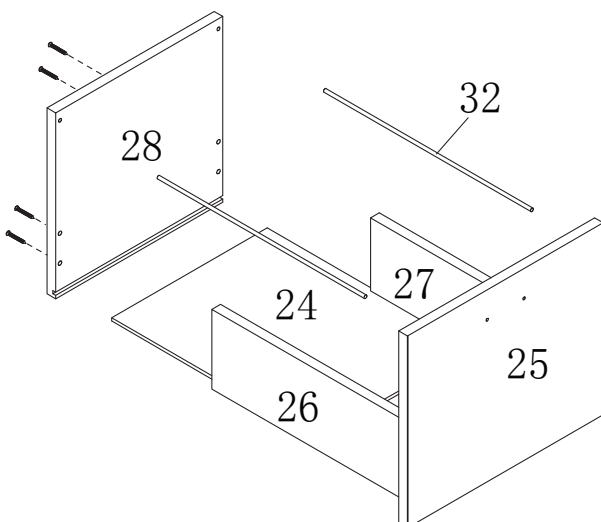
Attach a Large Handle (I) to the Drawer Front (22) using two Screws (F1) with two Nuts (G).



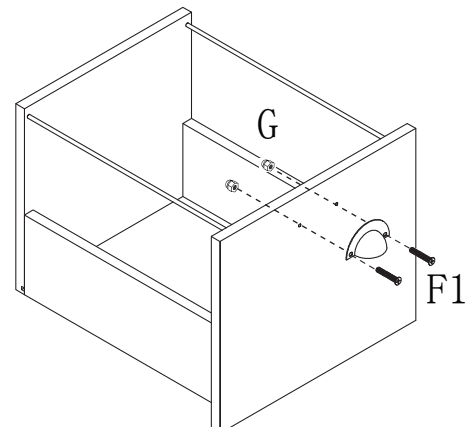
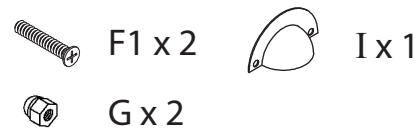
STEP 16

Insert two Small Cams (B2) into the Large Drawer Right (27) and two into the Large Drawer Left (26). Making sure the grooves are aligned, attach the Large Drawer Front (25) to the Right and Left Boards by inserting the Bolts and tightening the Cams.

Slide Drawer Bottom B (24) into the grooves. Align the groove in the Large Drawer Back (28) with the Drawer Bottom and fasten it to the Right (27) and Left (26) Boards using four Screws (E). At the same time, insert the File Holders (32) into the holes at the top of the Front and Back Boards.



Attach a Large Handle (I) to the Drawer Front (22) using two Screws (F1) with two Nuts (G).



ASSEMBLY INSTRUCTIONS (50-161705)

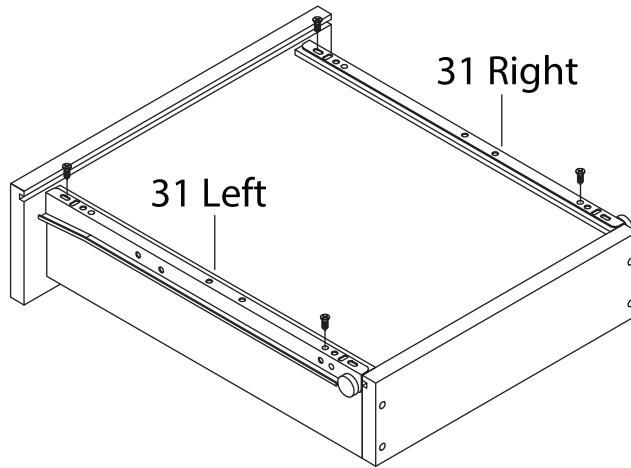
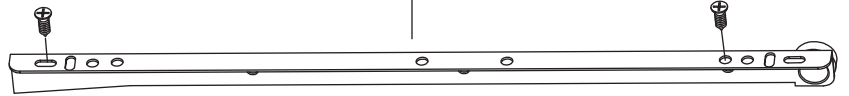
STEP 17

Flip over the assembled drawer and attach a Right Inner Roller (31) and Left Inner Roller (31) with four Screws (D). The wheels should be at the back of the drawer. Use the outer holes for the screws as shown in the drawing.

Repeat this step for the other two drawers.

 D x 12

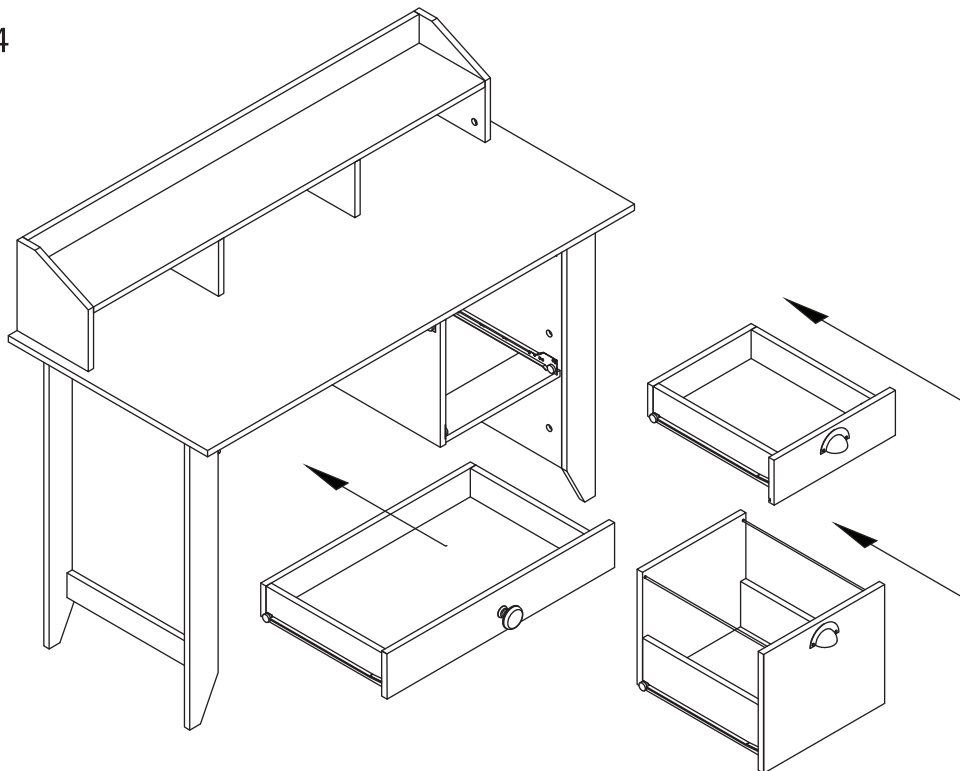
31 Right



STEP 18

Align the inner and outer rollers and insert the drawers. Place the Stickers (K) over the exposed Cams.

 K x 24



SAFETY AND MAINTENANCE

- DO NOT stand on the desk. Do not use the desk as a stepladder.
- DO NOT use the desk unless all bolts and screws are firmly secured.
- Every 6 months, check all bolts and screws to ensure they are tight.
- This product is California 93120 Compliant for Formaldehyde.

LIMITED WARRANTY

PLEASE VISIT WWW.COMFORTPRODUCTS.NET FOR WARRANTY INFORMATION

Comfort Products warrants this product to be free from defects in material and workmanship for one (1) year. This warranty is made by Comfort Products only to the original end-user customer acquiring the product directly from Comfort Products' authorized dealers as shown by the original sales receipt. The end-user customer remedy pursuant to this warranty is limited to repair or replacement of parts at Comfort Products' option within a reasonable amount of time. Comfort Products reserves the right to require damaged parts to be returned to Comfort Products upon request. Consent from Comfort Products must be obtained before any warranty work is performed. This warranty applies under conditions of normal use and is not subject to defects caused by improper assembly or disassembly; defects occurring after purchase due to product modification, intentional damage, fire, misuse, negligence, or exposure to the elements; labor or assembly cost. This warranty does not cover the cost of transportation or labor. In no event shall Comfort Products be liable in either tort or contract for any loss or direct, special, incidental, consequential or exemplary damages. This Limited Warranty is NOT applicable to end-user customers who use Comfort Products for rental purposes. This warranty applies only to end-user customers in the United States. All warranties are limited to the original purchaser for normal use. The weight capacity of the desktop is 132 pounds, the weight capacity of the drawers is 20 pounds, and the weight capacity of the hutch is 22 pounds. For claims or questions concerning this warranty, please visit: www.comfortproducts.net or email us at: customerservice@comfortproducts.net

MODEL: 50-161705

Comfort Products, Inc.
122 Gayoso Avenue, Suite 101
Memphis, TN 38103
www.comfortproducts.net
email: customerservice@comfortproducts.net



OneSpace™

OneSpace is a Trademark of Comfort Products, Inc.