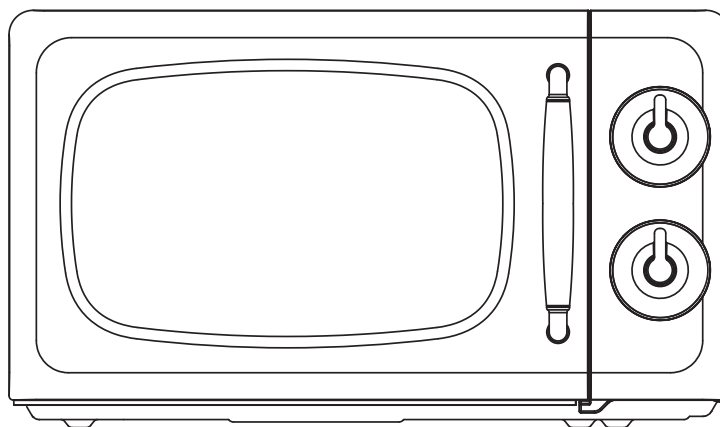




**Magic Chef®**

# **0.7 Cu. Ft. Countertop Microwave Oven**

*User's Manual*



**Model MCD770CW / MCD770CM / MCD770CR**

**PLEASE READ THIS MANUAL CAREFULLY BEFORE USING YOUR  
MICROWAVE OVEN AND KEEP IT FOR FUTURE REFERENCE.**



## Product Registration

Thank you for purchasing a Magic Chef product. The first step to protect your new product is to complete the product registration on our website: [www.mcappliance.com/register](http://www.mcappliance.com/register). The benefits of registering your product include the following:

1. Registering your product will allow us to contact you regarding a safety notification or product update.
2. Registering your product will allow for more efficient warranty service processing when warranty service is required.
3. Registering your product could act as your proof of purchase in the event of insurance loss.

Once again, thank you for purchasing a Magic Chef product.

## PRECAUTIONS TO AVOID POSSIBLE EXPOSURE TO EXCESSIVE MICROWAVE ENERGY

- (a) **Do not attempt to operate this oven with the door open** since open-door operation can result in harmful exposure to microwave energy. It is important not to defeat or tamper with the safety interlocks.
- (b) **Do not place any object** between the oven front face and the door or allow soil or cleaner residue to accumulate on sealing surfaces.
- (c) **Do not operate the oven if it is damaged.** It is particularly important that the oven door close properly and that there is no damage to the: (1) door (bent), (2) hinges and latches (broken or loosened), (3) door seals and sealing surfaces.
- (d) The oven should not be adjusted or repaired by anyone except properly qualified service personnel.

## TABLE OF CONTENTS

- PRECAUTIONS TO AVOID POSSIBLE EXPOSURE TO EXCESSIVE MICROWAVE ENERGY ..... 1
- IMPORTANT SAFETY INSTRUCTIONS.....2
- FEDERAL COMMUNICATIONS COMMISSION RADIO FREQUENCY INTERFERENCE STATEMENT...3
- GROUNDING INSTRUCTIONS .....3
- INSTALLATION .....4
- SPECIFICATIONS.....5
- FEATURES DIAGRAM .....6
- OPERATION PROCEDURE .....7
- CARE OF YOUR MICROWAVE OVEN.....8
- CARE AND CLEANING .....9
- QUESTIONS AND ANSWERS .....10
- COOKING INSTRUCTIONS.....11
- USE YOUR MICROWAVE OVEN SAFELY .....12
- ARCING .....12
- MICROWAVING PRINCIPLES.....13
- HOW MICROWAVES COOK FOOD .....13
- CONVERSION CHARTS.....13
- COOKING TECHNIQUES .....14
- DEFROSTING GUIDE .....15
- COOKING & REHEATING CHART .....16
- VEGETABLE CHART .....17
- RECIPES.....18

# IMPORTANT SAFETY INSTRUCTIONS

When using electrical appliances basic safety precautions should be followed, including the following:

**WARNING-To reduce the risk of burns, electric shock, fire, injury to persons or exposure to excessive microwave energy:**

1. Read all instructions before using the appliance.
2. Read and follow the specific "PRECAUTIONS TO AVOID POSSIBLE EXPOSURE TO EXCESSIVE MICROWAVE ENERGY" found on page 1.
3. This appliance must be grounded. Connect only to properly grounded outlet. See "GROUNDING INSTRUCTIONS" found on page 3.
4. Install or locate this appliance only in accordance with the provided installation instructions.
5. Some products such as whole eggs and sealed containers - for example, closed glass jars are able to explode and should not be heated in this oven.
6. Use this appliance only for its intended use as described in this manual. Do not use corrosive chemicals or vapors in this appliance. This type of oven is specifically designed to heat, cook, or dry food. It is not designed for industrial or laboratory use.
7. As with any appliance, close supervision is necessary when used by children.
8. Do not operate this appliance if it has a damaged cord or plug, if it is not working properly, or if it has been damaged or dropped.
9. This appliance should be serviced only by qualified service personnel.  
Contact nearest authorized service facility for examination, repair or adjustment.
10. Do not cover or block any openings on the appliance.
11. Do not store this appliance outdoors. Do not use this product near water — for example, near a kitchen sink, in a wet basement, near a swimming pool, or similar locations.
12. Do not immerse cord or plug in water.
13. Keep cord away from heated surfaces.
14. Do not let cord hang over edge of table or counter.
15. Either.
  - a) When cleaning surfaces of door and oven that comes together on closing the door, use only mild, non-abrasive soaps or detergents applied with a sponge or soft cloth., or
  - b) See door surface cleaning instructions on page 5.
16. To reduce the risk of fire in the oven cavity:
  - a) Do not overcook food. Carefully attend appliance when paper, plastic, or other combustible materials are placed inside the oven to facilitate cooking.
  - b) Remove wire twist-ties from paper or plastic bags before placing bag in oven.
  - c) If materials inside the oven ignite, keep oven door closed, turn oven off, and disconnect the power cord, or shut off power at the fuse or circuit breaker panel.
  - d) Do not use the cavity for storage purposes. Do not leave paper products, cooking utensils, or food in the cavity when not in use.
17. Liquids, such as water, coffee, or tea are able to be overheated beyond the boiling point without appearing to be boiling due to surface tension of the liquid. Visible bubbling or boiling when the container is removed from the microwave oven is not always present. **THIS COULD RESULT IN VERY HOT LIQUIDS SUDDENLY BOILING OVER WHEN A SPOON OR OTHER UTENSIL IS INSERTED INTO THE LIQUID.**  
**To reduce the risk of injury to persons:**
  - a) Do not overheat the liquid.
  - b) Stir the liquid both before and halfway through heating it.
  - c) Do not use straight-sided containers with narrow necks.
  - d) After heating, allow the container to stand in the microwave oven for a short time before removing the container.
  - e) Use extreme care when inserting a spoon or other utensil into the container.
18. Do not use this microwave oven to heat corrosive chemicals (for example, sulfides and chlorides). Vapors from such corrosive chemicals may interact with the contact and springs of the safety interlock switches thereby rendering them inoperable.
19. Keep the waveguide cover clean at all times. Wipe the oven interior with a soft damp cloth after each use. If you leave grease or fat anywhere in the cavity it may overheat, smoke or even catch fire when next using the oven.
20. Never heat oil or fat for deep frying as you cannot control the temperature and doing so may lead to overheating and fire.
21. Do not operate the oven without the glass tray in place. Be sure it is properly sitting on the rotating base.

**SAVE THESE INSTRUCTIONS**

# FEDERAL COMMUNICATIONS COMMISSION RADIO FREQUENCY INTERFERENCE STATEMENT

**WARNING:**

This equipment generates and uses ISM frequency energy and if not installed and used properly, that is in strict accordance with the manufacturer's instructions, may cause interference to radio and television reception.

It has been type-tested and found to comply with limits for an ISM Equipment pursuant to part 18 of FCC Rules, which are designed to provide reasonable protection against such interference in a residential installation.

However, there is no guarantee that interference will not occur in a particular installation.

If this equipment does cause interference to radio or television reception, which can be determined by turning the equipment off and on, the user is encouraged to try to correct the interference by one or more of the followings.

- Reorient the receiving antenna of radio or television.
- Relocate the Microwave oven with respect to the receiver.
- Move the microwave oven away from the receiver.
- Plug the microwave oven into a different outlet so that microwave oven and receiver are on different branch circuits.

THE MANUFACTURER is not responsible for any radio or TV interference caused by UNAUTHORIZED MODIFICATION to this microwave oven. It is the responsibility of the user to correct such interference.

## GROUNDING INSTRUCTIONS

This appliance must be grounded. In the event of an electrical short circuit, the grounding plug reduces the risk of electric shock by providing an escape wire for electric current. This appliance is equipped with a cord having a grounding wire with a grounding plug. The plug must be plugged into an outlet that is properly installed and grounded.

**WARNING:**

Improper use of the grounding can result in a risk of electric shock.

Consult a qualified electrician or serviceman if the grounding instructions are not completely understood, or if doubt exists as to whether the appliance is properly grounded, and either :

- (1) If it is necessary to use an extension cord, use only a 3-wire extension cord that has a 3-blade grounding plug, and a 3-slot receptacle that will accept the plug on the appliance. The marked rating of the extension cord shall be equal to or greater than the electrical rating of the appliance.  
or
- (2) Do not use an extension cord, if the power supply cord is too short, have a qualified electrician or serviceman install an outlet near the appliance.

**WARNING:**

Do not cut or remove the third (ground) prong from the power cord under any circumstances.

# INSTALLATION

## 1. Examine the oven after unpacking.

Check for damage such as a misaligned door, broken door or dent in the cavity. If any damage is visible, DO NOT INSTALL, and notify your dealer immediately.

## 2. Level, flat location.

Install the microwave oven on a level, flat surface.

## 3. Ventilation.

Do not block air vents. If they are blocked during operation, the oven may overheat and eventually cause a failure.

allow above 4 inches of space between oven sides, rear and the minimum height of free space necessary above the top surface of the oven is 8 inches.

## 4. Away from radio and TV sets.

Poor television reception and radio interference may result if the oven is located close to a TV, radio, antenna, feeder, etc.

Place the oven as far from them as possible.

## 5. Away from heating appliances and water taps.

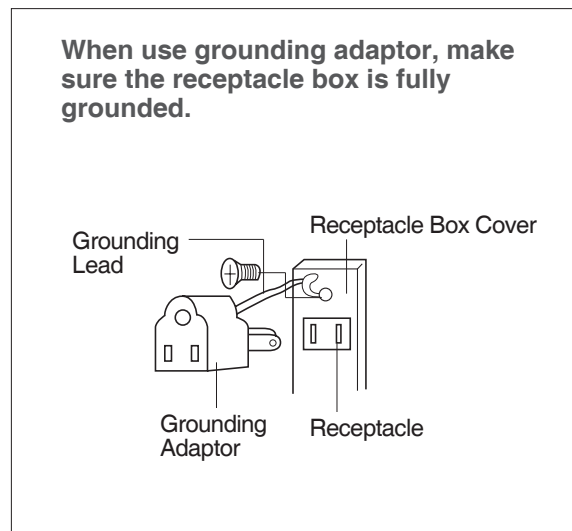
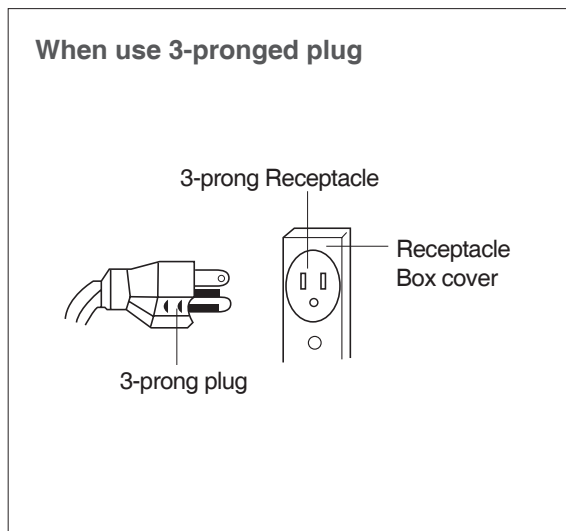
Keep the oven away from heat, steam or splashing liquids. These things can adversely affect oven wiring and contacts.

## 6. Power supply.

- Check your local power source.

This microwave oven requires a current of approximately 11 amperes, 120Volts, 60Hz grounded outlet.

1. A short power-supply cord is provided to reduce the risks resulting from becoming entangled in or tripping over a longer cord.
2. Longer cord sets or extension cords are available and may be used if care is exercised in their use.
3. If a long cord or extension cord is used:
  - The marked electrical rating of the cord set or extension cord should be at least as great as the electrical rating of the appliance.
  - The extension cord must be a grounding type 3-wire cord.
  - The longer cord should be arranged so that it will not drape over the counter top or tabletop where it can be pulled on by children or tripped over unintentionally.

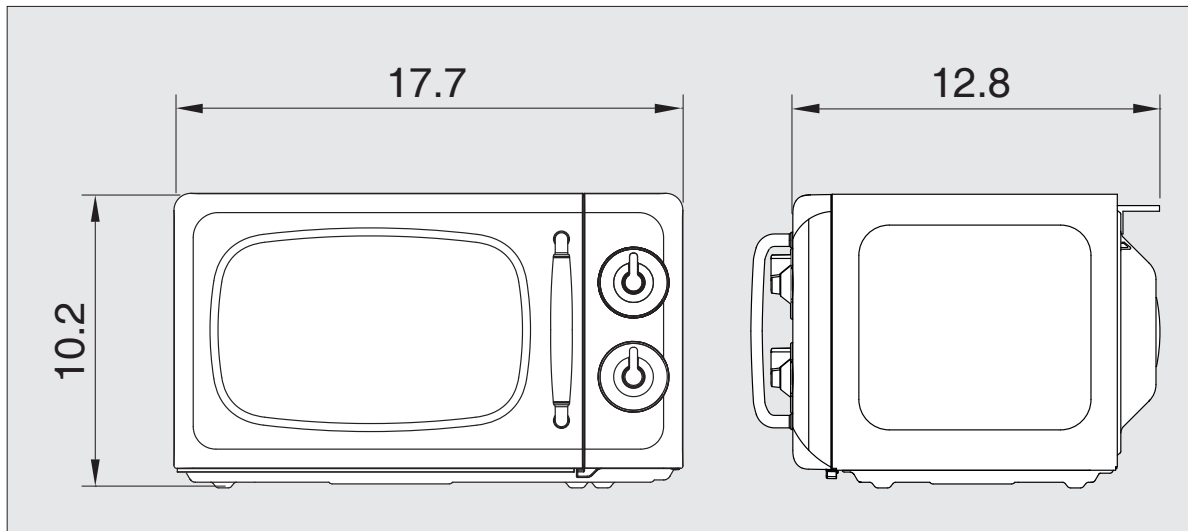


“THE CANADIAN ELECTRICAL CODE DOES NOT ALLOW THE USE OF THE GROUNDING ADAPTOR”

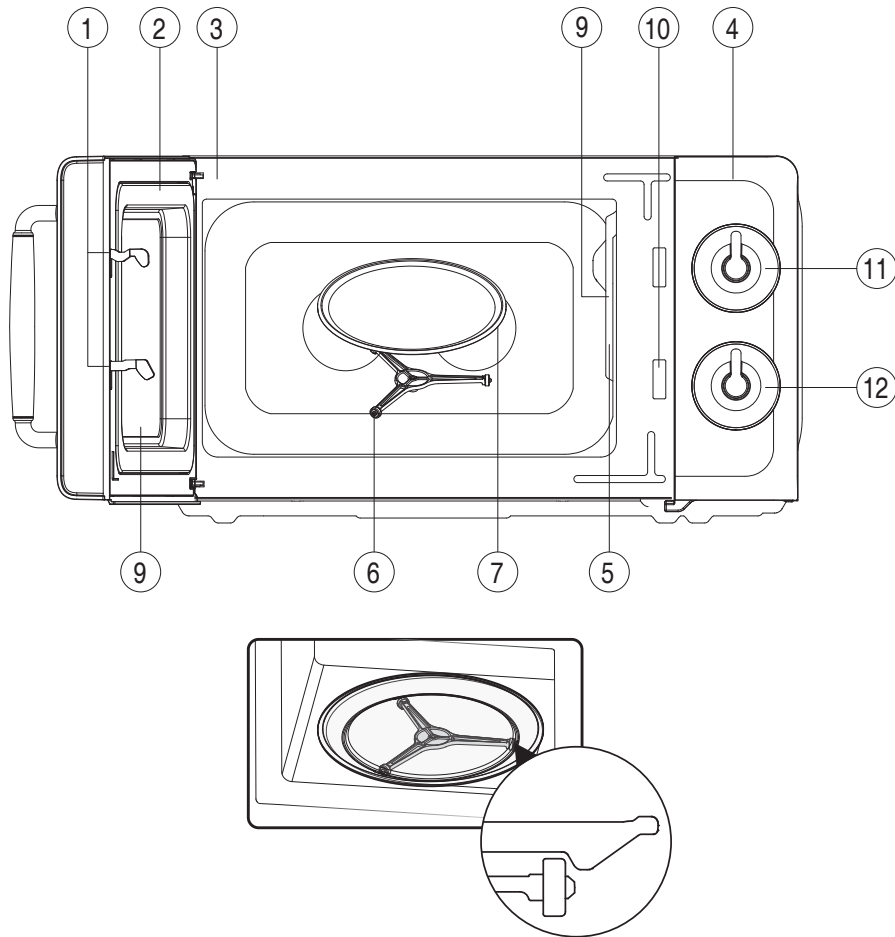
# SPECIFICATIONS

POWER SUPPLY		120V AC, 60Hz SINGLE PHASE WITH GROUNDING
MICROWAVE	INPUT POWER	1100 W
	ENERGY OUTPUT	700 W
	FREQUENCY	2,450MHz
OUTSIDE DIMENSIONS (W x H x D)		17.7 x 10.2 x 12.8 in.
CAVITY DIMENSIONS (W x H x D)		12.1 x 8.3 x 12.0 in.
CAVITY VOLUME		0.7 cu.ft
NET WEIGHT		APPROX. 19.2 lbs.
TIMER		35 min.
POWER SELECTIONS		7 Levels

\* Specifications are subject to change without notice.



# FEATURES DIAGRAM



- ① **Door latch** - Latches on when the door is closed. If the door is opened while the oven is operating, the magnetron will automatically shut off.
- ② **Door seal** - The door seal prevents microwaves escaping from the oven cavity.
- ③ **Oven cavity**
- ④ **Control panel**
- ⑤ **Oven lamp** - Automatically turns on during oven operating.
- ⑥ **Roller guide** - This must always be used for cooking together with the glass cooking tray.
- ⑦ **Glass cooking tray** - Made of special heat resistant glass. The tray must always be in proper position before operating. Do not cook food directly on the tray and allows food to rotate for even cooking.
- ⑧ **Viewing screen** - Allows viewing of food. The screen is designed so that light can pass through, but not the microwave.
- ⑨ **Waveguide cover** - Protects the microwave outlet from splashes of cooking foods.
- ⑩ **Safety interlock system**
- ⑪ **Variable power control knob** - Used to select a microwave power level.
- ⑫ **Timer knob** - Used in setting cooking time for all functions.



# OPERATION PROCEDURE

This section includes useful information about oven operation.

1. Plug power supply cord into 120V AC 60Hz power outlet.
2. After placing the food in a suitable container, open the oven door and put it on the glass tray. The glass tray and roller guide must always be in place during cooking.
3. Close the door. Make sure that it is firmly closed. The oven door can be opened at any time during operation by pushing the door open button. The oven will automatically shut off.
4. Set the variable power control knob to the desired power level.

SYMBOL	POWER LEVEL	OUTPUT POWER
		700W
I	Gentle heating	120W
II	Heat	180W
✕△	Defrost	270W
IV	Low stage	390W
V	Medium	500W
VI	Medium high	610W
VII	High	700W

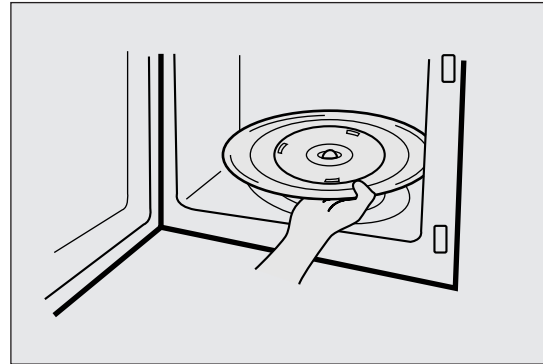
5. Set the operating time by turning the timer knob to the desired cook time and the microwave cooking starts.
  - If setting the timer control for less than 2 minutes, turn it past 2 minutes and then back to the desired time.
6. Microwave energy will be turned off automatically when the timer knob reaches "OFF". Then food can be taken out of the oven.
  - To prevent the oven from operating with the door open, your microwave oven is fitted with safety door interlock switches.
  - If you wish to inspect the food while it is cooking simply open the door. The oven will automatically stop cooking. To continue cooking, you simply close the door.
  - If you wish to stop cooking, simply turn the timer knob to the "OFF" position. Cooking can be reset at any time during the cooking cycle by turning the timer control.
  - Do not let the timer continue to operate after removing or when there is no food.

# CARE OF YOUR MICROWAVE OVEN

The oven should be cleaned regularly and any food deposits removed.

Failure to maintain the oven in a clean condition could lead to deterioration of the surface that could adversely affect the life of the appliance and possibly result in a hazardous situation.

- 1 Turn the oven off before cleaning.
- 2 Keep the inside of the oven clean. When food spatters or spilled liquids adhere to oven walls, wipe with a damp cloth. Mild detergent may be used if the oven gets very dirty. The use of harsh detergent or abrasives is not recommended.
- 3 The outside oven surface should be cleaned with soap and water, rinsed and dried with a soft cloth. To prevent damage to the operating parts inside the oven, water should not be allowed to seep into the ventilation openings.
- 4 If the Control Panel becomes wet, clean with a soft, dry cloth. Do not use harsh detergents or abrasives on Control Panel.
- 5 If steam accumulates inside or around the outside of the oven door, wipe with a soft cloth. This may occur when the microwave oven is operated under high humidity conditions and in no way indicates malfunction of the unit.
- 6 It is occasionally necessary to remove the glass tray for cleaning. Wash the tray in warm sudsy water or in a dishwasher.
- 7 The roller guide and oven cavity floor should be cleaned regularly to avoid excessive noise. Simply wipe the bottom surface of the oven with mild detergent water or window cleaner and dry. The roller guide may be washed in mild sudsy water.

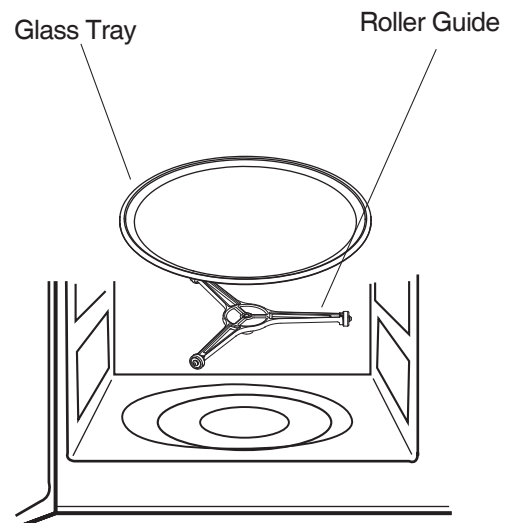


## ROLLER GUIDE

- 1 The ROLLER GUIDE and oven floor should be cleaned frequently to prevent excessive noise.
- 2 The ROLLER GUIDE MUST ALWAYS be used for cooking together with the Glass Tray.

## GLASS TRAY

- 1 DO NOT operate the oven without the Glass Tray in place.
- 2 DO NOT use any other Glass Tray with this oven.
- 3 If Glass Tray is hot, ALLOW TO COOL before cleaning or placing it in water.
- 4 DO NOT cook directly on the Glass Tray. (Except for popcorn)



# CARE AND CLEANING

Although your oven is provided with safety features, it is important to observe the following:

1. It is important not to defeat or tamper with safety interlocks.
2. Do not place any object between the oven front face and the door or allow residue to accumulate on sealing surfaces. Wipe the sealing area frequently with a mild detergent, rinse and dry. Never use abrasive powders or pads.
3. When opened, the door must not be subjected to strain, for example, a child hanging on an opened door or any load could cause the oven to fall forward to cause injury and also damage to the door. Do not operate the oven if it is damaged, until it has been repaired by a competent service technician. It is particularly important that the oven closes properly and that there is no damage to the:
  - i) Door(bent)
  - ii) Hinges and Hooks(broken or loosened)
  - iii) Door seals and sealing surfaces.
4. The oven should not be adjusted or repaired by anyone except a properly competent service technician.
5. The oven should be cleaned regularly and any food deposits removed;
6. Failure to maintain the oven in a clean condition could lead to deterioration of the surface that could adversely affect the life of the appliance and possibly result in a hazardous situation.

## QUESTIONS AND ANSWERS

**\* Q : I accidentally ran my microwave oven without any food in it. Is it damaged?**

\* A : Running the oven empty for a short time will not damage the oven. However, it is not recommended.

**\* Q : Can the oven be used with the glass tray or roller guide removed?**

\* A : No. Both the glass tray and roller guide must always be used in the oven before cooking.

**\* Q : Can I open the door when the oven is operating?**

\* A : The door can be opened anytime during the cooking operation. Then microwave energy will be instantly switched off and the time setting will maintain until the door is closed.

**\* Q : Why do I have moisture in my microwave oven after cooking?**

\* A : The moisture on the side of your microwave oven is normal. It is caused by steam from cooking food hitting the cool oven surface.

**\* Q : Does microwave energy pass through the viewing screen in the door?**

\* A : No. The metal screen bounces back the energy to the oven cavity. The holes are made to allow light to pass through. They do not let microwave energy pass through.

**\* Q : Why do eggs sometimes pop?**

\* A : When baking or poaching eggs, the yolk may pop due to steam build-up inside the yolk membrane. To prevent this, simply pierce the yolk with a toothpick before cooking. Never cook eggs without piercing their shells.

**\* Q : Why this standing time recommended after the cooking operation has been completed?**

\* A : Standing time is very important. With microwave cooking, the heat is in the food, not in the oven. Many foods build up enough internal heat to allow the cooking process to continue, even after the food is removed from the oven. Standing time for joints of meat, large vegetables and cakes is to allow the inside to cook completely, without overcooking the outside.

**\* Q : What does "standing time" mean?**

\* A : "Standing time" means that food should be removed from the oven and covered for additional time to allow it to finish cooking. This frees the oven for other cooking.

**\* Q : Why does my oven not always cook as fast as the microwave cooking guide says?**

\* A : Check your cooking guide again, to make sure you've followed directions exactly ; and to see what might cause variations in cooking time. Cooking guide times and heat settings are suggestions, to help prevent over-cooking... the most common problem in getting used to a microwave oven. Variations in the size, shape and weights and dimensions could require longer cooking time. Use your own judgement along with the cooking guide suggestions to check whether the food has been properly cooked just as you would do with a conventional cooker.

**\* Q : Will the microwave oven be damaged if it operates while empty?**

\* A : Yes. Never run it empty.

**\* Q : Can I operate my microwave oven without the turntable or turn the turntable over to hold a large dish?**

\* A : No. If you remove or turn over the turntable, you will get poor cooking results. Dishes used in your oven must fit on the turntable.

**\* Q : Is it normal for the turntable to turn in either direction?**

\* A : Yes. The turntable rotates clockwise or counterclockwise, depending on the rotation of the motor when the cooking cycle begins.

**\* Q : Can I pop popcorn in my microwave oven? How do I get the best results?**

\* A : Yes. Pop packaged microwave popcorn following manufacture's guidelines. Do not use regular paper bags. Use the "listening test" by stopping the oven as soon as the popping slows to a "pop" every 1 or 2 seconds. Do not repop unpopped kernels. Do not pop popcorn in glass cookware.

# COOKING INSTRUCTIONS

## Utensil Guide

Only use utensils that are suitable for use in microwave ovens.

To cook food in the microwave oven, the microwaves must be able to penetrate the food, without being reflected or absorbed by the dish used. Care must therefore be taken choosing the utensil. If the utensil is marked microwave-safe, you do not need to worry. The following table lists various of utensil and indicates whether and how they should be used in a microwave oven.

Utensil	Safe	Comments
<b>Aluminium foil</b>	▲	Can be used in small quantities to protect areas against overcooking. Arcing can occur if the foil is too close to the oven wall or if too much foil is used.
<b>Crust plate</b>	●	Do not preheat for more than 8minutes.
<b>China and earthenware</b>	●	Porcelain, pottery, glazed earthenware and bone china are usually suitable, unless deco-rated with a metal trim.
<b>Disposable polyester cardboard dishes</b>	●	Some frozen foods are packaged in these dishes.
<b>Fast-food packaging</b> • Polystyrene cups containers  • Paper bags or newspaper • Recycled paper or metal trims	●  × ×	Can be used to warm food. Overheating may cause the polystyrene to melt. May catch fire. May cause arcing.
<b>Glassware</b> • Oven-to-table ware • Fine glassware  • Glass jars	● ● ●	Can be used, unless decorated with a metal trim. Can be used to warm foods or liquids. Delicate glass may break or crack if heated suddenly. Must remove the lid. Suitable for warming only.
<b>Metal</b> • Dishes • Freezer bag twist ties	× ×	May cause arcing or fire.
<b>Paper</b> • Plates, cups, napkins and Kitchen paper • Recycled paper	● ×	For short cooking times and warming. Also to absorb excess moisture. May cause arcing.
<b>Plastic</b> • Containers  • Cling film  • Freezer bags	●  ●  ▲	Particularly if heat-resistant thermoplastic. Some other plastics may warp or discolour at high temperatures. Do not use Melamine plastic. Can be used to retain moisture. Should not touch the food. Take care when removing the film as hot steam will escape. Only if boilable or oven-proof. Should not be airtight. Prick with a fork, if necessary.
<b>Wax or grease-proof paper</b>	●	Can be used to retain moisture and prevent spattering.

- : Recommended use
- ▲ : Limited Use
- × : Not Recommended

# USE YOUR MICROWAVE OVEN SAFELY

## General Use

Do not attempt to defeat or tamper with safety interlocks.

Do not place any object between the oven front frame and the door or allow residue to build up on sealing surfaces. Wipe with a mild detergent, rinse and dry. Never use abrasive powders or pads.

Do not subject the oven door to strain or weight such as a child hanging on an open door.

This could cause the oven to fall forward resulting in injury to you and damage to the oven.

Do not operate the oven if door seals or sealing

surfaces are damaged; or if door is bent; or if hinges are loose or broken.

Do not operate the oven empty. This will damage the oven.

Do not attempt to dry clothes, newspapers or other materials in the oven. They may catch on fire.

Do not use recycled paper products as they may contain impurities which may cause sparks or fires.

Do not hit or strike the control panel with hard objects. This can damage the oven.

## Food

Never use your microwave oven for home canning. The oven is not designed for proper home canning. Improperly canned food may spoil and be dangerous to consume.

Always use the minimum recipe cooking time. It is better to undercook rather than overcook foods.

Undercooked foods can be returned to the oven for more cooking. If food is overcooked, nothing can be done.

Heat small quantities of food or foods with low moisture carefully. These can quickly dry out, burn or catch on fire.

Do not heat eggs in the shell. Pressure may build up and eggs can explode.

Potatoes, apples, egg yolks and sausages are examples of food with non-porous skins.

These must be pierced before cooking to prevent bursting.

Do not attempt to deep fat fry in your microwave oven.

Always allow a standing time of at least 20 seconds after the oven has been switched off to allow the

temperature to even out, stir during heating, if necessary, and ALWAYS stir after heating. To prevent eruptive boiling and possible scalding, you should put a spoon or glass stick into the beverages and stir before, during and after heating.

Do not leave the oven unattended while popping corn.

Do not pop corn in a paper bag unless it is the commercially prepared Microwave Popcorn product.

The kernels can overheat and ignite a brown paper bag.

Do not put packaged Microwave Popcorn bags directly on the oven tray. Place the package on a microwave safe glass or ceramic plate to avoid overheating and cracking the oven tray.

Do not exceed the Microwave Popcorn manufacturers suggested popping time.

Longer popping does not yield more popcorn but it can result in scorch, burn or fire. Remember, the Popcorn bag and tray can be too hot to handle.

Remove with caution and use pot holders.

## ARCING

*If you see arcing, touch the **STOP/CLEAR** pad and correct the problem.*

Arcing is the microwave term for sparks in the oven.

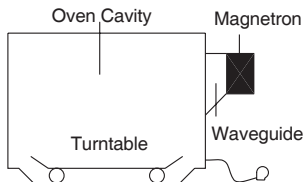
Arcing is caused by:

- Metal or foil touching the side of the oven.
- Foil not molded to food (upturned edges act like antennas).
- Metal, such as twist-ties, poultry pins, or gold rimmed dishes, in the microwave.
- Recycled paper towels containing small metal pieces being used in the microwave.
- Dirt or grease on waveguide cover.

# MICROWAVING PRINCIPLES

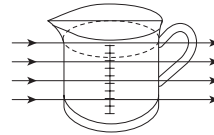
Microwave energy has been used in this country to cook and reheat food since early experiments with RADAR in World War II. Microwaves are present in the atmosphere all the time, both naturally and manmade sources. Manmade sources include radar, radio, television, telecommunication links and car phones.

## HOW MICROWAVES COOK FOOD



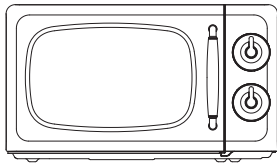
In a microwave oven, electricity is converted into microwave by the **MAGNETRON**.

### ►TRANSMISSION



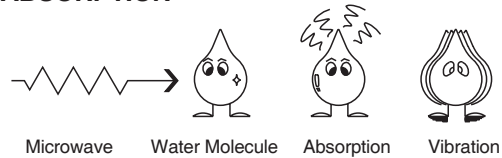
Then they pass through the cooking containers to be absorbed by the water molecules in the food, all foods contain water to a more or lesser extent.

### ►REFLECTION



The microwaves bounce off the metal walls and the metal door screen.

### ►ABSORPTION



The microwaves cause the water molecules to vibrate which causes **FRICTION**, i.e. **HEAT**. This heat then cooks the food. Microwaves are also attracted to fat and sugar particles, and foods high in these will cook more quickly. Microwaves can only penetrate to a depth of 4-5cm and as heat spreads through the food by conduction, just as in a traditional oven, the food cooks from the outside inwards.

## CONVERSION CHARTS

WEIGHT MEASURES	
15 g	½ oz.
25 g	1 oz.
50 g	2 oz.
100 g	4 oz.
175 g	6 oz.
225 g	8 oz.
450 g	1 g.

VOLUME MEASURES	
30 ml	1 fl.oz.
100 ml	3 fl.oz.
150 ml	5 fl.oz. (¼ pt)
300 ml	10 fl.oz. (½ pt)
600 ml	20 fl.oz. (1pt)

SPOON MEASURES	
1.25 ml	¼ tsp
2.5 ml	½ tsp
5 ml	1 tsp
15 ml	1 tbsp

FLUID MEASUREMENTS		
1 Cup	= 8 fl.oz.	= 240 ml
1 Pint	= 16 fl.oz. (UK 20 fl.oz.)	= 480 ml (UK 560 ml)
1 Quart	= 32 fl.oz. (UK 40 fl.oz.)	= 960 ml (UK 1120 ml)
1 Gallon	= 128 fl.oz. (UK 160 fl.oz.)	= 3840 ml (UK 4500 ml)

# COOKING TECHNIQUES

## STANDING TIME

Dense foods e.g. meat, jacket potatoes and cakes, require standing time(inside or outside of the oven) after cooking, to allow heat to finish conducting to cook the center completely. Wrap meat joints and jacket potatoes in aluminium foil while standing. Meat joints need approx. 10-15 minutes, jacket potatoes 5 minutes. Other foods such as plated meal, vegetables, fish etc require 2-5 minutes standing. After defrosting food, standing time should also be allowed. If food is not cooked after standing time, return to the oven and cook for additional time.

## MOISTURE CONTENT

Many fresh foods e.g. vegetables and fruit, vary in their moisture content throughout the season, particularly jacket potatoes. For this reason cooking times may have to be adjusted. Dry ingredients e.g. rice, pasta, can dry out during storage so cooking times may differ.

## DENSITY

Porous airy foods heat more quickly than dense heavy foods.

## CLING FILM

Cling film helps keep the food moist and the trapped steam assists in speeding up cooking times. Pierce before cooking to allow excess steam to escape. Always take care when removing cling film from a dish as the build-up of steam will be very hot.

## SHAPE

Even shapes cook evenly. Food cooks better by microwave when in a round container rather than square.

## SPACING

Foods cook more quickly and evenly if spaced apart. NEVER pile foods on top of each other.

## STARTING TEMPERATURE

The colder the food, the longer it takes to heat up. Food from a fridge takes longer to reheat than food at room temperature.

## LIQUIDS

All liquids must be stirred before and during heating. Water especially must be stirred before and during heating, to avoid eruption. Do not heat liquids that have previously been boiled. DO NOT OVERHEAT.

## TURNING & STIRRING

Some foods require stirring during cooking. Meat and poultry should be turned after half the cooking time.

## ARRANGING

Individual foods e.g. chicken portions or chops, should be placed on a dish so that the thicker parts are towards the outside.

## QUANTITY

Small quantities cook faster than large quantities, also small meals will reheat more quickly than large portions.

## PIERCING

The skin or membrane on some foods will cause steam to build up during cooking. These foods must be pierced or a strip of skin should be peeled off before cooking to allow the steam to escape. Eggs, potatoes, apples, sausages etc, will all need to be pierced before cooking. DO NOT ATTEMPT TO BOIL EGGS IN THEIR SHELLS.

## COVERING

Cover foods with microwave cling film or a lid. Cover fish, vegetables, casseroles, soups. Do not cover cakes, sauces, jacket potatoes or pastry items.



# DEFROSTING GUIDE

- ▶ Do not defrost covered meat. Covering might allow cooking to take place. Always remove outer wrap and tray. Use only containers that are microwave-safe.
- ▶ Begin defrosting whole poultry breast-side-down. Begin defrosting roasts fat-side-down.
- ▶ The shape of the package alters the defrosting time. Shallow rectangular shapes defrost more quickly than a deep block.
- ▶ After  $\frac{1}{3}$  of the defrost time has elapsed, check the food. Toy may wish to turn over, break apart, rearrange or remove thawed portions of the food.
- ▶ During defrost, the oven will prompt you to turn the over. At this point, open oven door and check the food. Follow the techniques listed below for optimum defrost results.  
Then, close oven door, touch the START pad to complete defrosting.
- ▶ When defrosted, food should be cool, but softened in all areas. If still slightly icy, return to microwave oven very briefly, or let stand a few minutes. After defrosting, allow food to stand 5-60 minutes if there are any icy areas.  
Poultry and fish may be placed under running cool water until defrosted
- ⇨ **Turn over** : Roast, ribs, whole poultry, turkey breasts, hot dogs, sausages, steaks, or chops.
- ⇨ **Rearrange** : Break apart or separate steaks, chops, hamburger patties, ground meat, chicken or seafood pieces, chunks of meat such as stew beef.
- ⇨ **Shield** : Use small strips of aluminum foil to protect thin areas or edges of unevenly shaped foods such as chicken wings. To prevent arching, do not allow foil to come within 1-inch of oven walls or door.
- ⇨ **Remove** : To prevent cooking, thawed portions should be removed from the oven at this point. This may shorten defrost time for food weighing less than 3 lbs.(1350g).

## DEFROSTING CHART (by Time Defrost)

Item & Weight	Defrosting Time	Standing Time	Special Techniques
<b>BEEF</b> Mized beef 1 lb./450g	8-10 min.	15-20 min.	Break apart and remove thawed portions with fork.
Stew Meat 1½ lbs./675g	12-14 min.	25-30 min.	Separate and rearrange once.
Loin Roast 2 lbs./900g	17-19 min.	45-60 min.	Turn over after half the time. Shield as needed.
Patties 4 (4 oz..110g )	8-10 min.	15-20 min.	Turn over after half the time.
Loin Roast 2 lbs./900g	17-19 min.	45-60 min.	Turn over after half the time. Shield as needed.
Spareibs 1 lb. 450g	8-10 min.	25-30 min.	Separate and rearrange once.
Chops 4 (5 oz./140g)	9-11 min.	25-30 min.	Separate and turn over once.
Minced 1lb./450g	8-10min.	15-20 min.	Break apart and remove thawed portions with fork.
<b>POULTRY</b> Whole Chicken 2½ lbs./1125g	22-26 min.	45-90 min.	Break side down. Turn over after half the time. Shield as needed.
Chicken Breasts 1lb./450g	9-11 min.	15-30 min.	Separate and rearrange once.
Fryer Chicken (cut up) 2lbs./900g	18-20 min.	25-30 min.	Separate and rearrange once.
Chicken Thighs 1½ lbs./675g	13-16 min.	15-30 min.	Separate and rearrange once.
<b>FISH &amp; SEAFOOD</b> Whole Fish 1lb./450g	6-8 min.	15-20 min.	Turn over after half the time. Shield as needed.
Fish Fillets 1½ lb./675g	11-13 min.	15-20 min.	Separate and turn over once.
Shrimp ½ lb./225g	3-4 min.	10-15 min.	Separate and rearrange once.

\* The times are approximate because freezer temperatures vary.

# COOKING & REHEATING CHART

## Cooking chart

Item	Power Level	Cooking Time Per lb./450g	Special Instruction
<b>MEAT</b>			
Beef joint	-Rare -Medium -well done	MEDIUM MEDIUM MEDIUM	8-10 min. 9-11 min. 11-13 min.
Lamb Joint		HIGH	12-14 min.
Bacon joint		HIGH	8-10 min.
<b>POULTRY</b>			
Whole chicken		HIGH	6-8 min.
Portions chicken		MEDIUM	5-7 min.
Breast (boned)		MEDIUM	6-8 min.
<b>FISH</b>			
Fish Fillets		HIGH	4-6 min.
Whole Mackerel, Cleaned and prepared		HIGH	4-6 min.
Whole Trout, Cleaned & Prepared		HIGH	5-7 min.
Salmon steaks		HIGH	4-6 min.
<p><b>NOTE :</b>                      The above times should be regarded only as a guide. Allow for difference in individual tastes and preferences.                      The times may vary due to the shape, cut, and composition of the food.                      Frozen meat, poultry and fish must be thoroughly thawed before cooking.</p>			

# VEGETABLE CHART

Use a suitable glass Pyrex bowl with lid. Add 30-45ml cold water(2-3 tbsp.) for every 250g unless another water quantity is recommended - see table. Cook covered for the minimum time - see table.

Continue cooking to get the result you prefer. Stir once during and once after cooking. Add salt, herbs or butter after cooking. Cover during a standing time of 3 minutes.

Hint : cut the fresh vegetables into even sized pieces. The smaller they are cut, the quicker they will cook.

All vegetables should be cooked using full microwave power.

## Cooking Guide for fresh vegetables

Vegetables	Weight	Time	Comments
Broccoli	½ lb./250g 1 lb./500g	4-6 min. 6-8 min.	Prepare even sized florets. Arrange the stems to the centre.
Brussels sprouts	½ lb./250g	5-7 min.	Add 60-75ml(5-6tbsp.) water.
Carrots	½ lb./250g	4-6 min.	Cut carrots into even sized slices.
Cauliflower	½ lb./250g 1 lb./500g	4-6 min. 5-7 min.	Prepare even sized florets. Cut big florets into halves. Arrange stems to the centre.
Courgettes	½ lb./250g	4-5 min.	Cut courgettes into slices. Add 30ml(2tbsp.) water or a knob of butter. Cook until just tender.
Egg plants	½ lb./250g	4-5 min.	Cut egg plants into small slices and sprinkle with 1 tablespoon lemon juice.
Leeks	½ lb./250g	4-5 min.	Cut leeks into thick slices.
Mushrooms	0.3 lb./125g ½ lb./250g	2-3 min. 3-5 min.	Prepare small whole or sliced mushrooms. Do not add any water. Sprinkle with lemon juice. Spice with salt and pepper. Drain before serving.
Onions	½ lb./250g	4-5 min.	Cut onions into slices or halves. Add only 15ml(1tbsp.) water.
Pepper	½ lb./250g	4-5 min.	Cut pepper into small slices.
Potatoes	½ lb./250g 1 lb./500g	4-6 min. 7-9 min.	Weigh the peeled potatoes and cut them into similar sized halves or quarters.
Turnip cabbage	½ lb./250g	6-8 min.	Cut turnip cabbage into small cubes.

## Cooking Guide for frozen vegetables

Vegetables	Weight	Time	Instructions
spinach	0.3 lb./125g	3-4 min.	Add 15ml(1 tbsp.) cold water.
broccoli	½ lb./250g	4-6 min.	Add 30ml(2 tbsp.) cold water.
Peas	½ lb./250g	5-6 min.	Add 15ml(1 tbsp.) cold water.
Green beans	½ lb./250g	4-6 min.	Add 30ml(2 tbsp.) cold water.
Mixed vegetables (carrots/peas/corn)	½ lb./250g	4-6 min.	Add 15ml(1tbsp.) cold water.
Mixed vegetables (Chinese style)	½ lb./250g	5-7 min.	Add 15ml(1 tbsp.) cold water.

# RECIPES

## TOMATO & ORANGE SOUP

1 oz.(25g) butter  
1 medium onion, chopped  
1 large carrot & 1 large potato, chopped  
1¾lb(800g) canned, chopped tomatoes  
juice and grated rind of 1 small orange  
1½pints(900ml) hot vegetable stock  
salt and pepper to taste

1. Melt the in a large bowl at High for 1 minute.
2. Add the onion, carrot and potato and cook at High for 6 minutes. stir halfway through cooking.
3. Add the tomatoes, orange juice, orange rind and stock. Mix thoroughly. Season with salt and pepper to taste. Cover the bowl and cook at High for 15 minutes. stir 2-3 times during cooking, until the vegetables are tender.
4. Blend and serve immediately.

## FRENCH ONION SOUP

1 large onions, sliced  
1 tbsp (15ml) corn oil  
2 oz.(50g) plain flour  
2 pints(1.2 liters) hot meat  
or vegetable stock  
salt and pepper to taste  
2 tbsp (30ml) parsley, chopped  
4 thick slices French bread  
2 oz.(50g) cheese, grated

1. Place the onion and oil a bowl, mix well and cook at High for 2 minutes.
2. Stir in the flour to make a paste and gradually add stock. Season and add the parsley.
3. Cover the bowl and cook at Medium for 16 minutes.
4. Pour the soup into serving bowls, submerge bread and sprinkle generously with cheese.
5. Cook at Medium for 2 minutes, until the cheese has melted.

## STIR FRIED VEGETABLES

1 tbsp(15ml) sunflower oil  
2 tbsp (30ml) soy sauce  
1 tbsp (15ml) sherry  
1"(2.5cm) root ginger,  
peeled and finely grated  
2 medium carrots, cut into fine strips  
4 oz.(100g) button mushrooms,  
chopped  
2 oz.(50g) beansprouts  
4 oz.(100g) mange-tout  
1 red pepper, seeded and thinly sliced  
4 spring onions, chopped  
4 oz.(100g) canned water chestnuts,  
sliced  
1/4 head of chinese leaves, thinly sliced

1. Place the oil, soy sauce, sherry, ginger, garlic and carrots in a large bowl, mix thoroughly
2. Cover and cook at High for 4-5 minutes, stirring once.
3. Add the button mushrooms, beansprouts, mange-tout, red pepper, spring onions, water chestnuts and chinese leaves. Mix thoroughly.
4. Cook at High for 4-5 minutes, until the vegetables are tender. Stir 2-3 times during cooking.

***Stir fried vegetables are ideally served with meat or fish.***

## HONEYED CHICKEN

4 boneless chicken breasts  
2 tbsp(30ml) clear honey  
1 tbsp(15ml) whole grain mustard  
½ tsp(2.5ml) dried tarragon  
1 tbsp(15ml) tomato puree  
¼ pint(150ml) chicken stock

1. Place the chicken breasts in a casserole dish.
2. Mix all remaining ingredients together and pour over the chicken. Salt and pepper to taste.
3. Cook at High for 11-12 minutes. Rearrange and coat the chicken with the sauce twice during cooking.

## BLUE CHEESE & CHIVE JACKETS

2 baking potatoes,  
(approx.9 oz.(250g) each)  
2 oz.(50g) butter  
4 oz.(100g) blue cheese, chopped  
1 tbsp(15ml) fresh chives, chopped  
2 oz.(50g) mushrooms, sliced  
salt and pepper to taste

1. Prick each potato in several places. Cook at High for 10-11 minutes. Halve and scoop the flesh into a bowl, add the butter, cheese, chives, mushrooms, salt and pepper, mix thoroughly.
2. Pile mixture into the potato skins and place in a flan dish, on the rack.
3. Cook at Medium for 10 minutes.

## WHITE SAUCE

1 oz.(25g) butter  
1 oz.(25g) plain flour  
½ pint(300ml) milk  
salt and pepper to taste

1. Place the butter in a bowl and cook at High for 1 minute, until melted.
2. Stir in the flour and whisk in the milk. Cook at High for 3-4 minutes, stirring every 2 minutes until thick and smooth. Season with salt and pepper to taste.

## STRAWBERRY JAM

1½ lb.(675g) strawberries, hulled  
3 tbsp(45ml) lemon juice  
1½ lb.(675g) caster sugar

1. Place strawberries and lemon juice in a very large bowl, heat at High for 5 minutes, or until the fruit has softened. Add sugar, mix well.
2. Cook at Medium for 25-30 minutes, until setting point\*is reached, stir every 4-5 minutes.
3. Pour into hot, clean jars. Cover, seal and label.

*\* setting point : To determine setting point, place 1 tsp(5ml)jam onto chilled saucer. Allow to stand for 1 minute. Move surface of jam gently with your finger, if the surface wrinkles setting point has been reached.*

## PLAIN MICROWAVE CAKE

4 oz.(100g) margarine  
4 oz.(100g) sugar  
1 eggs  
4 oz.(100g) self raising flour, sifted  
2-3 tbsp(30-45ml) milk

1. line the base of 8" (20.4cm) cake dish with grease-proof paper.
2. Cream the margarine and sugar together until light and fluffy. Beat in the eggs and fold in the sifted flour alternately with the milk.
3. Pour into prepared container. Cook at High for 3-4 minutes, until a skewer comes out cleanly.
4. Leave the cake to stand for 5 minutes before turning out.

## OMELETTES

½ oz.(15g) butter  
4 eggs  
6 tbsp(90ml) milk  
salt & pepper

1. Whisk together eggs and milk. Season.
2. Place butter in 10"(26cm) flan dish.  
Cook at High for 1 minute, until melted.  
Coat the dish with the melted butter.
3. Pour omelette mixture into flan dish.  
Cook at High for 2 minutes. whisk mixture and  
cook again at High for 1 minutes.

## SCRAMBLED EGG

½ oz.(15g) butter  
2 eggs  
2 tbsp(30ml) milk  
salt & pepper

1. Melt the butter in a bowl at High for 1 minutes.
2. Add the eggs, milk and seasoning and mix well.
3. Cook at High for 2 minutes, stirring every 30  
seconds.

## SAVORY MINCE

1 small onion, diced  
1 clove garlic, crushed  
1 tsp(5ml) oil  
7 oz.(200g) can chopped tomatoes  
1 tbsp(15ml) tomato puree  
1 tsp(5ml) mixed herbs  
8 oz.(225g) minced beef  
salt and pepper

1. Place onion, garlic and oil in casserole, and cook at  
High for 2 minutes or until soft.
2. Place all other ingredients in casserole. Stir well.
3. Cover and cook at High for 4 minutes then Medium  
for 8-12 minutes or until the meat is cooked.



## Limited Warranty

MC Appliance Corporation warrants each new Microwave Oven to be free from defects in material and workmanship, and agrees to remedy any such defect or to furnish a new part(s), at the company's option, for any part(s) of the unit that have failed during the warranty period. Parts and labor expenses are covered on this unit for a period of one year from the date of purchase. A copy of the dated sales receipt or invoice is required to receive warranty service by an authorized service agent.

In addition, MC Appliance Corporation warrants the magnetron (parts only) to be free from defects in material and workmanship for a period of eight years.

The consumer is responsible for all labor and transportation expenses related to the diagnosis and replacement of the magnetron after the initial one-year warranty expires. In the event the unit requires replacement or refund under the terms of this warranty, the consumer is responsible for all transportation expenses to return the unit to our factory prior to receiving a replacement unit or refund. A copy of the dated sales receipt/invoice is required to receive warranty service, replacement or refund.

This warranty covers appliances in use within the continental United States, Alaska, Hawaii and Puerto Rico. This warranty does not cover the following:

- Damages due to shipping damage or improper installation.
- Damages due to misuse or abuse.
- Content losses due to failure of the unit.
- Inside components such as turntable, roller guide, light bulbs, etc.
- Repairs performed by unauthorized service agents.
- Service calls that do not involve defects in material and workmanship such as instructions on proper use of the product or improper installation.
- Replacement or resetting of house fuses or circuit breakers.
- Failure of this product if used for other purposes than its intended purpose.
- Disposal costs for any failed unit not returned to our factory.
- Any delivery/installation costs incurred as the result of a unit that fails to perform as specified.
- Expenses for travel and transportation for product service if your appliance is located in a remote area where service by an authorized service technician is not available.
- The removal and reinstallation of your appliance if it is installed in an inaccessible location or is not installed in accordance with published installation instructions.
- Refunds for non repairable products are limited to the price paid for the unit per the sales receipt.

### Limitations of Remedies and Exclusions:

Product repair in accordance with the terms herein, is your sole and exclusive remedy under this limited warranty. Any and all implied warranties including merchantability and fitness for a particular purpose are hereby limited to one year or the shortest period allowed by law. MC Appliance Corporation is not liable for incidental or consequential damages and no representative or person is authorized to assume for us any other liability in connection with the sale of this product. Under no circumstances is the consumer permitted to return this unit to the factory without the prior written consent of MC Appliance Corporation.

Some states prohibit the exclusion or limitation of incidental or consequential damages, or limitations on implied warranties. This warranty gives you specific legal rights, and you may also have other rights which vary from state to state.

<b>Model</b>	<b>Parts &amp; Labor</b>	<b>Magnetron (Parts Only)</b>	<b>Type of Service</b>
MCD770CW / MCD770CM / MCD770CR	One Year	Eight Years	Carry In

For Service or Assistance please call 888-775-0202 or visit us on the web at [www.mcappliance.com](http://www.mcappliance.com) to request warranty service or order parts.



**CNA International, Inc. d/b/a MC Appliance Corporation. All rights reserved.  
Magic Chef® logo is a registered trademark of CNA International, Inc.**

**[www.mcappliance.com](http://www.mcappliance.com)**

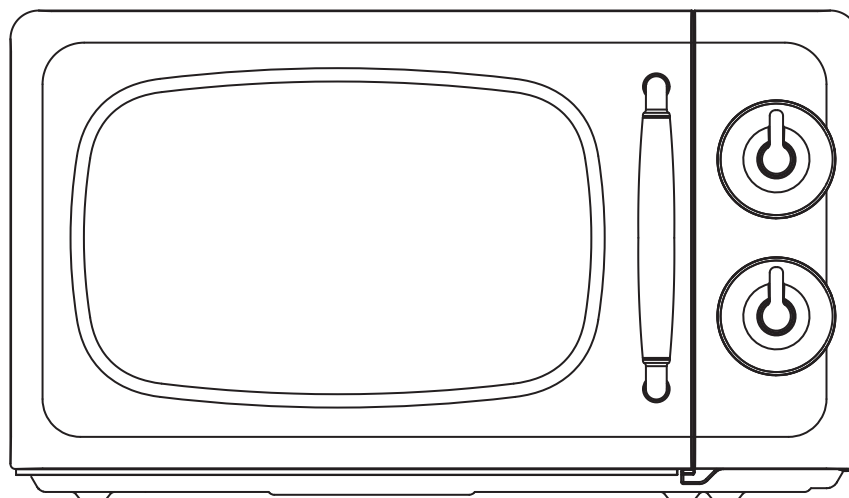
**Printed in China**





# 0.7 Cu. Ft. Encimera horno de microondas

*Manual del usuario*



Model MCD770CW / MCD770CM / MCD770CR

**LEA ESTE MANUAL ANTES DE UTILIZAR SU HORNO DE  
MICROONDAS Y GUÁRDELO PARA FUTURA REFERENCIA.**



## Registración del producto

Gracias por comprar el producto Magic Chef. El primer paso para proteger su nuevo producto es completar la forma de registración en nuestra página web: [www.mcappliance/register](http://www.mcappliance/register). Los beneficios de registrar su producto incluyen lo siguiente:

1. Al registrar su producto nos permite contactarle para notificarle de un cambio de seguridad o actualización del producto.
2. Si llegara a necesitar servicio bajo garantía, registrando su producto nos permite ser más eficiente en procesar el servicio.
3. En el evento que usted tenga una pérdida que esta cubierto por un seguro, registrando su producto puede servir como prueba de su compra.

Una vez más gracias por comprar un producto marca Magic Chef.

## PRECAUCIONES QUE DEBEN TENERSE PARA EVITAR QUEDAR EXPUESTO A LA ENERGIA DIRECTA DE MICROONDAS.

- (a) **No intente operar el horno con la puerta abierta**, ya que la operación en tal condición puede causarle un daño muy grave debido a la exposición directa con la energía de microondas. Es importante no obstruir los orificios de sujeción de los ganchos de seguridad de la puerta.
- (b) **No coloque ningún objeto** entre la puerta y el gabinete tampoco permita la acumulación de grasa e impurezas en los orificios de sujeción de los seguros de la puerta.
- (c) **No opere el horno en caso de estar dañado**. Es particularmente importante que la puerta del horno cierre adecuadamente y que no esté floja, así mismo que las bisagras y los ganchos del seguro de la puerta no estén rotos, retorcidos o flojos. Si así fuese, acuda al centro de servicio autorizado.
- (d) El horno deberá repararse únicamente por el personal de servicio técnico capacitado.

## ÍNDICE

• PRECAUCIONES QUE DEBEN TENERSE PARA EVITAR QUEDAR EXPUESTO A LA ENERGIA DIRECTA DE MICROONDAS .....	1
• INSTRUCCIONES IMPORTANTES DE SEGURIDAD .....	2
• DECLARACIÓN SOBRE INTERFERENCIA DE RADIOFRECUENCIAS DE LA COMISIÓN FEDERAL DE COMUNICACIONES .....	3
• INSTRUCCIONES DE CONEXIÓN A TIERRA .....	3
• INSTALACIÓN .....	4
• DATOS TÉCNICOS .....	5
• DIAGRAMA GENERAL .....	6
• FUNCIONAMIENTO .....	7
• MANTENIMIENTO DEL MICROONDAS .....	8
• ANTES DE LLAMAR AL SERVICIO TÉCNICO .....	9
• CUIDADOS Y LIMPIEZA .....	9
• PREGUNTAS Y RESPUESTAS .....	10
• UTENSILIOS DE COCINA .....	11
• UTILICE EL HORNO MICROONDAS DE UN MODO SEGURO .....	12
• CHISPAS .....	12
• PRINCIPIOS DE LAS MICROONDAS .....	13
• FUNCIONAMIENTO DE LA COCCIÓN POR MICROONDAS .....	13
• TABLAS DE CONVERSIÓN .....	13
• TÉCNICAS DE COCCIÓN .....	14
• GUÍA DE DESCONGELACIÓN .....	15
• TABLA DE COCINADO Y RECALENTADO .....	16
• TABLA DE VERDURAS .....	17
• RECETAS .....	18

# INSTRUCCIONES IMPORTANTES DE SEGURIDAD

Cuando se usan equipos eléctricos deben seguirse ciertas reglas básicas de seguridad, incluyendo lo siguiente:

**ADVERTENCIA - Para reducir el riesgo de quemaduras, electrocución, incendio, daños a personas o exposición excesiva a la energía de microondas:**

1. No utilice el horno para otras funciones que no sean preparar alimentos, como secar ropa, papel u otros elementos que no sean alimentos ni para propósitos de esterilización.
2. No utilice el horno estando vacío, ya que podría dañarlo.
3. No utilice el horno para almacenar elementos como papel, libros de cocina, utensilios de cocina, etc.
4. No utilice el horno sin la bandeja de vidrio en su posición y asegúrese de que está apoyada correctamente en la base giratoria.
5. Asegúrese de quitar las tapas o cubiertas cuando se cocine alimentos almacenados en botellas selladas.
6. No ponga objetos entre la superficie del horno y la puerta, ya que esto podría causar fuga de energía del microondas.
7. No cocine productos con papel reciclado, ya que éste podría contener impurezas que podrían producir chispas y/o incendios.
8. No prepare palomitas de maíz a menos que se haga en un microondas aprobado específicamente para esta función o si las palomitas están envasadas y se recomienda su cocción en microondas. La cocción de palomitas de maíz de microondas tiene un menor rendimiento que los sistemas para cocción de palomitas de maíz tradicionales, por lo que se podrá detectar cierta cantidad de semillas crudas. No utilice aceite a menos que el fabricante lo especifique.
9. No cocine alimentos rodeados por alguna cáscara, como yemas de huevo, papas, hígado de pollo, etc., sin antes perforarlos varias veces con un tenedor.
10. No cocine palomitas de maíz por más tiempo del especificado por el fabricante (este tiempo normalmente es de 3 minutos). Los tiempos de cocción más largos no generan más cantidad de palomitas y pueden causar calcinación y fuego.
11. El sobrecalentamiento puede carbonizar la comida. Asimismo, la bandeja de cocción puede sobrecalentarse y no permitir su manipulación o puede romperse.
12. Si se detecta humo, apague o desenchufe el aparato y déjelo con la puerta cerrada a fin de extinguir la llamas.
13. Cuando caliente alimentos dentro de recipientes plásticos, observe el horno por la posibilidad de ignición.
14. Para evitar quemaduras, los biberones y recipientes de alimentos para bebés deben revolverse o agitarse y se debe revisar la temperatura antes del consumo.
15. Siempre verifique la temperatura de los alimentos o bebidas que han sido calentados en un microondas antes de dárselos a alguien, especialmente a niños pequeños o adultos mayores. Esto es importante, ya que los productos calentados en un microondas se siguen calentando una vez que la cocción ha terminado.
16. En el microondas no se deben calentar huevos con cáscara ni huevos duros enteros, ya que pueden explotar incluso después de terminada la cocción.
17. Siempre mantenga limpia la cubierta de guía de ondas. Limpie el interior con un paño suave y húmedo después de cada uso. Si se deja grasa en el interior, ésta puede recalentarse y generar humo o incluso fuego al volver a utilizar el horno.
18. Nunca caliente aceite, ya que su temperatura no puede controlarse y podría producirse recalentamiento y fuego.  
Instrucciones para prevenir el riesgo de heridas a personas:
  - a) No sobrecaliente los líquidos.
  - b) Revuelva los líquidos antes y mientras se calientan.
  - c) No utilice recipientes de lados rectos con cuellos angostos.
  - d) Deje el recipiente dentro del horno por unos instantes antes de sacarlo.
  - e) Sea muy precavido al meter cucharas u otros utensilios dentro del recipiente.
20. Sólo utilice los utensilios que están disponibles para el uso en hornos microondas.
21. Calentar bebidas en el microondas puede resultar en una ebullición repentina, por lo que se recomienda tener cuidado al manipular el contenedor.
22. Este artefacto está diseñado para ser utilizado en el hogar y aplicaciones similares tales como:
  - áreas de cocina en tiendas, oficinas y otros ambientes laborales;
  - casas de campo;
  - por clientes de hoteles, moteles y otros tipos de ambientes residenciales;
  - ambiente de tipo alojamiento y desayuno.

## GUARDE ESTAS INSTRUCCIONES

# DECLARACIÓN SOBRE INTERFERENCIA DE RADIOFRECUENCIAS DE LA COMISIÓN FEDERAL DE COMUNICACIONES

## ADVERTENCIA:

Este equipo genera y utiliza energía de frecuencia ISM, por lo que si no es instalado y utilizado apropiadamente, conforme a las instrucciones del fabricante, podría causar interferencia en la recepción de la radio y televisión.

Este producto ha sido clasificado y probado; encontrándose que satisface los términos para un equipo ISM, según la sección 18 del reglamento FCC, que está planteada para ofrecer protección apropiada contra aquella interferencia en instalaciones residenciales.

No obstante, no se garantiza que la interferencia no llegue a ocurrir en alguna instalación en particular. Si este equipo ocasiona interferencia en la recepción de radio o televisión, la cual puede suceder al momento de encender o apagar el equipo, entonces será preciso que el usuario intente corregir dicha interferencia mediante alguna de las siguientes indicaciones:

- Reoriente la antena de recepción de radio o televisión.
- Reubique el horno de microondas con respecto al receptor.
- Aleje el horno de microondas del equipo receptor.
- Conecte el horno de microondas en una toma de corriente diferente, de forma que el horno de microondas y el receptor se alimenten de distintos circuitos eléctricos.

EL FABRICANTE no es responsable por cualquier interferencia de radio o TV causada por una MODIFICACION NO AUTORIZADA al horno de microondas.

Es responsabilidad del usuario corregir dicha interferencia.

## INSTRUCCIONES DE CONEXIÓN A TIERRA

Este equipo debe de estar conectado a tierra; ya que en caso de un corto circuito, el cable a tierra reduce el riesgo de sufrir una descarga eléctrica al proporcionar una trayectoria de escape a la corriente eléctrica.

Por lo tanto este aparato está equipado con una clavija polarizada que contiene una terminal para la conexión a tierra, la cual debe de conectarse a un contacto que esté propiamente instalado y conectado a tierra.

## ADVERTENCIA:

La conexión inapropiada a tierra puede ser un factor de riesgo de sufrir una descarga eléctrica.

Consulte a un electricista calificado o al personal de servicio, si las instrucciones de instalación no son completamente entendibles o si existe alguna duda de que el equipo esté conectado adecuadamente a tierra, cuide también:

- (1) Si es necesario utilizar una extensión de corriente, entonces use únicamente extensiones de tres cables, con clavija polarizada con contacto a tierra, y que a su vez el contacto de la extensión se ajuste a la clavija del equipo. La capacidad eléctrica de la extensión debe de ser cuando menos de la misma que la del cable del horno.
- (2) No use una extensión de corriente si el cable suministrado está muy delgado, solicite a un técnico que le instale un contacto cerca del equipo.

## ADVERTENCIA:

No retire la tercera pata (tierra) del cable de alimentación bajo ninguna circunstancia.

# INSTALACIÓN

## 1. Examine el horno después de abrirlo.

Revise que no esté dañado, no tenga abolladuras, que la puerta esté alineada y que la cavidad no esté rayada o abollada. Si existe algún desperfecto visible, NO INSTALE EL HORNO y notifíquelo inmediatamente a su vendedor.

## 2. Superficie regular y estable.

Coloque el microondas sobre una superficie plana y estable.

## 3. Ventilación.

No obstruya las rejillas de ventilación. Si estas son bloqueadas durante la operación, el horno se puede calentar excesivamente y eventualmente tener alguna falla.

Para proporcionarle la adecuada ventilación, mantenga como mínimo

4 inches de espacio entre cualquier costado del horno y el lugar en donde va a instalarse.

## 4. Manténgalo alejado de equipos de radio y televisión.

Una mala recepción de televisión e interferencia en la radio pueden presentarse si el horno está colocado cerca de la TV, radio, antena, etc., Mantenga alejado el horno de microondas de estos equipos lo más que se pueda.

## 5. Manténgalo alejado de equipos generadores de calor y de llaves de agua.

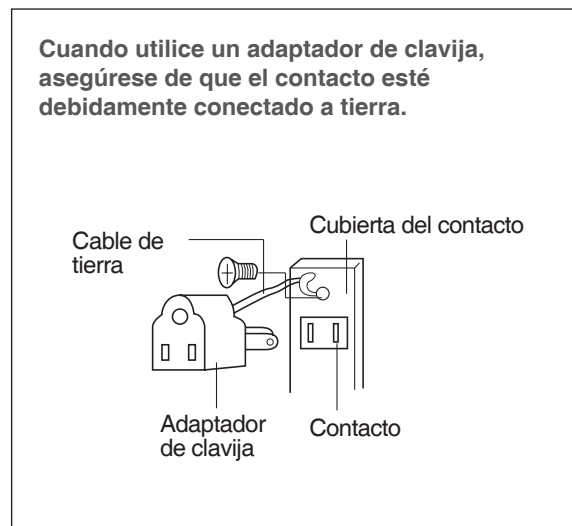
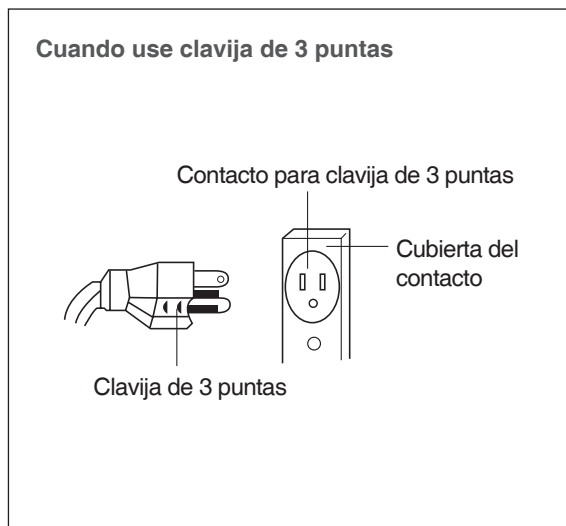
No coloque el equipo en lugares calurosos y húmedos, para prevenir el riesgo de incendio o de sufrir una descarga eléctrica. Asimismo no lo instale cerca de la tarja.

## 6. Suministro de Energía - Revise el voltaje de su domicilio.

Este horno de microondas requiere una corriente aproximada de 11A a 120V~ 60 Hz y con contacto polarizado con conexión a tierra. Este horno tiene suministrado un cable de corriente corto; esto es con la intención de prevenir el riesgo de llegar a enredarse o tropezar con él. Se puede llegar a utilizar juegos de cable más largos o extensiones de corriente, siempre y cuando se tenga el debido cuidado en su uso.

Si se utiliza un cable largo o una extensión, entonces el rango eléctrico del cable (calibre) o de la extensión debe de ser por lo menos del mismo tipo que el usado en el horno.

El cable de extensión debe de ser del tipo de 3 conductores. El cable largo debe de acomodarse de forma que no se pueda producir un accidente, debido al tropezar o enredarse con él y a su vez de no quedar al alcance de los niños.

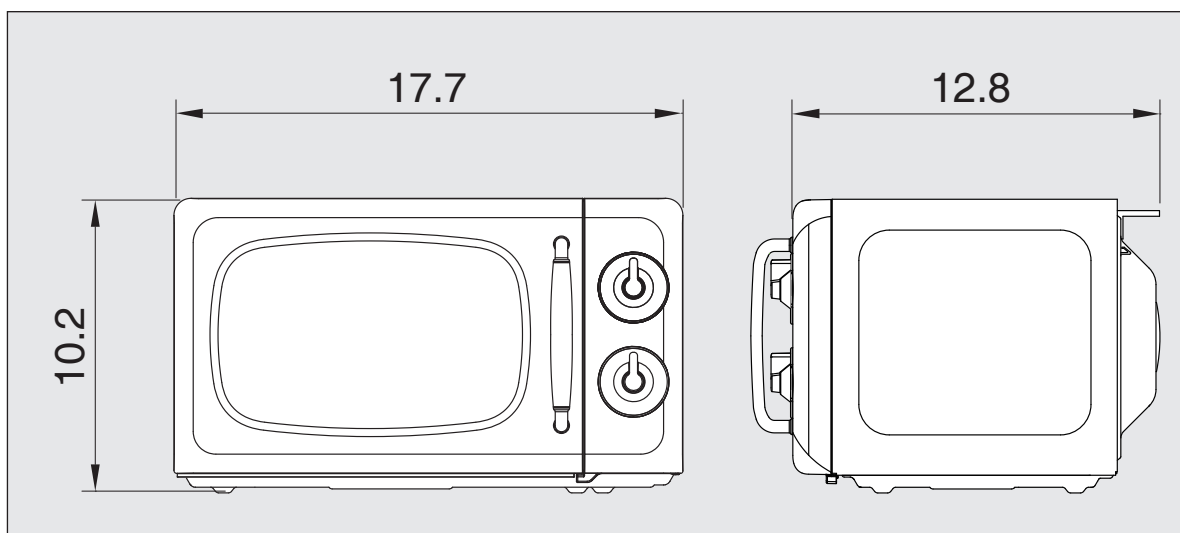


“EL REGLAMENTO ELECTRICICO CANADIENSE NO PERMITE EL USO DE ADAPTADORES DE TIERRA”

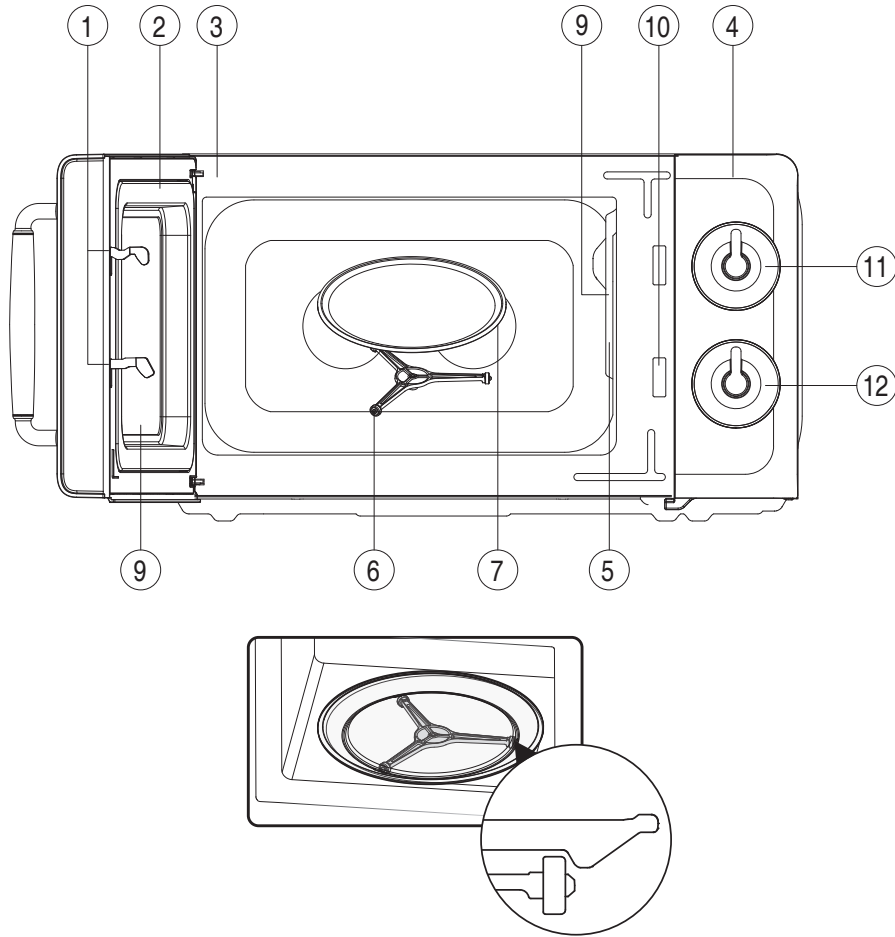
# DATOS TÉCNICOS

ALIMENTACIÓN		120V AC, 60Hz MONOFASICA CON TOMA DE TIERRA
MICROONDAS	CONSUMO DE ENERGÍA	1150 W
	SALIDA DE ENERGÍA	700 W
	FRECUENCIA	2,450MHz
DIMENSIONES EXTERIORES (An x Al x Pr)		17.7 x 10.2 x 12.8 in.
DIMENSIONES DE LA CAVIDAD (An x Al x Pr)		12.1 x 8.3 x 12.0 in.
VOLUMEN DEL INTERIOR DEL HORNO		0.7 cu.ft
PESO NETO		APPROX. 19.2 lbs.
TEMPORIZADOR		35 min.
NIVEL DE POTENCIA MICROONDAS		7 NIVELES

\* Los datos técnicos están sujetos a cambios sin previo aviso.



# DIAGRAMA GENERAL



- ① **Pestillos de bloqueo de la puerta:** encaja automáticamente en los orificios del sistema de cierre de seguridad cuando se cierra la puerta. Si la puerta está abierta mientras el horno está funcionando, el magnetrón se detendrá inmediatamente.
- ② **Cierre hermético de la puerta:** el cierre de la puerta mantiene la energía de microondas en el interior del horno e impide la fuga de microondas.
- ③ **Interior del horno**
- ④ **Panel de control**
- ⑤ **Lámpara de horno** – Automáticamente se enciende cuando el microondas están en funcionamiento.
- ⑥ **Base giratoria:** debe utilizarse siempre para cocinar junto con la bandeja de cristal.
- ⑦ **Bandeja de cristal de cocción** – elaborado con un cristal especial resistente al calor. La bandeja debe estar en una posición correcta antes de poner en función. No cocine directamente la comida en la bandeja.
- ⑧ **Ventana de la puerta:** permite ver los alimentos. La ventana se ha diseñado para dejar pasar la luz, pero no las microondas.
- ⑨ **Cubierta de la guía de ondas:** protege la salida de microondas de las salpicaduras provocadas por la cocción de los alimentos.
- ⑩ **Sistema de cierre de seguridad**
- ⑪ **Perilla de control de energía variable** – usado para seleccionar el nivel de energía del microondas.
- ⑫ **Perilla del temporizador** – usado para ajustar el tiempo de cocción para todas las funciones.



# FUNCIONAMIENTO

Este capítulo contiene información útil sobre el funcionamiento del horno.

1. Conecte la fuente de alimentación a un enchufe de entre 120V-60 Hz.
2. Tras poner la comida en un recipiente adecuado, abra la puerta del horno y ponga el recipiente en la bandeja de cristal. La bandeja de cristal y la guía giratoria tienen que estar siempre bien colocadas durante el funcionamiento del horno.
3. Cierre la puerta. Asegúrese que está debidamente cerrada. Cuando se abre la puerta del horno, se apaga la luz. Para abrir la puerta del horno durante el funcionamiento sólo hay que tirar de ésta. El horno dejará de funcionar automáticamente.
4. Fije la potencia deseada mediante el mando giratorio de control de la potencia.
5. Fije el tiempo mediante el mando giratorio del temporizador y empezará la cocción por microondas.
  - Si desea seleccionar un tiempo inferior a 2 minutos, gire el mando más allá de los 2 minutos y vuelva atrás hasta el tiempo deseado.
6. La energía de microondas cesará automáticamente cuando el temporizador llegue a "OFF". Entonces se puede sacar la comida del microondas.
  - El horno tiene interruptores de seguridad para evitar que funcione con la puerta abierta.
  - Si quiere supervisar la comida mientras se está cocinando, sólo tiene que abrir la puerta. El horno se parará automáticamente. Para continuar cocinando sólo tiene que cerrar la puerta.
  - Si desea detener la cocción, gire el mando del temporizador hasta la posición "OFF". Puede reiniciar la cocción en cualquier momento del ciclo de cocción girando el mando del temporizador.
  - No deje que el horno continúe funcionando cuando ya no haya comida en el interior.

Simbolo	Potencia	Potencia de salida
		700W
I	Calentar suave	120W
II	Calentar	180W
✳	Descongelación	270W
IV	Bajo	390W
V	Medio	500W
VI	Medio Alto	610W
VII	Alto	700W

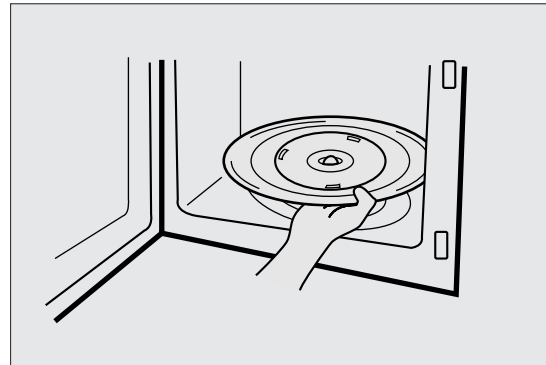
# MANTENIMIENTO DEL MICROONDAS

Limpie y elimine regularmente los restos de alimentos del horno.

De lo contrario, puede tener como resultado el deterioro de la superficie que podría afectar negativamente a la vida útil del producto y, posiblemente, provocar situaciones peligrosas.

- 1 Desconecte el horno antes de limpiarlo.
- 2 Si se adhieren restos de comida o líquidos derramados a las paredes del horno, retírelos con un paño húmedo. Puede utilizar un detergente suave si el horno está muy sucio. No está recomendado el uso de detergentes fuertes o abrasivos.
- 3 La superficie exterior del horno se debería limpiar con agua y jabón, aclarar y secar con un paño suave. Para evitar dañar las piezas interiores del horno, no deje que se infiltre agua a través de las aberturas de ventilación.
- 4 Si el panel de control se moja, límpielo con un paño seco suave. No utilice detergentes fuertes o productos abrasivos sobre en el panel de control.
- 5 Si se acumula vapor dentro o alrededor del exterior de la puerta del horno, límpielo con un paño suave. Esto puede suceder si el horno microondas funciona en condiciones de elevada humedad y no se indica de ningún modo el mal funcionamiento de la unidad.

- 6 De vez en cuando es necesario retirar la bandeja de vidrio para limpiarla. Limpie la bandeja con agua jabonosa caliente o en un lavavajillas. Mantenga limpio el interior del horno.
- 7 Limpie con regularidad la guía de rodillos y el suelo de la cavidad del horno para evitar ruidos excesivos. Limpie la superficie inferior del horno con un detergente suave o limpiacristales y séquela. Puede limpiar la guía de rodillos con agua jabonosa.

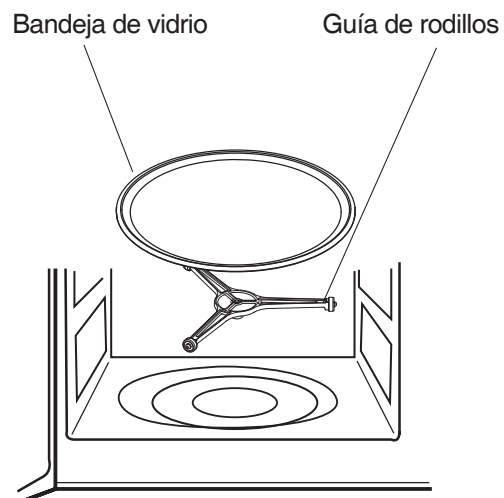


## GUÍA DE RODILLOS

- 1 Limpie con frecuencia la GUÍA DE RODILLOS y el suelo del horno para evitar ruidos excesivos.
- 2 Utilice SIEMPRE la GUÍA DE RODILLOS para cocinar junto con la bandeja de vidrio.

## BANDEJA DE VIDRIO

- 1 NO haga funcionar el horno sin la bandeja de vidrio en su lugar.
- 2 NO utilice ninguna otra bandeja de vidrio con este horno.
- 3 Si la bandeja de vidrio está caliente, DEJE QUE SE ENFRÍE antes de limpiarla o sumergirla en agua.
- 4 NO cocine directamente sobre la bandeja de vidrio.



# ANTES DE LLAMAR AL SERVICIO TÉCNICO

Antes de llamar al servicio técnico, compruebe los siguientes puntos:

## \* El horno no funciona:

1. Compruebe que el cable de alimentación
2. Compruebe que la puerta está firmemente cerrada
3. Compruebe que haya programado el tiempo de cocción.
4. Compruebe que no se ha fundido ningún fusible de circuito o se ha disparado el disyuntor principal en su instalación doméstica

## \* Chispas en la cavidad:

1. Compruebe los utensilios. No use está conectado de forma segura recipientes o platos con elementos metálicos
2. Evite que las brochetas metálicas o el papel de aluminio toquen las paredes interiores.
3. Compruebe si hay suciedad o grasa en la cubierta del guíaondas.

# CUIDADOS Y LIMPIEZA

Aunque el horno dispone de dispositivos de seguridad, es importante observar lo siguiente:

1. Es importante no desactivar ni manipular los elementos del cierre de seguridad.
2. No coloque ningún objeto entre la cara frontal del horno y la puerta, ni permita que se acumulen residuos en las superficies de cierre. Limpie frecuentemente el área de cierre con un detergente suave, aclare y seque. No utilice nunca polvos ni estropajos
3. Cuando abra la puerta, vuelva a cerrarla en seguida. Así evitará que un niño se cuelgue de ella o que cualquier peso pueda hacer que el horno se desequilibre y caiga hacia delante, y cause daños personales y también daños en la puerta. No utilice el horno si está estropeado, hasta que lo haya reparado personal de servicio técnico cualificado. Es especialmente importante que el horno se cierre correctamente y que no existan daños en:
  - i) la puerta (ganchos)
  - ii) bisagras y cierres (rotos o sueltos)
  - iii) juntas de la puerta y superficies de cierre.
4. Sólo personal de servicio técnico cualificado puede ajustar y reparar el horno.
5. Limpie con regularidad el horno y elimine los abrasivos. restos de comida.
6. Si el horno no se mantiene limpio ello podría conllevar el deterioro de la superficie, lo que podría afectar negativamente a la vida útil del aparato y resultar en una situación peligrosa.

# PREGUNTAS Y RESPUESTAS

**\* Q : ¿Por qué a veces los huevos revientan?**

A : Cuando haga o escafe huevos, es posible que la yema del huevo estalle debido a una acumulación de vapor en la membrana. Para evitarlo, perfora la yema con un palillo antes de cocinarlo. Nunca cocine huevos sin perforar la cáscara.

**\* Q : ¿Por qué debe respetarse un tiempo de reposo una vez completado el ciclo de cocción?**

A : El tiempo de reposo es muy importante. Al cocinar con microondas, el calor se produce en los alimentos, no en el horno. Muchos alimentos acumulan calor suficiente para continuar el proceso de cocción, aunque haya sacado el alimento del horno. El tiempo de reposo para carnes, verduras grandes y pasteles es para permitir que su interior se cocine por completo sin que el exterior quede sobrecochado.

**\* Q : ¿Puede estropearse el horno microondas si funciona en vacío?**

A : Sí. Nunca lo haga funcionar en vacío.

**\* Q : ¿Por qué mi horno no siempre cocina tan rápido como dice la guía de cocción del microondas?**

A : Vuelva a comprobar su guía de cocción para asegurarse de que ha seguido con exactitud todas las directrices; y para ver qué podría causar variaciones en el tiempo de cocción. En la guía, los tiempos de cocción y el nivel de potencia son sugerencias que ayudan a evitar una cocción excesiva... el problema más común cuando uno se acostumbra a utilizar un horno microondas. Variaciones en el tamaño, la forma, el peso y las dimensiones pueden requerir tiempos de cocción más prolongados. Use el sentido común junto con las sugerencias de la guía de cocción para comprobar si los alimentos se han cocinado correctamente, del mismo modo que lo harían con una cocina tradicional.

**\* Q : ¿Puedo hacer funcionar mi horno microondas sin el plato giratorio o darle la vuelta para colocar encima un plato grande?**

A : No. Si retira o gira el plato giratorio, obtendrá unos resultados de cocción pobres. Los platos que introduzca en el horno deben ajustarse al plato giratorio.

**\* Q : ¿Es normal que el plato giratorio dé vueltas en cualquier dirección?**

A : Sí. El plato gira en el sentido de las agujas del reloj o en sentido contrario, en función de la rotación del motor cuando se inicia el ciclo de cocción.

**\* Q : ¿Puedo hacer palomitas en el horno microondas? Cómo obtendré los mejores resultados?**

A : Sí. Haga las palomitas envasadas para microondas siguiendo las directrices del fabricante o bien utilice el programa preconfigurado POPCORN. No utilice bolsas normales de papel. Utilice el "test de oída" parando el horno en cuanto el estallido se reduzca hasta un "pop" cada 1 ó 2 segundos. No haga los granos que no se hayan hinchado. No haga las palomitas en un recipiente de cristal.

**\* Q : Accidentalmente he puesto en marcha el horno microondas sin alimentos dentro. ¿Se ha estropeado?**

A : Utilizar el horno vacío por un tiempo breve no lo estropeará. Sin embargo, procure que no suceda.

**\* Q : ¿Se puede utilizar el horno sin la bandeja de vidrio o la guía de rodillos?**

A : No. Coloque siempre la bandeja de vidrio y la guía de rodillos en el horno antes de cocinar.

**\* Q : ¿Puedo abrir la puerta cuando el horno esté en funcionamiento?**

A : La puerta se puede abrir en cualquier momento durante la cocción. Cuando la puerta se abre, la energía de microondas se desconecta automáticamente y el tiempo que se haya establecido se conservará hasta que cierre la puerta y pulse COCCIÓN.

**\* Q : ¿Por qué queda humedad en el horno microondas después de cocinar?**

A : Es normal que se produzca humedad en la parte lateral del horno microondas. La produce el vapor que se genera durante la cocción al entrar en contacto con la superficie fría del horno.

**\* Q : ¿Puede pasar la energía de microondas a través de la rejilla de visión de la puerta?**

A : No. La rejilla metálica de la ventana devuelve la energía a la cavidad del horno. La función de los orificios es permitir que la luz pase a través de ellos, pero no dejan pasar la energía de microondas.

# UTENSILIOS DE COCINA

Utilice únicamente utensilios aptos para hornos microondas.

Para cocinar con microondas, las microondas deben poder penetrar en los alimentos, sin que el plato utilizado las refleje o las absorba. Elija el utensilio con atención. Si el utensilio indica que es a prueba de microondas, no tiene nada de que preocuparse. La tabla siguiente contiene varios utensilios e indica si son aptos y cómo utilizarlos en un horno microondas.

Utensilio	Seguro	Comentarios	
<b>Papel de aluminio</b>	▲	Se puede utilizar en pequeñas cantidades para proteger determinadas zonas del exceso de cocción. Si el papel está demasiado cerca de la pared del horno o si se utiliza en grandes cantidades, pueden producirse arcos eléctricos.	
<b>Bandeja rígida</b>	●	No precalentar más de 8 minutos.	
<b>Cerámica y porcelana</b>	●	La porcelana, la cerámica y la tierra cocida suelen ser aptas si no tienen ribetes metálicos.	
<b>Platos de poliéster desechables</b>	●	Algunos alimentos congelados están embalados en estos platos.	
<b>Contenedores de comida rápida</b> • Vasos de poliestireno	●	Se puede utilizar para calentar alimentos. Si se calienta demasiado, el poliestireno se puede fundir.	
• Bolsas de papel o papel de periódico	×	Puede prender fuego.	
• Papel reciclado o rebordes metálicos	×	Puede provocar chispas.	
<b>Cristal</b> • Utensilios de presentación de platos • Vajilla • Jarrones	● ● ●	Se puede utilizar si no tiene ribetes metálicos. Se puede utilizar para calentar alimentos o bebidas. El cristal delicado se puede romper o agrietar si se calienta repentinamente.	
<b>Metal</b> • Platos • Hilos de alambre para cierre de bolsas	×	×	Hay que quitar la tapa. Sólo apto para calentar. Puede provocar chispas o fuego.
<b>Papel</b> • Platos, vasos, servilletas y papel de cocina • Papel reciclado	● ×	Apto para calentar y para tiempos breves de cocción. También absorbe el exceso de humedad. Puede provocar chispas.	
<b>Plástico</b> • Contenedores	●	Especialmente indicado si es plástico termoresistente. Otros plásticos pueden deformarse o perder color a altas temperaturas. No utilice plástico de melamina.	
• Film adherente	●	Se puede utilizar para retener la humedad. No debe estar en contacto con los alimentos. Hay que ir con cuidado al retirar el film, ya que puede desprenderse vapor muy caliente.	
• Bolsas refrigeradas	▲	Sólo si aguantan agua hirviendo o si son a prueba de microondas. No deben ser herméticas. Pinchar con un tenedor, si es necesario.	
<b>Papel vegetal</b>	●	Se puede utilizar para retener la humedad y evitar las salpicaduras.	

● : Uso recomendado

▲ : Uso limitado

× : No recomendado

# UTILICE EL HORNO MICROONDAS DE UN MODO SEGURO

## Uso general

No fuerce los cierres de seguridad.

No coloque ningún objeto entre la parte frontal del horno y la puerta, ni permita la acumulación de suciedad en las superficies de cierre. Límpielas con un detergente no agresivo, aclárelas y séquelas. No utilice polvos abrasivos ni estropajos. No exponga la puerta del horno a tensiones o pesos como un niño colgándose de una puerta abierta.

Ello podría hacer caer el horno y provocar lesiones personales y daños al horno

No haga funcionar el horno si la puerta o las superficies de cierre están dañadas, si la puerta está doblada o si las bisagras están flojas o rotas.

## Alimentos

No utilice el horno microondas para la preparación de conservas caseras. Este horno no se ha diseñado para hacer conservas como es debido. Una conserva mal hecha puede echar a perder los alimentos y puede representar un peligro para la salud.

Utilice siempre el mínimo tiempo de cocción indicado en las recetas. Es mejor dejar los alimentos poco hechos que aplicar un exceso de cocción. Si los alimentos están poco hechos se pueden volver a poner en el microondas para continuar su preparación. Si los alimentos están demasiado hechos, no tienen solución.

Caliente pequeñas cantidades de alimentos o alimentos con un bajo nivel de humedad cuidadosamente. Pueden secarse rápidamente, requemarse o prender fuego.

No caliente huevos con cáscara. Se puede producir un aumento de la presión en el interior de los huevos y éstos pueden explotar.

Las patatas, las manzanas, las yemas de huevos y las salchichas son ejemplos de alimentos con membranas no porosas.

Dichas membranas deben pincharse antes de su cocción para evitar que exploten.

No intente freír alimentos en abundante aceite en el horno microondas.

Deje siempre un tiempo de reposo de al menos 20 segundos después de que el horno se haya apagado para permitir que la

temperatura se distribuya homogéneamente, remueva durante la cocción si es necesario y SIEMPRE remueva tras la cocción.

Para evitar que se produzca ebullición repentina y le escalde, ponga una cuchara en las bebidas y remueva antes de ponerlas en el microondas, mientras están dentro y una vez están ya fuera.

No utilice productos de papel reciclado, ya que pueden contener impurezas que pueden provocar chispas o fuego. No golpee el panel de control con objetos duros. Podría provocarle daños.

No se aleje del horno cuando haga palomitas. No prepare palomitas en una bolsa de papel que no haya sido especialmente diseñada para preparar palomitas. Los granos de maíz pueden sobrecalentarse y prender fuego a una bolsa de papel normal.

No ponga las bolsas de palomitas para microondas directamente en la bandeja. Coloque las bolsas en una bandeja de cristal o de cerámica resistentes a las microondas para evitar el sobrecalentamiento y el agrietado de la bandeja del horno.

No sobrepase el tiempo de preparación indicado por los productores de las palomitas para microondas. Un mayor tiempo de preparación no produce más palomitas y, en cambio, puede producir chamusquinas, quemaduras o llamas. Recuerde que la bolsa de palomitas y la bandeja pueden estar demasiado calientes para manejarlas. Retire con cuidado y utilice agarradores.

Retire con cuidado y utilice agarradores.

Retire con cuidado y utilice agarradores.

Retire con cuidado y utilice agarradores.

## CHISPAS

*Si observa chispas, abra la puerta y resuelva el problema. "STOP/CLEAR" es el término utilizado en este caso para indicar la presencia de chispas en el interior del horno*

Las chispas se pueden producir porque:

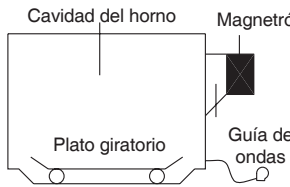
- Hay metales o papel de aluminio en contacto con las paredes laterales del horno.
- El papel de aluminio no se utiliza para envolver alimentos (los bordes doblados hacia arriba actúan como antenas).
- Dentro del microondas hay metales como, por ejemplo, piezas metálicas de cierre, clavos para cocción o platos con bordes dorados.
- Dentro del microondas hay papel reciclado con pequeños trozos metálicos.

# PRINCIPIOS DE LAS MICROONDAS

La energía de microondas se ha utilizado para cocinar y calentar alimentos desde los primeros experimentos con radar en la Segunda Guerra Mundial. La presencia de microondas en la atmósfera se debe a causas naturales y a la actividad humana. Las actividades humanas que generan microondas son, entre otras, el radar, la radio, la televisión, los enlaces de telecomunicaciones y los teléfonos móviles.

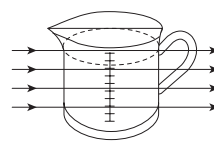
## FUNCIONAMIENTO DE LA COCCIÓN POR MICROONDAS

Este microondas posee un equipamiento que corresponde al grupo 2 ISM, en el que la radiofrecuencia se genera intencionalmente y se utiliza en forma de radiación electromagnética para el tratamiento del material. Este horno posee equipamiento clase B, que es adecuado para su uso en establecimientos domésticos y en establecimientos que estén conectados de forma directa a una red de suministro de baja tensión que suministre energía a edificios con fines domésticos.



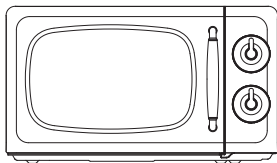
En un horno microondas, la electricidad se convierte en microondas por medio del **MAGNETRÓN**

### ► TRANSMISION



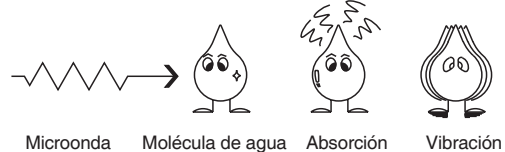
A continuación pasan por los recipientes con alimentos y son absorbidas por las moléculas de agua de los alimentos; todos los alimentos contienen agua en mayor o menor cantidad.

### ► REFLEXION



Las microondas rebotan en las paredes y en la puerta.

### ► ABSORCION



Las microondas hacen que las moléculas de agua vibren y de ese modo provocan **FRICCIÓN**, es decir, **CALOR**. Este calor es el responsable de la cocción de los alimentos. Las microondas también son atraídas por las grasas y los azúcares, por lo que la cocción de los alimentos con altos niveles de dichas sustancias será más rápida. Las microondas sólo pueden penetrar a una profundidad de 4 – 5 cm (1 1/2 - 2 pulgadas). El calor se distribuye en los alimentos por convección, igual que en un horno convencional, por lo que la cocción de los alimentos se realiza desde el exterior hacia el interior

## TABLAS DE CONVERSIÓN

PESOS		VOLÚMENES		CUCHARADAS	
15 g	½ oz.	30 ml	1 fl.oz.	1.25 ml	1/4 cdta
25 g	1 oz.	100 ml	3 fl.oz.	2.5 ml	1/2 cdta
50 g	2 oz.	150 ml	5 fl.oz. (¼ pt)	5 ml	1 cdta
100 g	4 oz.	300 ml	10 fl.oz. (½ pt)	15 ml	1 cdta
175 g	6 oz.	600 ml	20 fl.oz. (1pt)		
225 g	8 oz.				
450 g	1 g.				

MEDIDAS LÍQUIDAS		
1 taza	= 8 fl.oz.	= 240 ml.
1 pinta	= 16 fl.oz. (UK 20 fl.oz.)	= 480 ml (UK 560 ml)
1 cuarto de galón	= 32 fl.oz. (UK 40 fl.oz.)	= 960 ml (UK 1.120 ml)
1 galón	= 128 fl.oz. (UK 160 fl.oz.)	= 3840 ml (UK 4500 ml)

# TÉCNICAS DE COCCIÓN

## TIEMPO DE REPOSO

Los alimentos densos, como, por ejemplo, las patatas asadas o las tortas, necesitan más tiempo de reposo (dentro o fuera del horno) tras la cocción para permitir que el calor se transmita por conducción hasta el centro y termine la cocción. Envuelva los asados de carne o las patatas asadas en papel aluminio durante el tiempo de reposo. Los asados de carne necesitan de 10 a 15 minutos, mientras que las patatas asadas necesitan 5 minutos. Otros alimentos como la carne, la verdura o el pescado preparados necesitan de 2 a 5 minutos de reposo. Tras descongelar los alimentos, déjelos reposar durante un tiempo. Si tras el tiempo de reposo los alimentos no se han cocinado completamente, vuelva a colocarlos en el horno en modo de cocción unos minutos más.

## CONTENIDO DE HUMEDAD

Los alimentos frescos, como frutas y verduras, tienen distintos niveles de humedad a lo largo de la temporada, sobre todo las patatas hervidas. Por ello, los tiempos de cocción varían. Los ingredientes secos, como el arroz o la pasta, pueden secarse durante el almacenamiento, por eso los tiempos de cocción pueden variar.

## DENSIDAD

Los alimentos porosos y esponjosos se calientan más rápido que los alimentos densos y pesados.

## PELÍCULA DE PLÁSTICO

La película de plástico ayuda a mantener la humedad en los alimentos y el vapor retenido en el interior acorta los tiempos de cocción. Haga algunos agujeros en el plástico para permitir la salida del exceso de vapor. Retire el plástico con mucho cuidado, ya que la acumulación de vapor aumenta mucho la temperatura.

## FORMAS

Las formas homogéneas presentan una cocción uniforme. Los alimentos se cocinan mejor en el microondas en recipientes redondos que en recipientes cuadrados.

## SEPARACIÓN

La cocción de los alimentos es más rápida o más homogénea si se colocan separados unos de otros. NO apile los alimentos.

## TEMPERATURA INICIAL

Cuanto más frío esté un alimento, más tardará en calentarse. Los alimentos que están en el frigorífico tardan más en calentarse que los alimentos conservados a temperatura ambiente.

## LÍQUIDOS

Todos los líquidos deben removerse antes de calentarse y mientras se están calentando. En especial, el agua debe removerse antes y durante su calentamiento. No caliente líquidos que previamente se hayan hervido. NO SOBRECALIENTE LOS LÍQUIDOS.

## DAR LA VUELTA Y REMOVER

Algunos alimentos se deben remover durante la cocción. A la mitad del tiempo de cocción hay que dar la vuelta a la carne y las aves.

## DISPOSICIÓN

Los alimentos en porciones, como, por ejemplo, el pollo o el cerdo, deben colocarse en un plato de forma que las partes más gruesas queden en la parte exterior.

## CANTIDAD

La cocción de cantidades pequeñas siempre es más rápida que la cocción de cantidades grandes. Sucede lo mismo a la hora de calentar comidas.

## PERFORAR CIERTOS ALIMENTOS

La piel o la membrana de ciertos alimentos provoca una acumulación de vapor durante la cocción. Por ello, antes de cocinar ese tipo de alimentos se debe perforar o quitar la piel para permitir la salida del vapor. Algunos de esos alimentos son los huevos, las patatas, las manzanas y las salchichas. NO INTENTE HERVIR HUEVOS CON CÁSCARA.

## TAPAR LOS ALIMENTOS

Cubra los alimentos con película de plástico o con una tapa. Cubra los pescados, las verduras, los cocidos y las sopas. No cubra los pasteles, las salsas ni las patatas hervidas.



# GUÍA DE DESCONGELACIÓN

- ▶ No descongele carne tapada. Cubrir los alimentos permite cocinarlos. Retire las cubiertas exteriores y las bandejas. Utilice recipientes aptos para microondas.
- ▶ Empiece a descongelar las aves con la pechuga hacia abajo. Las carnes asadas con la grasa hacia abajo.
- ▶ La forma del paquete altera el tiempo de descongelación.
- ▶ Los recipientes rectangulares menos profundos permiten descongelar más rápidamente que los otros.
- ▶ Después de que haya transcurrido un tercio del tiempo de descongelación, compruebe el estado de los alimentos. Puede que sea necesario darles la vuelta o retirar porciones derretidas de los alimentos.
- ▶ Durante la descongelación puede abrir el horno y comprobar el estado de la comida. Para obtener mejores resultados de descongelación, siga las instrucciones que figuran a continuación. Después, cierre la puerta del horno y pulse el botón INICIO para completar la descongelación.
- ▶ Cuando los alimentos estén descongelados deben permanecer fríos, pero suaves en algunas áreas.

Si aún hay partes con hielo, colóquelas nuevamente en el horno o déjelas reposar un poco.

Después de la descongelación, permita que los alimentos reposen de 5 a 60 minutos si aún quedan áreas con un poco de hielo. Las aves y el pescado se deben colocar bajo un chorro de agua hasta que se descongelen.

⇨ **Dar la vuelta:** carne asada, costillas, aves, pechugas de pavo, milanesas y costillas de cerdo.

⇨ **Recolocar:** separar las milanesas, chuletas, carne de hamburguesa, pollo o mariscos, trozos de carne, etc.

⇨ **Tapar:** use pedacitos de papel de aluminio para proteger pequeñas áreas de los alimentos con formas irregulares, como las alas de pollo. Para evitar la aparición de chispas, asegúrese de que el papel de aluminio esté, como mínimo, a 2,5 cm de los laterales del interior del horno.

⇨ **Remove:** para evitar que se calienten en exceso, las partes derretidas se deben sacar del horno. Esto puede hacer que el tiempo de descongelación sea más corto para los alimentos que pesen menos de 1.350 g.

## TABLA DE TIEMPOS DE DESCONGELACIÓN.

Alimento y peso	Tiempo de Deshielo	Tiempo de Reposo	TÉCNICAS ESPECIALES
<b>BISTEC</b> Carne picada 1 lb/450g	8-10 min.	15-20 min.	Separe y retire las porciones derretidas con un tenedor.
Guiso de carne 11/2lb/675g	12-14 min.	25-30 min.	Separe y vuelva a colocar una vez.
Carne asada 2 lbs./900g	17-19 min.	45-60 min.	Voltee a la mitad del tiempo.
Empanadas 4(4oz/110g)	8-10 min.	15-20 min.	Dele la vuelta a la mitad del tiempo de descongelación.
<b>CERDO</b> Carne asada 2 lbs./900g	17-19 min.	45-60 min.	Voltee a la mitad del tiempo.
Costillas 1 lb/450g	8-10 min.	25-30 min.	Separe y vuelva a colocar una vez.
Chuletas 4(5oz/125g)	9-11 min.	25-30 min.	Separe y vuelva a colocar una vez.
Carne desmenuzada 1 lb/450g	8-10min.	15-20 min.	Separe y retire las porciones derretidas con un tenedor.
<b>AVES</b> Pollo entero 21/2lb/1125g	22-26 min.	45-90 min.	Separe, dele la vuelta a la mitad del tiempo de descongelación y cubra donde sea necesario.
Pechugas de pollo 1 lb/450g	9-11 min.	15-30 min.	Separe y vuelva a colocar una vez.
Pollo frito (cortado) 2 lb/900g	18-20 min.	25-30 min.	Separe y vuelva a colocar una vez.
Muslos de pollo 11/2lb/675g	13-16 min.	15-30 min.	Separe y vuelva a colocar una vez.
<b>PESCADOS Y MARISCOS</b> Pescado entero 1 lb/450g	6-8 min.	15-20 min.	Dele la vuelta a la mitad del tiempo de descongelación y cubra donde sea necesario
Filetes de pescado 11/2lb/675g	11-13 min.	15-20 min.	Separe y vuelva a colocar una vez.
Camarón 1/2lb/225g	3-4 min.	10-15 min.	Separe y vuelva a colocar una vez.

\* Los tiempos pueden variar porque las temperaturas de los congeladores varían de un modelo a otro y de una marca a otra.

# TABLA DE COCINADO Y RECALENTADO

Alimento	Nivel de Potencia	Tiempo de cocinado por 450g /1lb	
<b>CARNE</b>			
<b>Bistec</b>			
Normal / Costilla	- Poco	560	6-8 min.
	- Medio	560	7-9 min.
	- Bien cocido	560	8-10 min.
minced beef		700	4-6 min.
(4oz. cada/100g)	2 rebanadas	700	3-4 min.
	4 rebanadas	700	4-5 min.
<b>Cerdo</b>			
Lomo de cerdo		560	8-10 min.
tocino entreverado	4 rebanadas	700	3-4 min.
	6 rebanadas	700	4-5 min.
<b>NOTA :</b> Los tiempo anteriores, deben ser conciderados sólo como guía. Considere algunas diferencias según el gusto y las preferencias de cada persona. Los tiempos pueden variar debido a la composición, corte y forma de los alimentos. Los alimentos se deben descongelar antes de ser cocinado.			
<b>Aves</b>			
<b>Pollo</b>			
Pollo entero		700	7-9 min.
Pollo en trozos		560	6-8 min.
Pechuga (sin hueso)		560	7-9 min.
<b>Pavo</b>			
Pavo etero		700	9-11 min.
<b>NOTA :</b> Los tiempo anteriores, deben ser conciderados sólo como guía. Considere algunas diferencias según el gusto y las preferencias de cada persona. Los tiempos pueden variar debido a la composición, corte y forma de los alimentos. Los alimentos se deben descongelar antes de ser cocinado.			
Alimento	Nivel de Potencia	Tiempo de cocinado por 450g /1lb	Instrucciones especiales
<b>FRESH FISH</b>			
Filete de pescado	700	4-6 min.	- La carne congelada y las aves, deben de retirarse del refrigerador 30 min antes del cocinar.
Pescado entero, limpio y preparado	700	4-6 min.	
Trucha limpia y preparada	700	5-7 min.	- Siempre mantenga la carne y aves cubiertas después de cocinar.
Filete de salmon	700	5-7 min.	
Alimento	Nivel de Potencia	Tiempo de cocinado	Instrucciones especiales
Lasagna 1 porción (10 1/2 oz./300g)	700	6-8 min.	Coloque la lasagna en un recipiente apto para microondas. Cubra con papel plástico y ventile.
Guisado 1 taza	700	2-4 min.	Cocine en un recipiente apto para microondas. Revuelva una vez a la mitad del tiempo de cocinado.
4 tazas	700	7-9 min.	
Pure de papas 1 taza	700	3-5 min.	Cocine en un recipiente apto para microondas. Revuelva una vez a la mitad del tiempo de cocinado.
4 tazas	700	7-9 min.	
Frijoles 1 taza	700	3-5 min.	Cocine en un recipiente apto para microondas. Revuelva una vez a la mitad del tiempo de cocinado.
Ravioles o pasta en salsa 1 taza	700	4-5 min.	Cocine en un recipiente apto para microondas. Revuelva una vez a la mitad del tiempo de cocinado.
4 tazas	700	8-10 min.	
Sandwich o rollo 1 roll	700	20-30 sec.	Envuelva en papel y coloque en un recipiente de cristal. <b>*Nota : No use papel reciclado.</b> Pueden contener partículas metálicas.

# TABLA DE VERDURAS

Utilice un cuenco de cristal pírrex adecuado con tapa. Añada 30-45 ml de agua fría (2-3 cucharaditas) por cada 250g si no se recomienda otra cantidad (véase la tabla a continuación). Cúbralo y aplique el tiempo de cocción mínimo (véase la tabla a continuación). Continúe con la cocción hasta obtener el resultado deseado. Remueva una vez durante la cocción y otra vez después de la cocción. Añada sal, hierbas o mantequilla tras la cocción. Cúbralo durante los 3 minutos de reposo.

Sugerencia: corte las verduras frescas en trozos de dimensiones similares. Cuanto más pequeños sean, más rápido se cocerán.

Todas las verduras deberán cocinarse utilizando el nivel máximo de potencia de microondas.

## Guía de cocción para verduras frescas

Verduras	Peso	Tiempo	Instrucciones
Brócoli	½ lb./250g 1 lb./500g	4-6 min. 6-8 min.	Prepare cogollos del mismo tamaño. Colóquelos con el tallo apuntando hacia el centro.
Coles de Bruselas	½ lb./250g	5-7 min.	Añada 60-75 ml (5-6 cucharaditas) de agua.
Zanahorias	½ lb./250g	4-6 min.	Corte las zanahorias a rodajas iguales.
Coliflor	½ lb./250g 1 lb./500g	4-6 min. 5-7 min.	Prepare cogollos del mismo tamaño. Corte los cogollos grandes en dos. Colóquelos con el tallo apuntando hacia el centro.
Calabacín	½ lb./250g	4-5 min.	Corte los calabacines a rodajas. Añada 30 ml (2 cucharaditas) de agua o una nuez de mantequilla. Póngalos a cocer hasta que estén tiernos.
Berenjena	½ lb./250g	4-5 min.	Corte las berenjenas a rodajas y rocíelas con 1 cucharada de zumo de limón.
Puerros	½ lb./250g	4-5 min.	Corte los puerros a rodajas gruesas.
Setas	0.3 lb./125g ½ lb./250g	2-3 min. 3-5 min.	Prepare setas pequeñas enteras o cortadas a rodajas. No añada agua. Rocíelas con zumo de limón. Salpimiente. Déjelas escurrir antes de servir.
Cebolla	½ lb./250g	4-5 min.	Corte las cebollas a rodajas o en mitades. Añada sólo 15 ml (1 cucharadita) de agua.
Pimiento	½ lb./250g	4-5 min.	Corte el pimiento a rodajas pequeñas.
Patatas	½ lb./250g 1 lb./500g	4-6 min. 7-9 min.	Pese las patatas peladas y córtelas en mitades o cuartos iguales.
Nabos	½ lb./250g	6-8 min.	Corte los nabos en cubos pequeños.

## Guía de cocción para verduras congeladas

Verduras	Peso	Tiempo	Instrucciones
Espinacas	0.3 lb./125g	3-4 min.	Añada 15ml (1 cucharadita) de agua fría.
Brócoli	½ lb./250g	4-6 min.	Añada 30ml (2 cucharaditas) de agua fría.
Guisantes	½ lb./250g	5-6 min.	Añada 15ml (1 cucharadita) de agua fría.
Judías verdes	½ lb./250g	4-6 min.	Añada 30ml (1 cucharadita) de agua fría.
Menestra (zanahorias/guisantes/maíz)	½ lb./250g	4-6 min.	Añada 15ml (1 cucharadita) de agua fría.
Menestra (estilo chino)	½ lb./250g	5-7 min.	Añada 15ml (1 cucharadita) de agua fría.

# RECETAS

## SOPA DE TOMATE Y NARANJA

25g (1 oz) de mantequilla  
1 cebolla mediana troceada  
1 zanahoria grande y 1 patata grande, troceada  
800g (13/4lb) de tomate troceado enlatado, zumo y la piel rayada de 1 naranja pequeña  
900 ml (11/2 pintas) de caldo de verdura, sal y pimienta al gusto

1. Funda la mantequilla en un cuenco grande a nivel 700W durante 1 minuto.
2. Añada la cebolla, la zanahoria y la patata. Ajuste el nivel de potencia 700W durante 6 minutos. Remueva a la mitad del tiempo de cocción.
3. Añada los tomates, el zumo de naranja, la piel de naranja rallada y el caldo. Mézclelo todo bien. Salpimiente al gusto. Cubra el cuenco y ajuste la cocción en 700W durante 18 minutos. Remueva 2-3 veces durante la cocción hasta que las verduras estén tiernas.
4. Pase la mezcla por la licuadora y sirva inmediatamente.

## SOPA DE CEBOLLA FRANCESA

1 cebolla grande, a rodajas  
1 cucharada (15ml) de aceite de maíz  
50g (56,70g) de harina  
1,2 litros (2 pintas) de caldo caliente de carne o de verduras  
Sal y pimienta al gusto  
2 cucharadas (30ml) de perejil troceado  
4 rebanadas gruesas de pan francés  
50g (2 oz) de queso rallado

1. Ponga la cebolla en un cuenco untado con aceite, mezcle bien y ajuste el nivel de potencia 700W durante 2 minutos.
2. Remuévala la harina para hacer una masa y añada gradualmente el caldo. Salpimiente y añada el perejil.
3. Cubra el cuenco y ajuste el nivel de potencia 490W durante 20 minutos.
4. Vierta la sopa en los boles, sumerja el pan y espolvoree abundantemente con queso.
5. Ajuste el nivel de potencia 490W durante 2 minutos, hasta que se funda el queso.

## REVOLTITO DE VERDURAS FRITAS

1 cucharada (15ml) de aceite de girasol  
2 cucharadas (30ml) de salsa de soja  
1 cucharada (15ml) de jerez  
2,5 cm (1") de raíz de jengibre pelada y rallada  
2 zanahorias medianas, cortadas a tiras finas  
100g (4 oz) de champiñones troceados  
50g (2 oz) de soja  
100g (4 oz) de tirabeques  
1 pimiento rojo, sin semillas y cortado a tiras finas  
4 cebollas tiernas troceadas  
100g (4 oz) de castañas de agua enlatadas, cortadas a rodajas  
1/4 de col china, a rodajas

1. Ponga el aceite, la salsa de soja, el jerez, el jengibre, el ajo y las zanahorias en un cuenco grande y mézclelo todo bien.
2. Cubra y ajuste un nivel de potencia 700W durante 5-6 minutos.
3. Añada los champiñones, la soja, los tirabeques, el pimiento rojo, las cebollas tiernas, las castañas de agua y la col china. Mézclelo todo bien.
4. Ajuste un nivel de potencia 700W durante 6-7 minutos hasta que las verduras estén tiernas. Remueva 2-3 veces durante la cocción.

***El revoltijo de verduras fritas es ideal para servir como acompañamiento de carnes o pescados.***

## POLLO CON MIEL

4 pechugas de pollo deshuesadas  
2 cucharadas (30ml) de miel  
1 cucharada (15ml) de mostaza  
1/2 cucharadita (2,5ml) de estragón seco  
1 cucharada (15ml) de concentrado de tomate  
150 ml (1/4 pinta) de caldo de pollo

1. Coloque las pechugas de pollo en una cazuela.
2. Mezcle el resto de ingredientes y viértalos en la cazuela. Salpimiente al gusto.
3. Ajuste un nivel de potencia 700W durante 13-14 minutos. Remueva y riegue el pollo con la salsa dos veces durante la cocción.

## QUESO AZUL CON CEBOLLETAS ASADAS

2 patatas para asar (aprox. 250g/9 oz cada una)  
50g (56,70 g) de mantequilla  
100g (4 oz) de queso azul troceado  
1 cucharada (15ml) de cebolletas frescas troceadas  
50g (2 oz) de champiñones cortados a rodajas, sal y pimienta al gusto

1. Pinche cada patata por varios lugares. Ajuste un nivel de potencia 700W durante 12-13 minutos. Corte las patatas en mitades, vacíelas en un cuenco, añada la mantequilla, el queso, las cebolletas, los champiñones, la sal y la pimienta, y mézclelo bien.
2. Rellene las pieles de las patatas con la mezcla y colóquelas en una fuente en la bandeja del horno.
3. Ajuste un nivel de potencia 350W durante 10 minutos.

## SALSA BLANCA

25g (1 oz) de mantequilla  
25g (1 oz) de harina  
300ml (1/2 pinta) de leche  
Sal y pimienta al gusto

1. Ponga la mantequilla en un cuenco y ajuste un nivel de potencia 700W durante 1 minuto hasta que se funda.
2. Remuévala en la harina y bata la mezcla en la leche. Ajuste un nivel de potencia 700W durante 4-5 minutos y remueva la mezcla cada 2 minutos hasta que esté espesa y suave. Salpimiente al gusto.

## MERMELADA DE FRESA

675g (11/2 lb) de fresas limpias  
3 cucharadas (45ml) de zumo de limón  
675g (11/2 lb) de azúcar en polvo

1. Ponga las fresas y el zumo de limón en un cuenco grande, ajuste un nivel de potencia 700W durante 5 minutos o hasta que la fruta esté tierna. Añada azúcar y mezcle bien.
2. Ajuste un nivel de potencia 490W durante 30-35 minutos hasta llegar al punto de consistencia\*. Remueva cada 4-5 minutos.
3. Vierta la mermelada en tarros limpios y calientes. Tápelos herméticamente y etiquételos.

*\* Punto de consistencia: para determinar el punto de consistencia, ponga 1 cucharada (5 ml) de mermelada en un platillo frío. Deje reposar la mermelada durante 1 minuto. Mueva la superficie de la mermelada con el dedo. El punto de consistencia se obtiene cuando la mermelada se arruga.*

## TARTA MICROONDAS

100g (4 oz) de margarina  
100g (4 oz) de azúcar  
1 huevos  
100g (4 oz) de harina de repostería tamizada  
2-3 cucharadas (30-45ml) de leche

1. Cubra el fondo de la fuente de 20 cm (8") con papel de horno antiadherente.
2. Amase la margarina y el azúcar hasta obtener una masa ligera y esponjosa. Bata los huevos y vierta la masa y la leche en la harina tamizada.
3. Vierta la masa en el contenedor preparado. Ajuste un nivel de potencia 700W durante 4-5 minutos hasta que un pincho salga seco.
4. Deje reposar la tarta durante 5 minutos antes de servir.

## TORTILLAS

15g (1/2 oz) de mantequilla  
4 huevos  
6 cucharadas de leche sal y pimienta

1. Bata los huevos y la leche juntos. Salpimiente.
2. Ponga la mantequilla en una fuente de unos 26 cm (10").  
Ajuste un nivel de potencia 700W durante 1 minuto hasta que la mantequilla se funda. Unte la fuente con la mantequilla fundida.
3. Vierta la mezcla de leche y huevo en la fuente. Ajuste un nivel de potencia 700W durante 2 minutos. Bata la mezcla y ajuste un nivel 700W durante 1 minuto más.

## HUEVOS REVUELTOS

15g (1/2 oz) de mantequilla  
2 huevos  
2 cucharadas (30ml) de leche sal y pimienta

1. Funda la mantequilla en un cuenco a un nivel de potencia 700W durante 1 minuto.
2. Añada los huevos, la leche, la sal y la pimienta y mézclelo todo bien.
3. Ajuste un nivel de potencia 700W durante 3 minutos.  
Remueva cada 30 segundos.

## CARNE PICADA SAZONADA

1 cebolla pequeña cortada a tacos  
1 ajo triturado  
1 cucharadita (5ml) de aceite  
200 g de tomate troceado enlatado  
1 cucharada (15ml) concentrado de tomate  
1 cucharadita (5ml) de hierbas aromáticas  
225 g (8 oz) de carne picada sal y pimienta

1. Ponga la cebolla, el ajo y el aceite en una cazuela y ajuste un nivel de potencia 700W durante 2 minutos o hasta que la cebolla esté tierna.
2. Añada el resto de ingredientes a la cazuela. Remueva bien.
3. Cubra y ajuste un nivel de potencia 700W durante 5 minutos y luego P-80 durante 10-15 minutos o hasta que la comida esté preparada.



## Garantía limitada

MC Appliance Corporation garantiza que todas las Encimera horno de microondas carecen de defectos en el material y la mano de obra y acuerda solucionar cualquiera de estos defectos o instalar la(s) parte(s) nueva(s) (a elección de la compañía) en caso de que la unidad haya fallado durante el periodo de garantía. Las partes y gastos de reparación están cubiertos en esta unidad por un periodo de un año a partir de la fecha de compra. Se requiere una copia de la factura o recibo de compra para recibir el servicio de garantía por parte de un agente de servicio autorizado.

Además MC Appliance corporation autoriza el magnetrón (piezas solamente) para estar libre de defectos en material y la ejecución por un período de ocho años. El consumidor es responsable de todo el trabajo y los costos del transporte relacionados con la diagnosis y el reemplazo del magnetrón después de las uno garantías inicial del año expiran. Si en el acontecimiento la unidad requiere el reemplazo o el reembolso bajo términos de esta garantía el consumidor es responsable de todos los costos del transporte volver la unidad a nuestra fábrica antes de recibir una unidad o un reembolso del reemplazo.

Esta garantía cubre los aparatos que se usen dentro de los Estados Unidos continentales, Alaska, Hawái y Puerto Rico. La garantía no cubre lo siguiente:

- Daños debido al daño del envío o a la instalación incorrecta.
- Daños debido al mal uso o abuso.
- Pérdidas de contenido debido a falla de la unidad.
- Componentes internos como platos giratorio, guía de rodillos, bombillas, etc.
- Las reparaciones se realizaron por los agentes desautorizados del servicio.
- Llamadas de servicio que no implican defectos en material y la ejecución tal como instrucción en el uso apropiado del producto o de la instalación incorrecta.
- Reemplazo o reajuste de los fusibles o de los interruptores de la casa.
- Falla de este producto si se usa con fines distintos a los que fue diseñado.
- Costes de la disposición de unidades falladas no vueltas a nuestra fábrica.
- Todos los gastos de entrega/instalación incurridos como resultado de una unidad que no cumple con lo especificado.
- Gastos de viajes y el transporte de los productos principales de servicio si su aparato está situado en una zona remota donde el servicio por un técnico de servicio no está disponible.
- La remoción y reinstalación de su gran aparato, si está instalado en un lugar inaccesible o no está instalado de conformidad con las instrucciones de instalación publicadas.
- Restituciones por productos no reparables se limita al precio pagado por la unidad por el recibo de compra.

Limitaciones de remedios y exclusiones:

La reparación del producto de acuerdo con los términos de este documento, es el único y exclusivo remedio determinado en esta garantía limitada. Todas y cada una de las garantías implicadas, incluyendo la calidad de comerciable y capacidad para un propósito particular, se limitan mediante la presente a un año o el periodo más corto permitido por la ley. MC Appliance Corporation no es responsable por daños incidentales ni resultantes y ningún representante o persona alguna están autorizados para asumir de parte nuestra ninguna otra responsabilidad en relación con la venta de este producto. Bajo ninguna circunstancia se le permite al consumidor regresar esta unidad a la fábrica sin consentimiento previo por escrito de MC Appliance Corporation.

Algunos estados prohíben la exclusión o limitación por daños incidentales o resultantes, o limitaciones en las garantías implícitas. Esta garantía le otorga a usted derechos legales específicos, y usted puede también tener otros derechos que varían según la entidad federal/va donde se encuentre.

Modelo	Piezas & Trabajo	Magnetrón (Parte solamente)	Tipo de servicio
MCD770CW / MCD770CM / MCD770CR	Uno año	Ocho años	Lleve adentro

Para servicio o asistencia, llame por favor al 888-775-0202. O visítenos en [www.mcappliance.com](http://www.mcappliance.com) para solicitar el servicio de garantía o repuestos.



**CNA International, Inc. realiza negocios bajo el nombre de MC Appliance Corporation. Derechos reservados.**

**El logotipo Magic Chef® es una marca registrada de CNA International, Inc.**

**[www.mcappliance.com](http://www.mcappliance.com)**

**Impreso en China**