



Sku#1001 348 108  
Model#HOUC3304B10

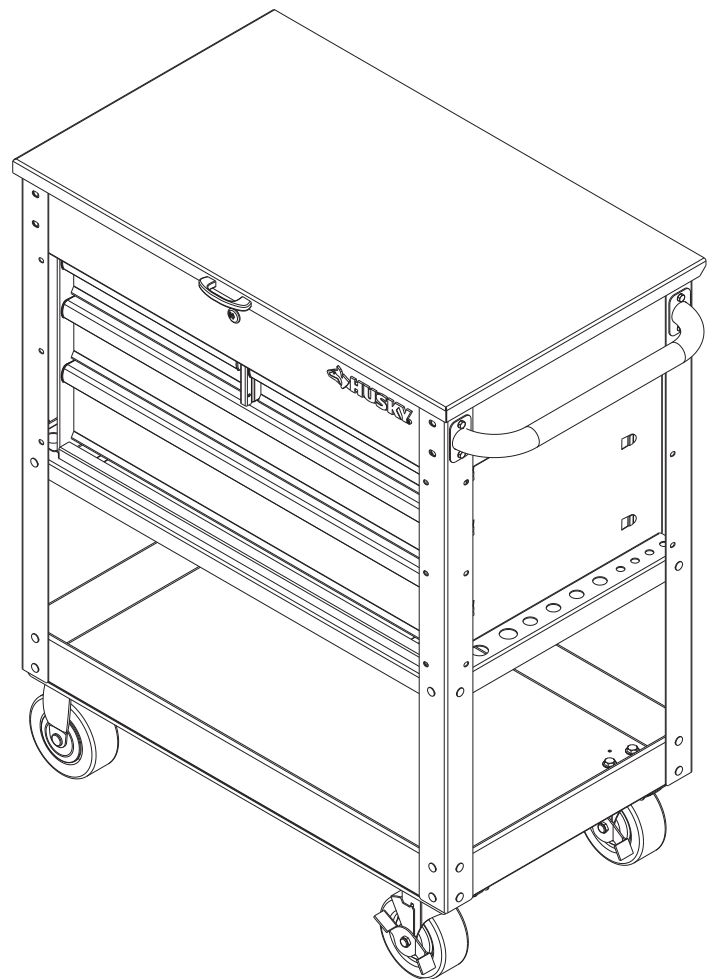
## USE AND CARE GUIDE

### HUSKY 33 IN. 4-DRAWER MECHANICS TOOL CART

Questions, problems, missing parts?  
Before returning to the store, call  
Husky Customer Service  
8 a.m. - 7 p.m., EST, Monday-Friday,  
9 a.m. - 6 p.m., EST, Saturday

1-888-43-HUSKY

HUSKYTOOLS.COM



---

#### **THANK YOU**


*We appreciate the trust and confidence you have placed in Husky through the purchase of this cart. We strive to continually create quality products designed to enhance your home. Visit us online to see our full line of products available for your home improvement needs. Thank you for choosing Husky!*

# Table of Contents


Table of Contents.....2  
 Safety Information.....2  
 Warranty.....3  
 Pre-Assembly.....4  
     Tools Required.....4  
     Hardware Included.....4  
     Specifications.....4  
     Package Contents.....5

Assembly.....6  
 Operation.....8  
 Maintenance.....9  
 Care and Cleaning.....9  
 Service Parts.....10


# Safety Information


 **DANGER:** Do not open more than one drawer at a time.


 **CAUTION:** Do not let children approach the tool cart.


 **WARNING:** Keep the locking caster brakes set unless you are moving the cart. This will help to prevent the product from rolling.


 **DANGER:** Do not step in the tray.


 **DANGER:** Do not pull the tool cart, push it when moving.


 **CAUTION:** Do not alter this product in any manner as it will void the warranty.


 **DANGER:** Do not stand on this product. You may fall or cause the product to tip.


 **DANGER:** Do not move the product prior to closing and locking all the drawers. The drawers could come open and make the product unstable and tip.

 **DANGER:** Do not mount this product on a truck bed or any other moving object.

 **WARNING:** Keep the product on a level surface. The product may become unstable and tip if stored or moved on an uneven surface.

 **CAUTION:** Do not lift this product directly with a forklift or tow with any mechanical devices.

 **CAUTION:** Do not exceed the maximum product weight, including contents. Do not exceed the maximum weight for each drawer. See Specifications on page 4.

 **CAUTION:** Only transport this product when empty. Properly secure when transporting.

# Warranty

---

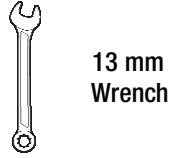
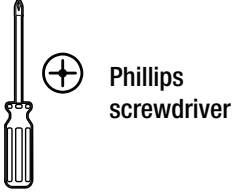
The manufacturer warrants the product to be free from defects in materials and workmanship for a period of three (3) years from date of purchase. This warranty applies only to the original consumer and only to products used in normal use and service. If this product is found to be defective, the manufacturer's only obligation, and your exclusive remedy, is the repair or replacement of the product at the manufacturer's discretion, provided that the product has not been damaged through misuse, abuse, accident, modifications, alteration neglect or mishandling. This warranty shall not apply to any product that is found to have been improperly installed, set-up, or used in any way not in accordance with the instructions supplied with the product. This warranty shall not apply to a failure of the product as a result of an accident, misuse, abuse, negligence, alteration, faulty installation, or any other failure not relating to faulty material or workmanship. This warranty shall not apply to the finish on any portion of the products such as surface and/or weathering, as this is considered normal wear and tear.

The manufacturer does not warrant and specifically disclaims any warranty, whether express or implied, of fitness for a particular purpose, other than the warranty contained herein. The manufacturer specifically disclaims any liability and shall not be liable for any consequential or incidental loss or damage, including but not limited to any labor/expense costs involved in the replacement or repair of said product.


Contact the Customer Service Team at 1-888-43-HUSKY or visit [www.huskytools.com](http://www.huskytools.com).

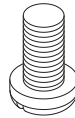
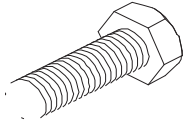
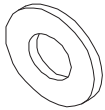
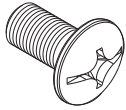
# Pre-Assembly

## TOOLS REQUIRED



## HARDWARE INCLUDED


 **NOTE:** Hardware not shown to actual size.



Part	Description	Quantity
AA	Screw M6x15L	36
BB	Washer M8	16
CC	Bolt M8x15L	16
DD	Screw 3/16 in.	2

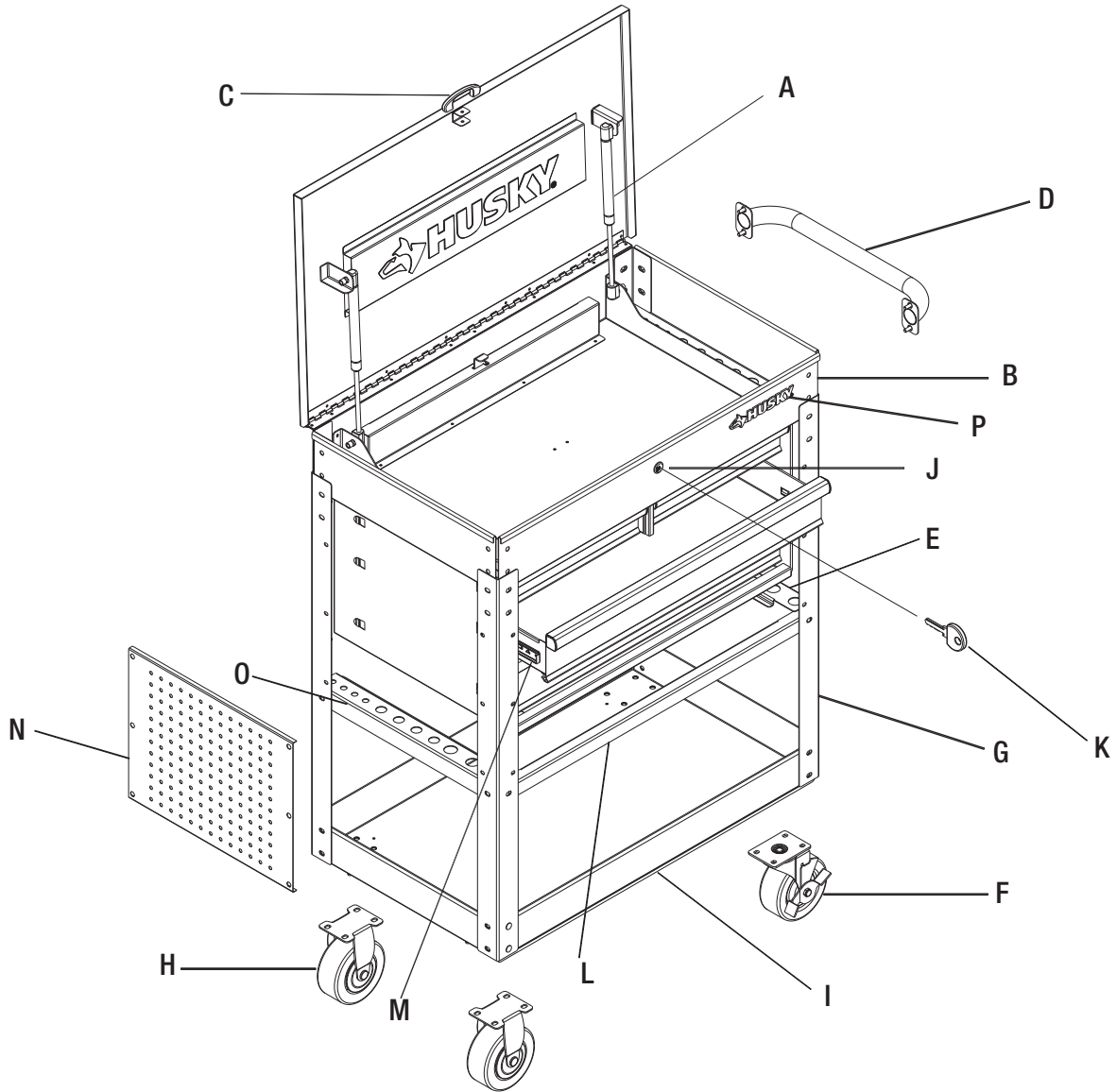
## SPECIFICATIONS

Maximum capacity (per drawer)	75 lbs.
Bottom tray	250 lbs.
Maximum loading capacity	672 lbs.

 **NOTE:** Begin product assembly close to the final intended location of your tool cart. This product is heavy and may be difficult to move after assembly.

# Pre-Assembly (continued)

## PACKAGE CONTENTS



Part	Description	Quantity
A	Gas lift	2
B	Cabinet	1
C	Lid handle	1
D	Side handle	1
E	Cross support - R	1
F	Swivel caster with brake	2
G	Legs	4
H	Rigid caster	2

Part	Description	Quantity
I	Tray	1
J	Lock	1
K	Keys (set)	1
L	Front rail	1
M	Drawer slide (pair)	4
N	Pegboard	1
O	Cross support - L	1
P	Husky badge	1

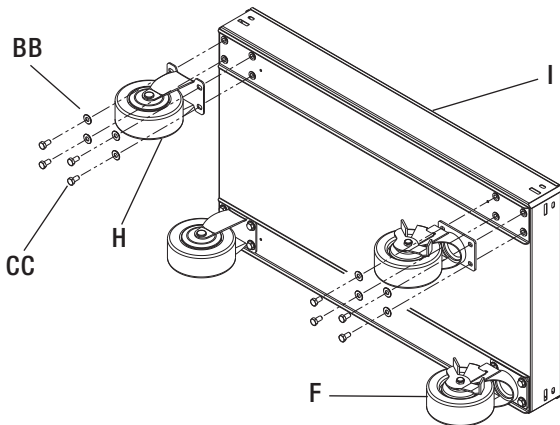
# Assembly

## 1 Installing the casters



**CAUTION:** Do not over tighten the bolts.

- Place tray (I) on its side on top of the packaging material while mounting casters to protect the product's finish.
- Mount the two swivel casters with brake (F) to the bottom of the tray (I) using four bolts (CC) and washers (BB) per caster. The swivel casters with brake (F) should be installed on the same side as the handle (D).
- Mount the two rigid casters (H) to the tray (I) using four bolts (CC) and washers (BB) per caster.
- Tighten all bolts (CC) with a 13 mm wrench.
- Carefully return the tool cart to its upright position.

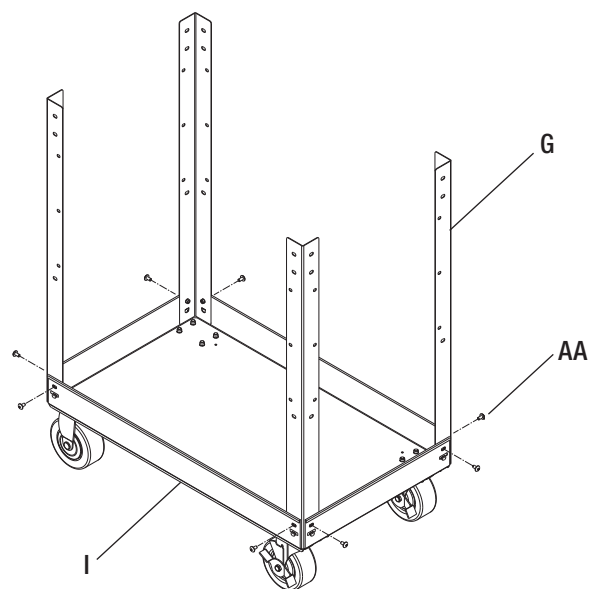


## 2 Installing the legs



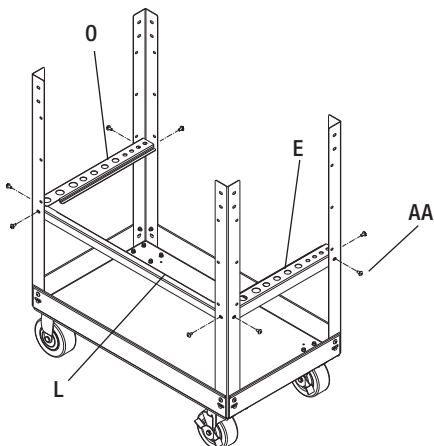
**NOTE:** Do not fully tighten bolts yet to allow for some movement during cabinet installation.

- Mount the four support legs (G) to the tray (I) using four screws (AA) per leg. Finger tighten only.



## 3 Installing the cross supports

- Attach the front rail (L) to the legs as shown with two screws (AA). Do not fully tighten screws at this time.
- Attach the right cross support (E) as shown using two screws (AA). Do not fully tighten screws at this time.
- Attach the left cross support (O) as shown using two screws (AA). Do not fully tighten screws at this time.

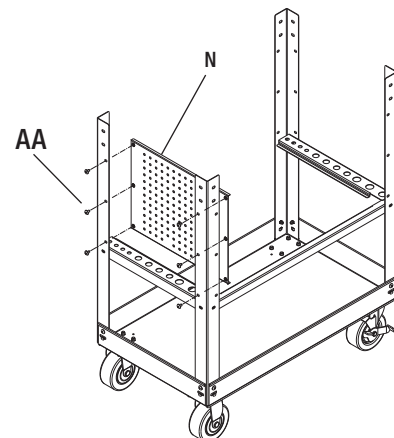


## 4 Installing the pegboard



**NOTE:** The pegboard is designed to attach to either the left or right side of the tool cart, according to your preference.

- Attach the pegboard (N) to the legs of the cart using six screws (AA). Do not fully tighten screws at this time.



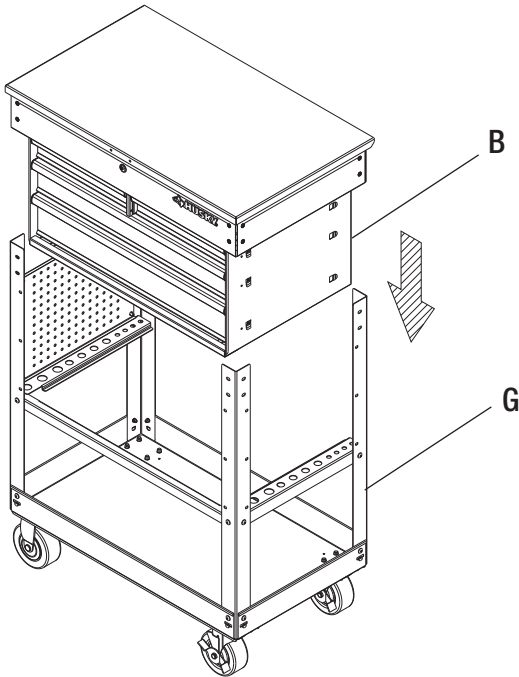
## Assembly (continued)

### 5 Installing the cabinet



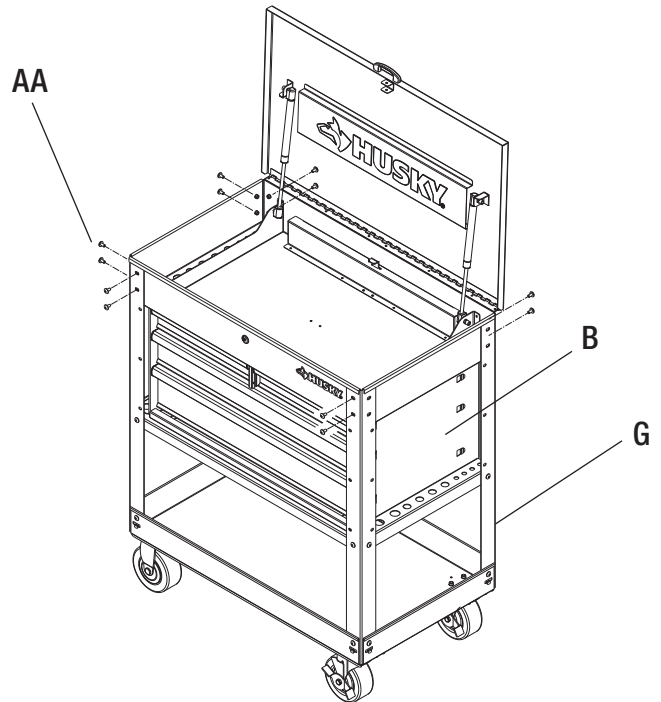
**WARNING:** At least two people are needed for this step.

- Carefully lower the cabinet (B) between the four support legs (G) until each support leg is properly secured under the top lip of the cabinet and the holes are in alignment.



### 6 Attaching the legs

- Secure the cabinet (B) to the four legs (G) using twelve screws (AA).
- Tighten all screws on the cart at this time. Be careful not to over tighten.

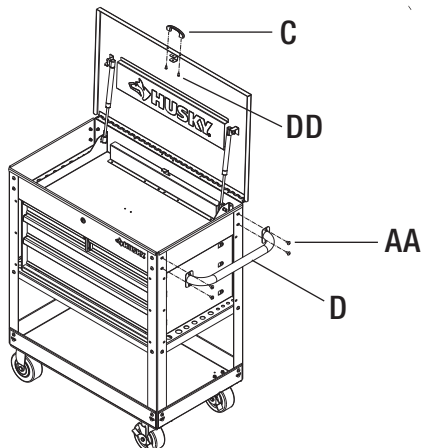


### 7 Attaching the handles



**NOTE:** The holes in the tool cart are tapped and do not require nuts.

- Attach the side handle (D) to the tool cart using four screws (AA). Do not over tighten.
- Attach the lid handle (C) to the top lid using two screws (DD). Do not over tighten.



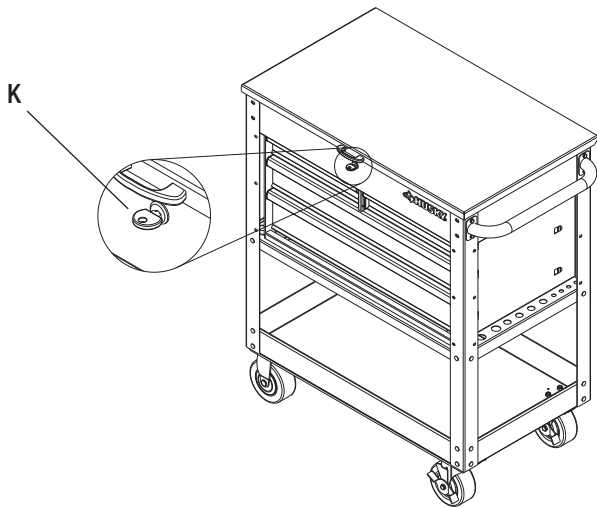
# Operation

## 1 Locking and unlocking the lid



**IMPORTANT:** The key will only lock the top lid and does not lock the drawers. See step 2 for securing the drawers.

- Insert the key (K) into the lock and turn one quarter turn counterclockwise to lock.
- Remove the key (K).
- Insert the key (K) into the lock and turn one quarter turn clockwise to unlock.
- Remove the key (K).

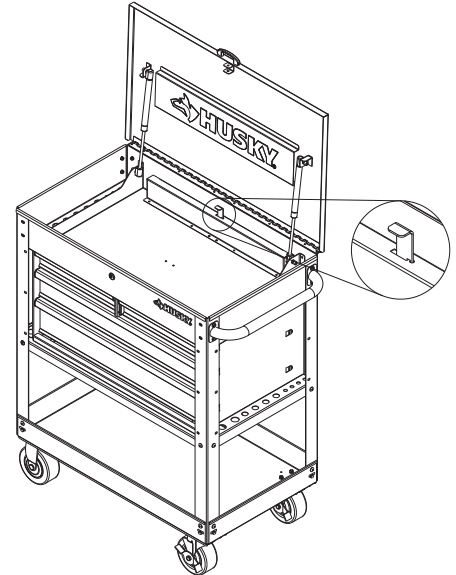


## 2 Securing the drawers



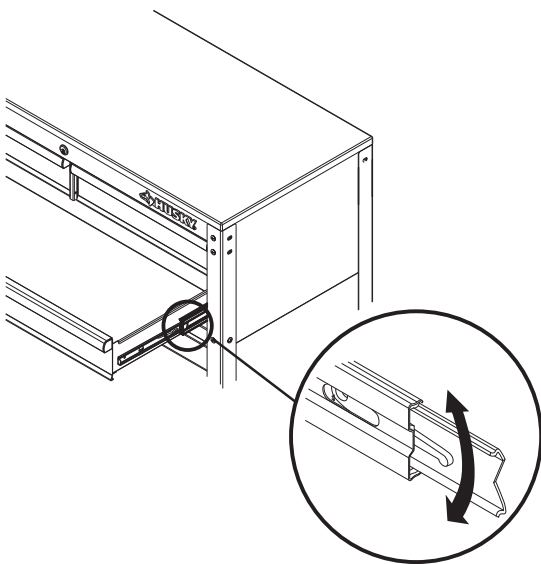
**IMPORTANT:** The drawers must be fully closed before locking / unlocking the unit.

- To lock the drawers: Move the locking lever down and pull on the drawers to ensure all drawers are secured.
- To unlock the drawers: Move the locking lever up and to the right to secure the lever in the open position.



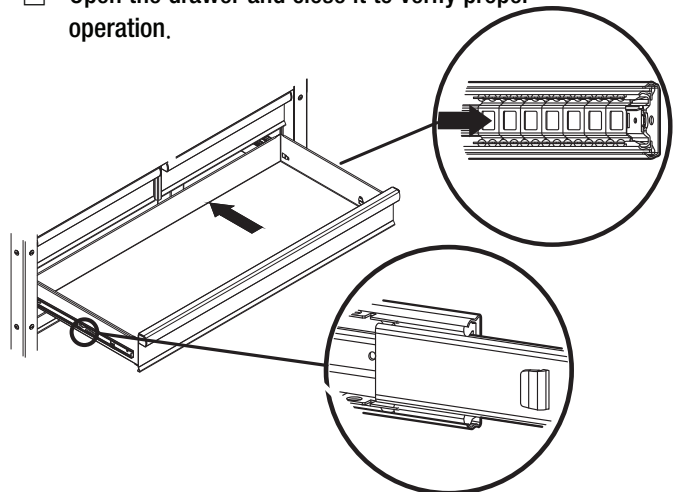
## 3 Removing the drawers

- Fully extend and empty the drawer.
- Depending on the slide, either lift or lower the release lever on both sides so the slides can ride over the stops. Pull out to remove.



## 4 Installing the drawers

- Pull the slides and slide carrier out until fully extended.
- Hold the slide on the cabinet while aligning it with the slide on the drawer.
- Slightly insert one side and repeat for the other side.
- Slowly push the drawer until it is fully closed to engage the slide.
- Open the drawer and close it to verify proper operation.

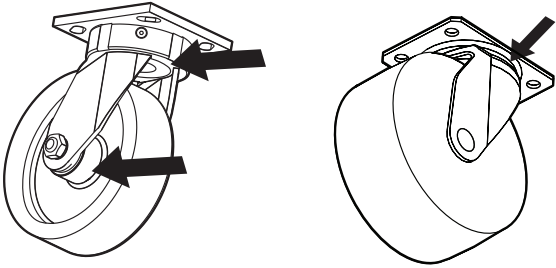




## Maintenance

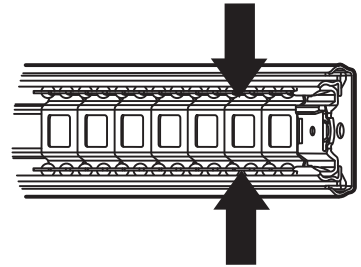
### 1 Maintaining the casters

- Grease the casters annually using high quality bearing grease.



### 2 Maintaining the drawers

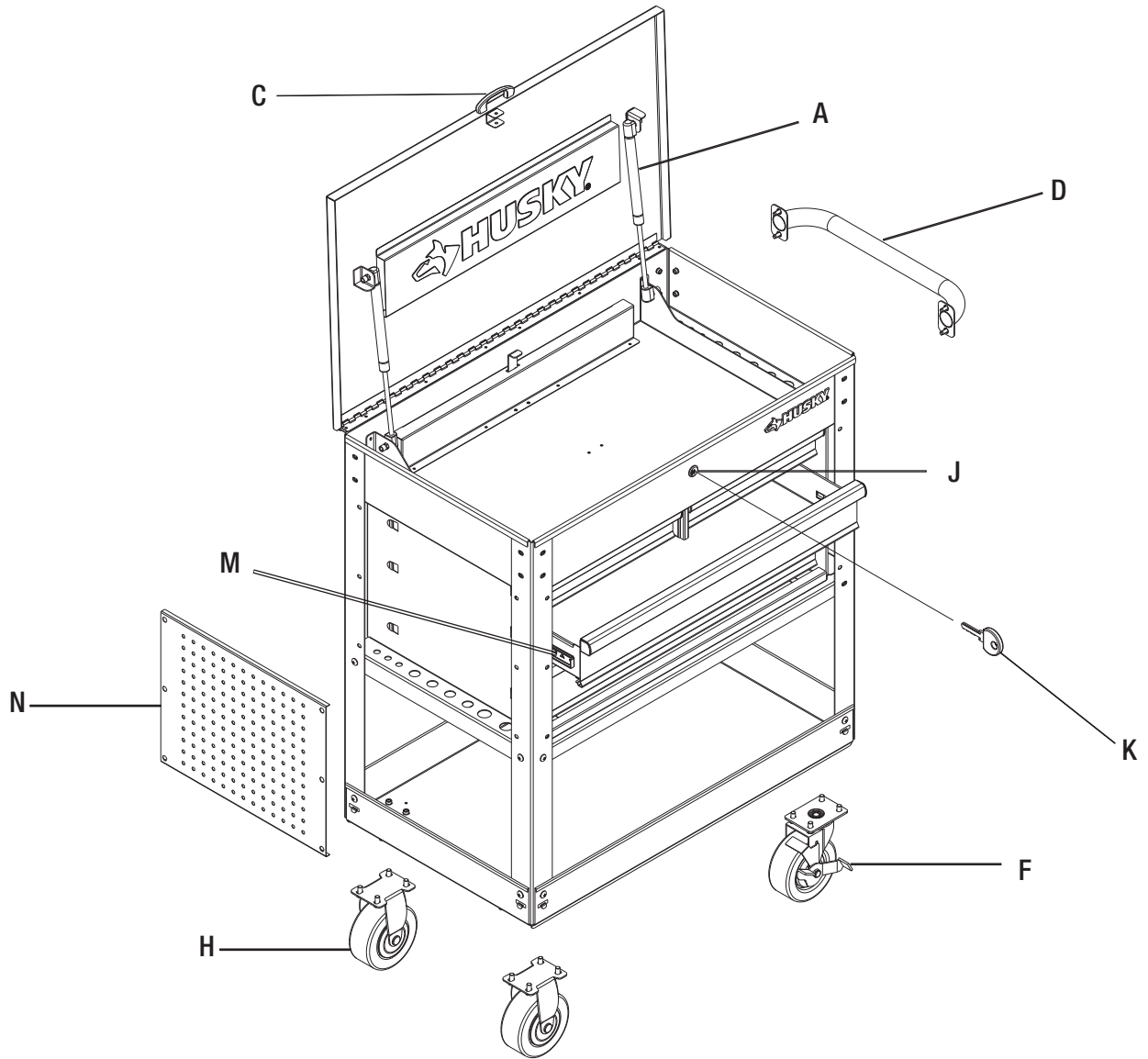
- Periodically clean the drawer trim and inside the drawers with a mild detergent and water.
- Remove grease and oil with a standard, nonflammable cleaning fluid.
- The use of drawer liners is recommended to protect the finish inside the drawers and make the drawers easier to clean. Drawer liners can be purchased at The Home Depot and can be cleaned with soap and water.
- Lubricate the slides semi-annually with grease or equivalent.



## Care and Cleaning

- This steel product has been coated with industrial powder coating for a durable finish.
- To help protect the powder coated finish, do not allow harsh chemicals (oil, grease, or other chemical) to remain on the powder coating surface.
- Use a glass cleaner (Windex<sup>®</sup> or equivalent product) to clean and maintain all surfaces of powder coating.

# Service Parts



Part	Item No.	Description	Quantity
A	K0509029	Gas lift	2
C	K1811002	Lid handle	1
D	D6TC040012	Side handle	1
F	K03220265	Swivel caster with brake	2
H	K03220263	Rigid caster	2
J	K06120022	Lock	1
K	K06120021	Keys (set)	1
M	K0261001	Drawer slide (pair)	4
N	B4B080UC33E1814A	Pegboard	1



Questions, problems, missing parts? Before returning to the store, call  
Husky Customer Service  
8 a.m.-7 p.m., EST, Monday-Friday, 9 a.m. - 6 p.m., EST, Saturday

**1-888-43-HUSKY**

**HUSKYTOOLS.COM**

Retain this manual for future use.