

# INSTALLATION INSTRUCTIONS

**WARNING** – TO REDUCE THE RISK OF FIRE, ELECTRIC SHOCK, OR INJURY TO PERSONS, OBSERVE THE FOLLOWING:

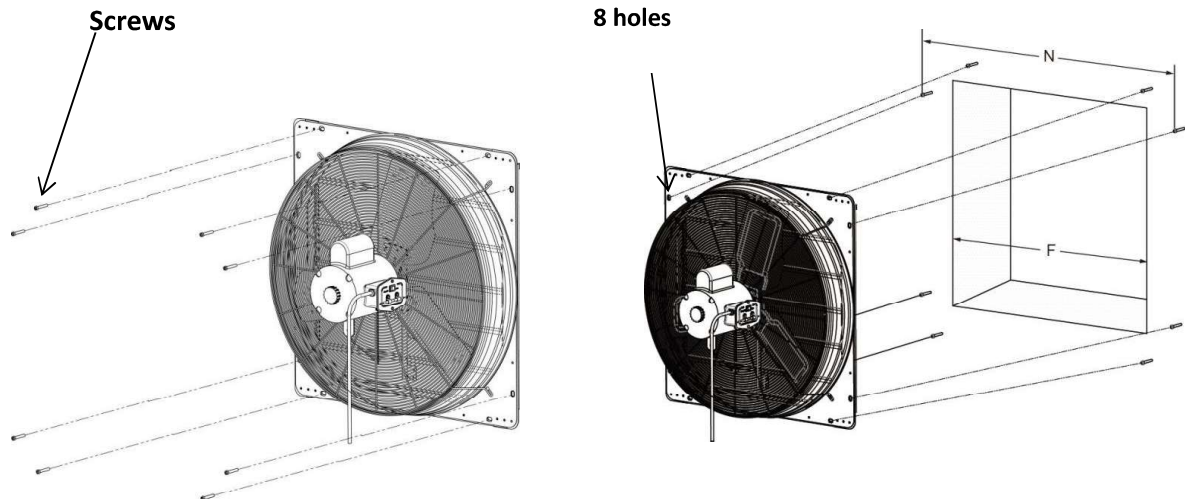
- a) Use this unit only in the manner intended by the manufacturer. If you have questions, contact the manufacturer.
- b) Before servicing or cleaning unit, switch power off at service panel and lock the service disconnecting means to prevent power from being switched on accidentally. When the service disconnecting means cannot be locked, securely fasten a prominent warning device, such as a tag, to the service panel.
- c) Installation work and electrical wiring must be done by qualified person(s) in accordance with all applicable codes and standards, including fire-rated construction.
- d) Sufficient air is needed for proper combustion and exhausting of gases through the flue (chimney) of fuel burning equipment to prevent back drafting. Follow the heating equipment manufacturer's guideline and safety standards such as those published by the National Fire Protection Association (NFPA), and the American Society for Heating, Refrigeration and Air Conditioning Engineers (ASHRAE), and the local code authorities.
- e) When cutting or drilling into wall or ceiling, do not damage electrical wiring and other hidden utilities.


1. The unit should be only securely mounted on the wooden plank.

**NOTE:** Allowing the fan frame to flex or move will result in excess vibrations, which may cause possible premature motor, propeller, or shutter failure.

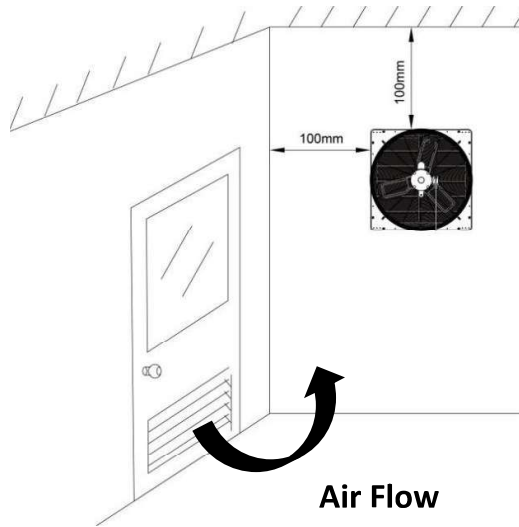
2. Install the shutter fan through 8 holes with screws. **(Screws are not included.)**

## Install on wooden plank.




	Minimum Thickness	Fan Model	Screw Size	Screw Picture
Wooden Plank	10mm	All Models	3/16" x 1-1/4"	

3. Please ensure the space has a gap for enough air to get into the space. The fan installed on free space of at least 100mm above the upper edges of the corner.



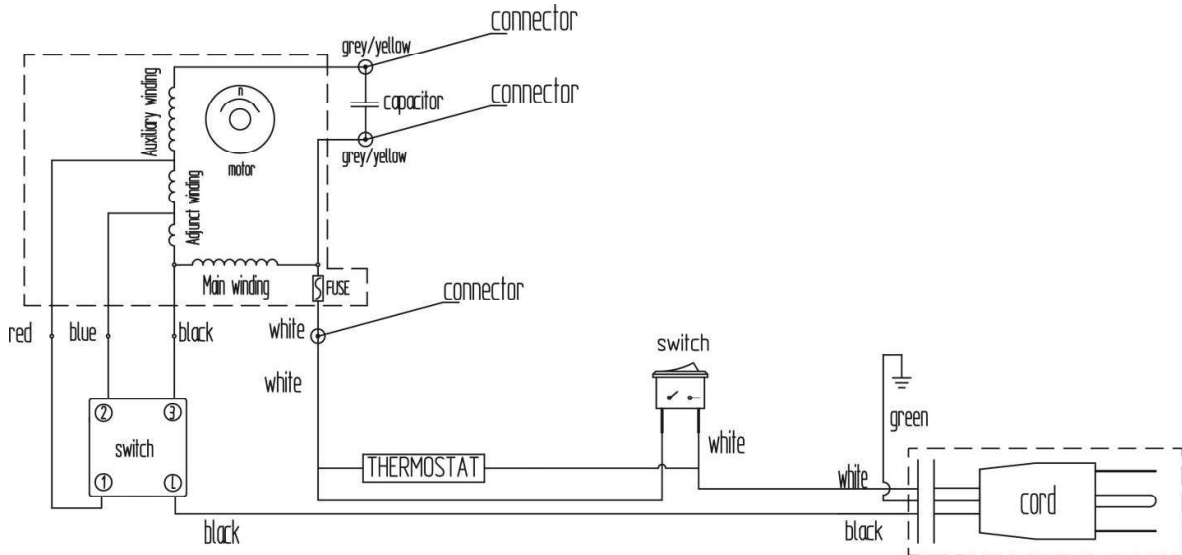
**WARNING:** This fan is recommended to be mounted by a qualified electrician.

 **Fan frame and motor must be securely and adequately grounded to a suitable electrical ground, such as a ground water pipe or ground wiring system.**

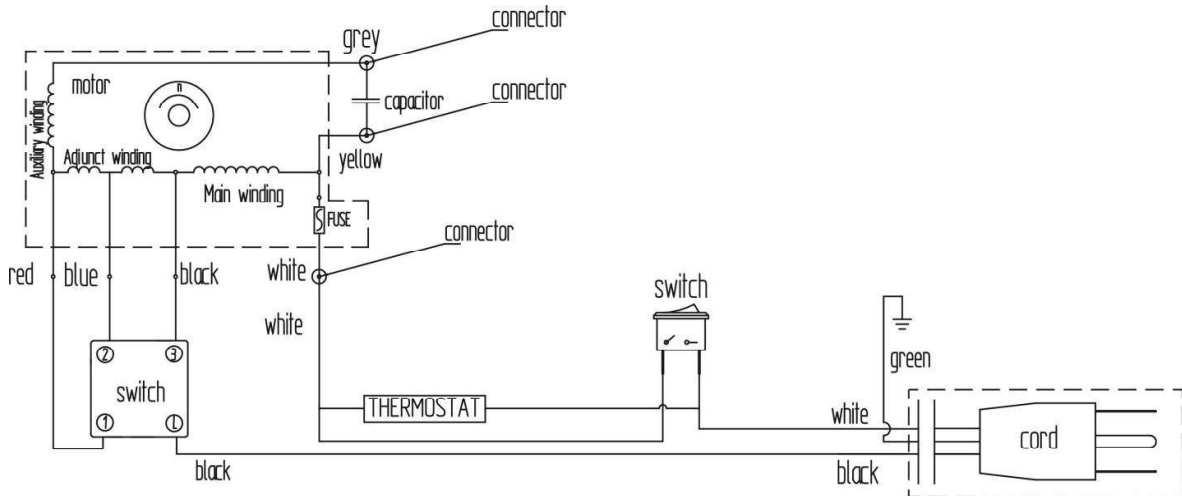
# Wiring Diagram

Thermostat Temperature Range: 32°F~130°F (0°C~54°C)

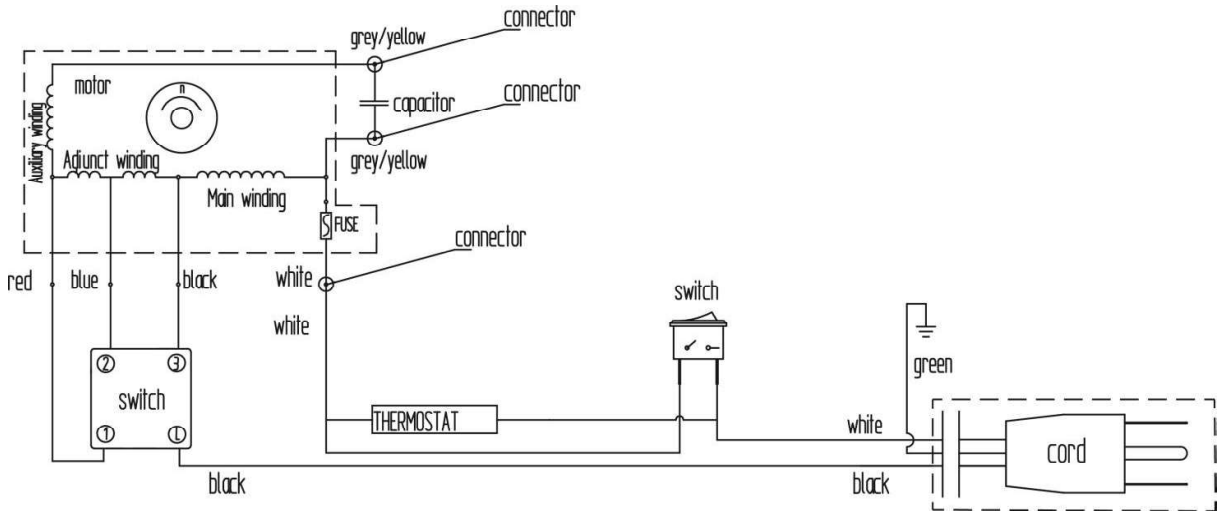
For ILG8SF10V-T/ILG8SF12V-T/ ILG8SF14V-T



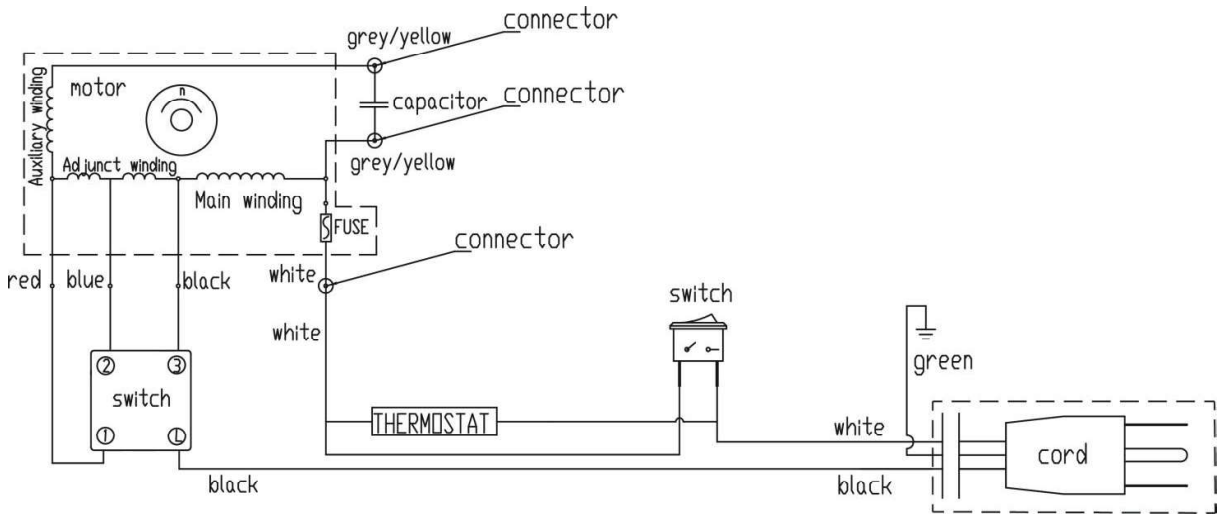
For ILG8SF16V-T



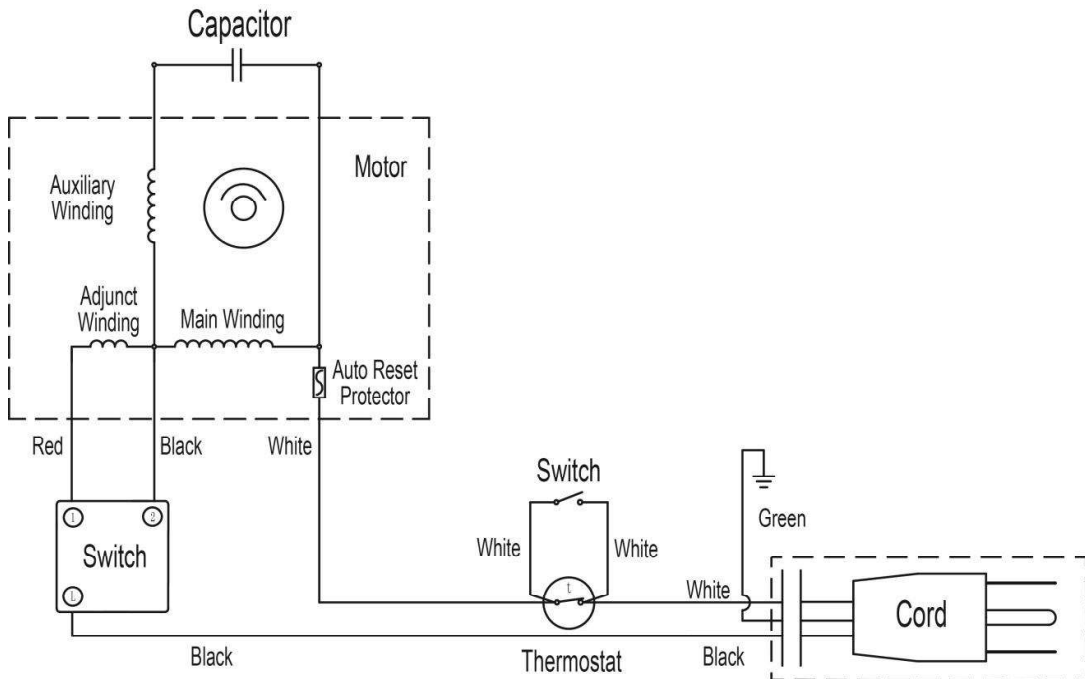
### For ILG8SF18V-T



### For ILG8SF20V-T/ ILG8SF24V-T

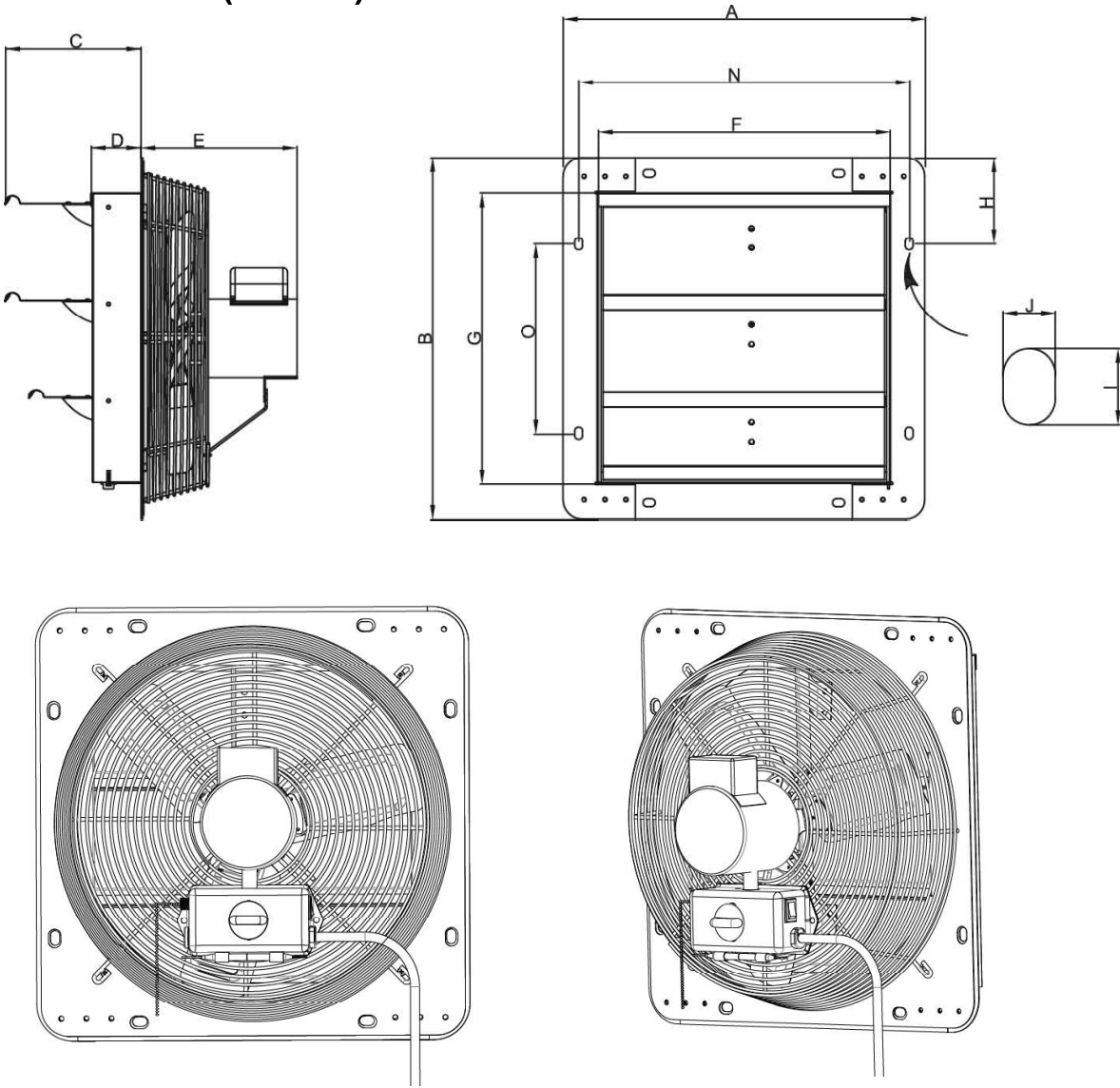


### For ILG8SF30V-T

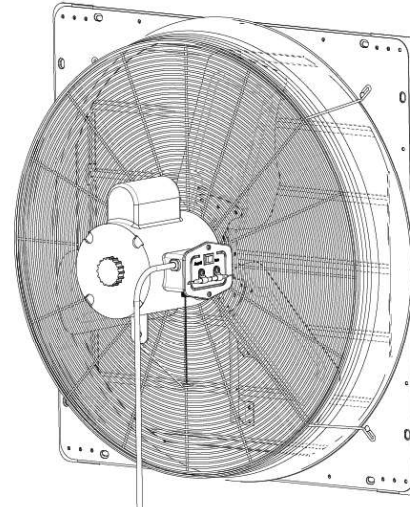
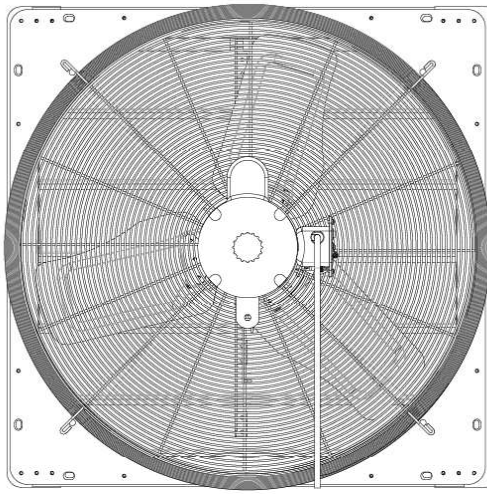


Power source	<b>115V, 60Hz</b>
Mounting Position	Vertical
Frame Material	Galvanized Steel
Shutter Blade Material	Aluminum Alloy
Propeller Material	Aluminum Alloy and Galvanized Steel
Agency Compliance	UL/CUL 507

**Dimensions(Inches)**



**For ILG8SF10V-T/ ILG8SF12V-T/ ILG8SF14V-T**



**For ILG8SF16V-T/ ILG8SF18V-T/ ILG8SF20V-T/ ILG8SF24V-T/  
ILG8SF30V-T**

MODEL	Prop. Dia.	A	B	C	D	E	N	G	F	O	H	J	I	Suggested wall opening (Sq)
ILG8SF10V-T	10"	13"	13"	4 17/32"	2"	5 7/8"	11 21/32"	10 1/8"	10 1/8"	6"	3 17/32"	9/32"	1/2"	10 1/2"
ILG8SF12V-T	12"	15"	15"	5 3/4"	2"	6 5/32"	13 5/8"	12 1/8"	12 1/8"	8"	3 1/2"	9/32"	1/2"	13"
ILG8SF14V-T	14"	17"	17"	5 3/4"	2"	6 5/16"	15 14/16"	14 1/4"	14 1/4"	10 3/16"	3 17/32"	9/32"	1/2"	15"
ILG8SF16V-T	16"	18 29/32"	18 29/32"	5 3/4"	2"	7 7/8"	17 3/4"	16"	16"	11 29/32"	3 17/32"	9/32"	1/2"	17"
ILG8SF18V-T	18"	21"	21"	5 3/4"	2"	8 3/4"	19 11/16"	18"	18"	14"	3 17/32"	9/32"	1/2"	19"
ILG8SF20V-T	20"	23"	23"	5 3/4"	2"	11"	21 25/32"	20"	20"	16"	3 17/32"	9/32"	1/2"	21"
ILG8SF24V-T	24"	27"	27"	5 3/4"	2"	11"	25 21/32"	24 1/8"	24 1/8"	20 1/32"	3 17/32"	9/32"	1/2"	25"
ILG8SF30V-T	30"	33"	33"	5 3/4"	3"	13 3/32"	31 5/8"	30 1/8"	30 1/8"	26"	3 17/32"	9/32"	1/2"	31"

**Performance**

MODEL	Prop. Dia.	Nom. HP	Amps	RPM	Bearing Type	CMF
ILG8SF10V-T	10"	1/25	0.56	1520	Sleeve	600
ILG8SF12V-T	12"	1/20	0.60	1610	Sleeve	772
ILG8SF14V-T	14"	1/20	0.61	1590	Sleeve	850
ILG8SF16V-T	16"	1/20	0.83	1580	Ball	1200
ILG8SF18V-T	18"	1/15	0.90	1070	Ball	1736
ILG8SF20V-T	20"	1/4	2.59	1075	Ball	3368
ILG8SF24V-T	24"	1/4	2.65	1050	Ball	4244
ILG8SF30V-T	30"	1/3	3.30	825	Ball	5088