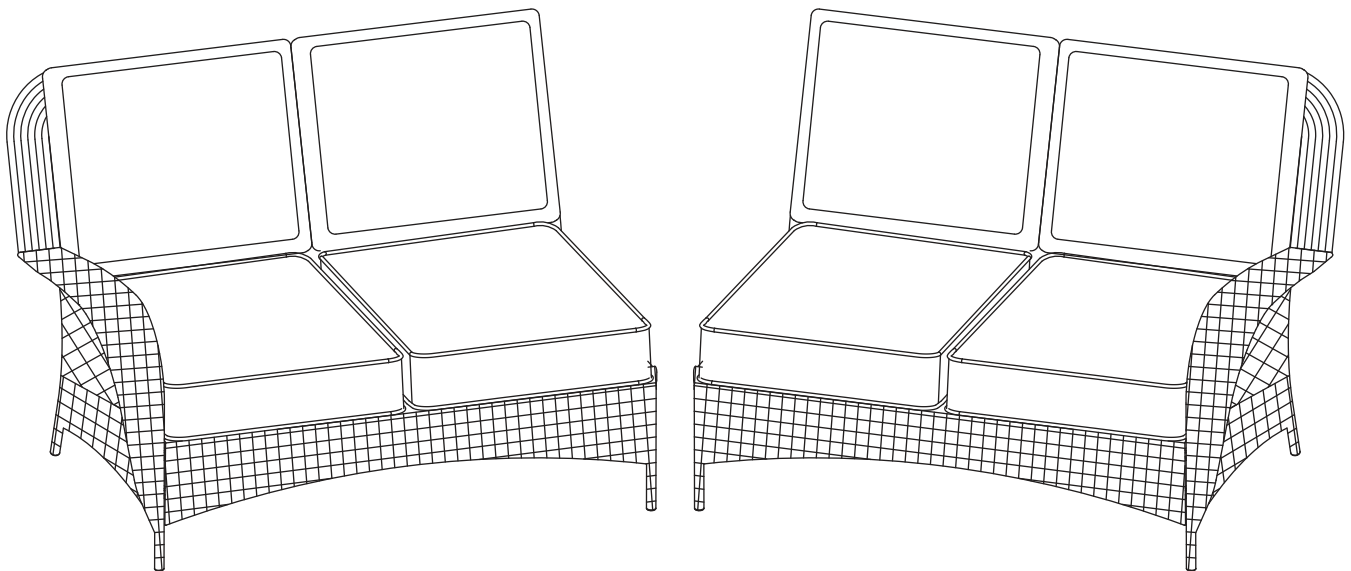


Item # 1004 041 595
Model # FRS80865BL-ST1C

HAMPTON BAY®

USE AND CARE GUIDE

BEACON PARK LEFT AND RIGHT ARM SECTIONAL - TOFFEE



Questions, problems, missing parts? Before returning to the store
call Hampton Bay Customer Service.
8 a.m. - 7 p.m., EST, Monday - Friday, 9 a.m. - 6 p.m., EST, Saturday

1-855-HD-HAMPTON

HAMPTONBAY.COM

THANK YOU


We appreciate the trust and confidence you have placed in Hampton Bay through the purchase of this sectional. We strive to continually create quality products designed to enhance your home. Visit us online to see our full line of products available for your home improvement needs. Thank you for choosing Hampton Bay!


Table of Contents

Table of Contents.....	2	Pre-Assembly.....	3
Important Safety Instructions	2	Planning Assembly.....	3
Save These Instructions	2	Hardware Included.....	3
Read All Instructions Before Use	2	Right Loveseat Package Contents.....	4
Warranty	3	Left Loveseat Package Contents.....	5
What is Covered	3	Assembly-Right Arm Loveseat ..	6
What is Not Covered	3	Assembly-Left Arm Loveseat	10
		Set Assembly.....	14
		Care and Cleaning.....	14

Important Safety Instructions

SAVE THESE INSTRUCTIONS

 **WARNING:** This sectional was made for the explicit purpose of providing outdoor functions and is not to be used as a toy. This product is intended for normal outdoor use; however, the manufacturer recommends storing and / or covering this product when any formidable / severe weather is approaching.

 **WARNING:** Do not locate this product near open flames. Do not use this product as a support. Do not shake, lean or climb on the product. Children under the age of 10, near the product, should be supervised by a competent adult at all times. This product is NOT intended for commercial use and will void the warranty.


READ ALL INSTRUCTIONS BEFORE USE


To reduce the risk of injury to persons:

1. Close supervision is necessary when this product is used by or near children, or disabled persons, if applicable.
2. Use this product only for its intended use as described in these instructions. Do not use attachments not recommended by the manufacturer.
3. Do not move the chair while the chair is occupied. Failure to obey this caution could result in injury.
4. Do not rock in the chair as you may fall and cause serious injury.
5. Please keep children out of the assembly area during assembly.

 **WARNING:** Do not place heavy objects on the product.

 **WARNING:** Weight limit is 300 lbs (136.07 Kg) for each chair.

 **WARNING:** This product unit is heavy, and may require two adults for safe assembly.

 **CAUTION:** Do not locate the product near any heat source.

Warranty

3 YEAR FRAME AND 3 YEAR FABRIC LIMITED WARRANTY

WHAT IS COVERED

We warrant the frames to be free of manufacturing defects to the original purchaser for three years, and a three year limited warranty for the fabric.

WHAT IS NOT COVERED

It remains the customer's responsibility for freight and packaging charges to and from our service center. This warranty does not cover commercial use, hardware, acts of nature, fire, freezing, and abusive use. In addition, purchased parts are not covered under this warranty. We reserve the right to make substitutions with similar merchandise, if the model in question is no longer in production.

Contact the Customer Service Team at 1-855-HD-HAMPTON or visit www.HamptonBay.com.

Pre-Assembly

PLANNING ASSEMBLY

Read all instructions before assembly.

To avoid damaging this product, assemble it on a soft, non-abrasive surface such as carpet or cardboard.

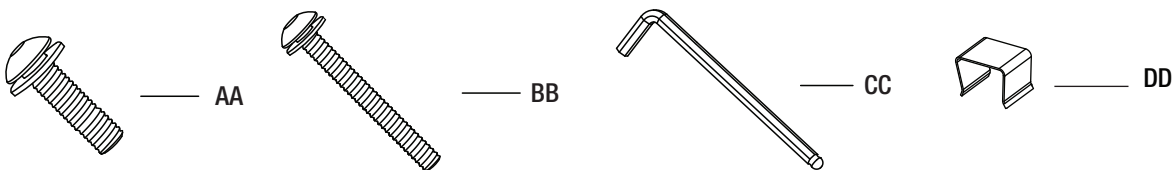


NOTE: More than one person may be required to assemble this product.

HARDWARE INCLUDED



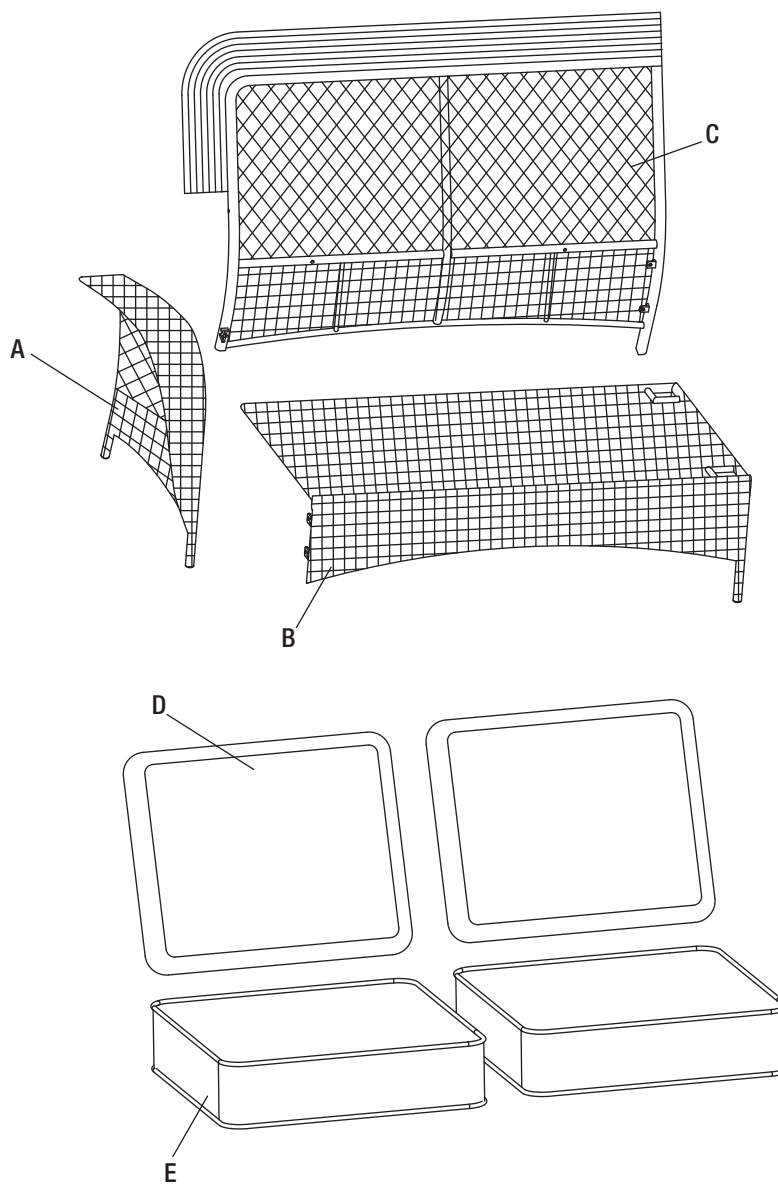
NOTE: Hardware not shown to actual size.



Part	Description	Quantity
AA	M6x20 combination bolt	10+1
BB	M6x50 combination bolt	6+1
CC	Hex wrench	1
DD	Metal clip	2

Pre-Assembly (continued)

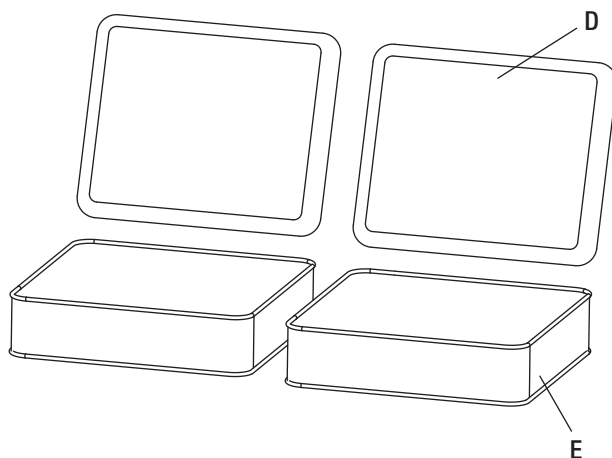
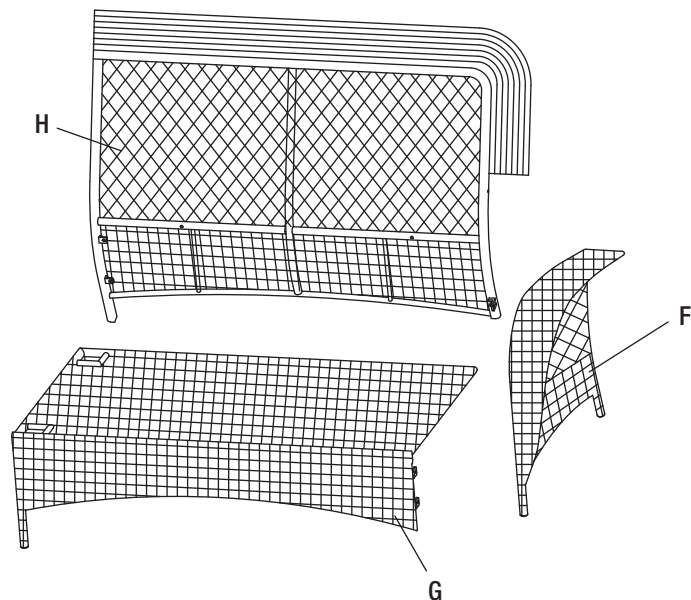
RIGHT LOVESEAT PACKAGE CONTENTS



Part	Description	Quantity
A	Right arm	1
B	Right arm loveseat seat	1
C	Right arm loveseat backrest	1
D	Loveseat back cushion	2
E	Loveseat seat cushion	2

Pre-Assembly (continued)

LEFT LOVESEAT PACKAGE CONTENTS



Part	Description	Quantity
D	Loveseat back cushion	2
E	Loveseat seat cushion	2
F	Left arm	1
G	Left arm loveseat seat	1
H	Left arm loveseat backrest	1

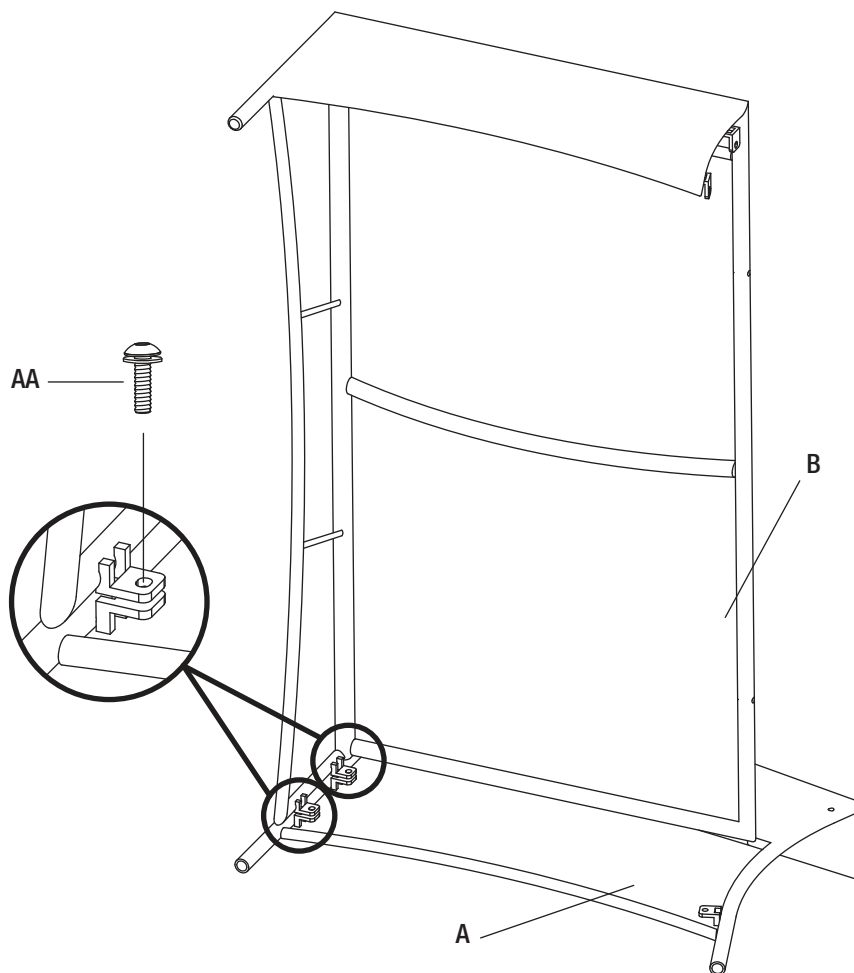
Assembly-Right Arm Loveseat

1 ATTACHING THE RIGHT ARM LOVESEAT SEAT TO THE RIGHT ARM

- Place the right arm (A) on a soft surface.
- Attach the right arm loveseat seat (B) to the right arm (A) using M6x20 combination bolts (AA).
- Do not fully tighten all the bolts at this step.



NOTE: Loosely tighten all bolts using the hex wrench (CC).



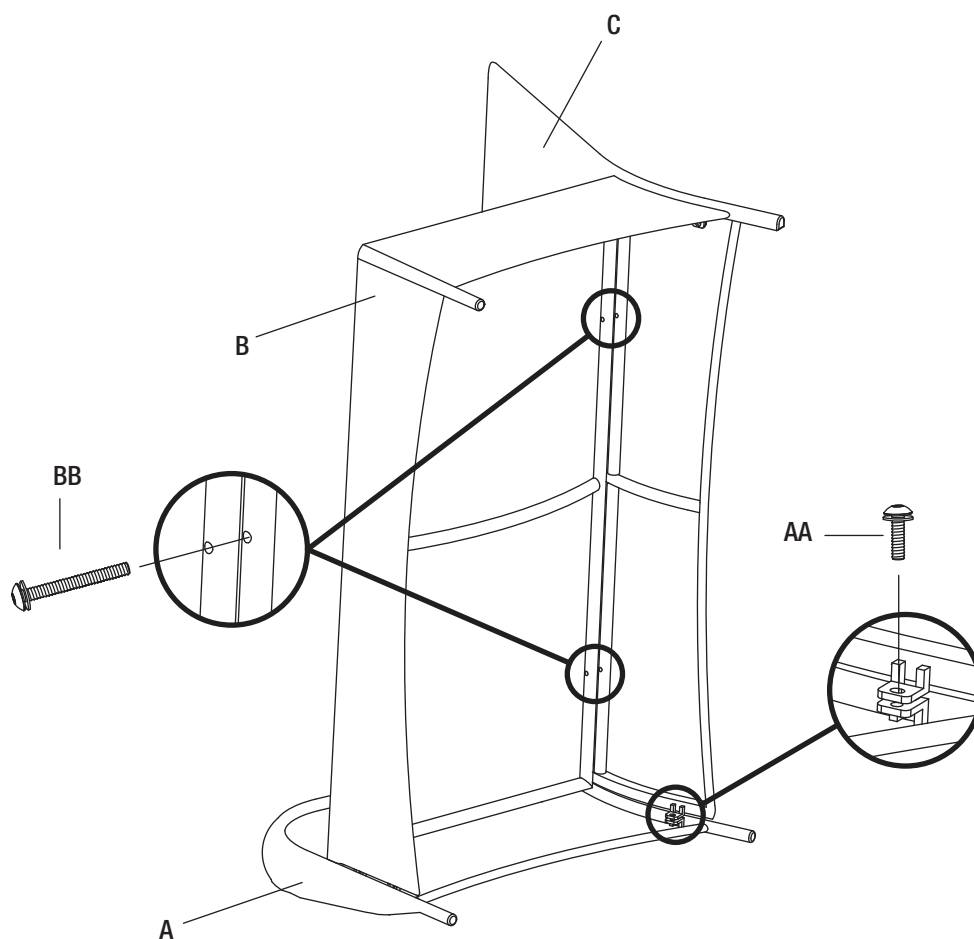
Assembly-Right Arm Loveseat (continued)

2 ATTACHING THE RIGHT ARM LOVESEAT BACKREST TO THE RIGHT ARM LOVESEAT SEAT AND THE RIGHT ARM

- Attach the right arm loveseat backrest (C) to the right arm loveseat seat (B) using M6x50 combination bolts (BB).
- Attach the right arm loveseat backrest (C) to the right arm (A) using one M6x20 combination bolt (AA).
- Do not fully tighten all the bolts at this step.



NOTE: Loosely tighten all bolts using the hex wrench (CC).



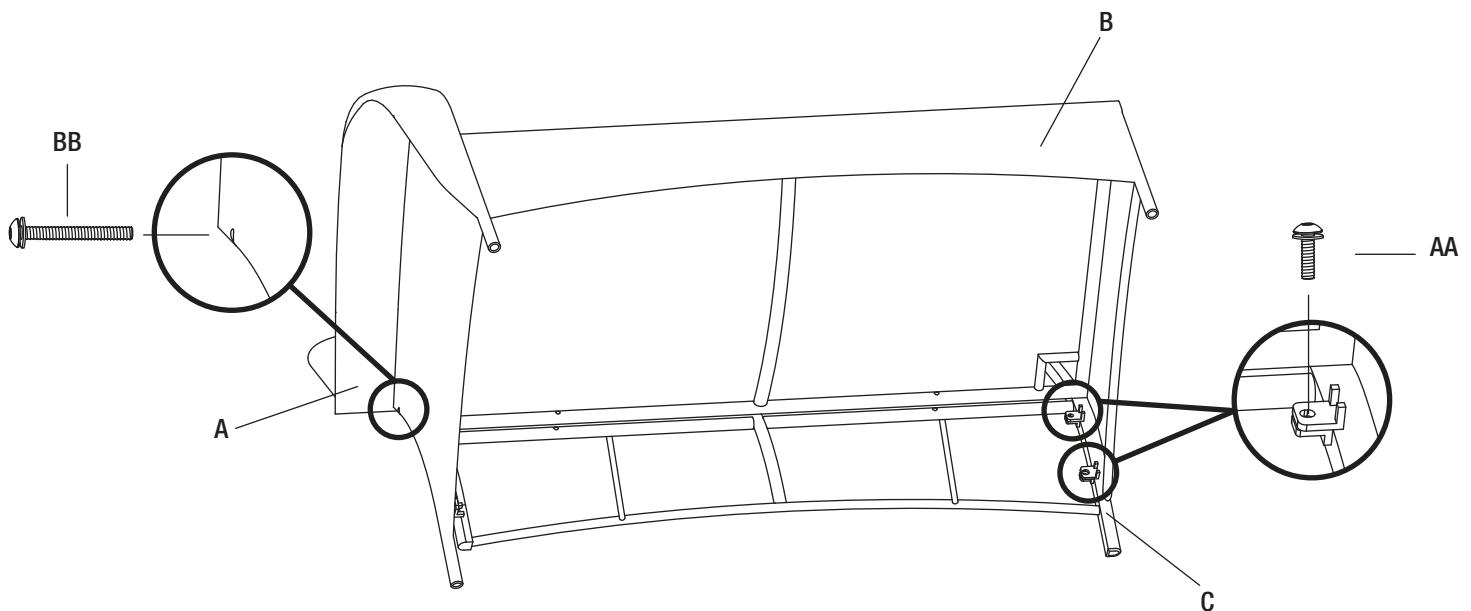
Assembly-Right Arm Loveseat (continued)

3 CONNECTING THE RIGHT ARM LOVESEAT BACKREST TO THE RIGHT ARM LOVESEAT SEAT AND THE RIGHT ARM

- Connect the right arm loveseat backrest (C) to the right arm loveseat seat (B) using M6x20 combination bolts (AA).
- Connect the right arm loveseat backrest (C) to the right arm (A) using one M6x50 combination bolt (BB).
- Do not fully tighten all the bolts at this step.



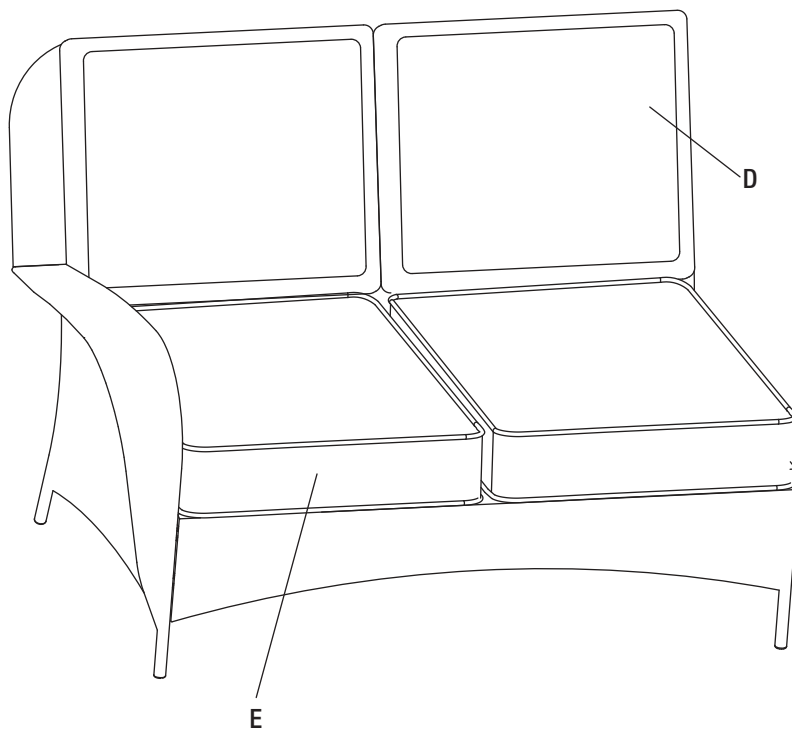
NOTE: Loosely tighten all bolts using the hex wrench (CC).



Assembly-Right Arm Loveseat (continued)

4 TIGHTENING THE BOLTS

- Once all of the bolts are in place, fully tighten the bolts.
- Turn the right arm loveseat right side up.
- Place the loveseat back cushions (D) and the loveseat seat cushions (E) onto the chair to finish the assembly of the chair.



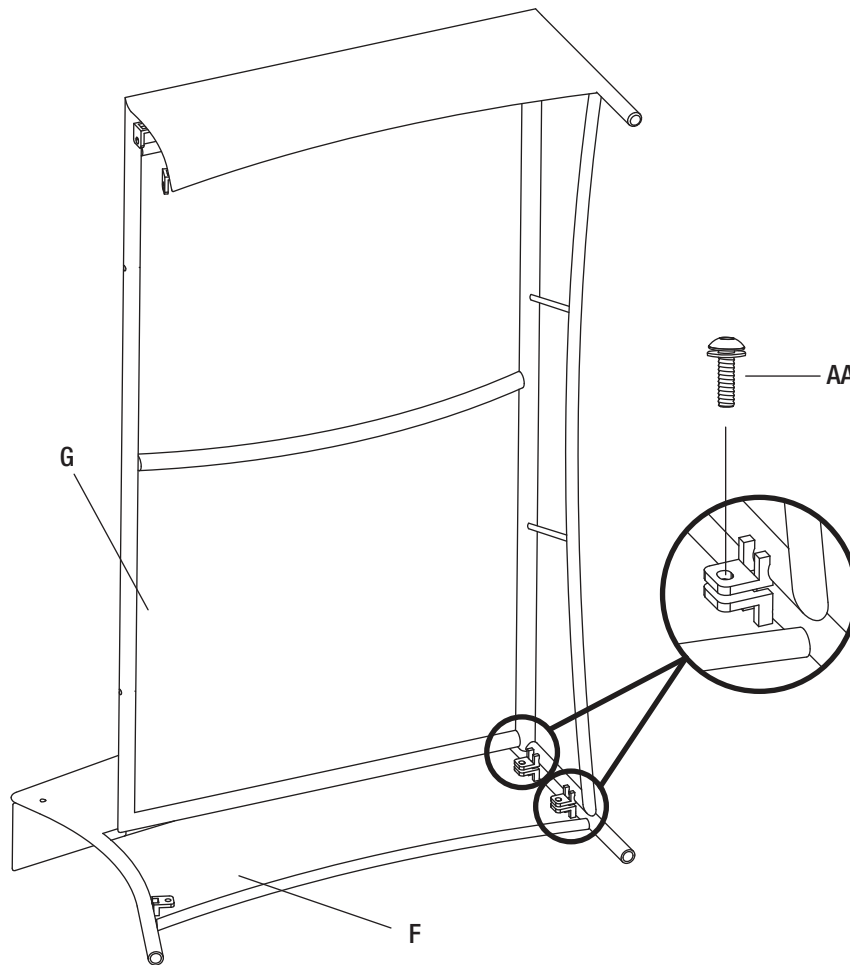
Assembly-Left Arm Loveseat

1 ATTACHING THE LEFT ARM LOVESEAT SEAT TO THE LEFT ARM

- Place the left arm (F) on a soft surface.
- Attach the left arm loveseat seat (G) to the left arm (F) using M6x20 combination bolts (AA).
- Do not fully tighten the bolts at this step.



NOTE: Loosely tighten all bolts using the hex wrench (CC).



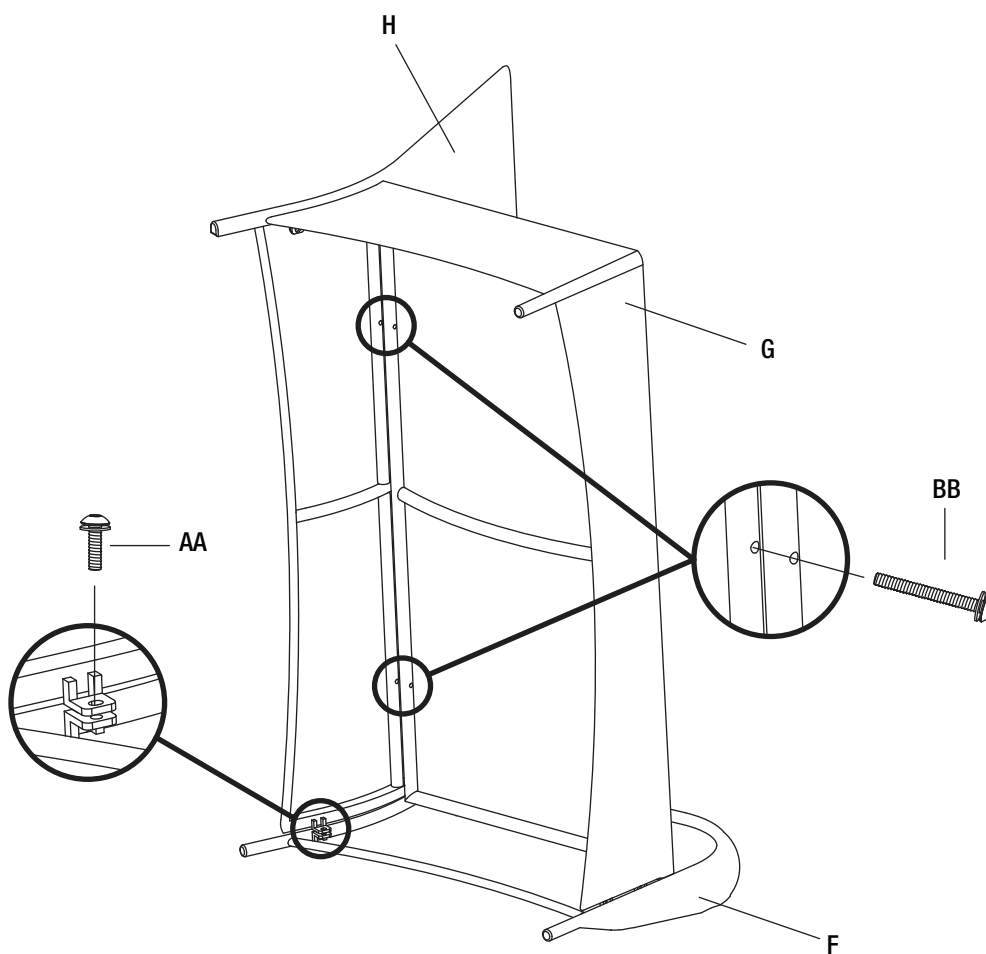
Assembly-Left Arm Loveseat (continued)

2 ATTACHING THE LEFT ARM LOVESEAT BACKREST TO THE LEFT ARM LOVESEAT SEAT AND THE LEFT ARM

- Attach the left arm loveseat backrest (H) to the left arm loveseat seat (G) using M6x50 combination bolts (BB).
- Attach the left arm loveseat backrest (H) to the left arm (F) using one M6x20 combination bolt (AA).
- Do not fully tighten the bolts at this step.



NOTE: Loosely tighten all bolts using the hex wrench (CC).



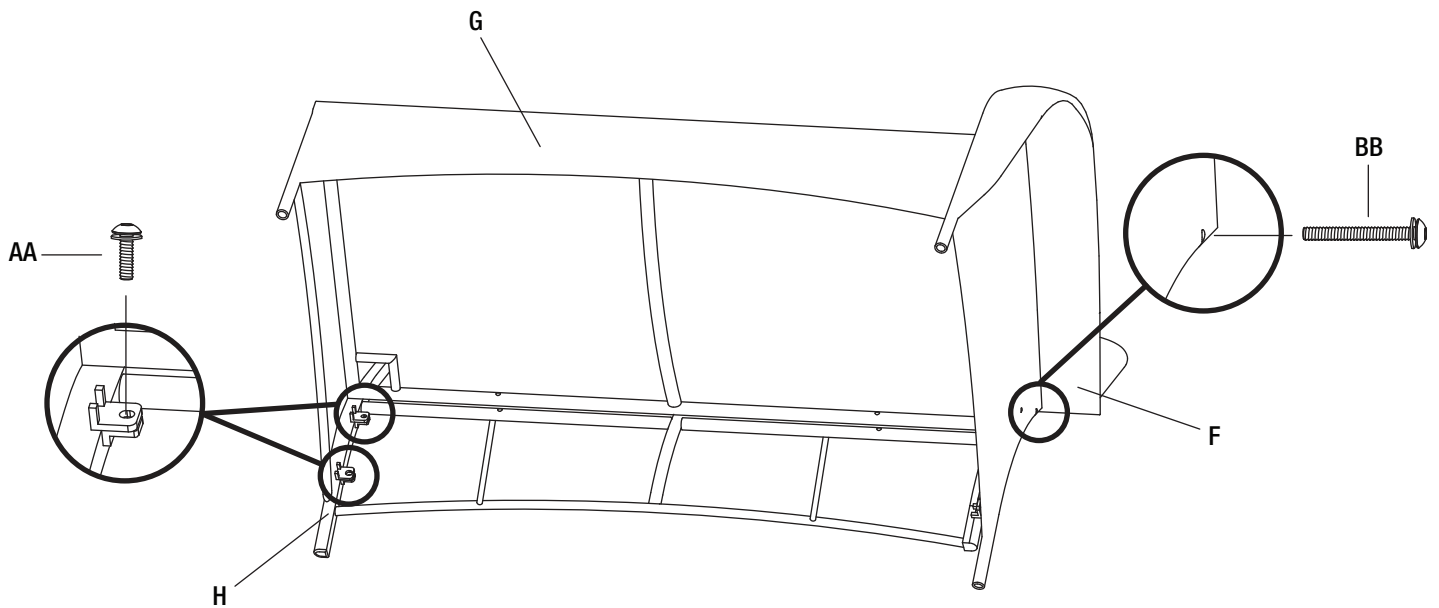
Assembly-Left Arm Loveseat (continued)

3 CONNECTING THE LEFT ARM LOVESEAT BACKREST TO THE LEFT ARM LOVESEAT SEAT AND THE LEFT ARM

- Connect the left arm loveseat backrest (H) to the left arm loveseat seat (G) using M6x20 combination bolts (AA).
- Connect the left arm loveseat backrest (H) to the left arm (F) using one M6x50 combination bolt (BB).
- Do not fully tighten the bolts at this step.



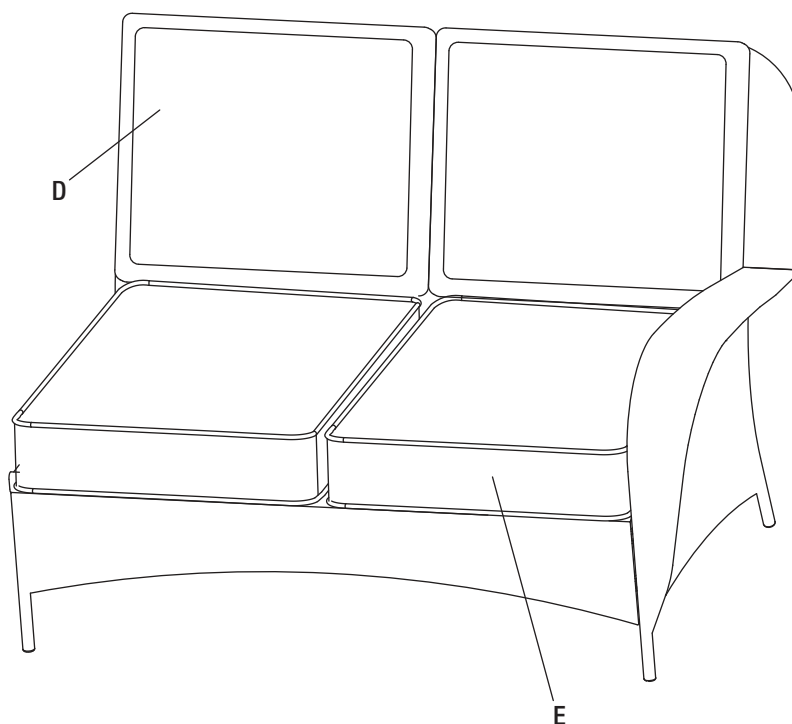
NOTE: Loosely tighten all bolts using the hex wrench (CC).



Assembly-Left Arm Loveseat (continued)

4 TIGHTENING THE BOLTS

- Once all of the bolts are in place, fully tighten the bolts.
- Turn the left arm loveseat right side up.
- Place the loveseat back cushions (D) and the loveseat seat cushions (E) onto the chair.



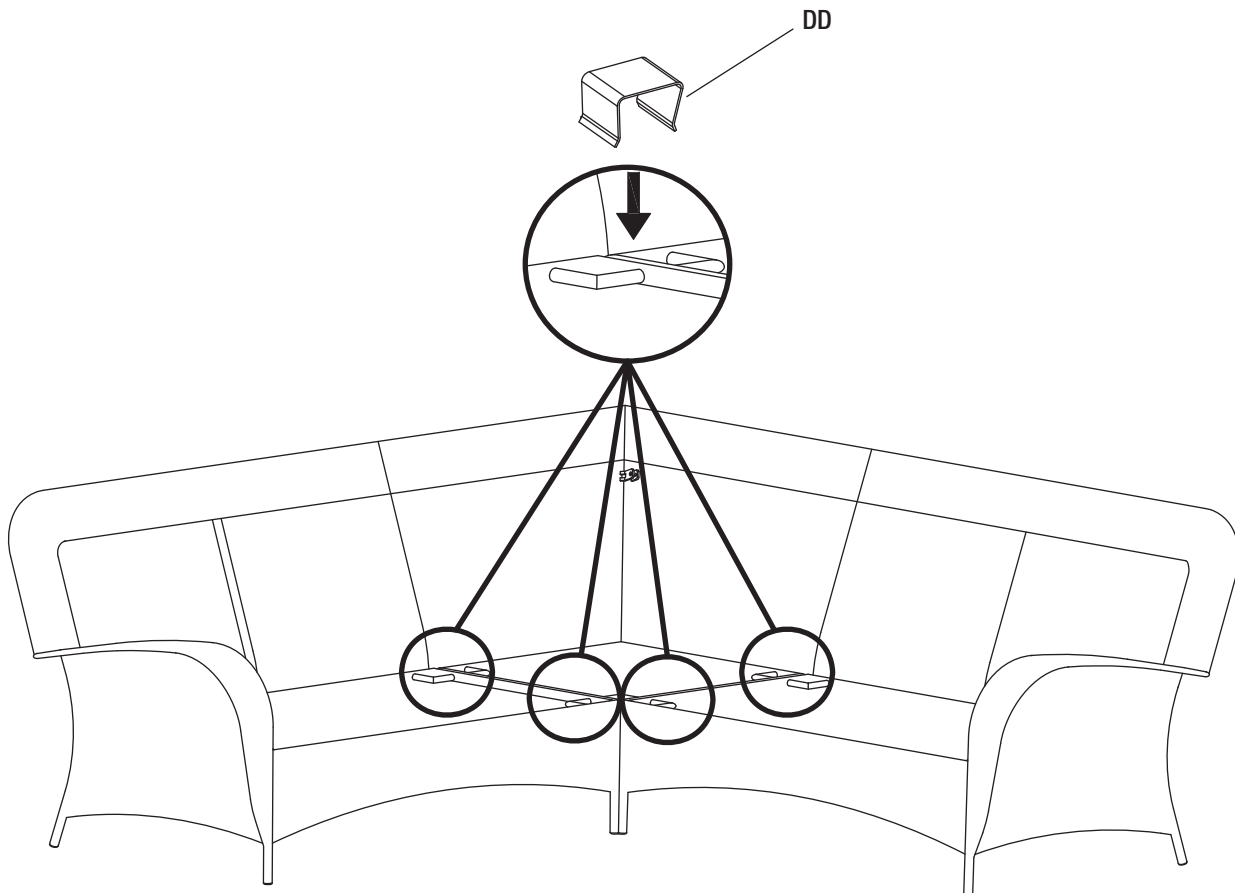
Set Assembly

1 ATTACHING THE LEFT ARM LOVESEAT AND THE RIGHT ARM LOVESEAT TO THE CORNER CHAIR

- Attach the left arm loveseat and the right arm loveseat to the corner chair using the metal clips (DD), as shown below.



NOTE: The corner chair is not included, and this step is only considerable when the corner chair is purchased from HomeDepot.com.



Care and Cleaning

- For best results, clean the chair with a damp cloth and dry thoroughly. This will help prevent mildew by removing dirt particles that may accumulate.
- Do not clean with abrasive materials, bleach, or solvents.
- Store the sectional in a dry, sheltered place when not in use.
- Keep the sectional away from fire, extreme heat, freezing conditions, and inclement weather such as rain, hail, sleet, snow, or wind.

HAMPTON BAY[®]

Questions, problems, missing parts? Before returning to the store,
call Hampton Bay Customer Service.

8 a.m. - 7 p.m., EST, Monday - Friday, 9 a.m. - 6 p.m., EST, Saturday

1-855-HD-HAMPTON

HAMPTONBAY.COM

Retain this manual for future use.

For certification use only

Factory chair ID # FRS80865BL-ST

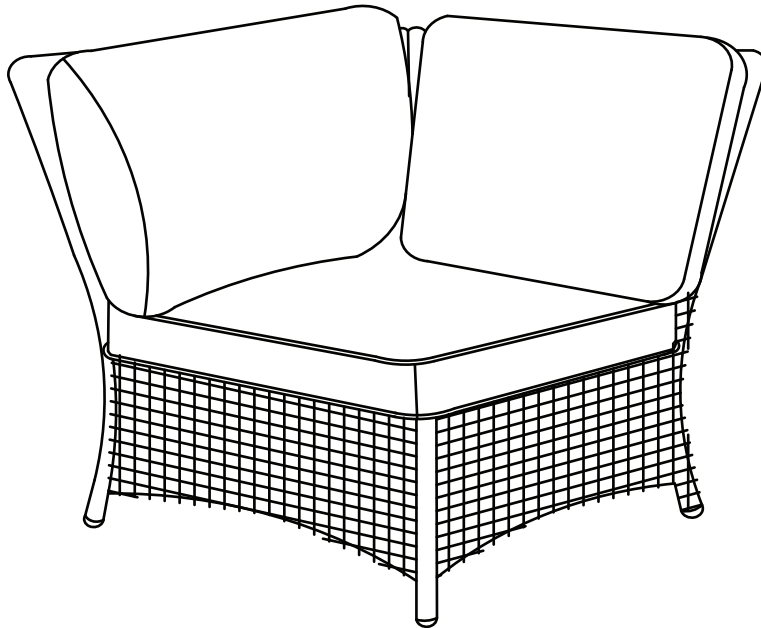
Item # 1004 041 571

Model # FRS80865BL-ST1M

HAMPTON BAY[®]

USE AND CARE GUIDE

BEACON PARK CORNER SECTIONAL CHAIR TOFFEE



Questions, problems, missing parts? Before returning to the store,
call Hampton Bay Customer Service.
8 a.m. - 7 p.m., EST, Monday - Friday, 9 a.m. - 6 p.m., EST, Saturday

1-855-HD-HAMPTON

HAMPTONBAY.COM

THANK YOU

We appreciate the trust and confidence you have placed in Hampton Bay through the purchase of this chair. We strive to continually create quality products designed to enhance your home. Visit us online to see our full line of products available for your home improvement needs. Thank you for choosing Hampton Bay!

Table of Contents

Table of Contents.....	2	Pre-Assembly	3
Important Safety Instructions	2	Planning Assembly	3
Save These Instructions	2	Hardware Included	3
Read All Instructions Before Use	2	Package Contents	4
Warranty	3	Assembly	5
What is Covered	3	Set Assembly	9
What is Not Covered	3	Care and Cleaning	9

Important Safety Instructions

SAVE THESE INSTRUCTIONS



WARNING: This chair was made for the explicit purpose of providing outdoor functions and is not to be used as a toy. This product is intended for normal outdoor use; however, the manufacturer recommends storing and / or covering this product when any formidable / severe weather is approaching.



WARNING: Do not locate this product near open flames. Do not use this product as a support. Do not shake, lean or climb on the product. Children under the age of 10, near the product, should be supervised by a competent adult at all times. This product is NOT intended for commercial use and will void the warranty.

READ ALL INSTRUCTIONS BEFORE USE

To reduce the risk of injury to persons:

1. Close supervision is necessary when this product is used by or near children, or disabled persons, if applicable.
2. Use this product only for its intended use as described in these instructions. Do not use attachments not recommended by the manufacturer.
3. Do not move the chair while the chair is occupied. Failure to obey this caution could result in injury.
4. Do not rock in the chair as you may fall and cause serious injury.
5. Please keep children out of the assembly area before assembly.



WARNING: Do not place heavy objects on the chair.



WARNING: Weight limit is 300 lbs (136.07 Kg) for the chair.



WARNING: This chair unit is heavy, and may require two adults for safe assembly.



CAUTION: Do not locate the product near any heat source.

Warranty

3 YEAR FRAME AND 3 YEAR FABRIC LIMITED WARRANTY

WHAT IS COVERED

We warrant the frames to be free of manufacturing defects to the original purchaser for three years, and a three year limited warranty for the fabric.

WHAT IS NOT COVERED

It remains the customer's responsibility for freight and packaging charges to and from our service center. This warranty does not cover commercial use, hardware, acts of nature, fire, freezing and abusive use. In addition, purchased parts are not covered under this warranty. We reserve the right to make substitutions with similar merchandise, if the model in question is no longer in production.

Contact the Customer Service Team at 1-855-HD-HAMPTON or visit www.HamptonBay.com.

Pre-Assembly

PLANNING ASSEMBLY

Read all instructions before assembly.

To avoid damaging this product, assemble it on a soft, non-abrasive surface such as carpet or cardboard.

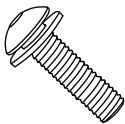


NOTE: More than one person may be required to assemble this product.

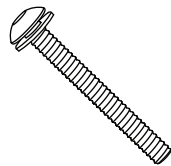
HARDWARE INCLUDED



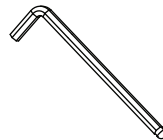
NOTE: Hardware not shown to actual size.



AA



BB



CC

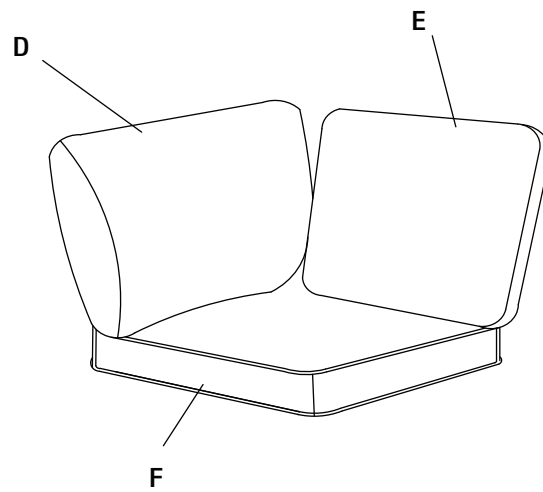
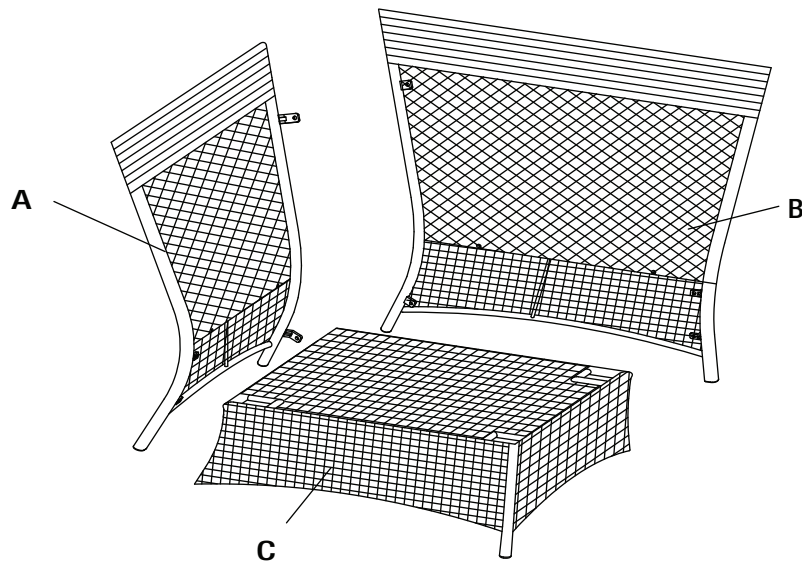


DD

Part	Description	Quantity
AA	M6x20 combination bolt	6+1
BB	M6x50 combination bolt	4+1
CC	Hex wrench	1
DD	Metal clip	2

Pre-Assembly (continued)

PACKAGE CONTENTS



Part	Description	Quantity
A	Corner chair backrest 1	1
B	Corner chair backrest 2	1
C	Corner chair seat	1
D	Corner chair back cushion 1	1
E	Corner chair back cushion 2	1
F	Corner chair seat cushion	1

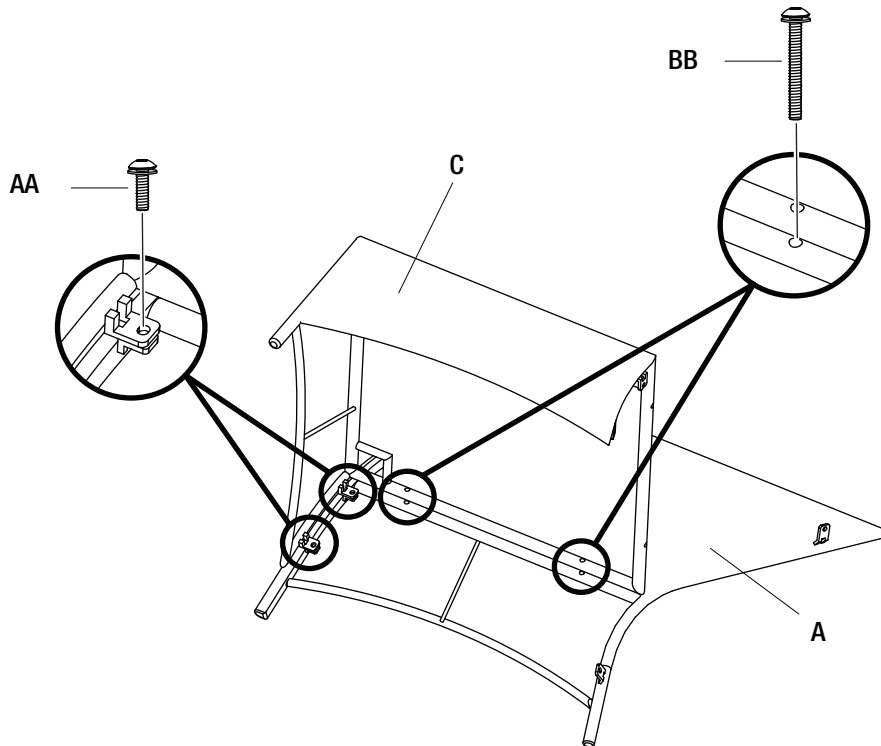
Assembly

1 ATTACHING THE CORNER CHAIR SEAT TO THE CORNER CHAIR BACKREST 1

- Place the corner chair backrest 1 (A) on a soft surface.
- Attach the corner chair seat (C) to the corner chair backrest 1 (A) using M6x20 combination bolts (AA) and M6x50 combination bolts (BB).
- Do not fully tighten all the bolts at this step.



NOTE: Loosely tighten all bolts using the hex wrench (CC).



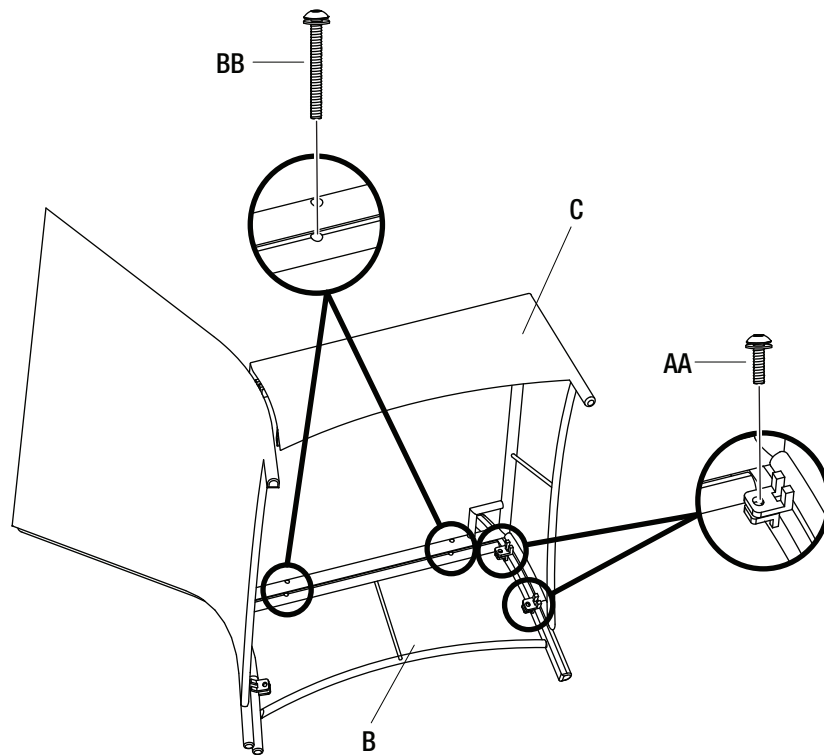
Assembly (continued)

2 ATTACHING THE CORNER CHAIR SEAT TO THE CORNER CHAIR BACKREST 2

- Place the corner chair backrest 2 (B) on a soft surface.
- Attach the corner chair seat (C) to the corner chair backrest 2 (B) using M6x20 combination bolts (AA) and M6x50 combination bolts (BB).
- Do not fully tighten all the bolts at this step.



NOTE: Loosely tighten all bolts using the hex wrench (CC).



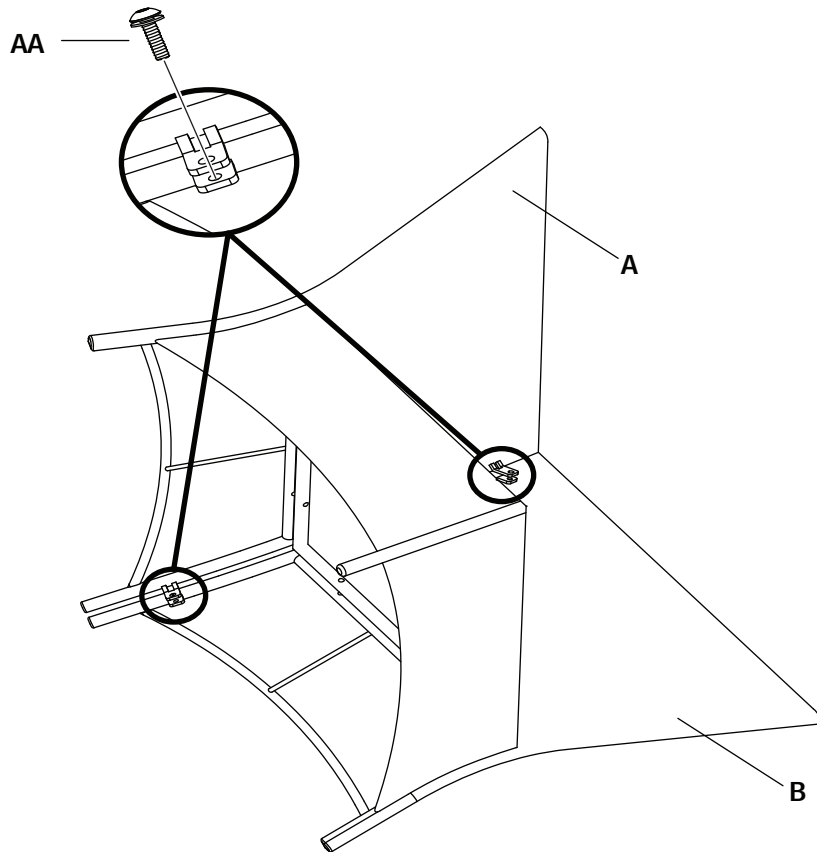
Assembly (continued)

3 CONNECTING THE CORNER CHAIR BACKREST 1 TO THE CORNER CHAIR BACKREST 2

- Connect the corner chair backrest 1 (A) to the corner chair backrest 2 (B) using M6x20 combination bolts (AA).
- Do not fully tighten all the bolts at this step.



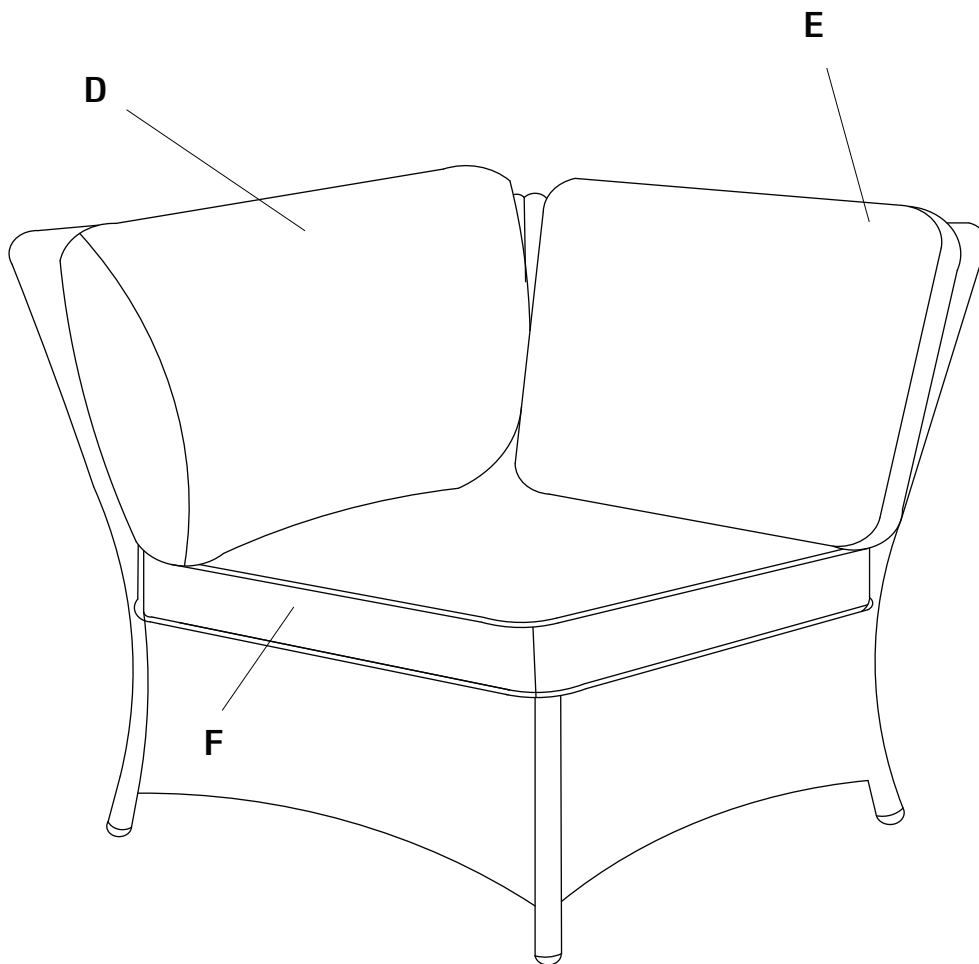
NOTE: Loosely tighten all bolts using the hex wrench (CC).



Assembly (continued)

4 TIGHTENING THE BOLTS

- Once all of the bolts are in place, fully tighten the bolts.
- Turn the corner chair right side up.
- Place the corner chair back cushion 1 (D), corner chair back cushion 2 (E) and corner chair seat cushion (F) onto the chair to finish the assembly of the chair.



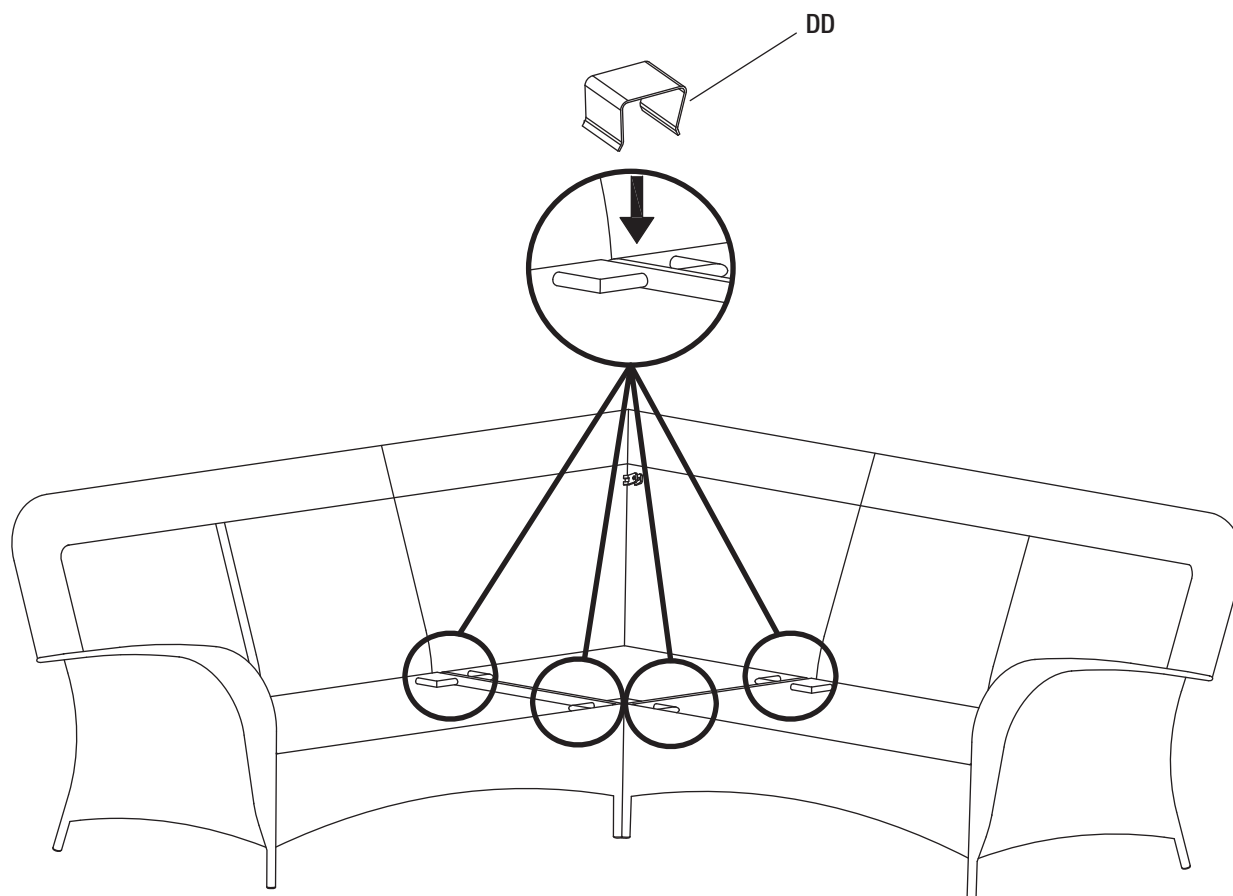
Set Assembly

1 ATTACHING THE LEFT ARM LOVESEAT AND THE RIGHT ARM LOVESEAT TO THE CORNER CHAIR

- Attach the left arm loveseat and the right arm loveseat to the corner chair using the metal clips (DD), as shown below.



NOTE: Left and right chairs are not included, and this step is only considerable when the left and right chairs are purchased from HomeDepot.com.



Care and Cleaning

- For best results, clean the chair with a damp cloth and dry thoroughly. This will help prevent mildew by removing dirt particles that may accumulate.
- Do not clean with abrasive materials, bleach, or solvents.
- Store the corner chair in a dry, sheltered place when not in use.
- Keep the corner chair away from fire, extreme heat, freezing conditions, and inclement weather such as rain, hail, sleet, snow, or wind.

HAMPTON BAY[®]

Questions, problems, missing parts? Before returning to the store,
call Hampton Bay Customer Service.
8 a.m. - 7 p.m., EST, Monday - Friday, 9 a.m. - 6 p.m., EST, Saturday

1-855-HD-HAMPTON

HAMPTONBAY.COM

Retain this manual for future use.

For certification use only

Factory chair ID # FRS80865BL-ST
