



Cimarron® Comfort Height® The Complete Solution®

Two-piece round-front 1.28 gpf chair-height toilet
K-31668

Features

- Two-piece design.
- Round-front bowl offers an ideal solution for smaller baths and powder rooms.
- Comfort Height® feature offers chair-height seating that makes sitting down and standing up easier for most adults.
- 1.28 gpf (4.8 lpf).
- Left-hand Polished Chrome trip lever.
- 2-1/8" (54 mm) fully-glazed trapway.
- Revolution 360® swirl-flushing technology generates a forceful swirling motion to keep the bowl clean longer.
- Sanitary guard where bowl and tank meet for ease of cleaning.
- The Complete Solution® toilets provide everything you need in one box, including bowl, tank, seat, wax ring, supply line, and floor hardware.
- CleanCoat™ technology inhibits the growth of water scale and mineral stains for improved ease of cleaning.

Technology

- AquaPiston® canister optimizes the flow out of the tank, harnessing gravity and the natural powerful reducing cascade of water to increase the power and effectiveness of the flush.
- Easy-to-flush canister design requires less force to actuate than a 3" (76 mm) flapper, and has 90% less exposed seal material which resists conditions that cause wear, tear, shrinkage and swelling.

Installation

- Standard 12" (305 mm) rough-in.
- Supply line sold separately.

Included Components

Additional Components:
Slow-close seat



ADA **CSA B651** **OBC**

Codes/Standards

ASME A112.19.2/CSA B45.1
DOE - Energy Policy Act 1992
EPA WaterSense®
California Energy Commission (CEC)
ADA
ICC/ANSI A117.1
CSA B651
OBC

KOHLER® Toilets and Seats Limited Warranty

See website for detailed warranty information.

Available Colors/Finishes

Color tiles intended for reference only.

Color Code Description

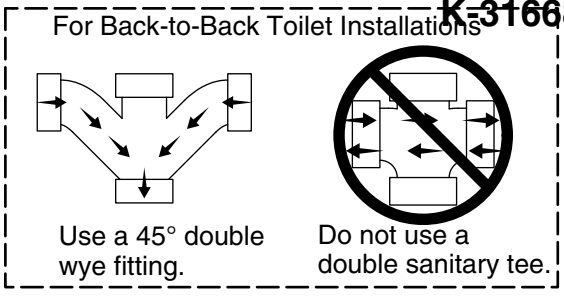
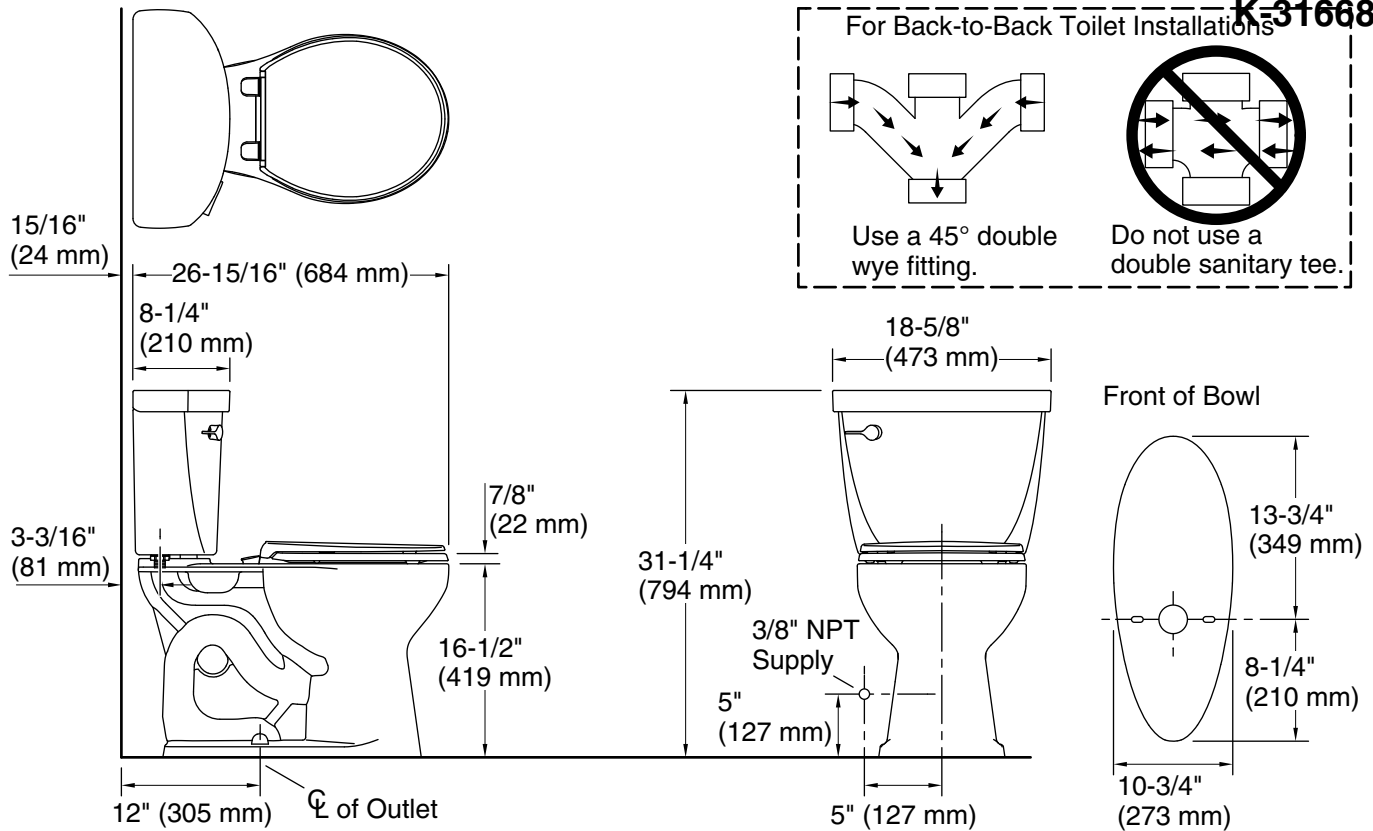
■ 0 White



Cimarron® Comfort Height® The Complete Solution®

Two-piece round-front 1.28 gpf chair-height toilet

K-31668



Technical Information

All product dimensions are nominal.

- Waste Outlet: Floor
- Bowl shape: Round-front
- Trap passageway: 2-1/8" (54 mm)
- Rim to water surface: 6-5/8" (168 mm)
- Seat-mounting holes: 5-1/2" (140 mm)

Notes

- Install this product according to the installation instructions.
- For back-to-back toilet installations: Use only a 45° double wye fitting.
- ADA, OBC, CSA B651 compliant when installed to the specific requirements of these regulations.
- Plumbing codes may require elongated toilets and elongated, open-front seats in public bathrooms.
- Accessibility standards may require controls to be located on the open side of the toilet.